



US00D569564S

(12) **United States Design Patent**  
**Labarbera**

(10) **Patent No.:** **US D569,564 S**

(45) **Date of Patent:** **\*\* May 20, 2008**

(54) **MULTI-PERFORATED NOZZLE HEAD FOR  
CARPET AND FLOOR CLEANERS**

D538,494 S \* 3/2007 Varga ..... D32/42  
2002/0116784 A1 \* 8/2002 Sumner ..... 15/322  
2007/0028412 A1 \* 2/2007 Carter et al. .... 15/321

(76) Inventor: **John F. Labarbera**, 12655 Stowe Rd.,  
Poway, CA (US) 92064-6673

(\*\*) Term: **14 Years**

(21) Appl. No.: **29/263,511**

(22) Filed: **Jul. 24, 2006**

(51) **LOC (8) Cl.** ..... **15-05**

(52) **U.S. Cl.** ..... **D32/32**

(58) **Field of Classification Search** ..... D32/21-25,  
D32/31-33, 40-42, 45, 50-51; 15/244.1,  
15/209.1, 228, 350-353, 361, 320-322, 400-401,  
15/412-414, 415.1-422, 422.1, 327.1-327.7,  
15/245, 246.2, 246.3, 250.001; D12/220;  
401/138, 268

See application file for complete search history.

(56) **References Cited**

**U.S. PATENT DOCUMENTS**

D232,298 S \* 8/1974 Jones ..... D32/32  
D242,211 S \* 11/1976 Parise ..... D32/32  
D246,523 S \* 11/1977 Bartlett ..... D32/32  
D255,359 S \* 6/1980 Bartlett ..... D32/32  
6,263,539 B1 \* 7/2001 Baig ..... 15/322  
6,266,892 B1 \* 7/2001 Haynie ..... 34/84  
D448,131 S \* 9/2001 Ver Haar ..... D32/54  
6,298,577 B1 \* 10/2001 Haynie ..... 34/84  
6,560,818 B1 \* 5/2003 Hasko ..... 15/321  
D516,262 S \* 2/2006 Cowdery ..... D32/50

**OTHER PUBLICATIONS**

SM100 Spinmaster, Retrieved from Internet on Jul. 8, 2007.  
Retrieved from <<http://www.mytee.com/products/product.php?id=SM100>>.\*

Parish single and dual jet wand. Retrieved from Internet on Jul. 8,  
2007. Retrieved from <[http://www.parish-supply.com/xlt60\\_tool\\_kit.htm](http://www.parish-supply.com/xlt60_tool_kit.htm)>.\*

\* cited by examiner

*Primary Examiner*—Ruth McInroy

(74) *Attorney, Agent, or Firm*—Willie Krawitz

(57) **CLAIM**

The ornamental design for a multi-perforated nozzle head for  
carpet and floor cleaners, as shown and described.

**DESCRIPTION**

FIG. 1 is a perspective of a multi-perforated nozzle head for  
carpet and floor cleaners, showing my design;

FIG. 2 is a top plan view thereof;

FIG. 3 is a front elevation view thereof;

FIG. 4 is a rear elevation view thereof;

FIG. 5 is a bottom plan view thereof;

FIG. 6 is a left side elevation view thereof; and,

FIG. 7 is a right side elevation view thereof.

**1 Claim, 3 Drawing Sheets**

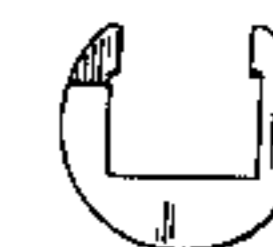
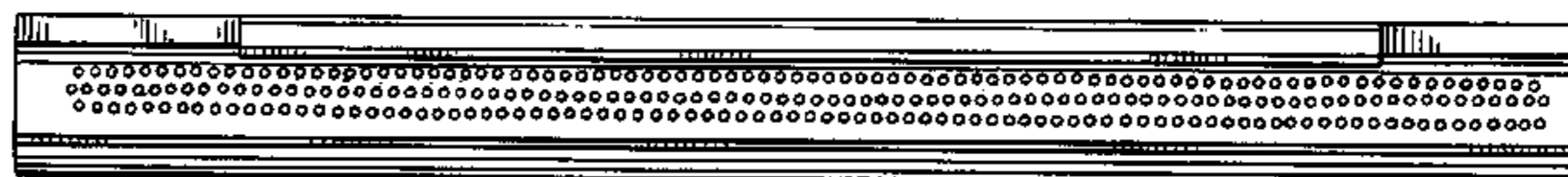
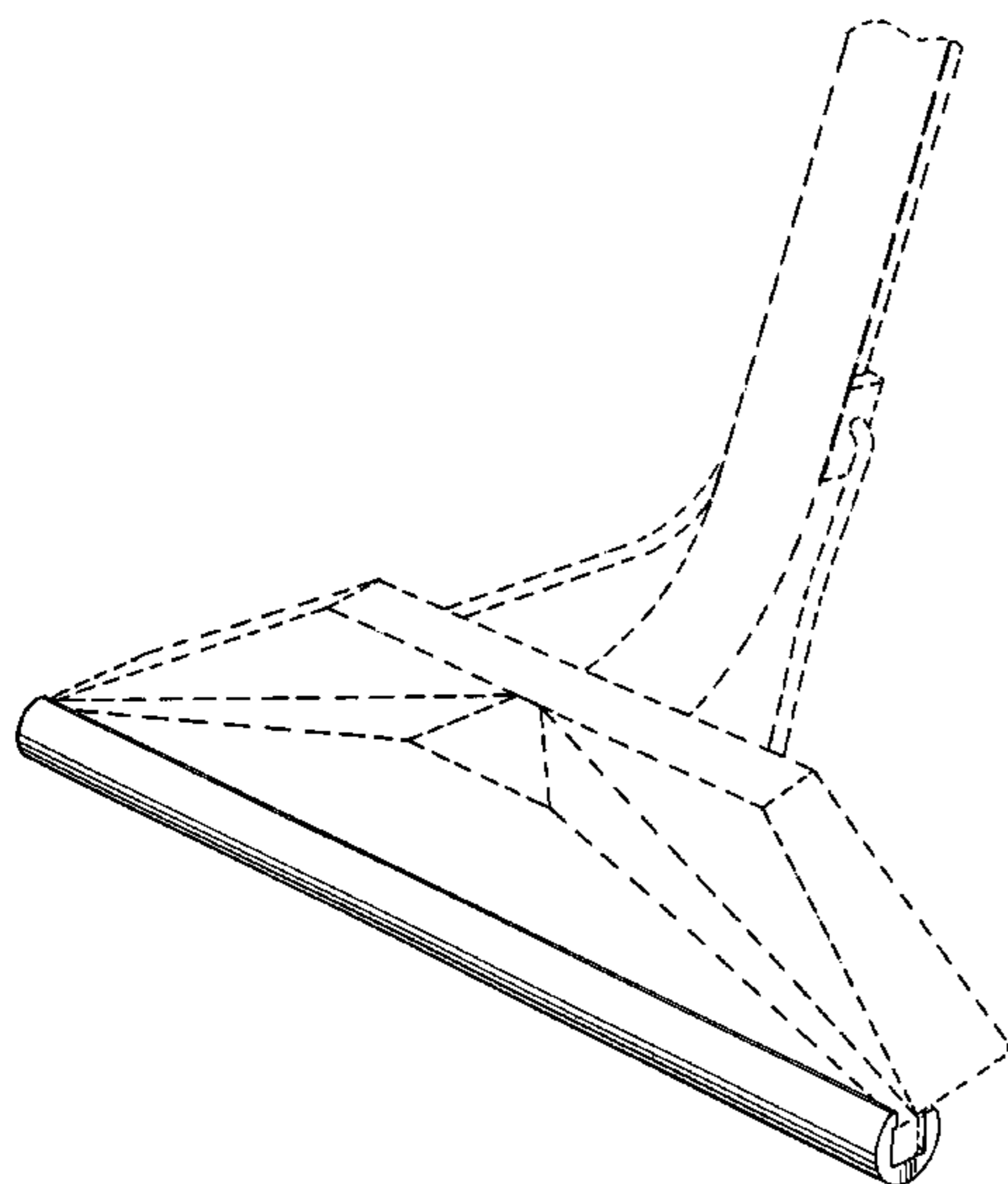
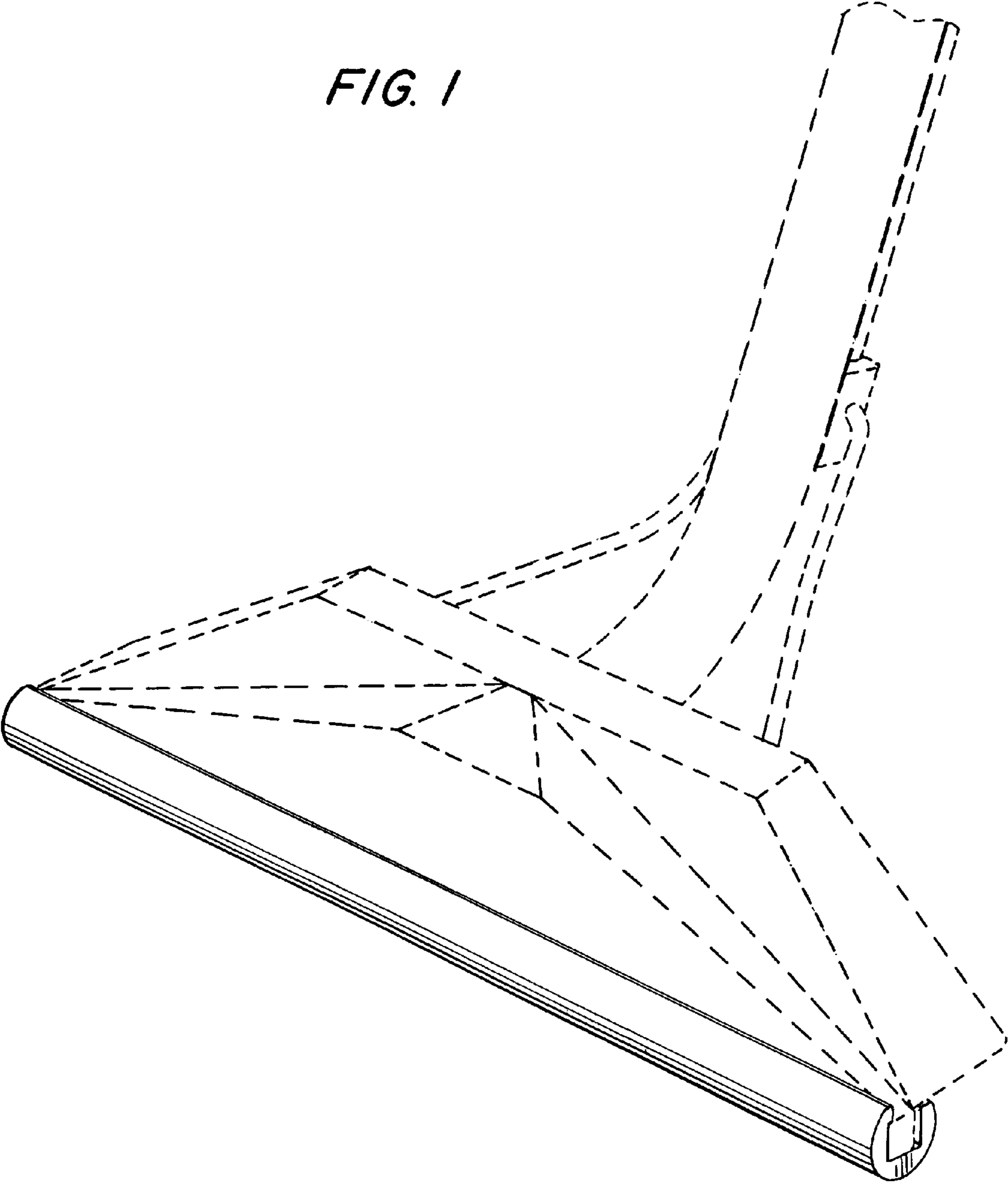
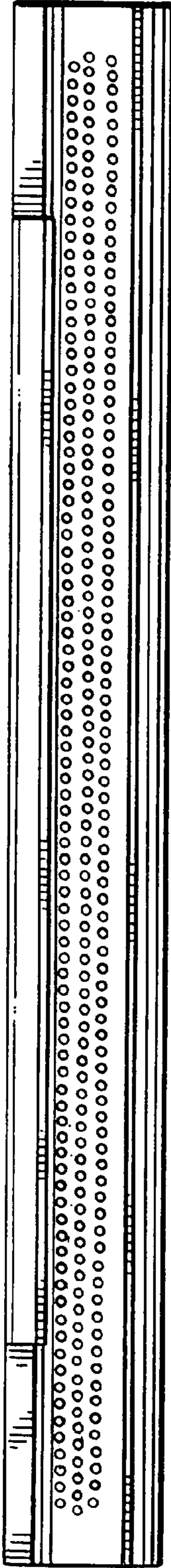


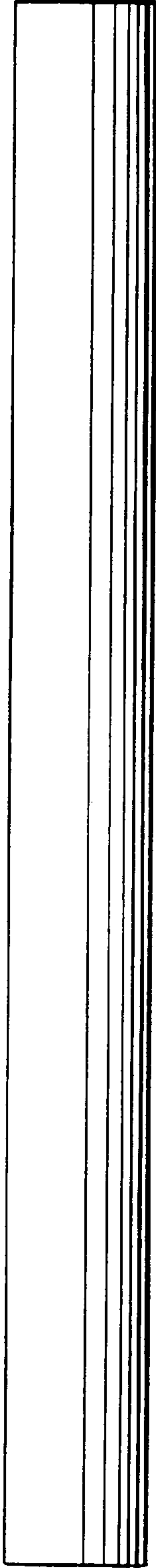
FIG. 1



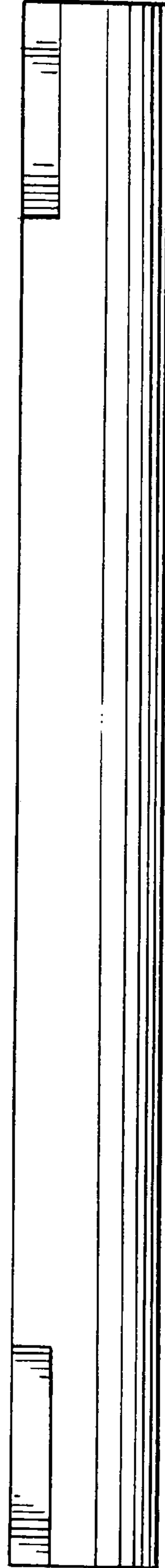
*FIG. 2*



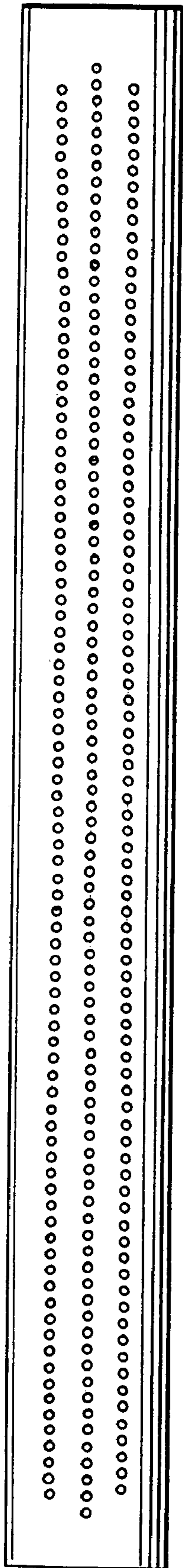
*FIG. 3*



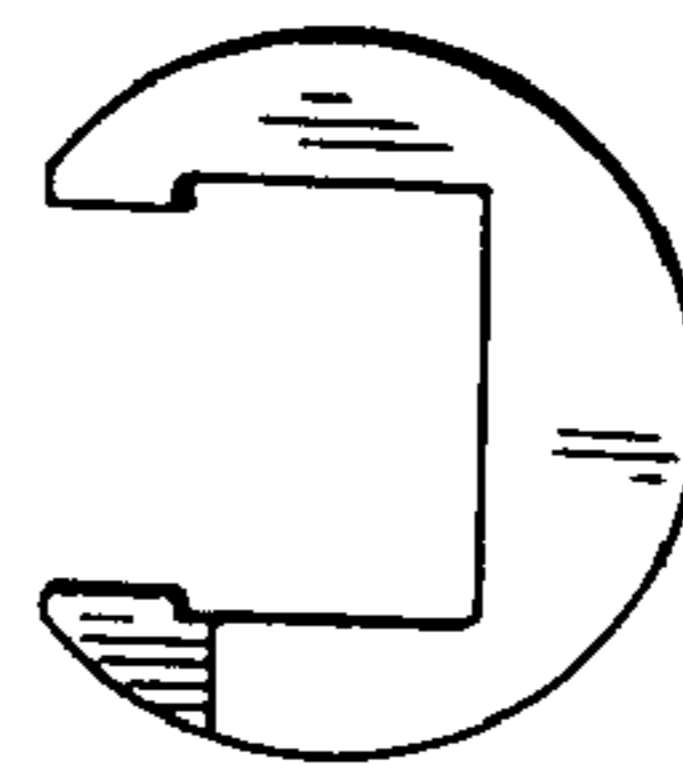
*FIG. 4*



*FIG. 5*



*FIG. 6*



*FIG. 7*

