



US00D569563S

(12) **United States Design Patent**
Shin et al.

(10) **Patent No.:** **US D569,563 S**

(45) **Date of Patent:** **** May 20, 2008**

(54) **VACUUM CLEANER**

D544,158 S * 6/2007 Bobrosky D32/32

(75) Inventors: **Jae Hyoung Shin**, Seoul (KR); **Jin Sik Kim**, Seoul (KR)

* cited by examiner

Primary Examiner—Ruth McInroy

(73) Assignee: **Bukang Sems Co., Ltd** (KR)

(74) *Attorney, Agent, or Firm*—Knobbe Martens Olson & Bear LLP

(**) Term: **14 Years**

(21) Appl. No.: **29/280,024**

(57) **CLAIM**

(22) Filed: **May 14, 2007**

We claim the ornamental design for a vacuum cleaner, as shown and described.

(30) **Foreign Application Priority Data**

DESCRIPTION

Nov. 14, 2006 (KR) 30-2006-0045301

(51) **LOC (8) Cl.** **15-05**

(52) **U.S. Cl.** **D32/18; D32/32**

(58) **Field of Classification Search** D32/17–18,
D32/21–22, 31–33; 15/320–321, 329, 344,
15/347, 350–353, 331, 338, 412, 415.1–422,
15/422.1; 55/429, DIG. 3

FIG. 1 is a perspective view of a vacuum cleaner in accordance with an embodiment of the present invention; FIG. 2 is a front view of the vacuum cleaner of FIG. 1; FIG. 3 is a rear view of the vacuum cleaner of FIG. 1; FIG. 4 is a left side view of the vacuum cleaner of FIG. 1; FIG. 5 is a right side view of the vacuum cleaner of FIG. 1; FIG. 6 is a top plan view of the vacuum cleaner of FIG. 1; and, FIG. 7 is a bottom plan view of the vacuum cleaner of FIG. 1.

See application file for complete search history.

(56) **References Cited**

The broken lines in the Figures are for illustrative purposes only and form no part of the claimed design.

U.S. PATENT DOCUMENTS

D458,719 S * 6/2002 Waldron et al. D32/21
6,430,773 B1 * 8/2002 Buron et al. 15/420
D465,623 S * 11/2002 Main et al. D32/22
6,836,931 B2 * 1/2005 Bone 15/352

1 Claim, 5 Drawing Sheets

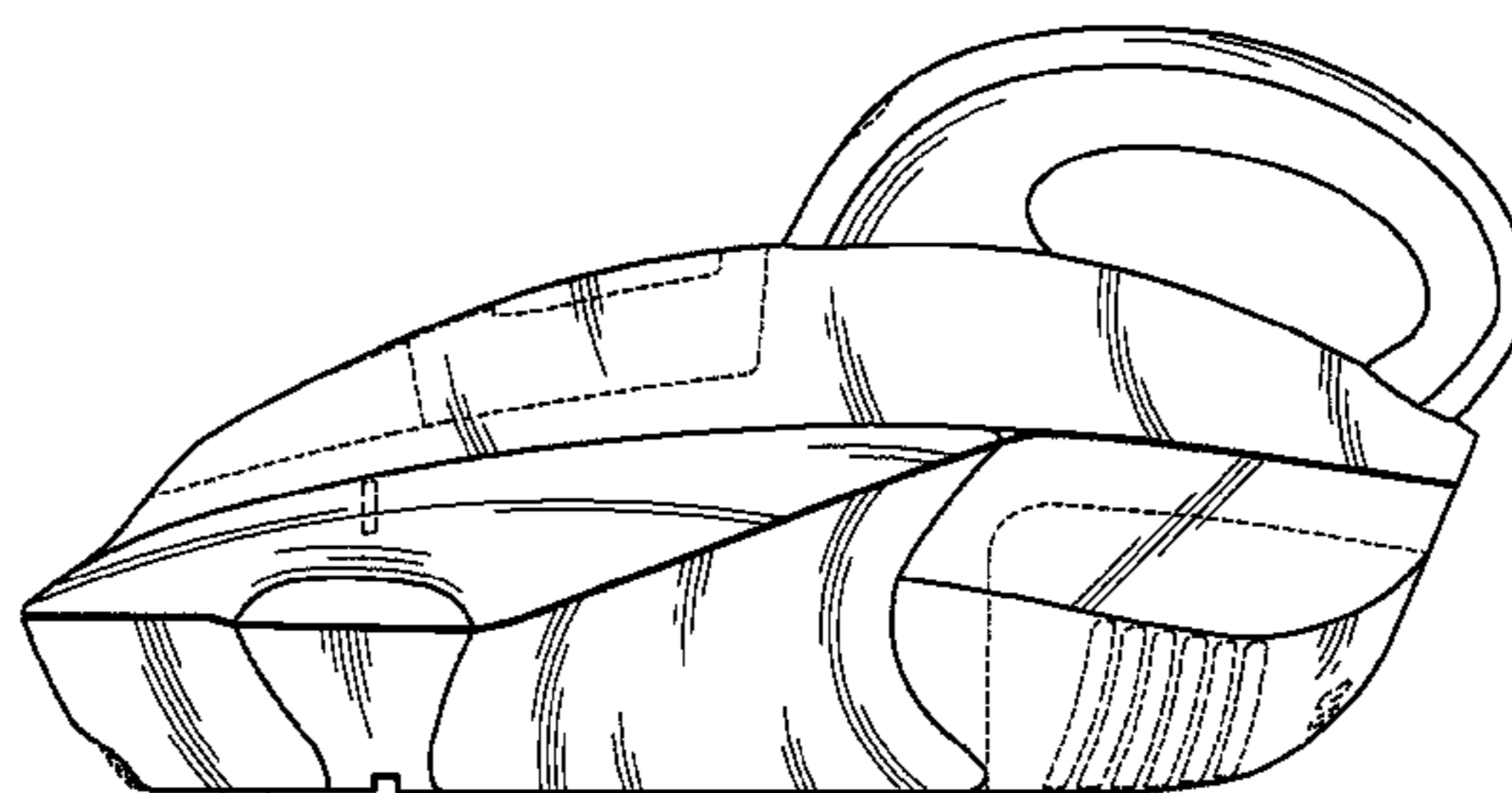
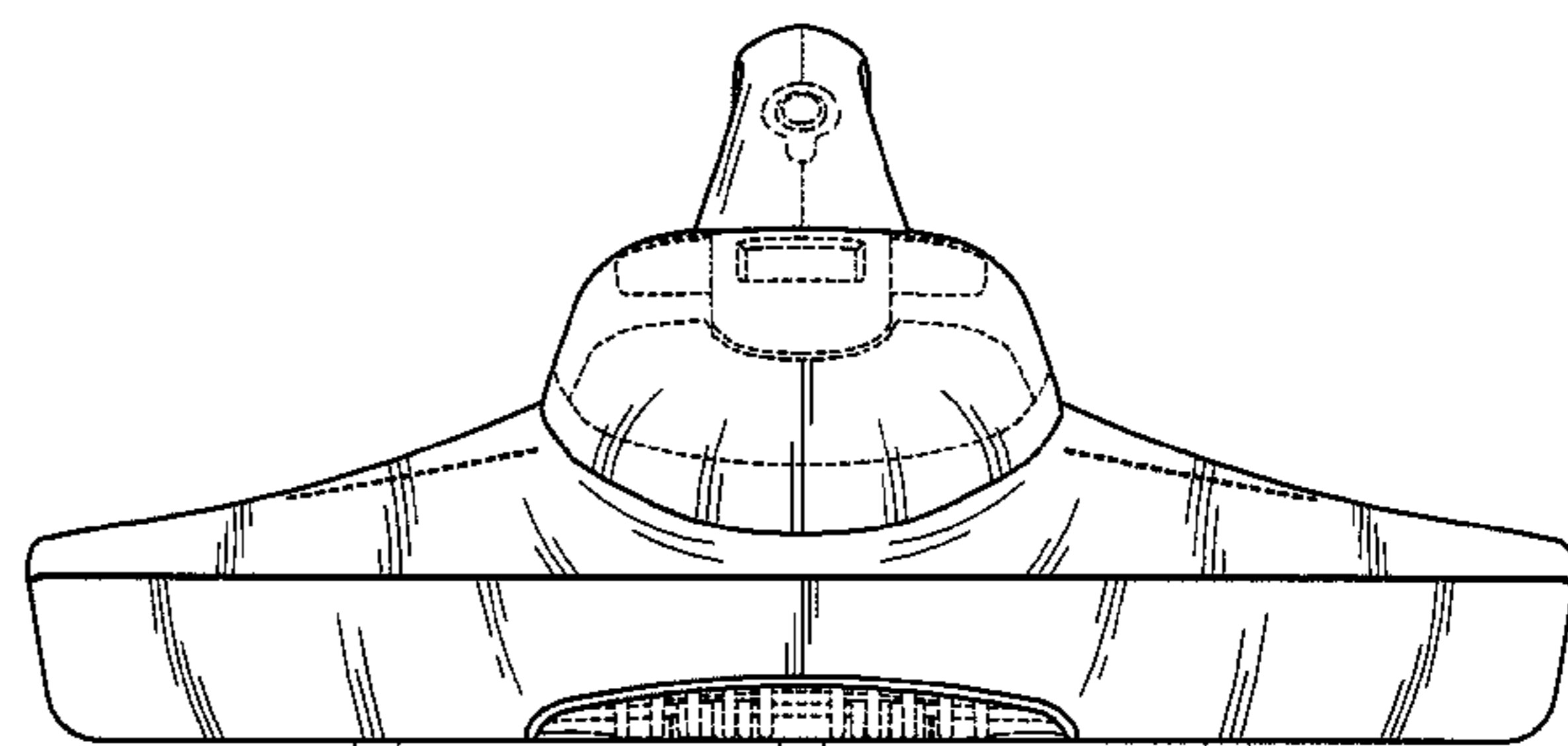
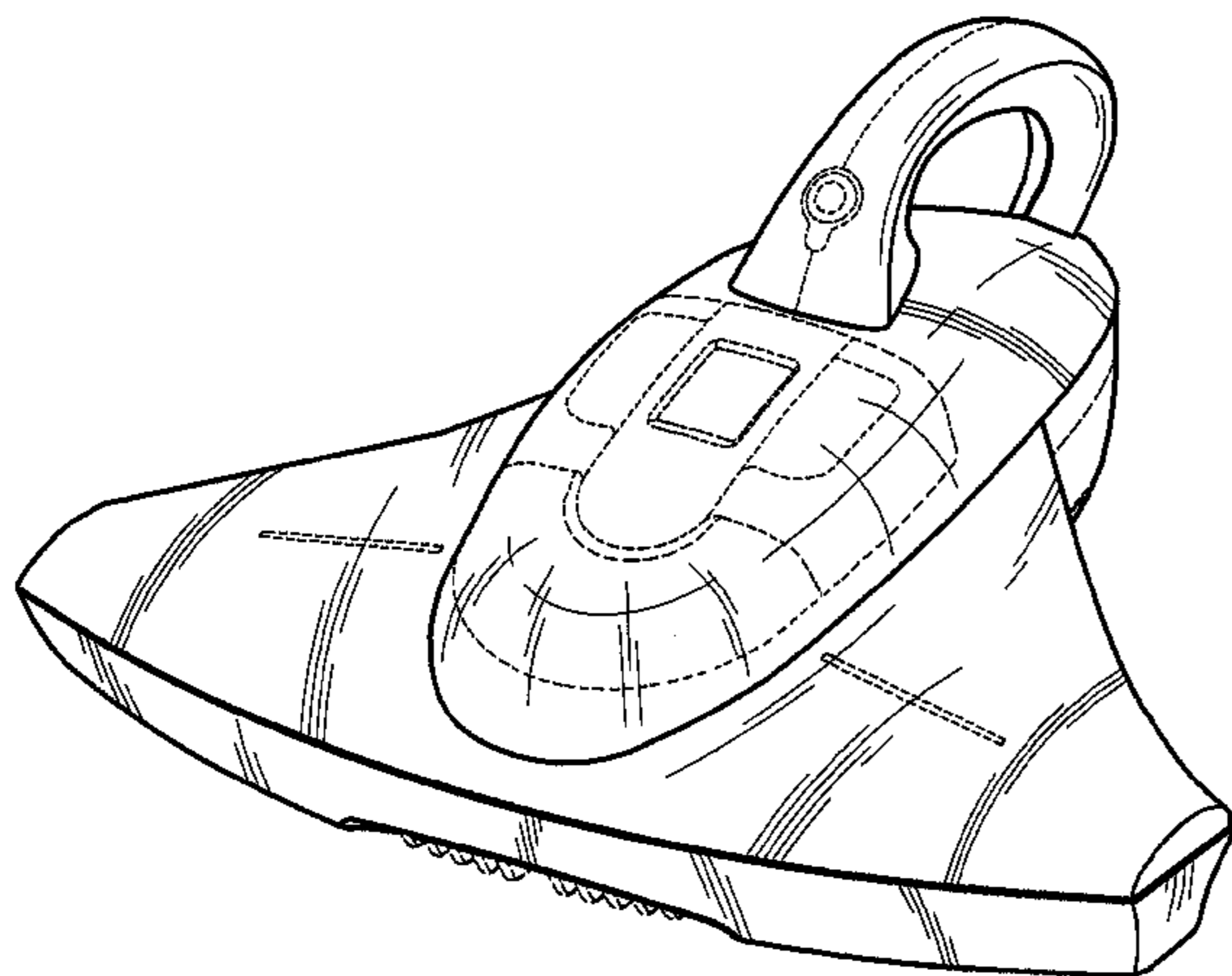


Figure 1

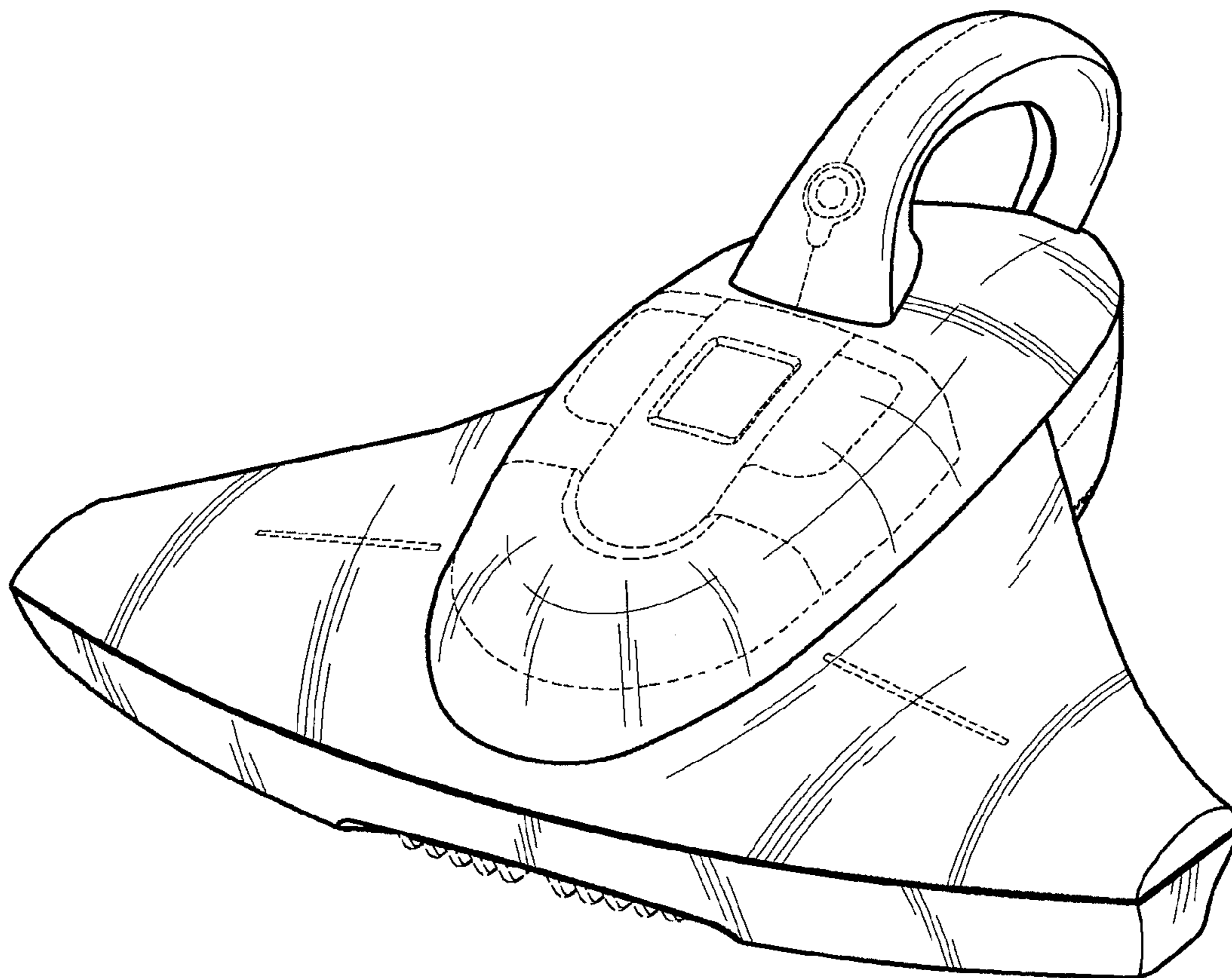


Figure 2

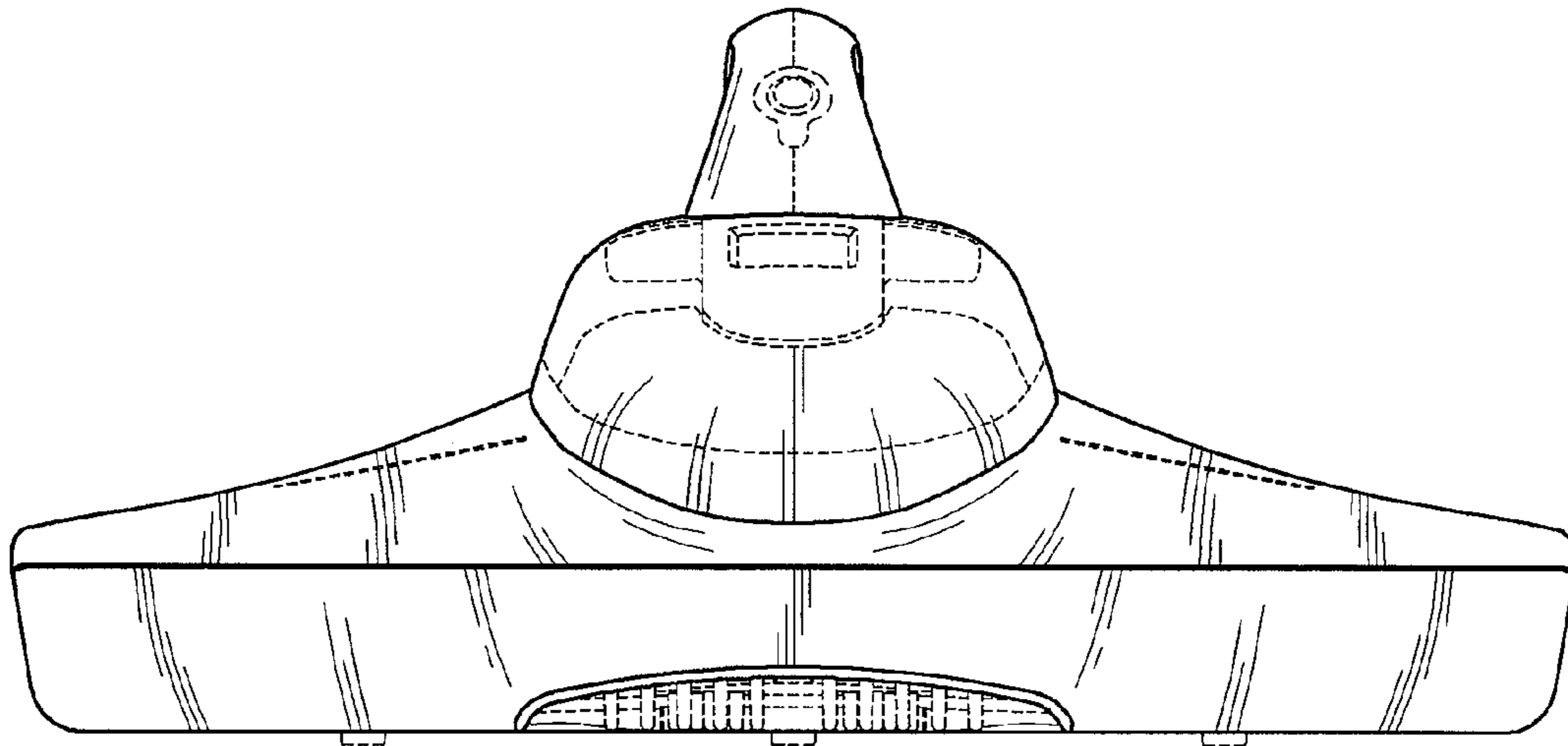


Figure 3

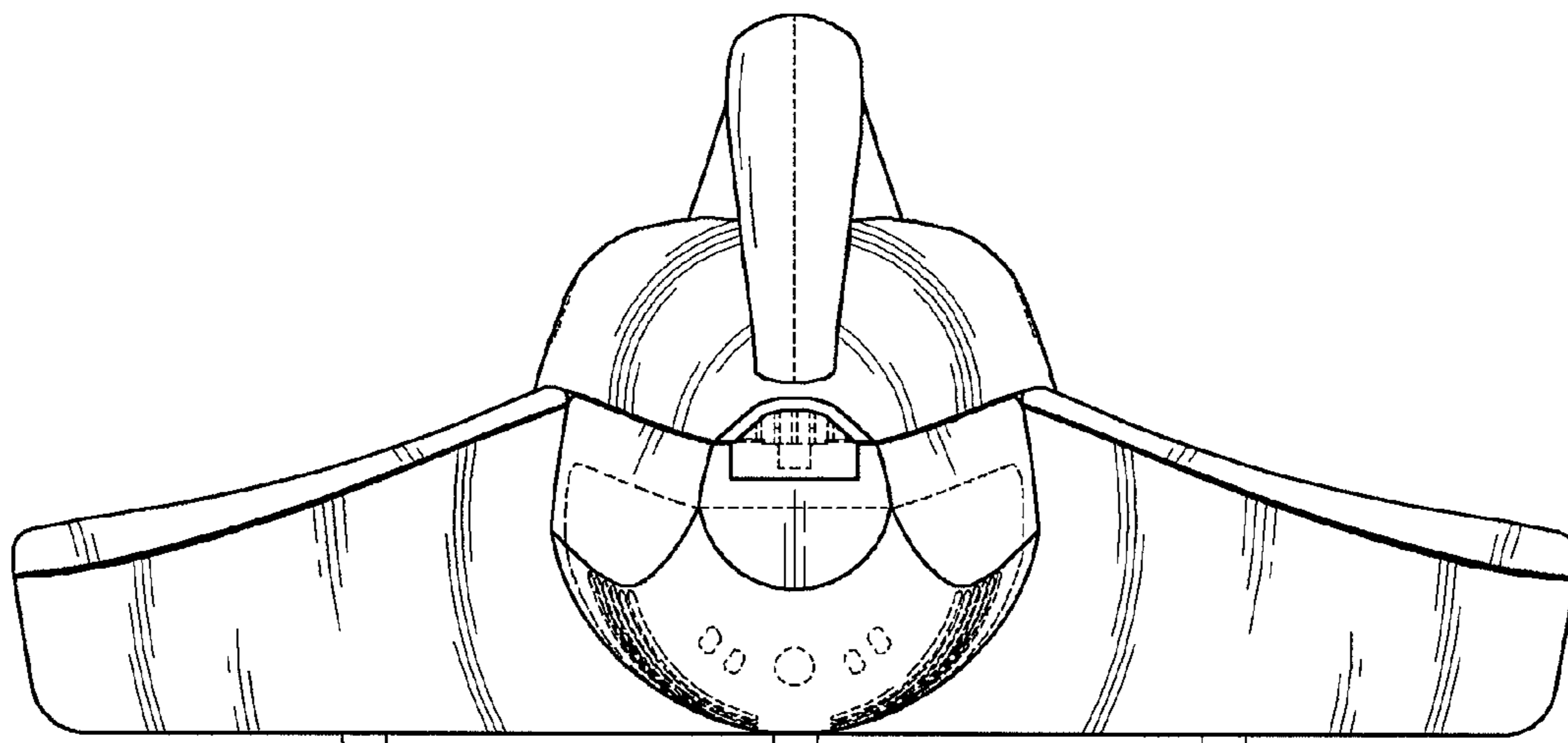


Figure 4

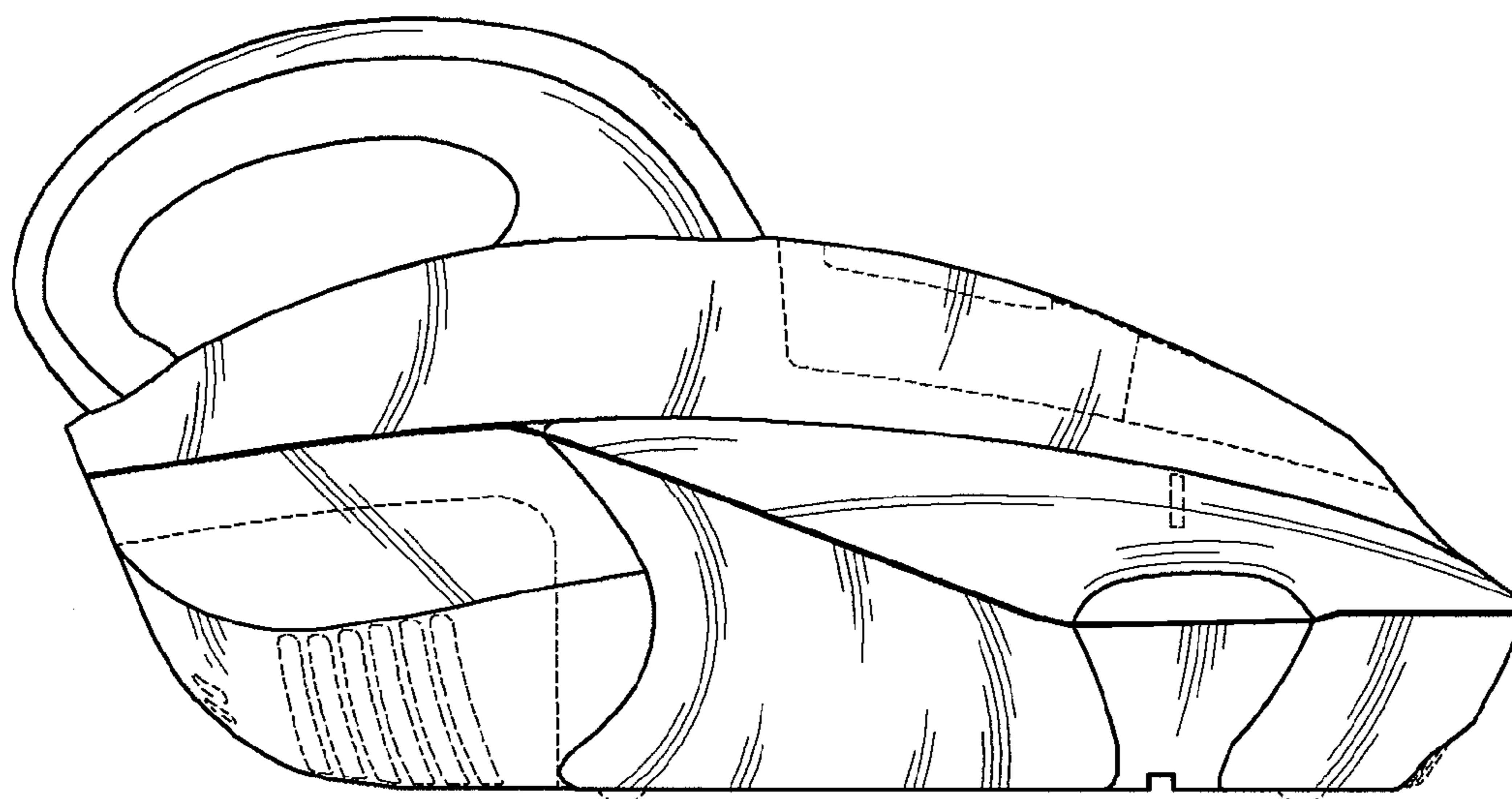


Figure 5

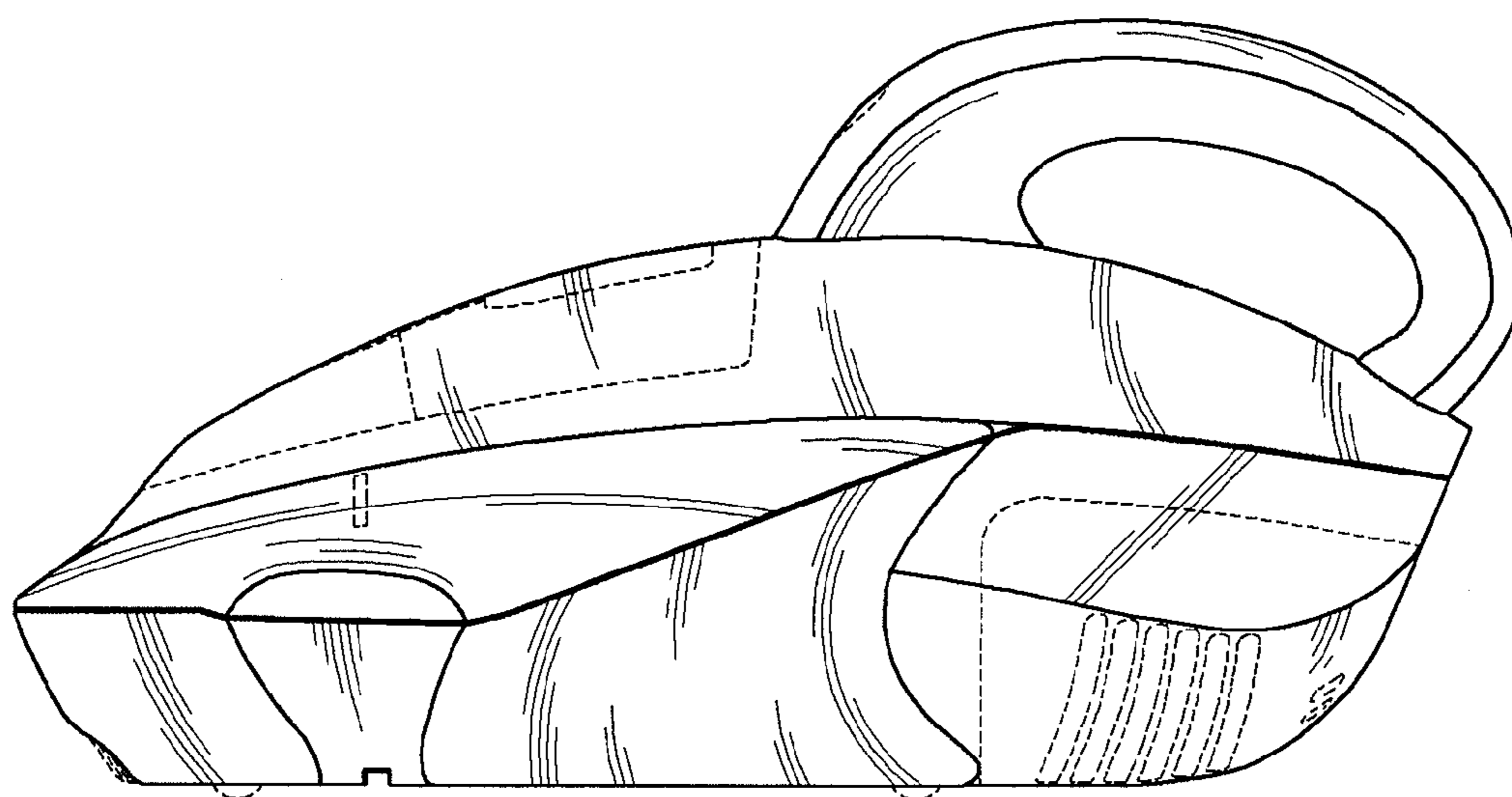


Figure 6

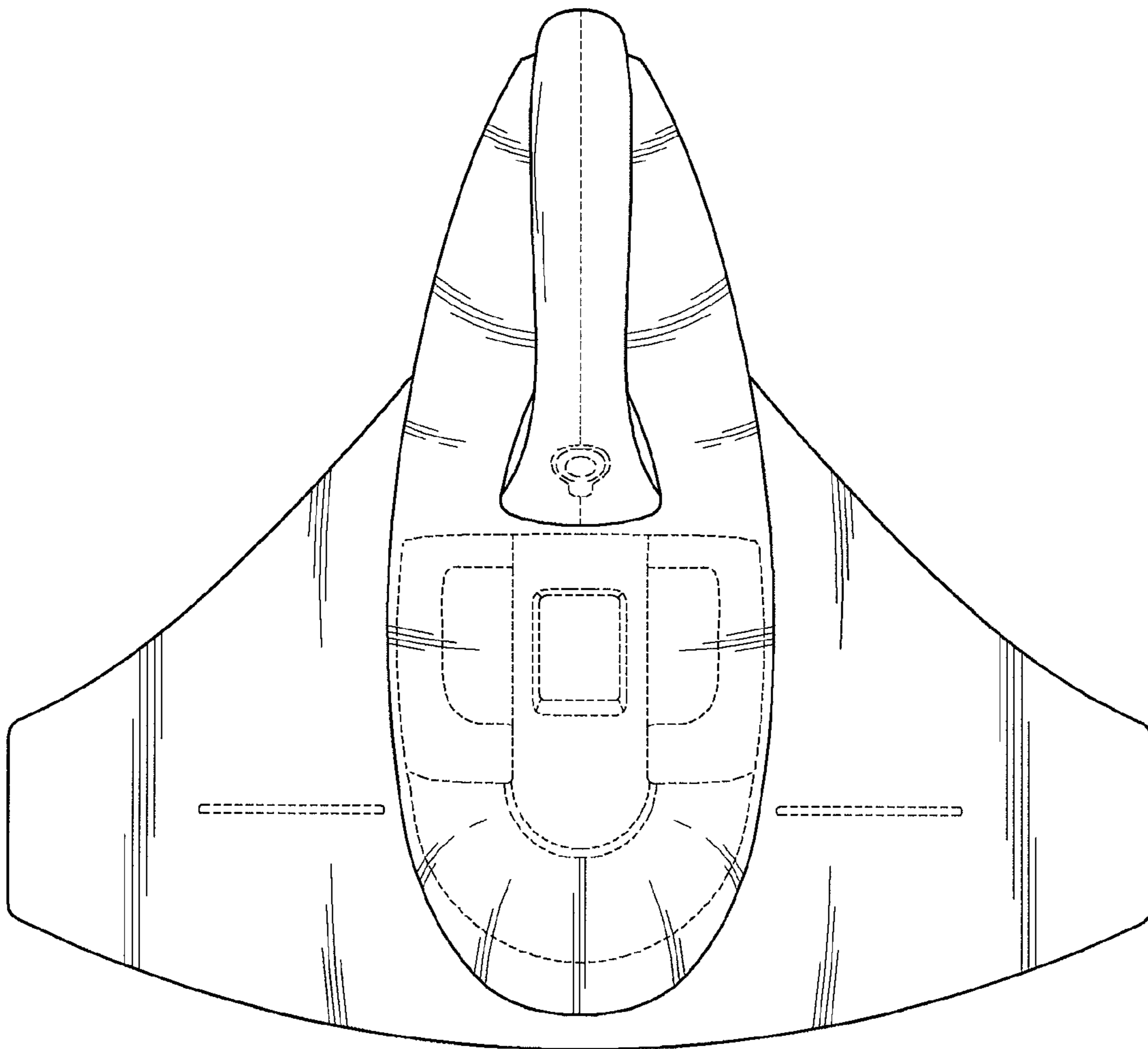


Figure 7

