



US00D569562S

(12) **United States Design Patent**
Nazimek

(10) **Patent No.:** **US D569,562 S**

(45) **Date of Patent:** **** May 20, 2008**

(54) **DOG TOY**

(76) Inventor: **Jill Nazimek**, 200 Skyline Dr., Golden,
CO (US) 80403

(**) Term: **14 Years**

(21) Appl. No.: **29/265,585**

(22) Filed: **Sep. 1, 2006**

(51) **LOC (8) Cl.** **30-99**

(52) **U.S. Cl.** **D30/160**

(58) **Field of Classification Search** D30/160;
119/700, 702-703, 706-711; D21/390, 408,
D21/443, 681; D24/193-195; 446/46; 473/570,
473/588

See application file for complete search history.

(56) **References Cited**

U.S. PATENT DOCUMENTS

1,962,927	A *	6/1934	De Bats	473/588
3,026,110	A *	3/1962	Hess et al.	473/570
4,115,946	A *	9/1978	Vukmirovich	473/588
4,253,672	A *	3/1981	Milzoff et al.	473/588
4,919,083	A *	4/1990	Axelrod	119/710
5,078,637	A *	1/1992	McFarland	446/46
5,092,608	A *	3/1992	Snipes	473/588
5,254,077	A *	10/1993	Nottingham et al.	446/46
D345,586	S *	3/1994	Hanna	D21/443
D357,983	S *	5/1995	Abrams	D24/195
D359,600	S *	6/1995	Hotta et al.	D30/160
5,476,405	A *	12/1995	Clayborne	D30/160
5,522,780	A *	6/1996	Roddy	473/588

D387,513	S *	12/1997	Mauldin, Jr.	D30/160
D480,438	S *	10/2003	Walkow	D21/681
6,725,809	B1 *	4/2004	Olgin	119/710
D512,541	S *	12/2005	Byrne	D30/160
D517,125	S *	3/2006	Crasnick	D21/390
D529,668	S *	10/2006	Wang	D30/160
D548,409	S *	8/2007	Renforth et al.	D30/160
2003/0008594	A1 *	1/2003	Frybarger	446/46

* cited by examiner

Primary Examiner—Cathy Anne MacCormac
(74) *Attorney, Agent, or Firm*—Margaret Polson; Patent
Law Offices of Rick Martin, P.C.

(57) **CLAIM**

The ornamental design for a dog toy, as shown and described.

DESCRIPTION

FIG. 1 is a perspective view of the dog toy of the present invention;

FIG. 2 is a front view thereof;

FIG. 3 is a rear view thereof;

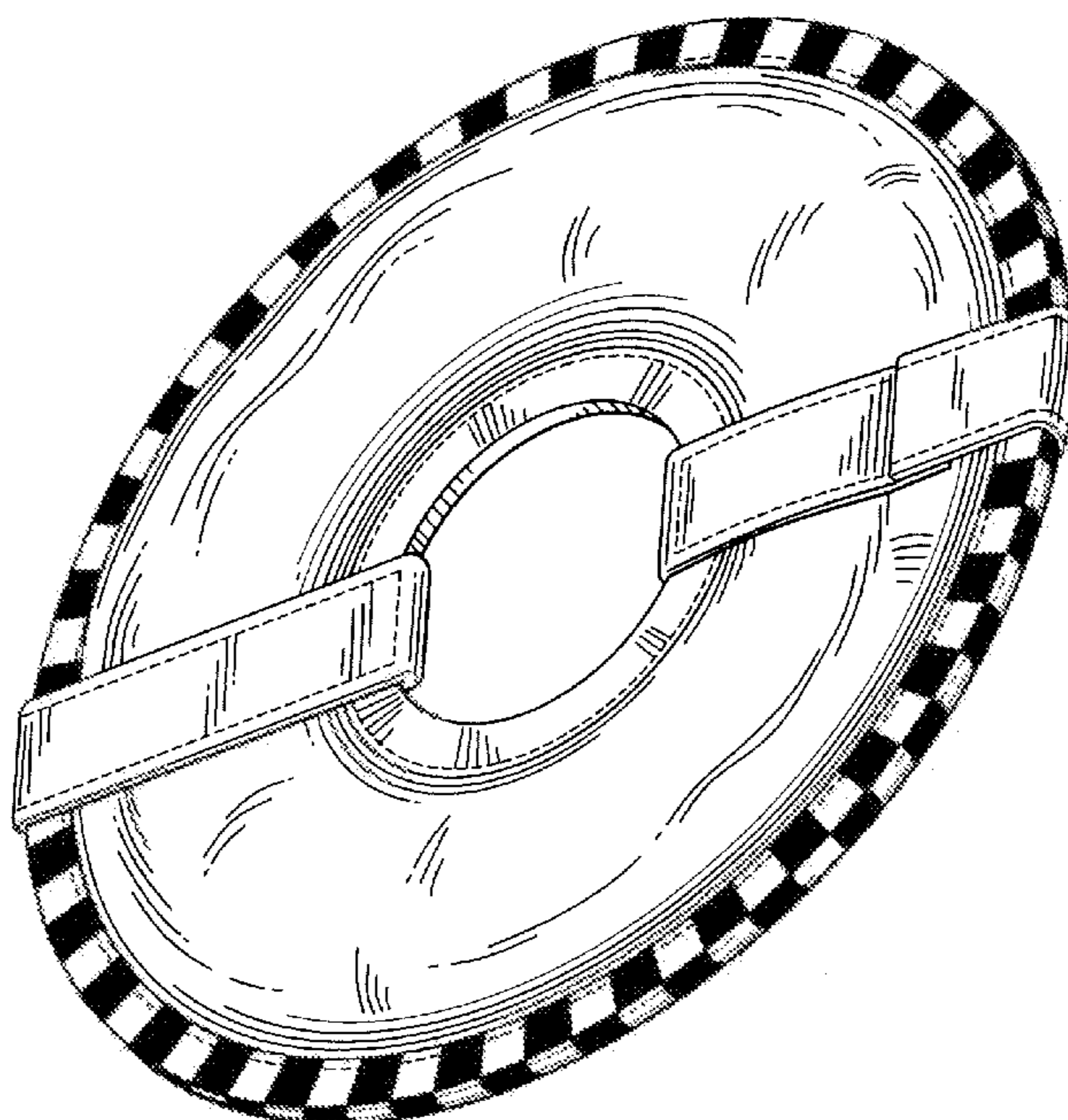
FIG. 4 is a right side view thereof;

FIG. 5 is a left side view thereof;

FIG. 6 is a top view thereof; and,

FIG. 7 is a bottom view thereof, with the strap in an alternate position.

1 Claim, 3 Drawing Sheets



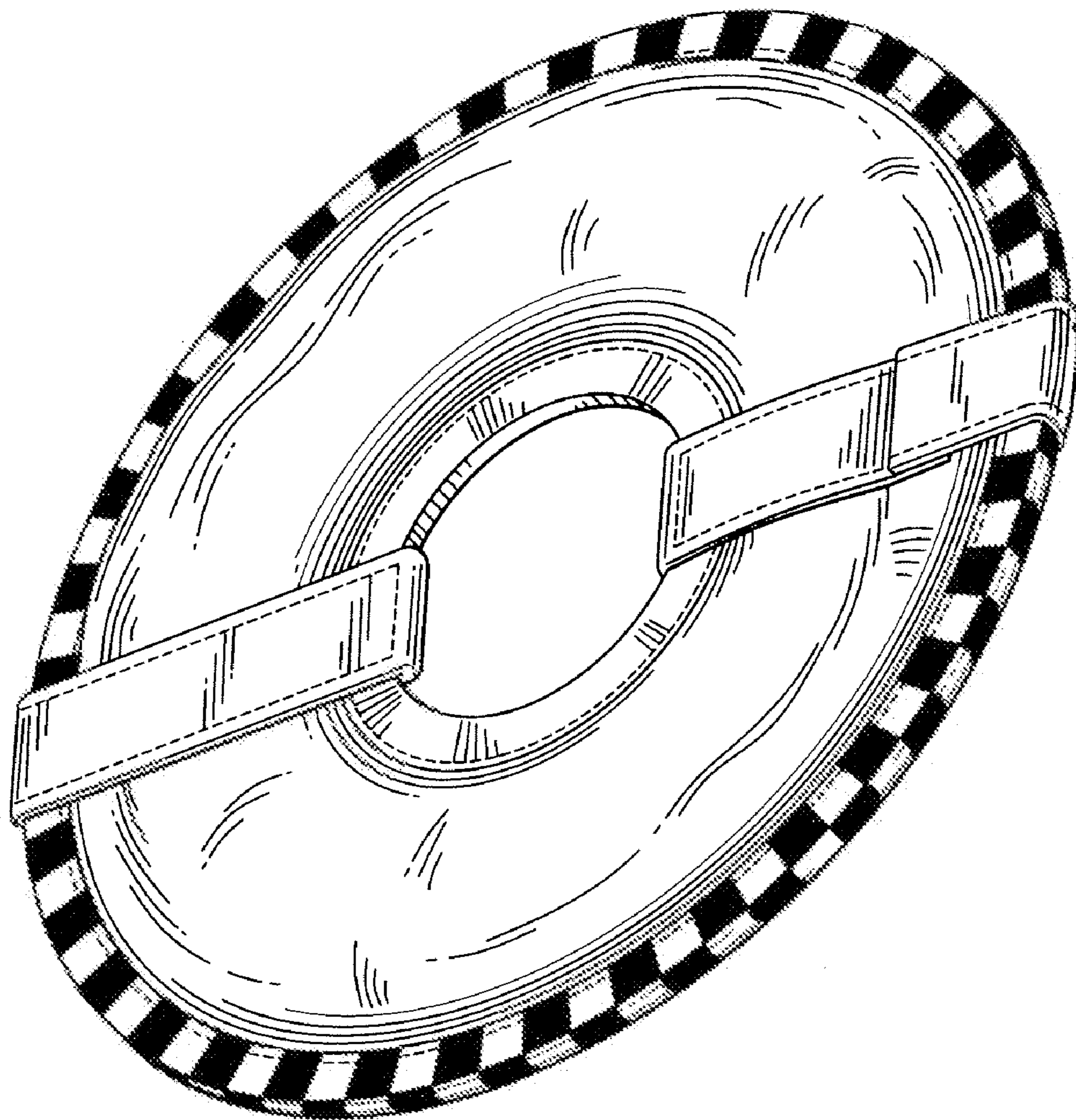


FIG.1

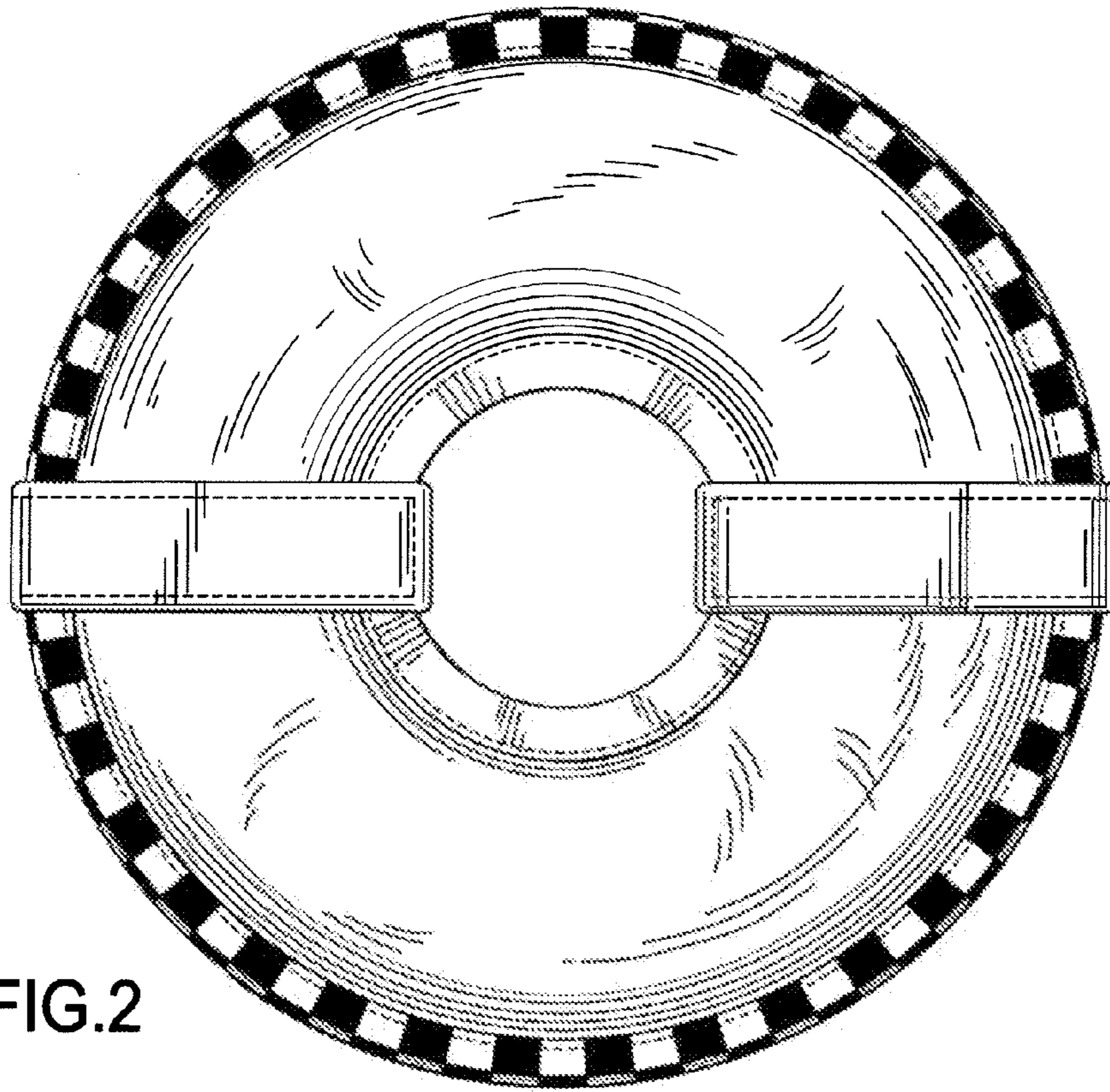


FIG.2

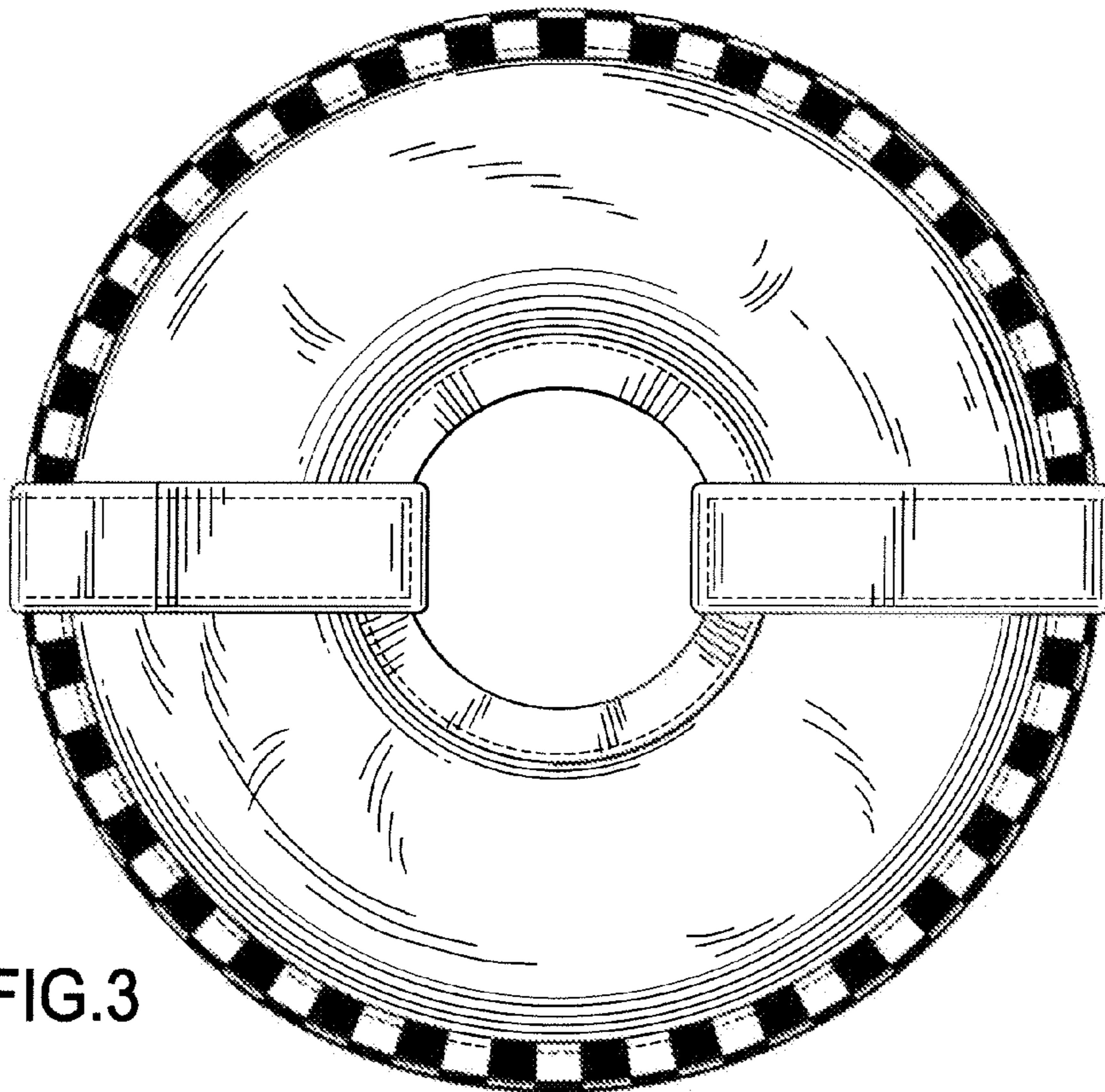


FIG.3

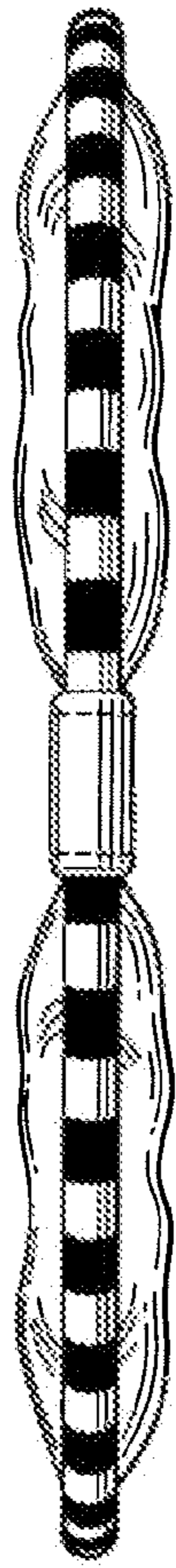


FIG. 4

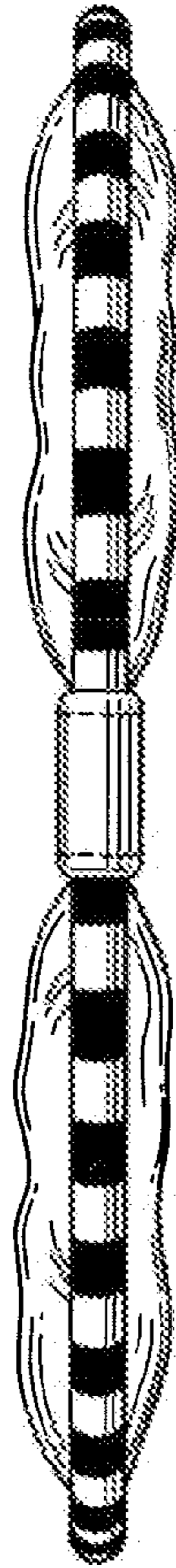


FIG. 5



FIG. 6

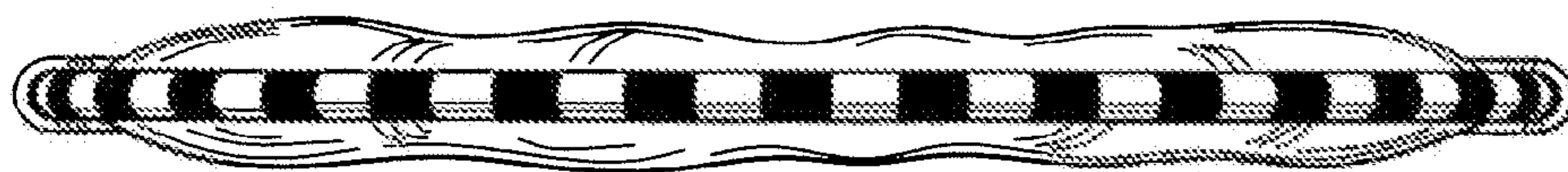


FIG. 7