



US00D569559S

(12) **United States Design Patent** (10) **Patent No.:** **US D569,559 S**
Ragonetti et al. (45) **Date of Patent:** **** May 20, 2008**

(54) **BIRDCAGE ATTACHMENT**

(75) Inventors: **Peter Ragonetti**, Brooklyn, NY (US);
Ryan Rutherford, Rutherford, NJ
(US); **Jonathan Willinger**, Tenafly, NJ
(US)

(73) Assignee: **JW Pet Compnay Inc.**, Teterboro, NJ
(US)

(**) Term: **14 Years**

(21) Appl. No.: **29/291,518**

(22) Filed: **Aug. 31, 2007**

Related U.S. Application Data

(60) Division of application No. 29/266,260, filed on Sep. 15, 2006, now Pat. No. Des. 554,299, which is a continuation-in-part of application No. 29/264,790, filed on Aug. 17, 2006, now Pat. No. Des. 554,298, which is a division of application No. 29/230,071, filed on May 16, 2005, now Pat. No. Des. 530,866, which is a division of application No. 29/180,987, filed on May 2, 2003, now Pat. No. Des. 508,589, which is a continuation-in-part of application No. 10/371,646, filed on Feb. 21, 2003, now Pat. No. 6,971,332, said application No. 29/266,260 is a continuation-in-part of application No. 29/230,071, which is a division of application No. 29/180,987, which is a continuation-in-part of application No. 10/371,646, said application No. 29/266,260 is a continuation-in-part of application No. 11/245,556, filed on Oct. 7, 2005, and a continuation-in-part of application No. 11/182,380, filed on Jul. 15, 2005, now abandoned, which is a continuation of application No. 10/371,646.

(52) **U.S. Cl.** **D30/119**

(58) **Field of Classification Search** D30/119,
D30/160, 199; 119/467, 468, 702, 537, 531-533,
119/705-708, 464, 161, 477, 703, 709-711;
446/69, 227, 228, 241
See application file for complete search history.

(56) **References Cited**

U.S. PATENT DOCUMENTS

D508,589 S * 8/2005 Woltmann et al. D30/119
6,971,332 B2 * 12/2005 Woltmann et al. 119/467

* cited by examiner

Primary Examiner—Melanie Tung

Assistant Examiner—Susan Moon Lee

(74) *Attorney, Agent, or Firm*—Katten Muchin Rosenman
LLP

(57) **CLAIM**

The ornamental design for a birdcage attachment, as shown and described.

DESCRIPTION

FIG. 1 is a perspective view of a birdcage attachment;

FIG. 2 is a front view thereof;

FIG. 3 is a rear view thereof;

FIG. 4 is a left side view thereof;

FIG. 5 is a right side view thereof;

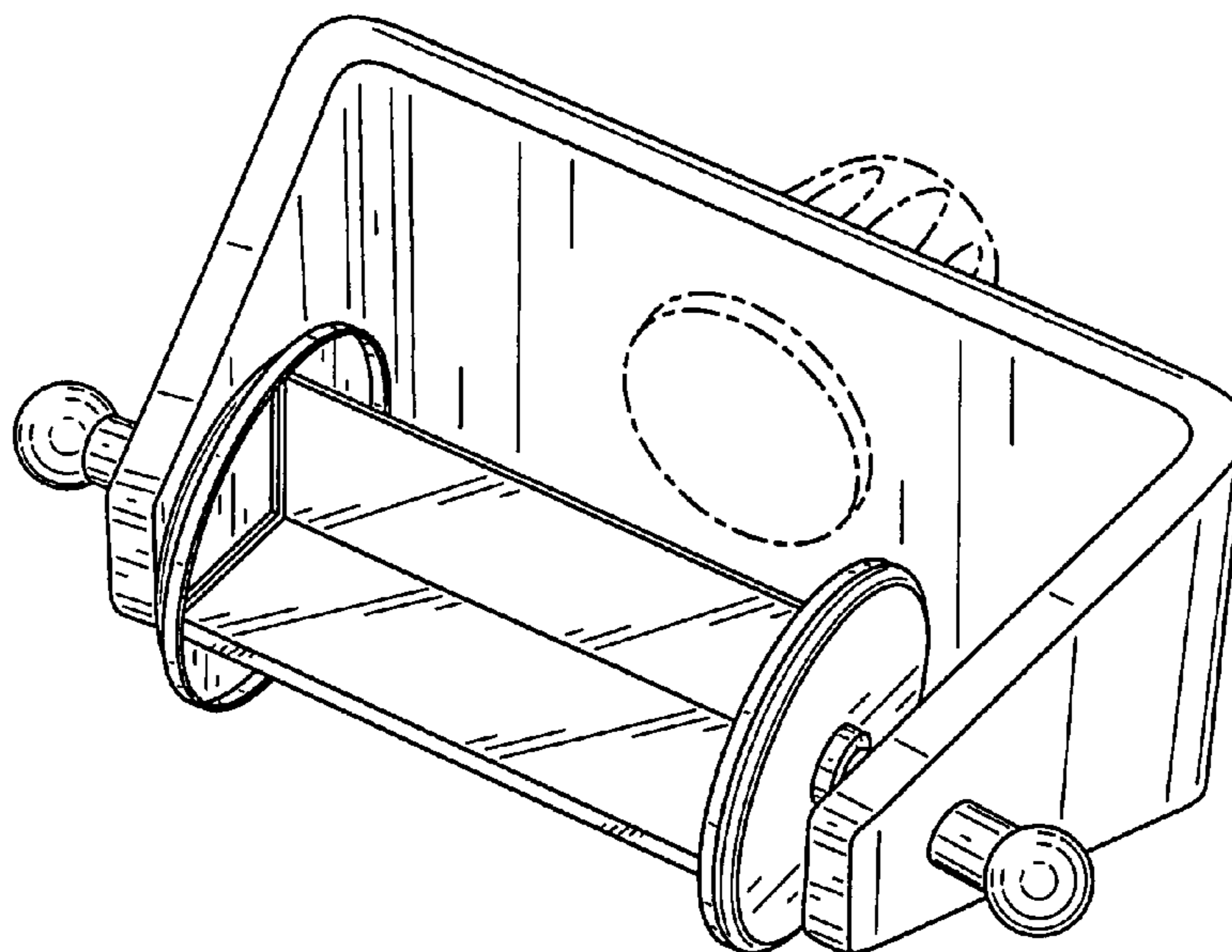
FIG. 6 is a top view thereof; and,

FIG. 7 is a bottom view thereof.

The portions of the design that are shown in broken lines do not form part of the claimed design.

(51) **LOC (8) Cl.** **30-02**

1 Claim, 4 Drawing Sheets



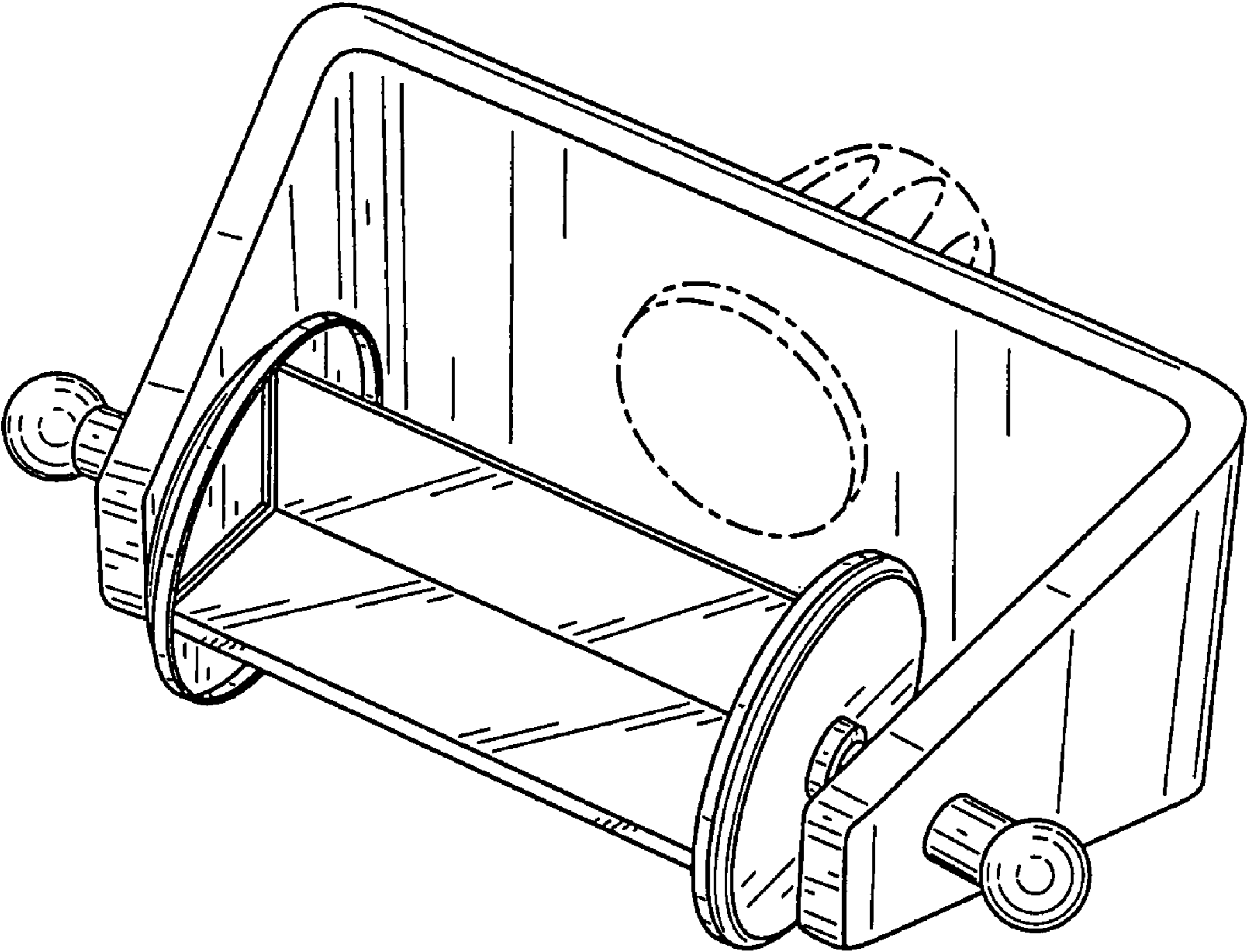


FIG. 1

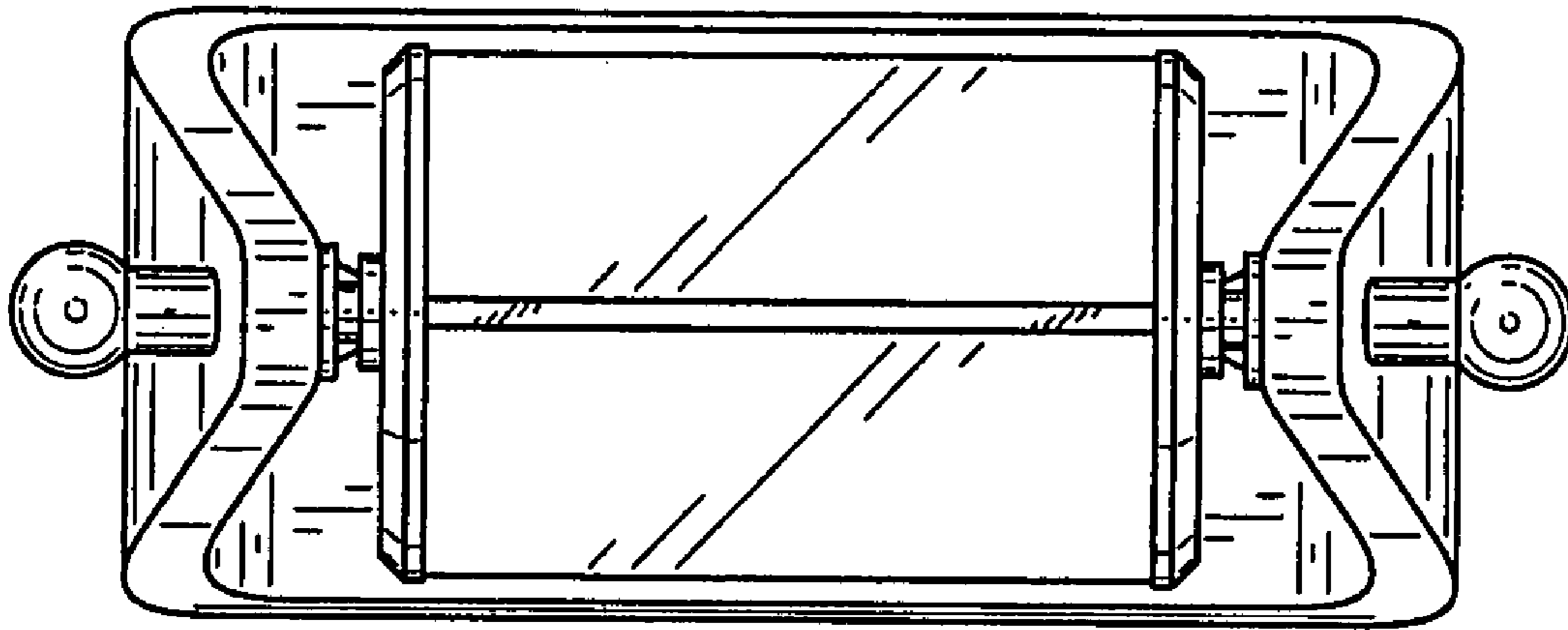


FIG. 2

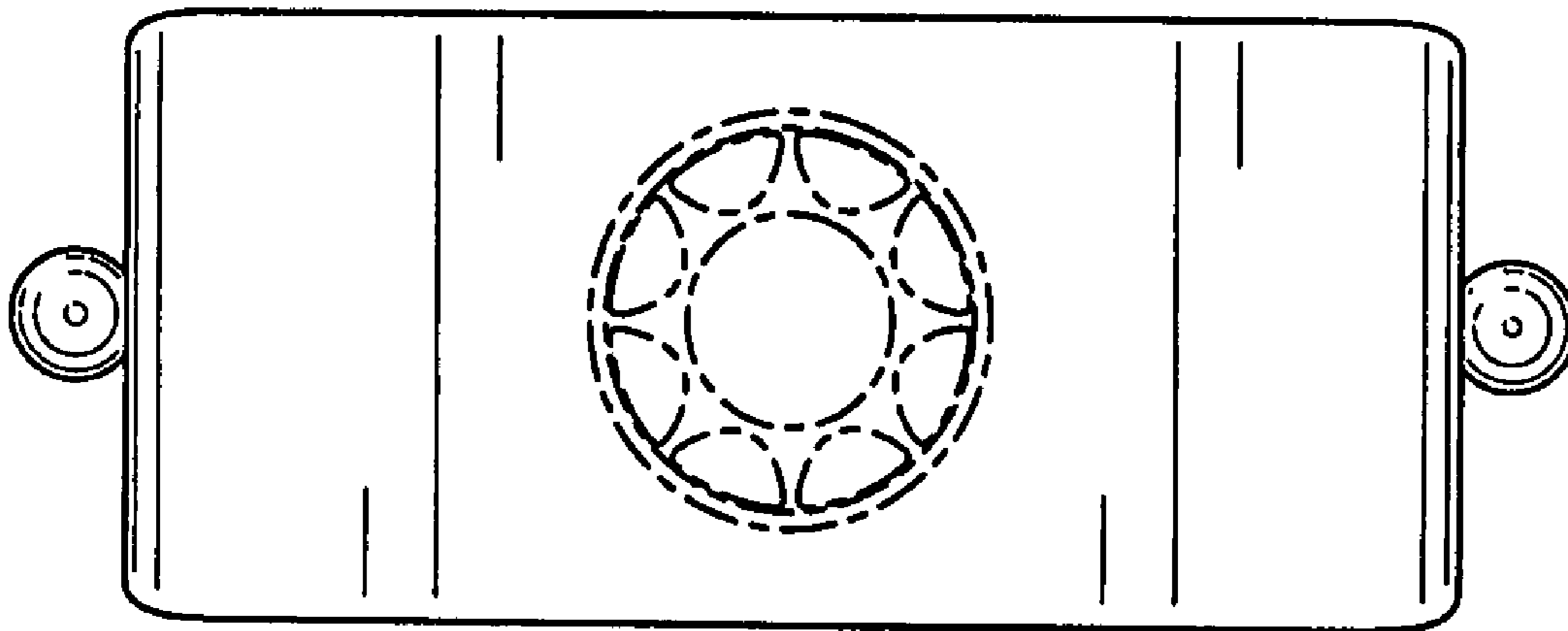


FIG. 3

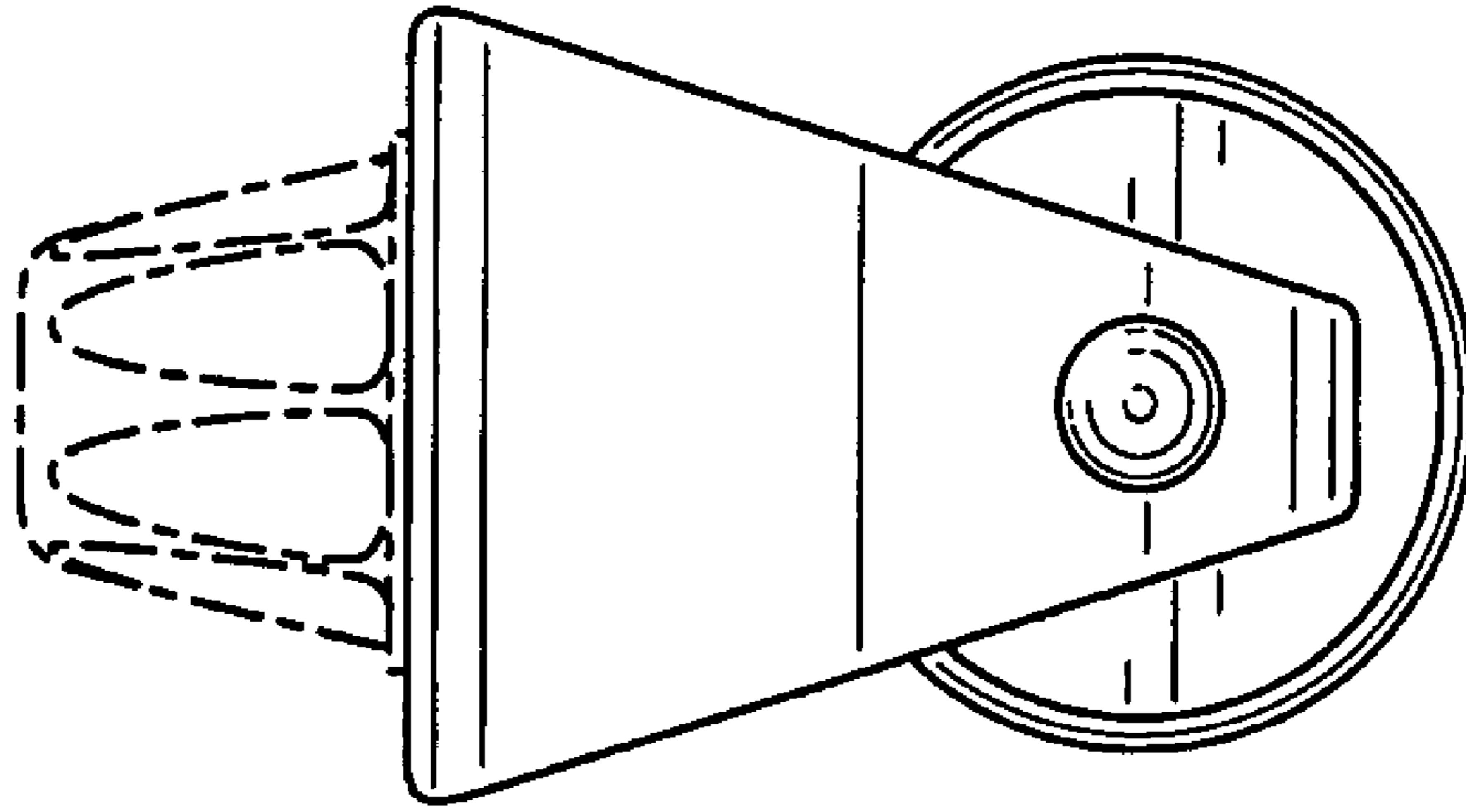


FIG. 4

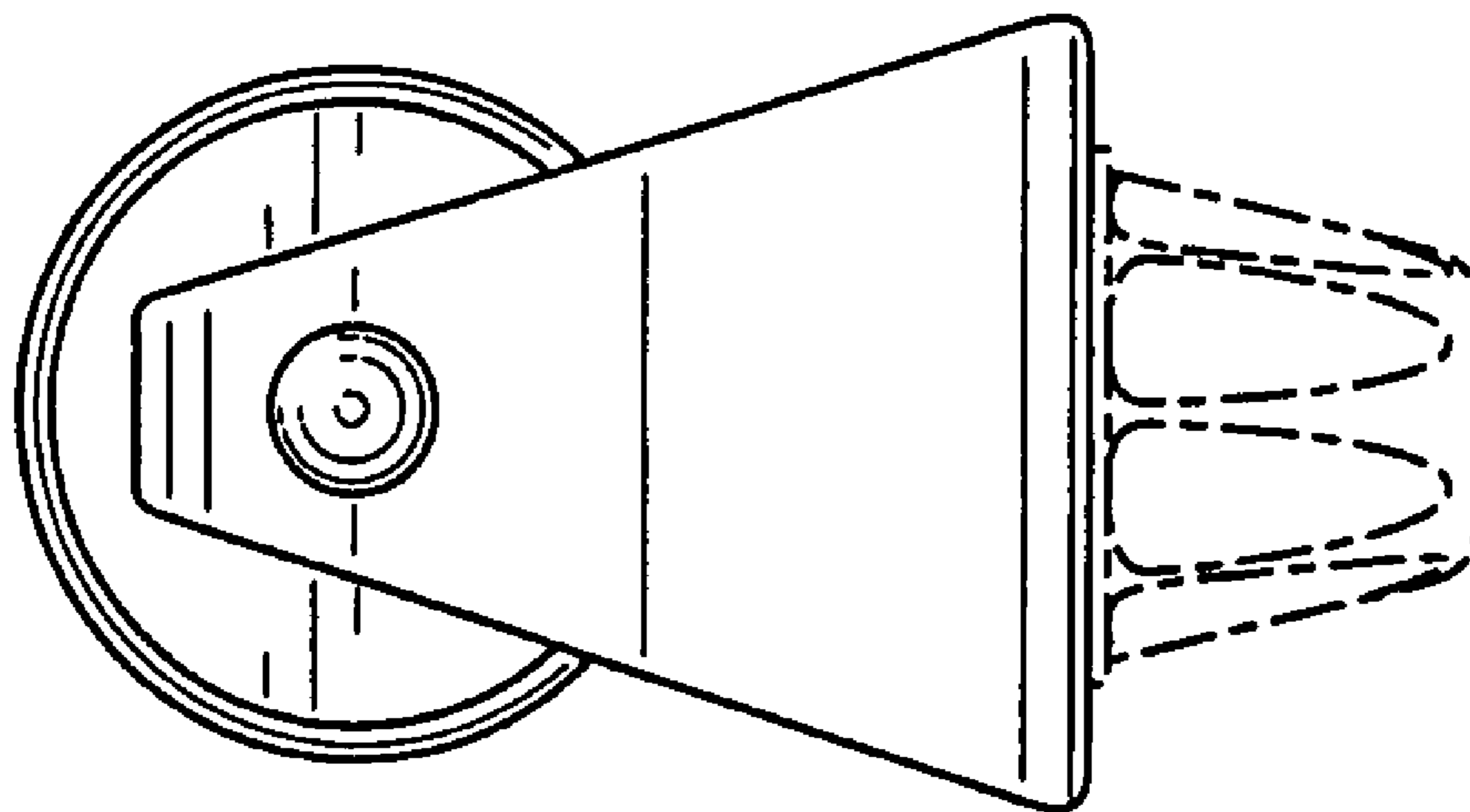


FIG. 5

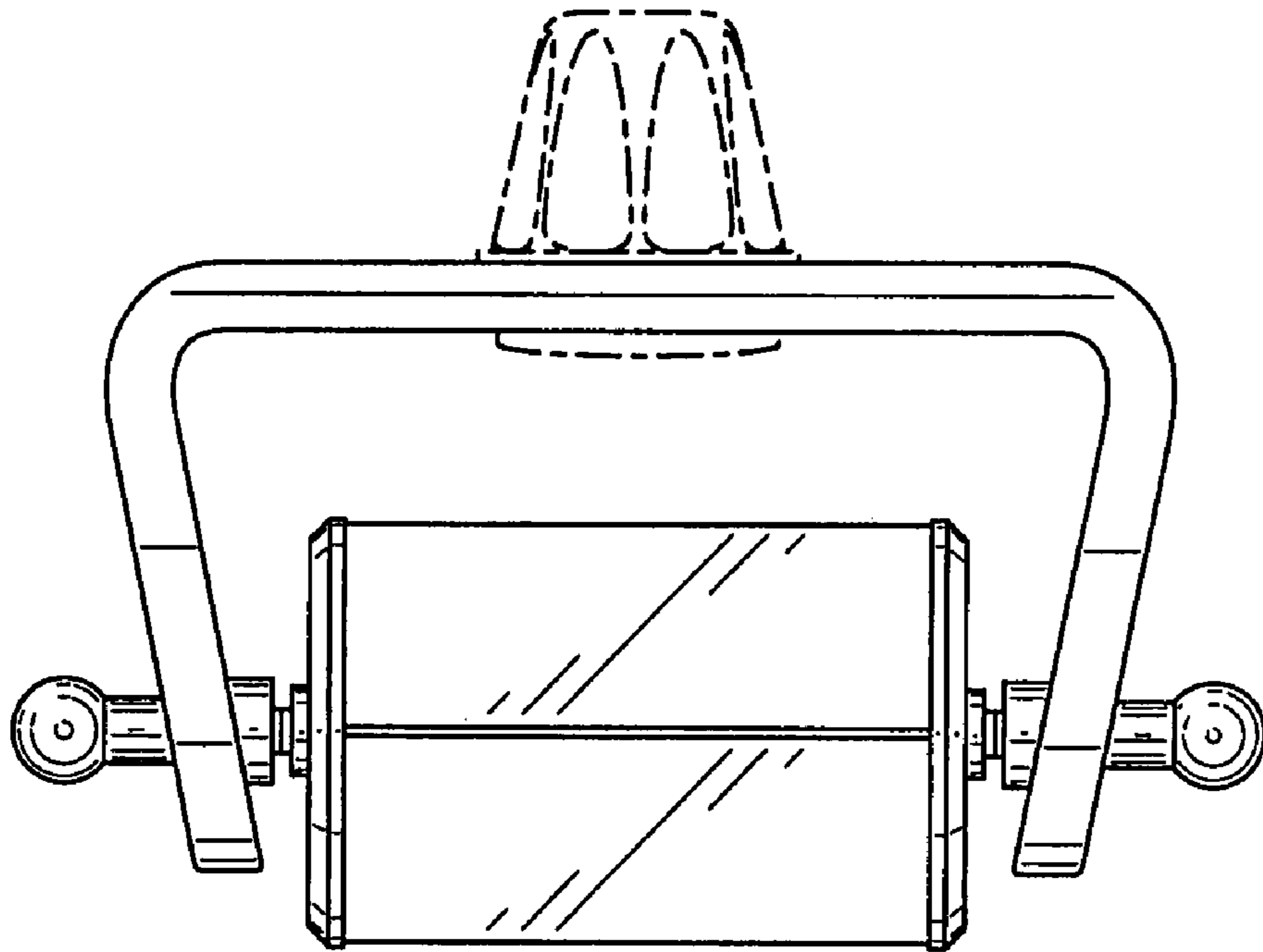


FIG. 6

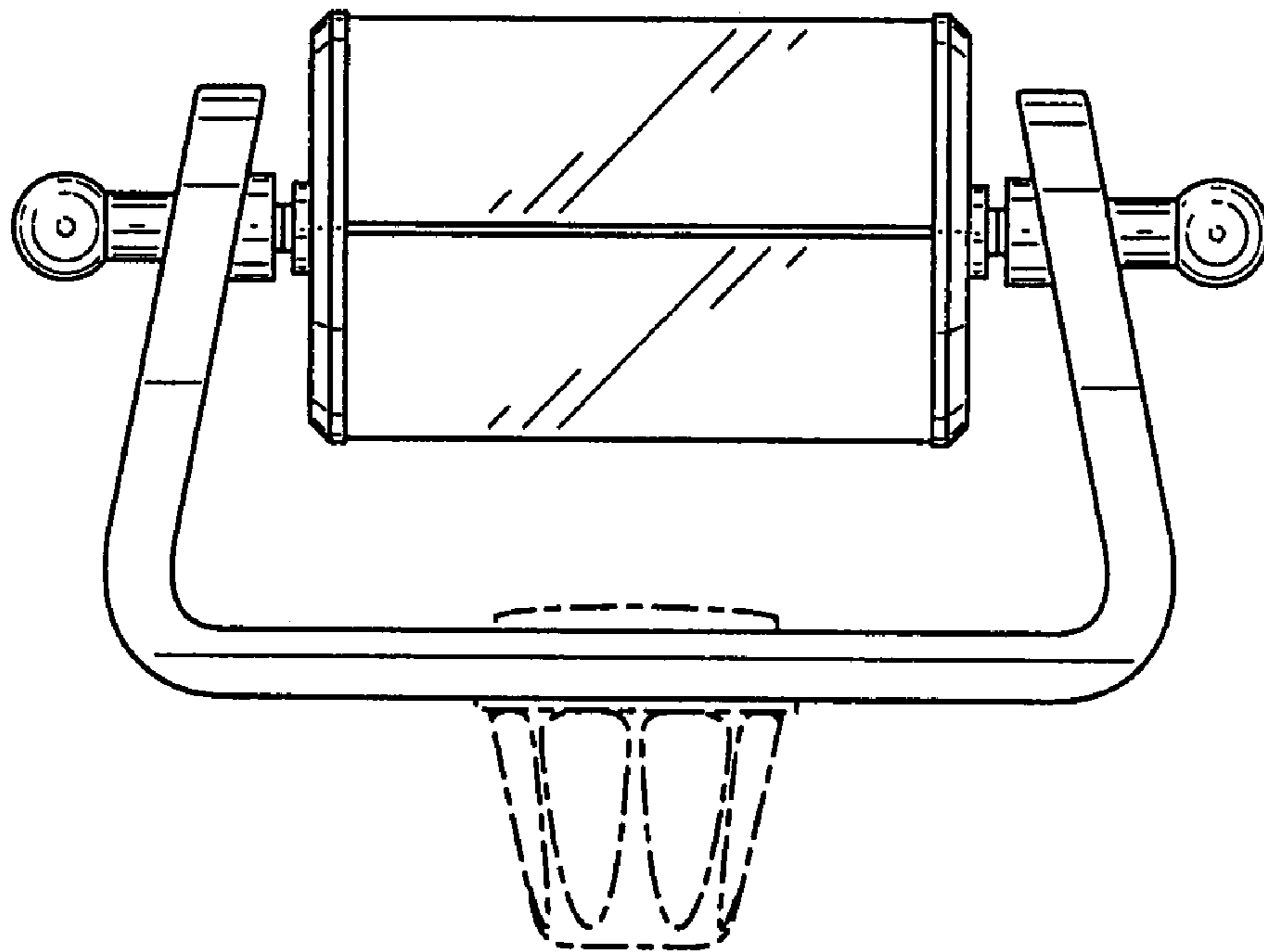


FIG. 7