

US00D569553S

(12) **United States Design Patent**
Cho

(10) **Patent No.:** **US D569,553 S**

(45) **Date of Patent:** **** May 20, 2008**

(54) **TWEEZERS**

D546,002 S * 7/2007 Bowen D28/55

* cited by examiner

(76) Inventor: **Yong Hoon Cho**, 604 Murfield Ct.,
Fullerton, CA (US) 92835

Primary Examiner—Jennifer Rivard

(74) *Attorney, Agent, or Firm*—Maria Erlinda Co Sarno

(**) Term: **14 Years**

(57) **CLAIM**

(21) Appl. No.: **29/291,757**

The ornamental design for an tweezers, as shown and described.

(22) Filed: **Sep. 13, 2007**

(51) **LOC (8) Cl.** **28-03**

(52) **U.S. Cl.** **D28/55**

(58) **Field of Classification Search** D28/55;
294/99.2; 606/210, 211; D24/143

DESCRIPTION

FIG. 1 is a perspective view of the tweezers showing my new design;

FIG. 2 is a top view of the tweezers identical to the bottom view of the tweezers thereof;

FIG. 3 is a right side view of the tweezers;

FIG. 4 is a left side view of the of the tweezers thereof;

FIG. 5 is a front end view of the tweezers thereof; and,

FIG. 6 is a rear end view of the tweezers thereof.

See application file for complete search history.

(56) **References Cited**

U.S. PATENT DOCUMENTS

D479,365 S * 9/2003 Todeschini D28/55

D507,678 S * 7/2005 Lamagna D28/55

1 Claim, 1 Drawing Sheet

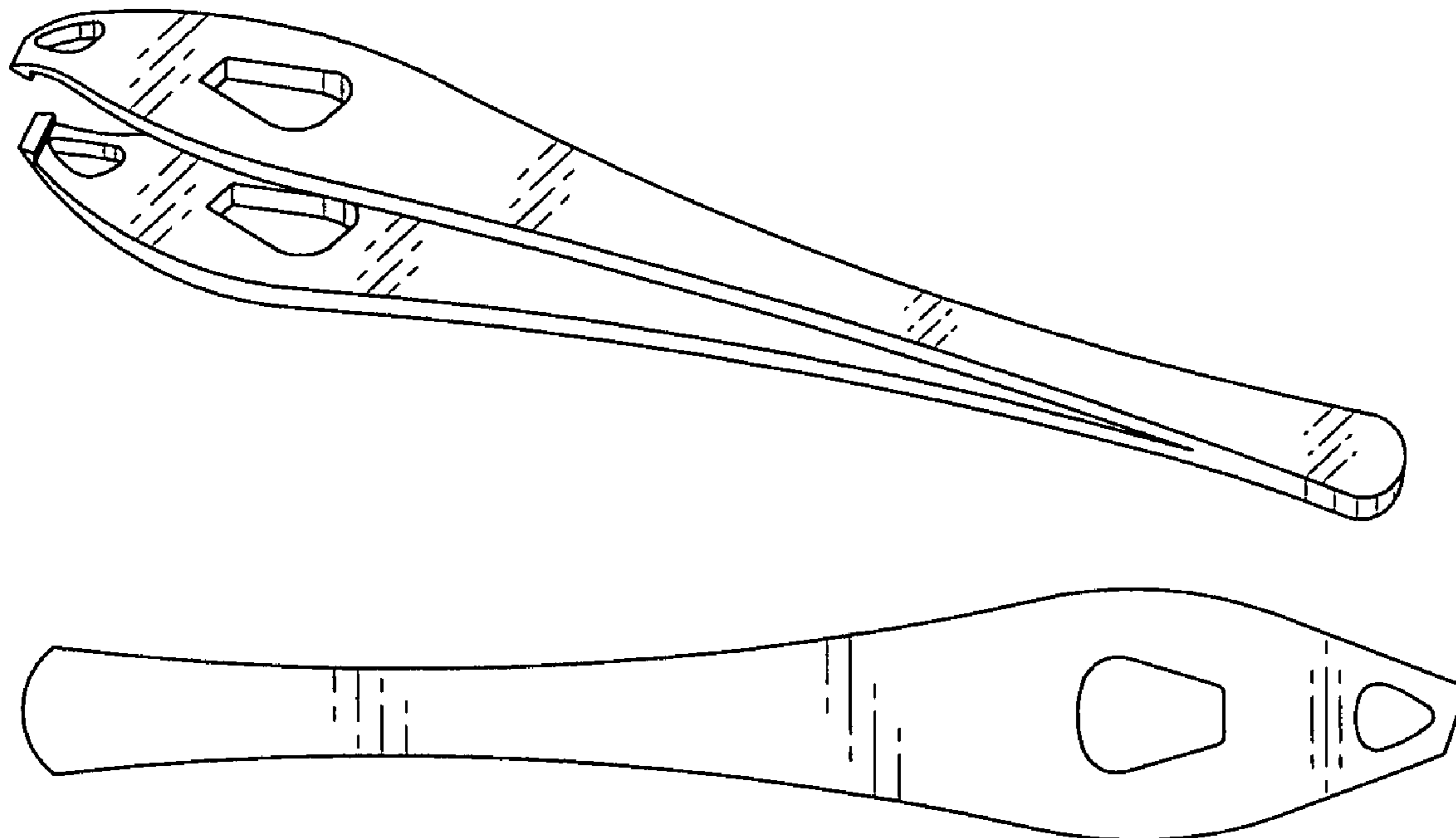


FIG. 1

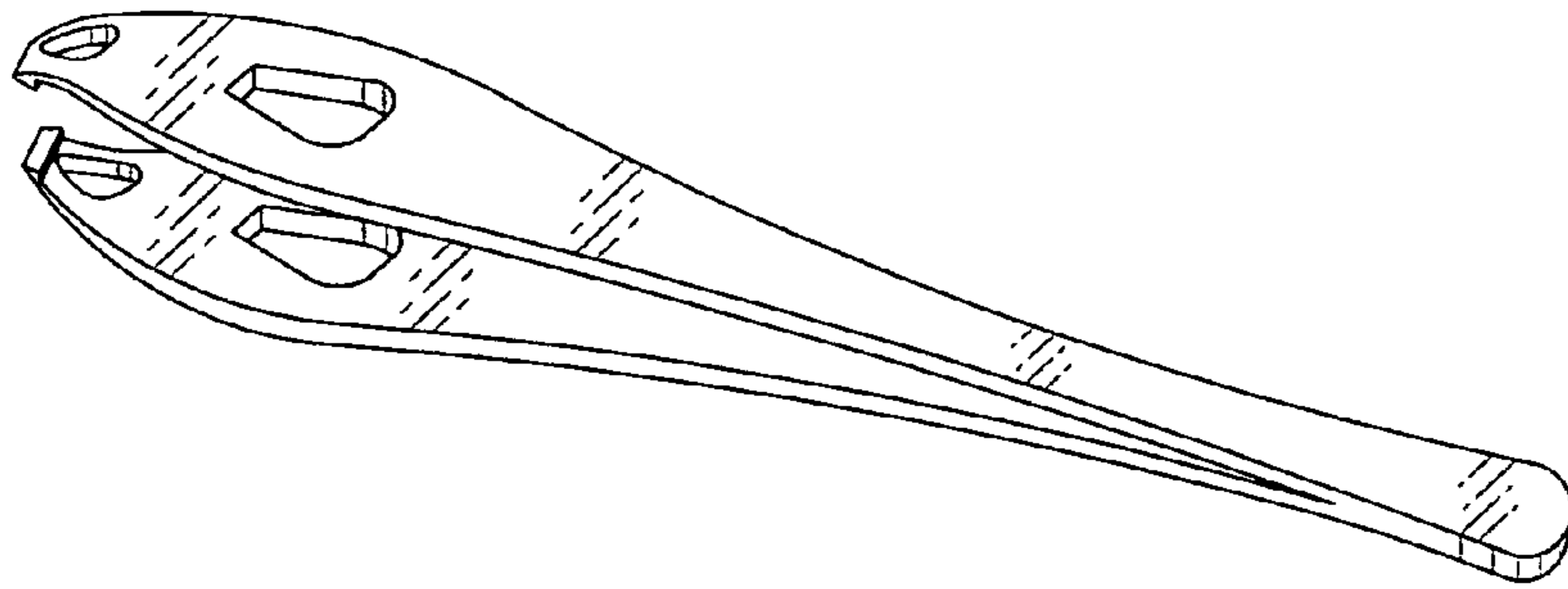


FIG. 2

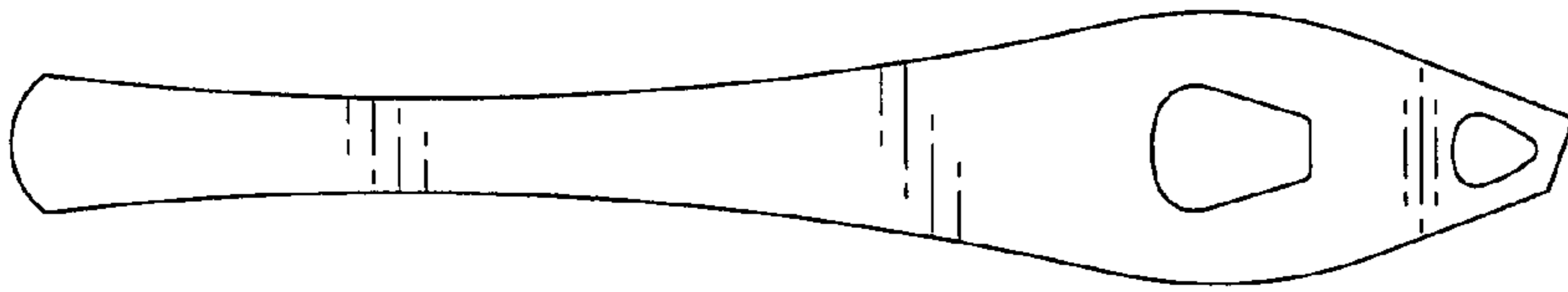


FIG. 3

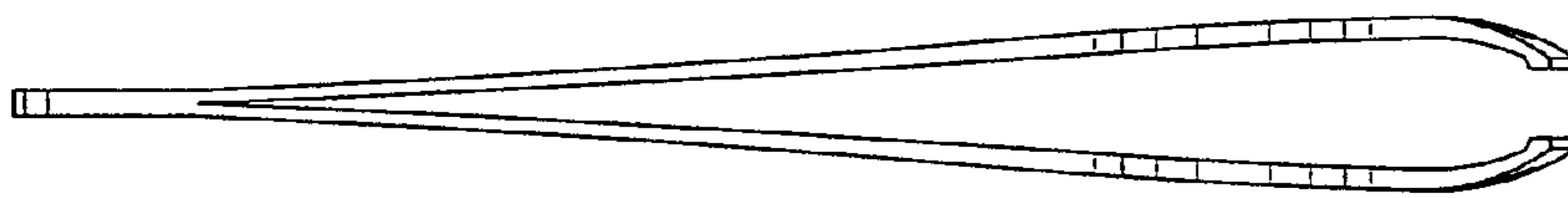


FIG. 4

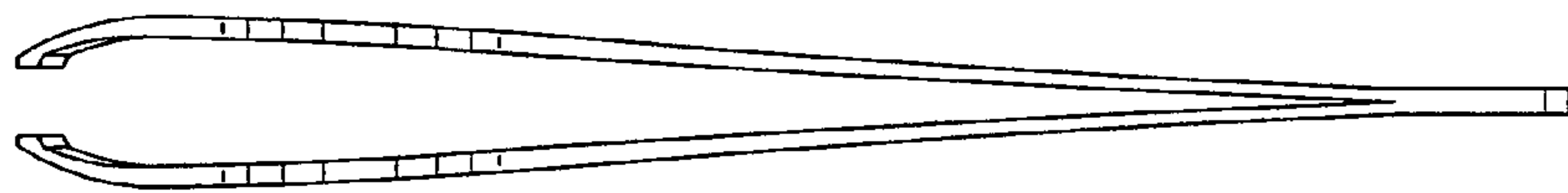


FIG. 5

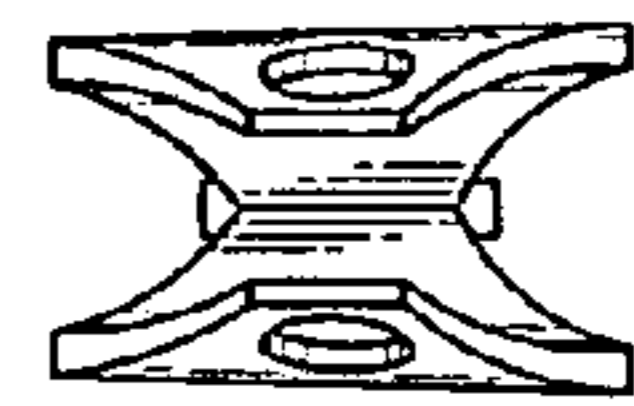


FIG. 6

