



US00D569550S

(12) **United States Design Patent**
Leung

(10) **Patent No.:** **US D569,550 S**

(45) **Date of Patent:** **** May 20, 2008**

(54) **HAIR STRAIGHTENER**

2006/0037625 A1* 2/2006 Kayser et al. 132/224
2006/0124625 A1* 6/2006 Keig et al. 219/222

(75) Inventor: **Anthony Kit Lun Leung**, North Point
(CN)

* cited by examiner

(73) Assignee: **Conair Corporation**, Stamford, CT
(US)

Primary Examiner—Jennifer Rivard
(74) *Attorney, Agent, or Firm*—Lawrence Cruz

(**) Term: **14 Years**

(57) **CLAIM**

(21) Appl. No.: **29/289,111**

The ornamental design for a hair straightener, as shown and described.

(22) Filed: **Jul. 6, 2007**

DESCRIPTION

(51) **LOC (8) Cl.** **28-03**

FIG. 1 is a perspective view of a hair straightener showing a new design;

(52) **U.S. Cl.** **D28/35**

FIG. 2 is a front view thereof;

(58) **Field of Classification Search** D28/35;
132/222–225, 227–229, 236, 245; 219/222,
219/225, 226

FIG. 3 is a rear view thereof;

See application file for complete search history.

FIG. 4 is a top view thereof;

FIG. 5 is a bottom view thereof;

(56) **References Cited**

FIG. 6 is a right side view thereof; and,

U.S. PATENT DOCUMENTS

FIG. 7 is a left side view thereof.

4,739,151 A * 4/1988 Smal 219/225

The broken lines are shown for illustrative purposes only and form no part of the claimed design.

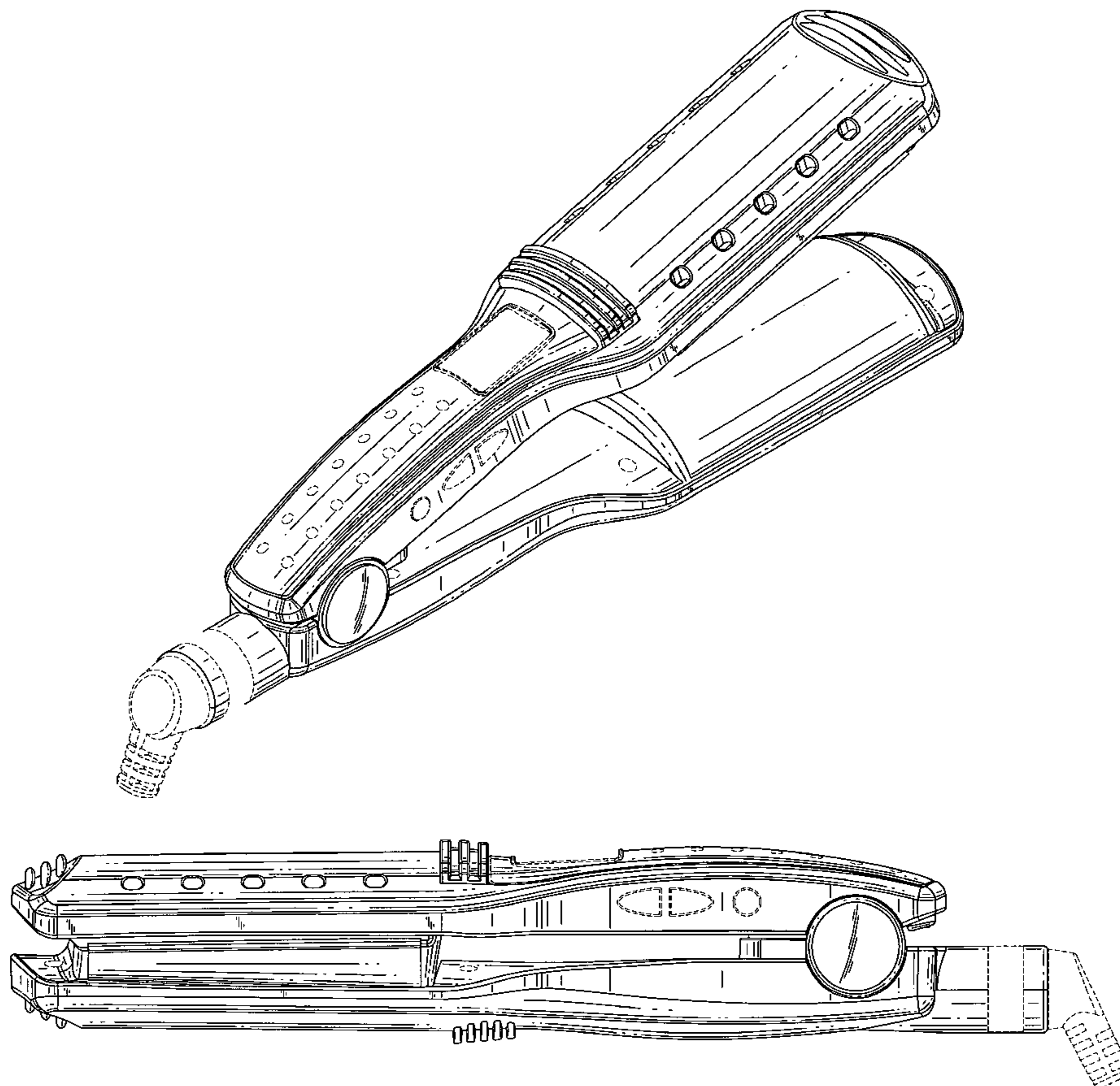
D504,978 S * 5/2005 Johnstone et al. D28/35

D559,447 S * 1/2008 Leung D28/35

D559,448 S * 1/2008 Leung D28/35

2005/0087205 A1* 4/2005 Rizzuto, Jr. 132/228

1 Claim, 3 Drawing Sheets



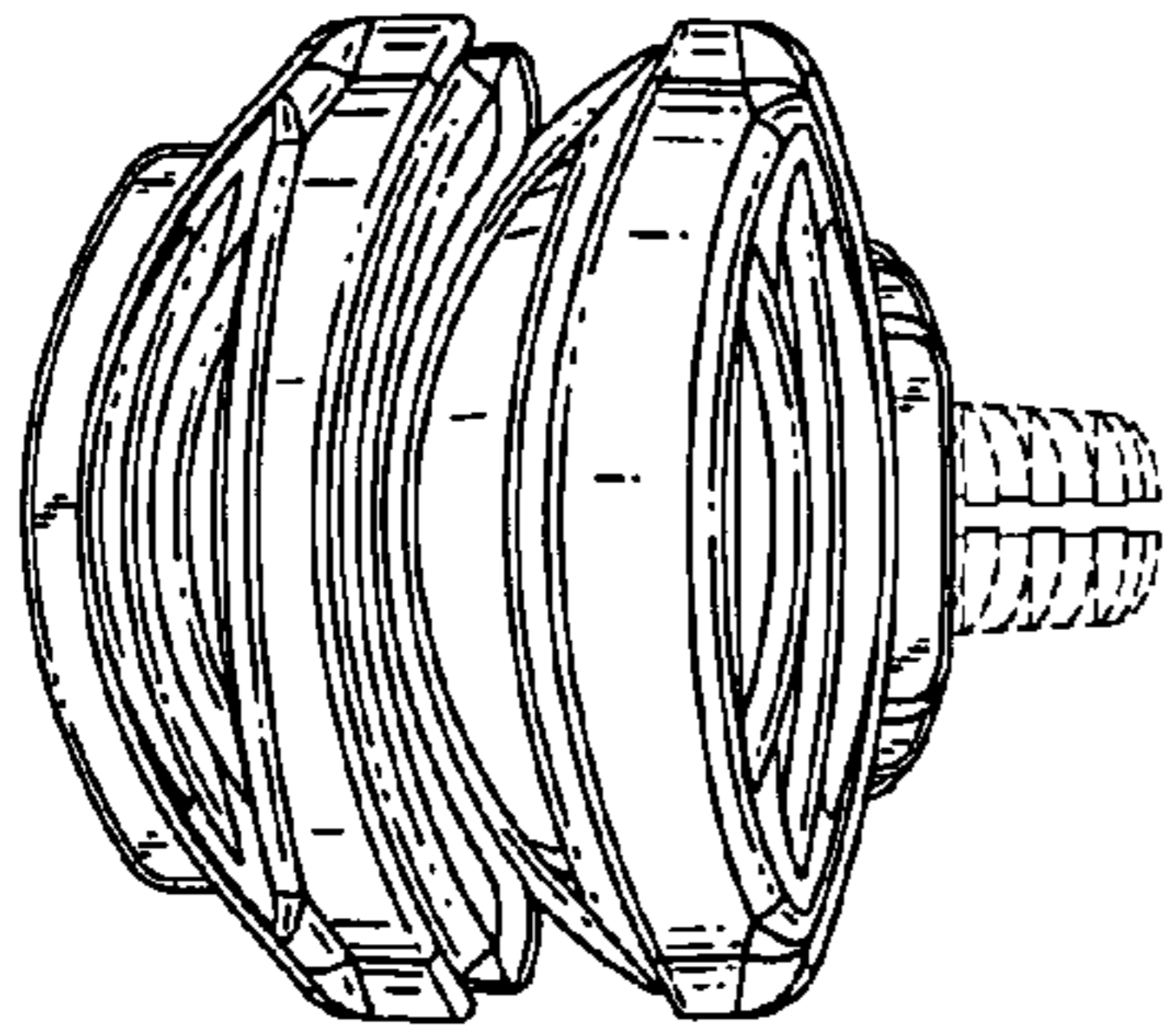


FIG. 2

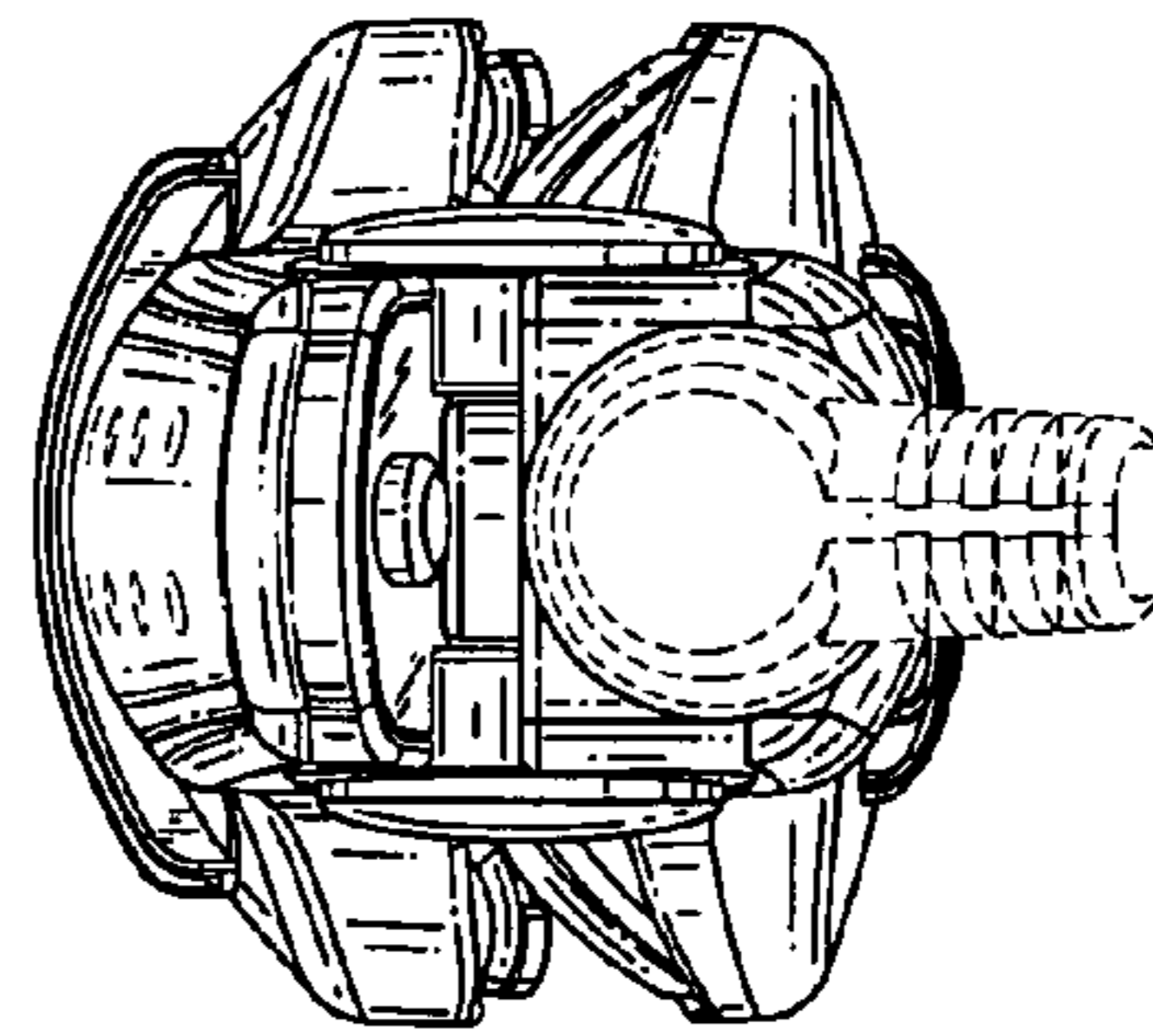


FIG. 3

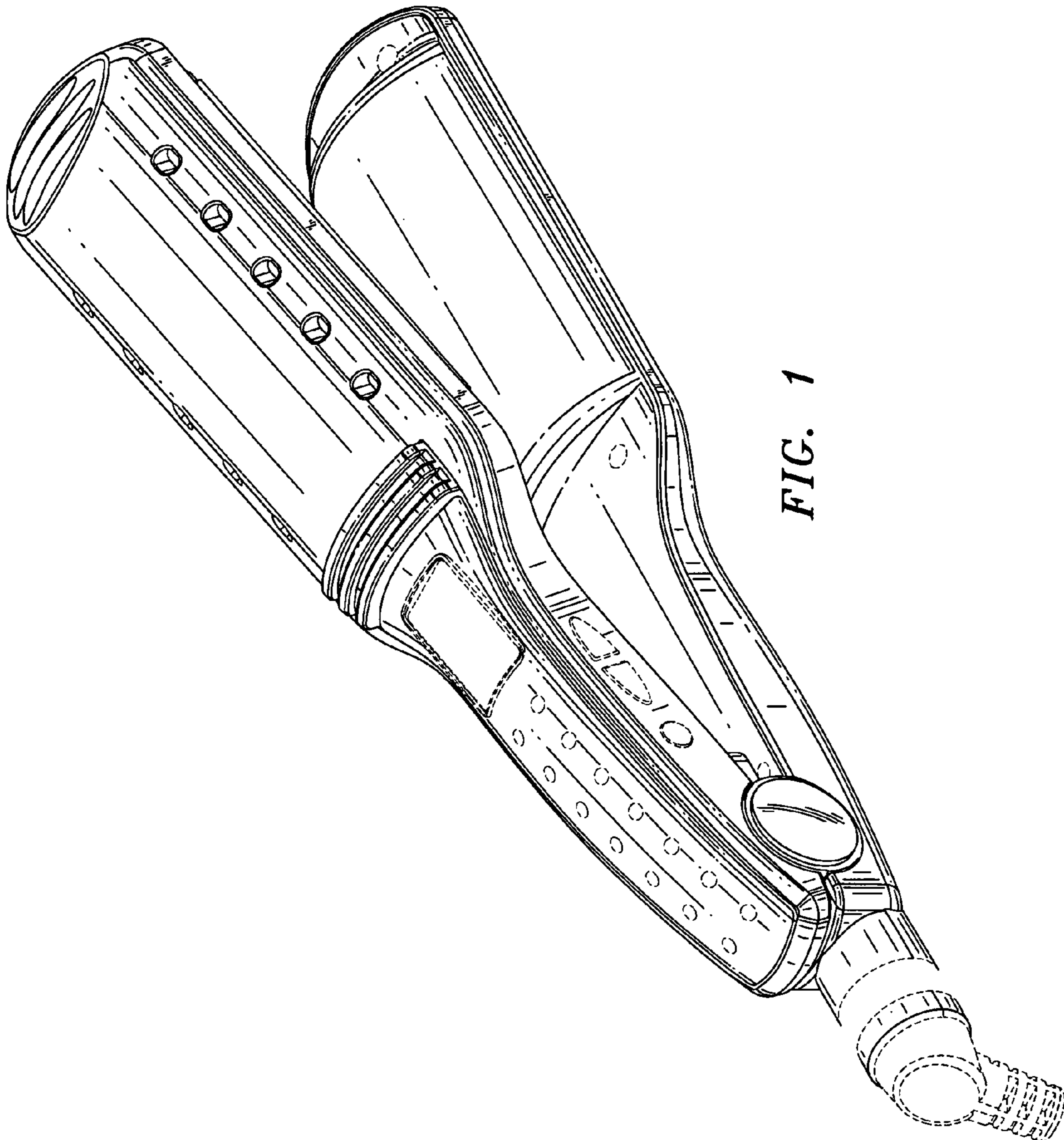


FIG. 1

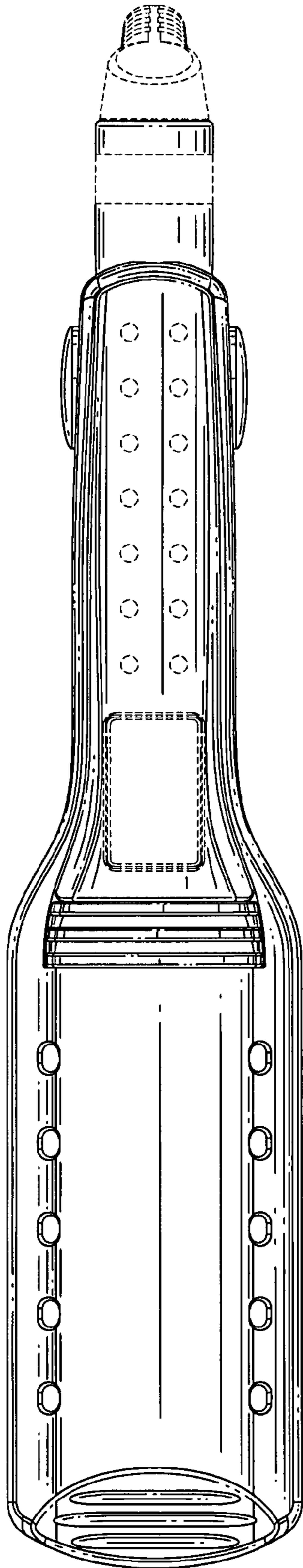


FIG. 4

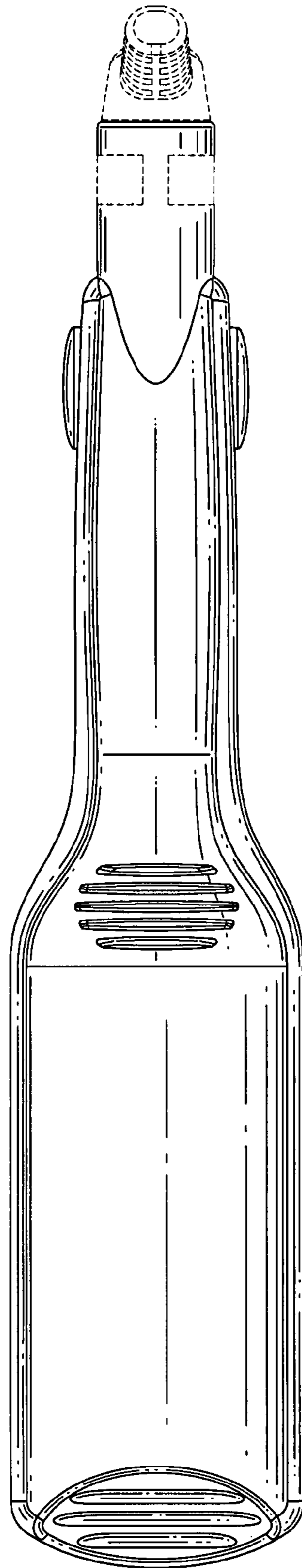


FIG. 5

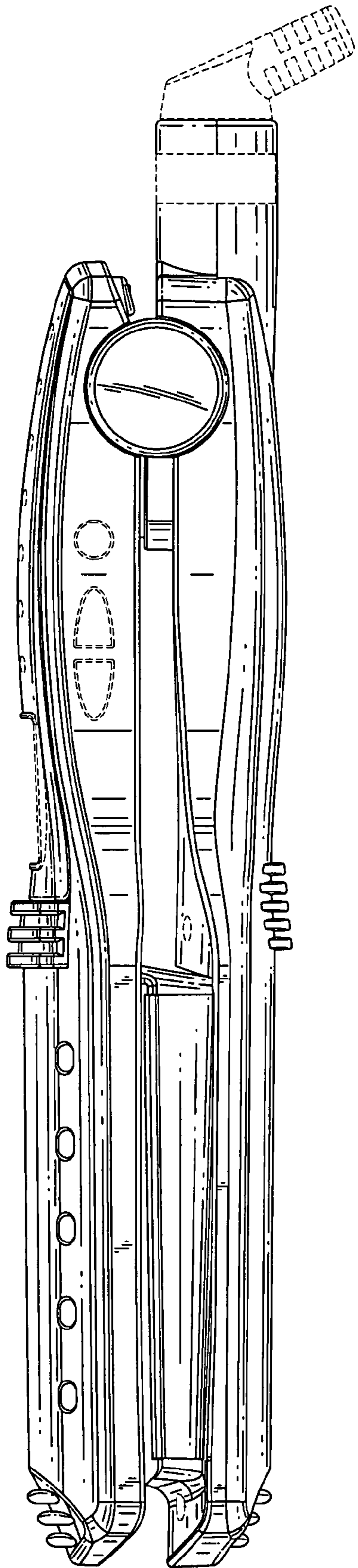


FIG. 6

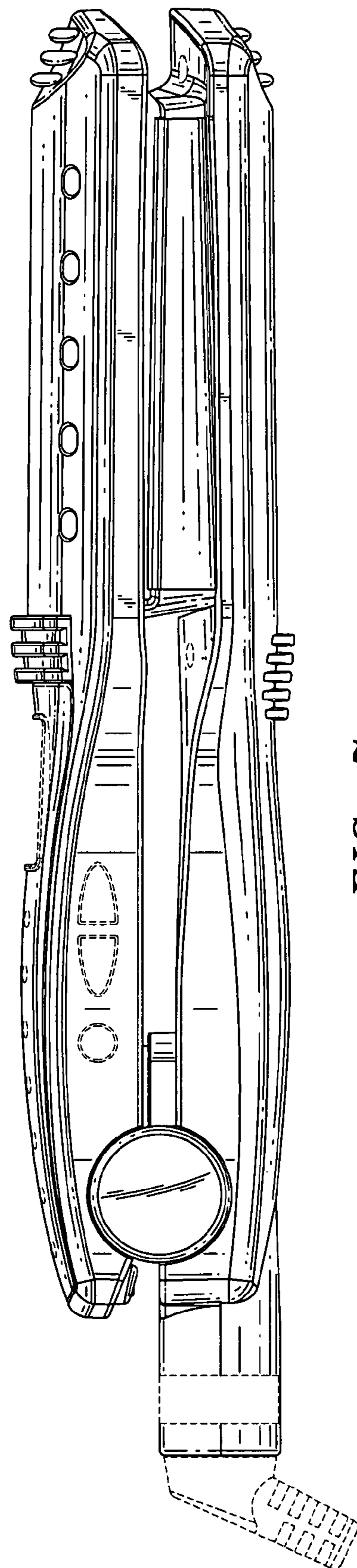


FIG. 7