

US00D569547S

(12) **United States Design Patent**
Jones

(10) **Patent No.:** **US D569,547 S**

(45) **Date of Patent:** **** May 20, 2008**

(54) **SECURED CIGARETTE LIGHTER HOLDER**

(76) **Inventor:** **John L. Jones**, 8018 S. Brandon Ave.,
Second Floor, Chicago, IL (US) 60617

(**) **Term:** **14 Years**

(21) **Appl. No.:** **29/283,767**

(22) **Filed:** **Aug. 23, 2007**

(51) **LOC (8) Cl.** **27-05**

(52) **U.S. Cl.** **D27/161; D27/172**

(58) **Field of Classification Search** D27/161,
D27/172; 224/571; 206/85-89; 431/253
See application file for complete search history.

(56) **References Cited**

U.S. PATENT DOCUMENTS

| | | | | |
|-----------|-----|---------|----------------|---------|
| 4,082,496 | A | 4/1978 | Johnson | |
| 4,486,169 | A * | 12/1984 | Lewis | 431/253 |
| 4,898,532 | A | 2/1990 | Bericik | |
| 4,927,354 | A * | 5/1990 | Sanford | 431/253 |
| 5,462,212 | A * | 10/1995 | Hertel, Jr. | 224/571 |
| 5,630,503 | A * | 5/1997 | Rhodes et al. | 206/85 |
| D436,223 | S * | 1/2001 | Pascanu et al. | D27/161 |
| D485,981 | S | 2/2004 | Romero | |
| D516,241 | S | 2/2006 | Gaines et al. | |

| | | | | |
|-----------|-----|--------|-------------------------|---------|
| D518,595 | S | 4/2006 | Morganfield, Jr. et al. | |
| 7,053,774 | B2 | 5/2006 | Sedon et al. | |
| D527,488 | S * | 8/2006 | Hung | D27/161 |
| D537,199 | S * | 2/2007 | Poirier | D27/161 |

* cited by examiner

Primary Examiner—Jennifer Rivard

(57) **CLAIM**

The ornamental design for a secured cigarette lighter holder,
as shown and described.

DESCRIPTION

FIG. 1 is a front view of a new secured cigarette lighter holder;

FIG. 2 is a rear view thereof;

FIG. 3 is a side view thereof;

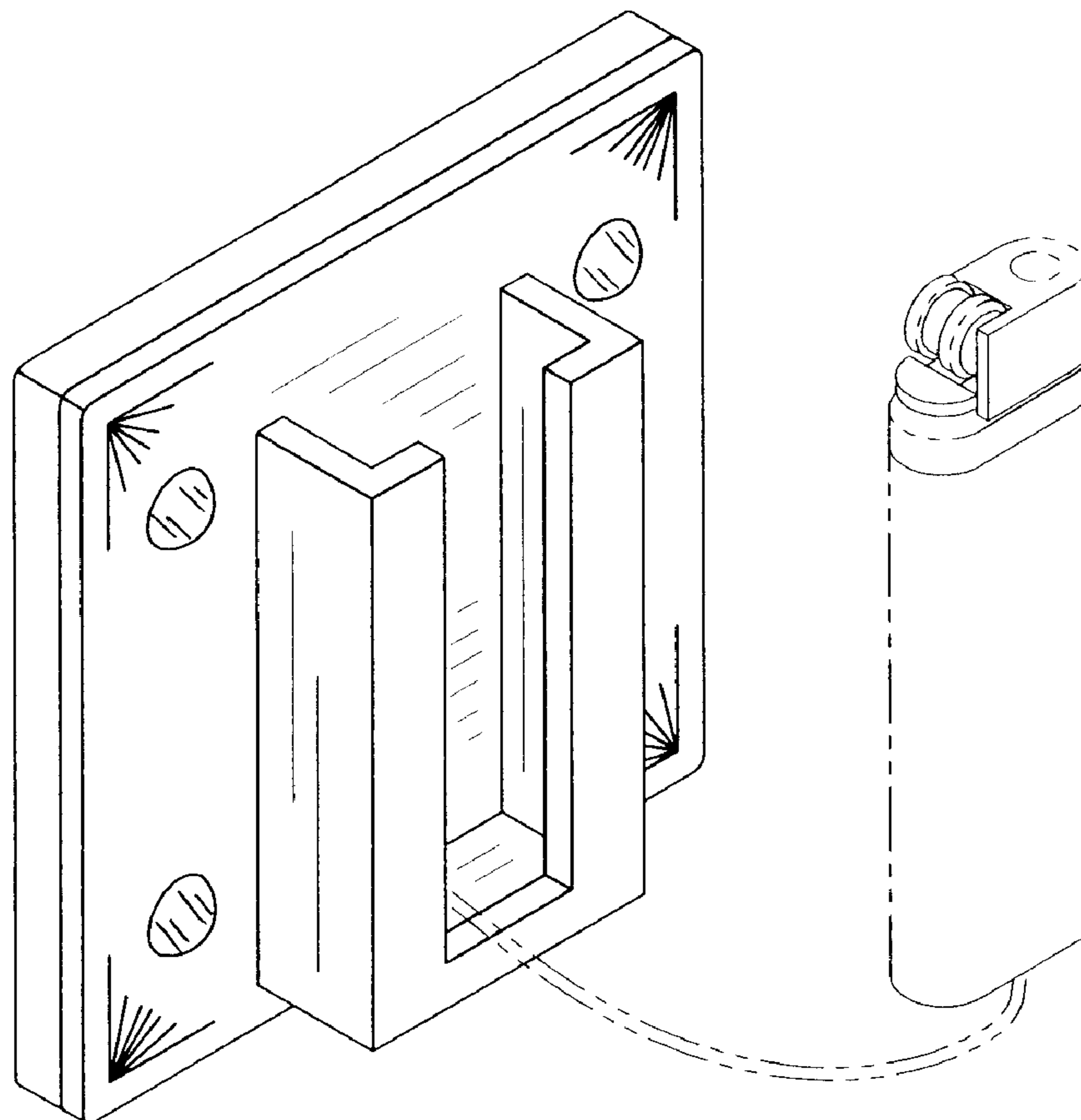
FIG. 4 is a top view thereof;

FIG. 5 is a bottom view thereof; and,

FIG. 6 is a perspective view thereof.

The broken line portion of FIG. 6 is for illustrative purposes
only and forms no part of the claimed design.

1 Claim, 3 Drawing Sheets



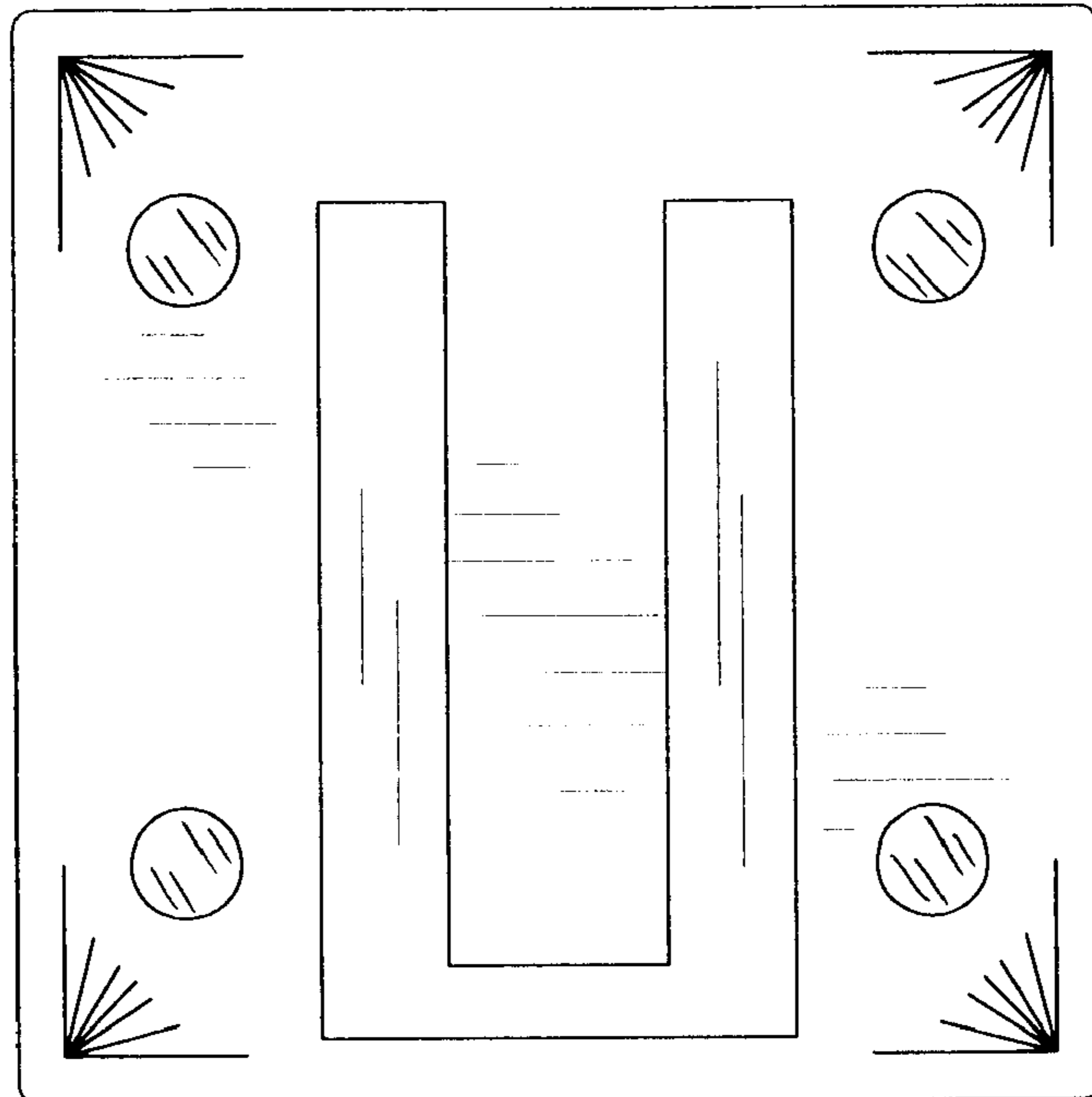


FIG. 1

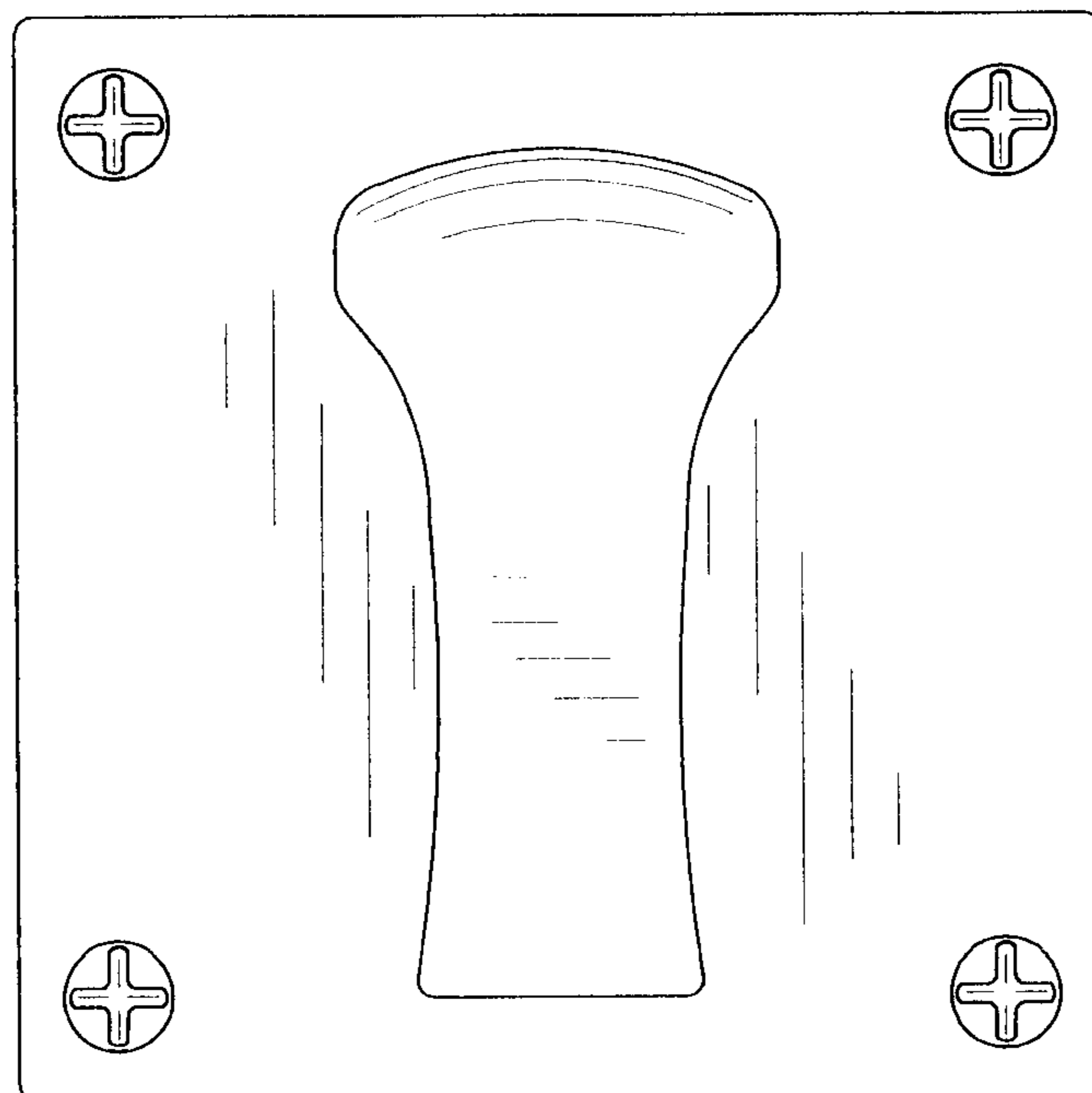


FIG. 2

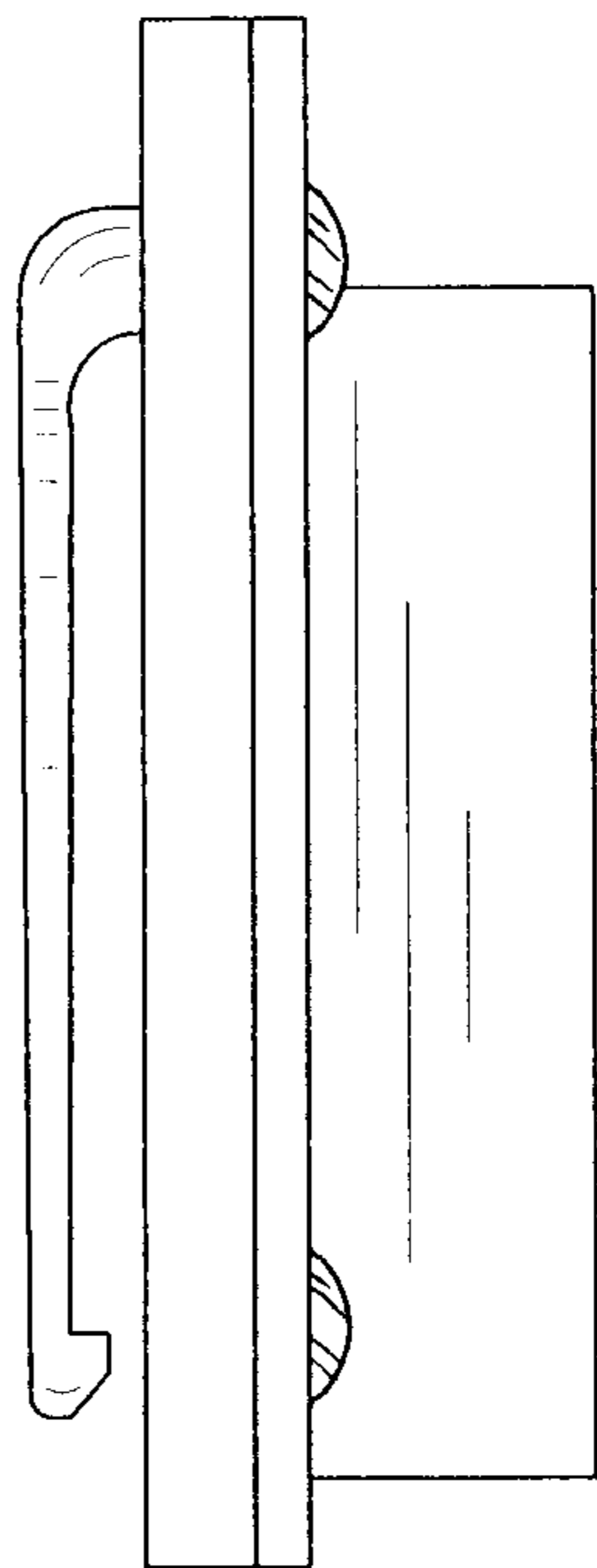


FIG. 3

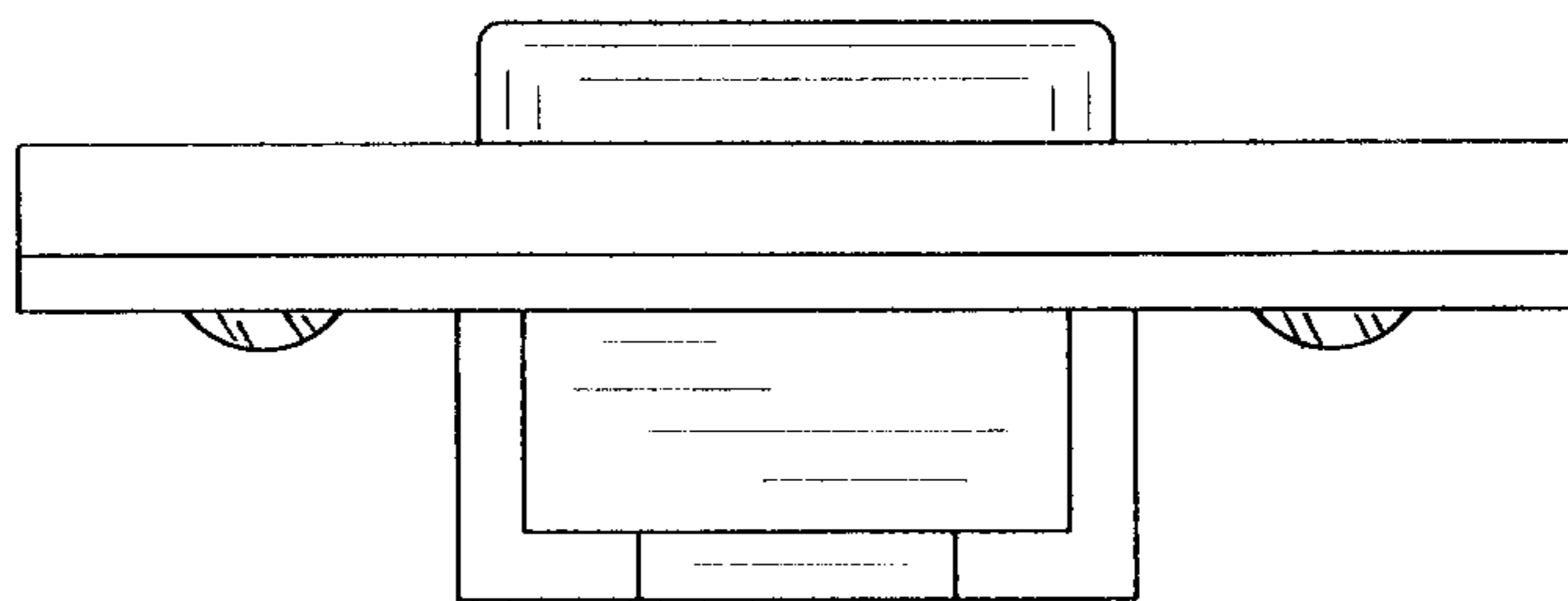


FIG. 4

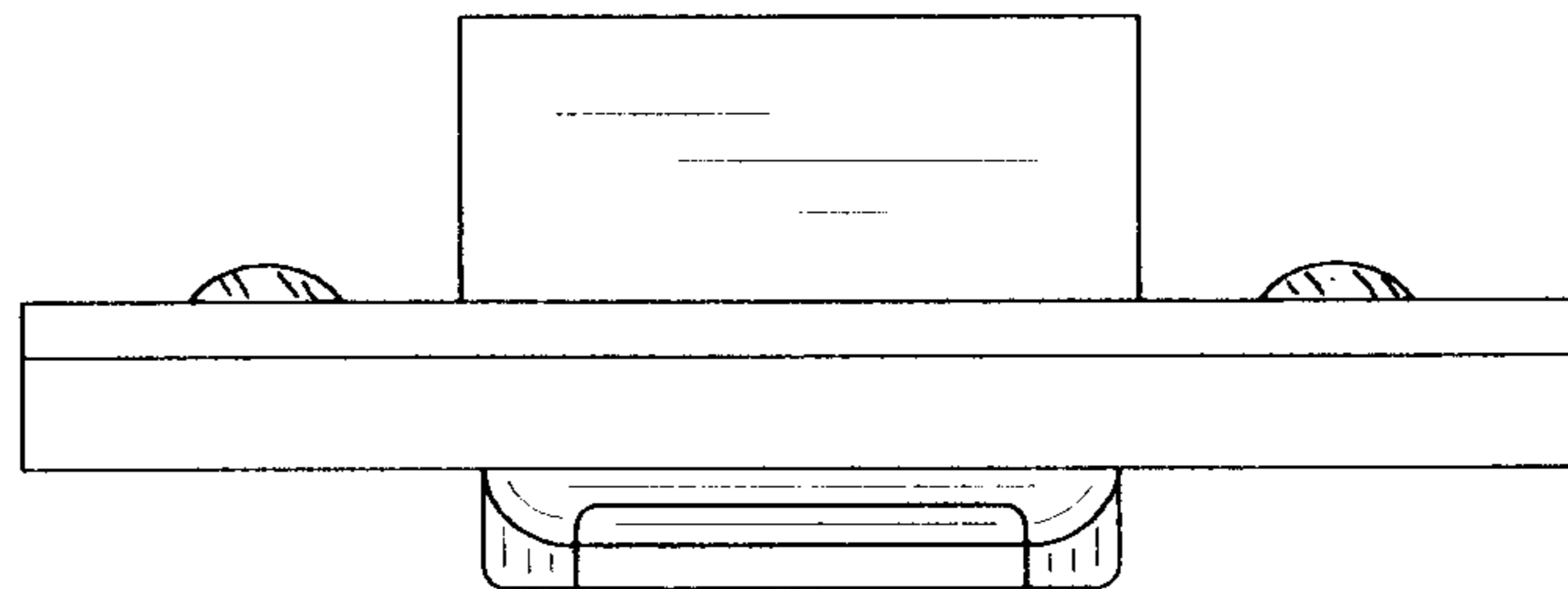


FIG. 5

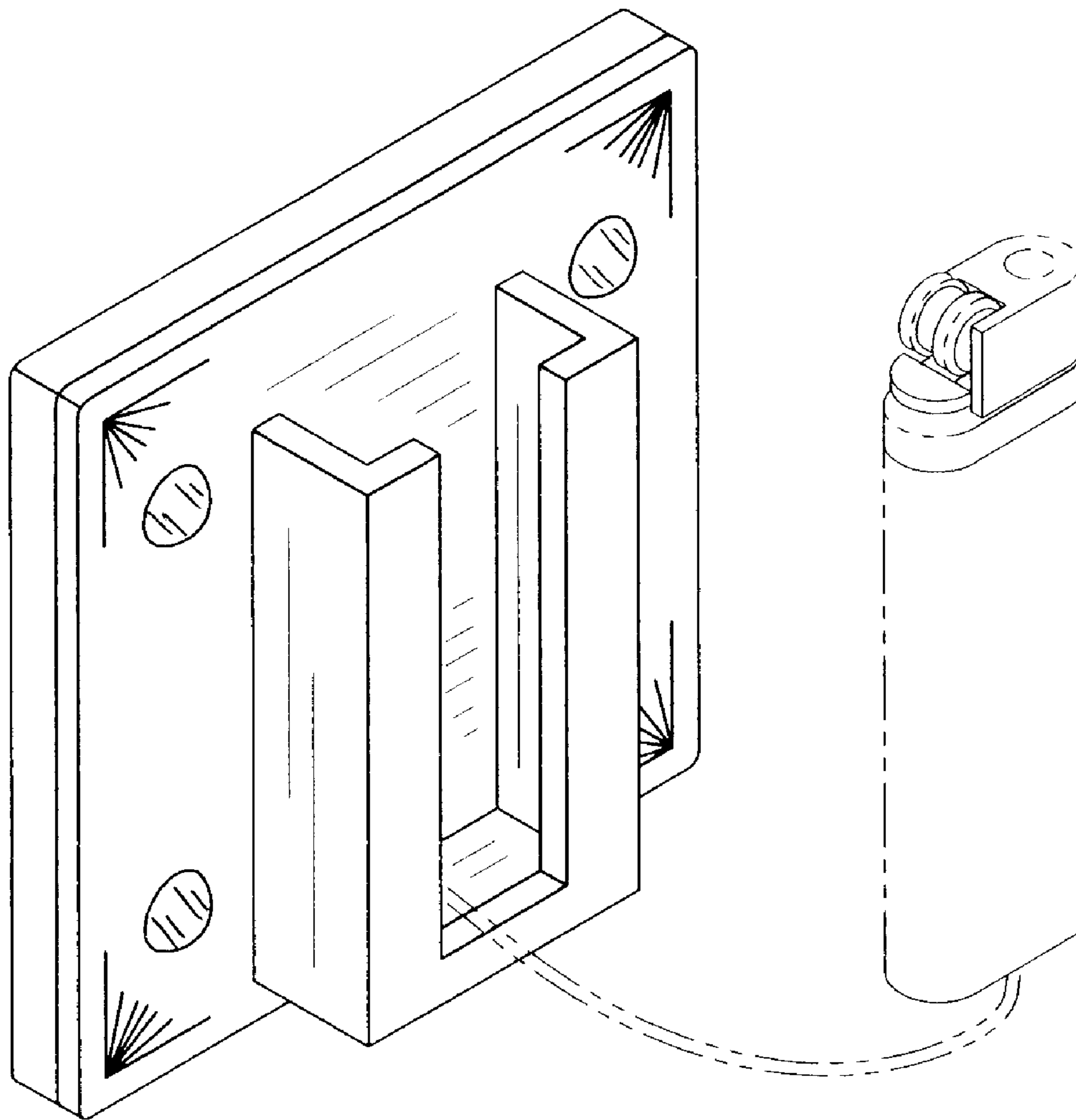


FIG. 6