

US00D569538S

(12) **United States Design Patent**
Leung

(10) **Patent No.:** **US D569,538 S**

(45) **Date of Patent:** **** May 20, 2008**

(54) **FLASHLIGHT**

(75) **Inventor:** **James C. P. Leung**, New Territories
(CN)

(73) **Assignee:** **Masterwise International Limited**,
Tsuen Wan, New Territories, Hong
Kong (CN)

(**) **Term:** **14 Years**

(21) **Appl. No.:** **29/292,329**

(22) **Filed:** **Oct. 9, 2007**

(30) **Foreign Application Priority Data**

Apr. 13, 2007 (HK) 0700973

(51) **LOC (8) Cl.** **26-02**

(52) **U.S. Cl.** **D26/49**

(58) **Field of Classification Search** D26/37-50;
362/157, 158, 171-174, 183-208
See application file for complete search history.

(56) **References Cited**

U.S. PATENT DOCUMENTS

D263,258 S * 3/1982 Zeller D26/49
D307,057 S * 4/1990 Seok D26/49

D308,109 S * 5/1990 Maglica et al. D26/49
D308,731 S * 6/1990 Maglica et al. D26/138
D545,985 S * 7/2007 Garrity D26/49
D553,282 S * 10/2007 Zhu D26/49

* cited by examiner

Primary Examiner—Marcus A. Jackson

(74) *Attorney, Agent, or Firm*—Alix, Yale & Ristas, LLP

(57) **CLAIM**

The ornamental design for a flashlight, as shown and described.

DESCRIPTION

FIG. 1 is a top plan view of a flashlight showing my new design;

FIG. 2 is a front elevational view thereof;

FIG. 3 is a rear view thereof;

FIG. 4 is a bottom plan view;

FIG. 5 is a left side elevational view thereof;

FIG. 6 is a right side elevational view thereof;

FIG. 7 is a front perspective view from bottom thereof; and,

FIG. 8 is a front perspective view from top thereof.

1 Claim, 3 Drawing Sheets

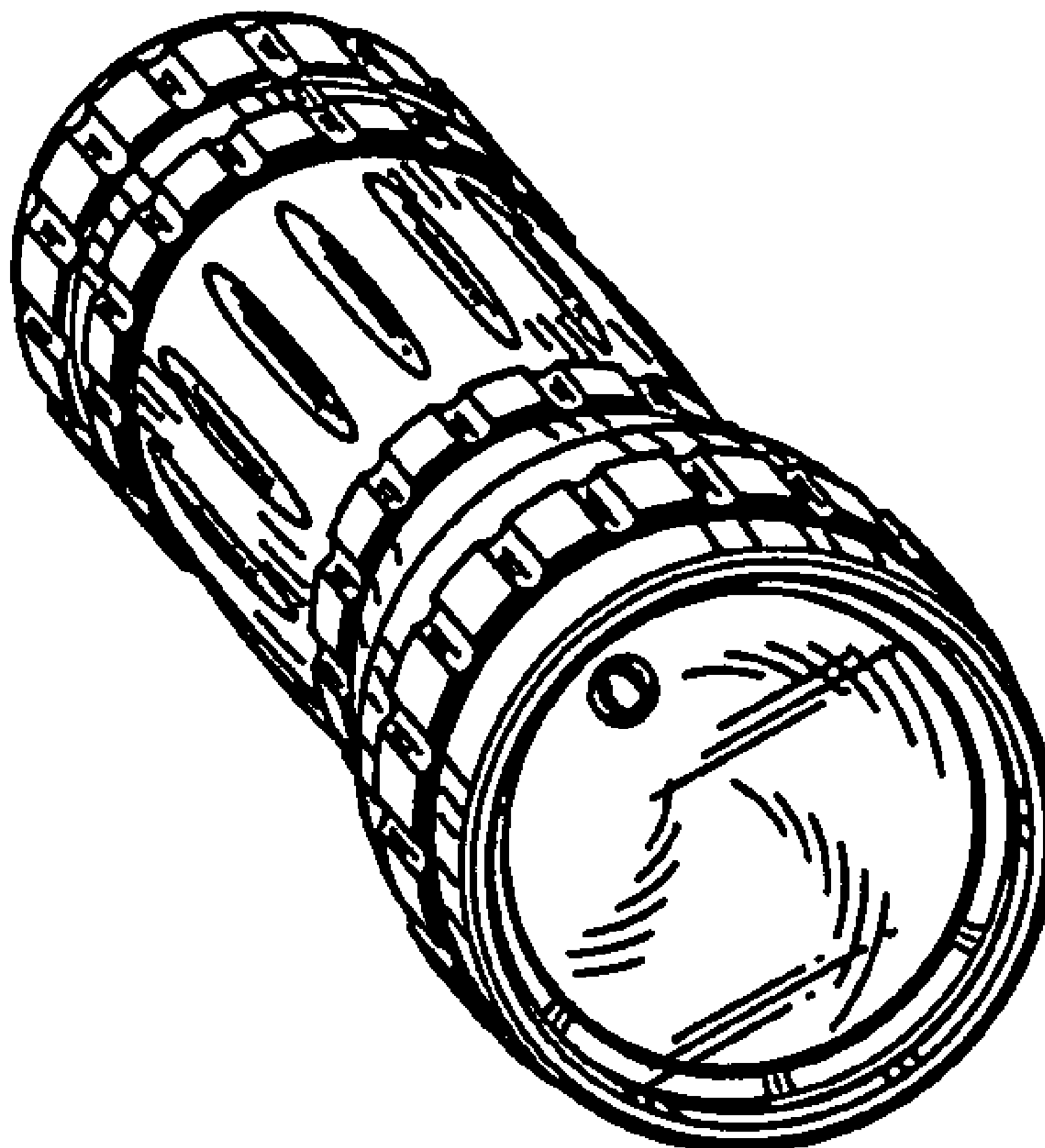




FIG. 1

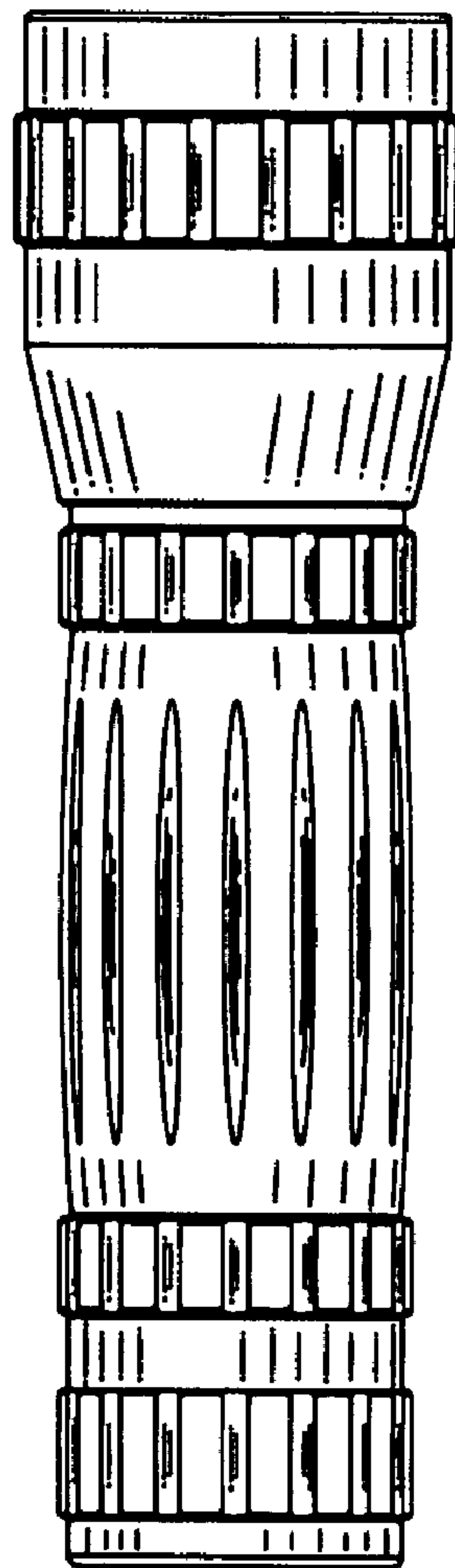


FIG. 2

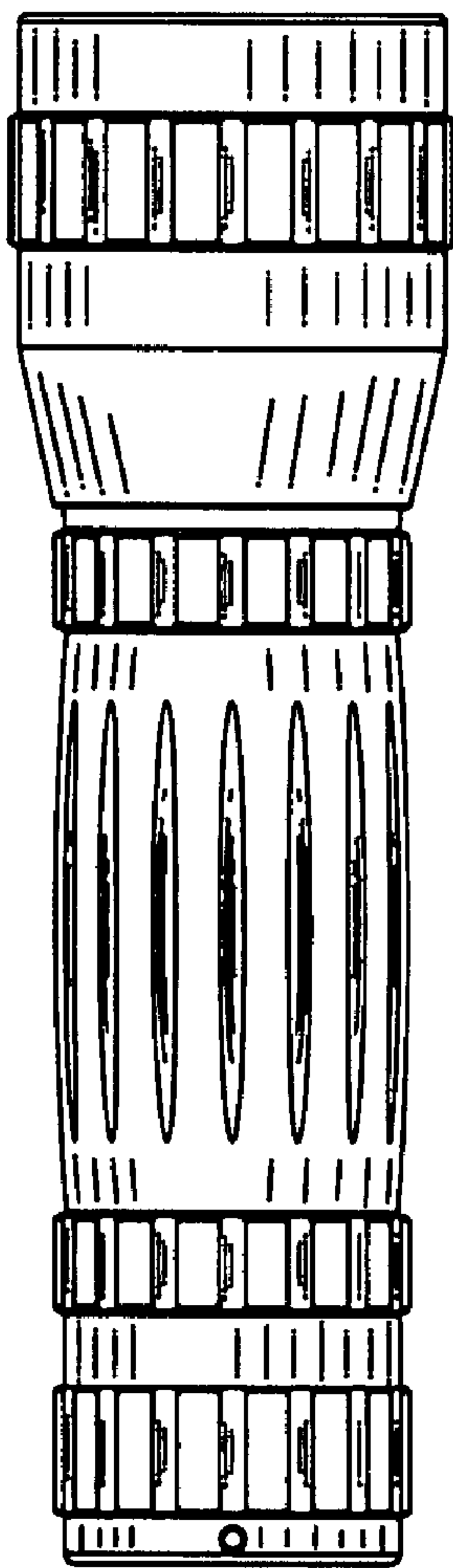


FIG. 3

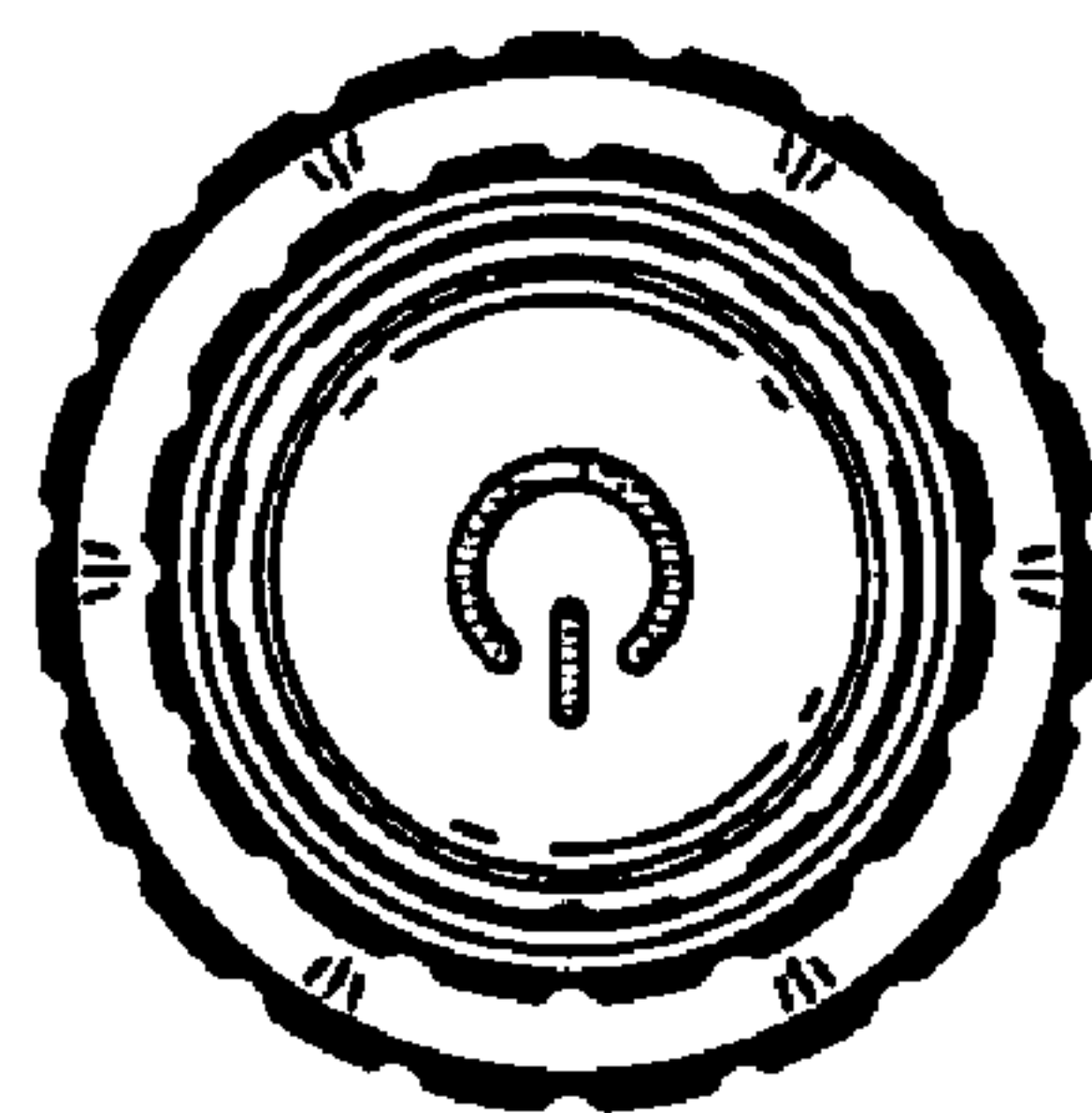


FIG. 4

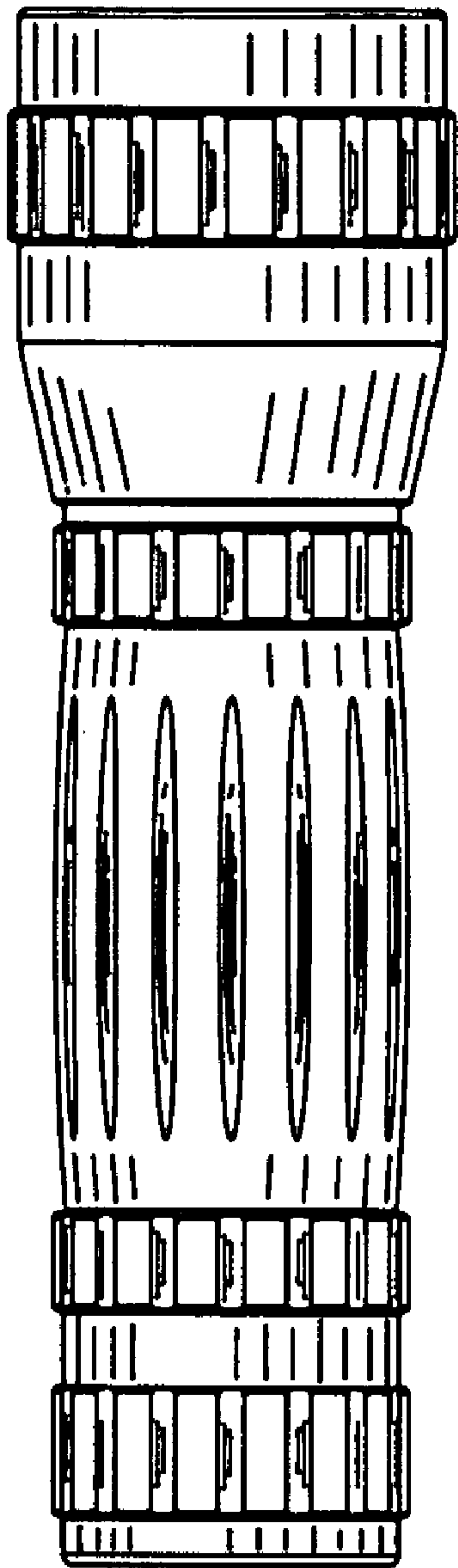


FIG. 5

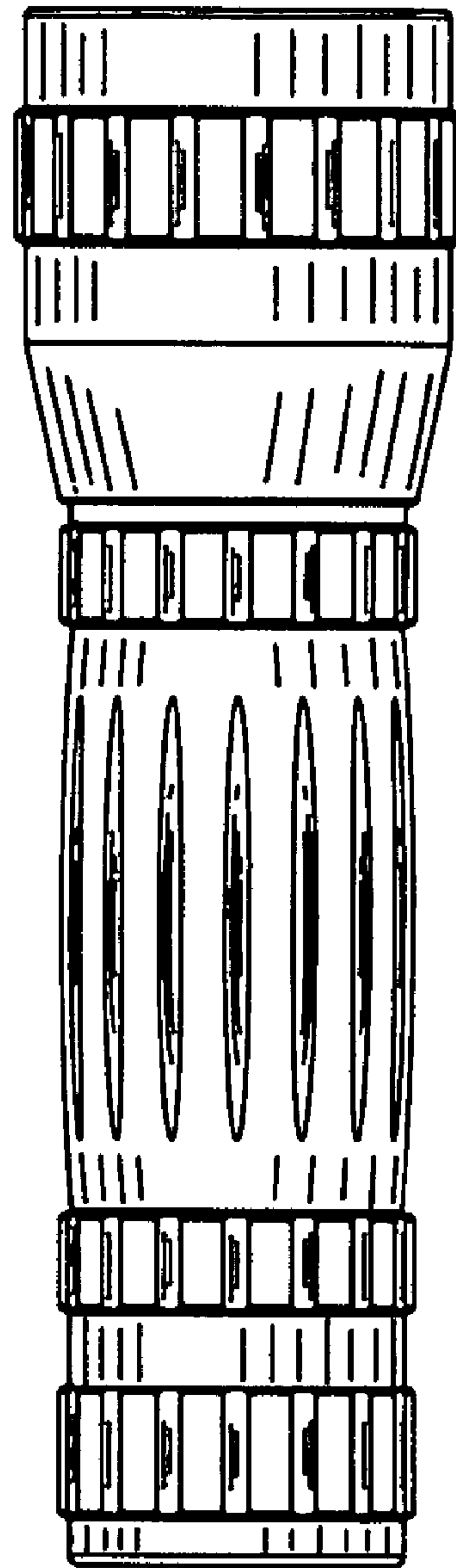


FIG. 6

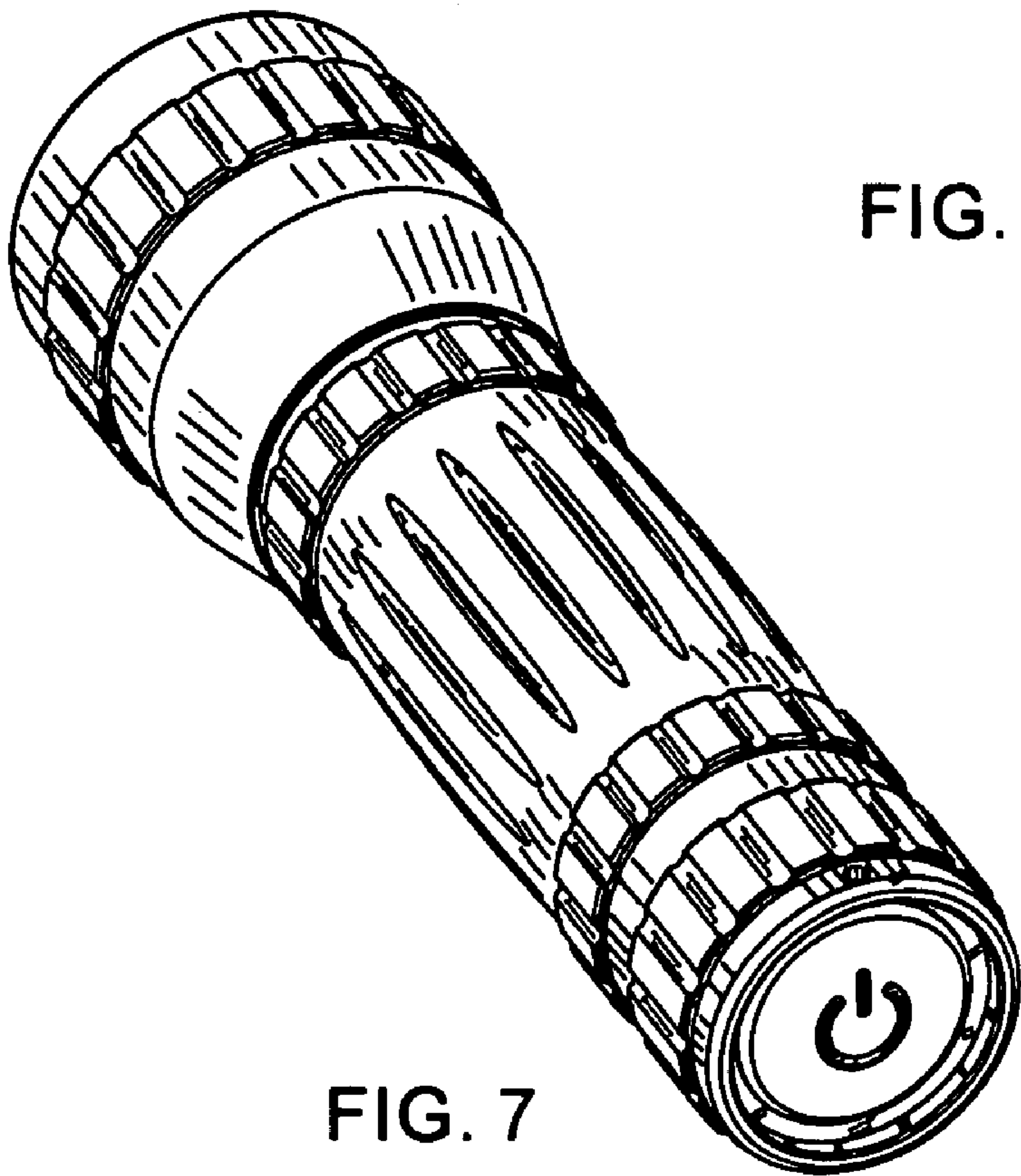


FIG. 7

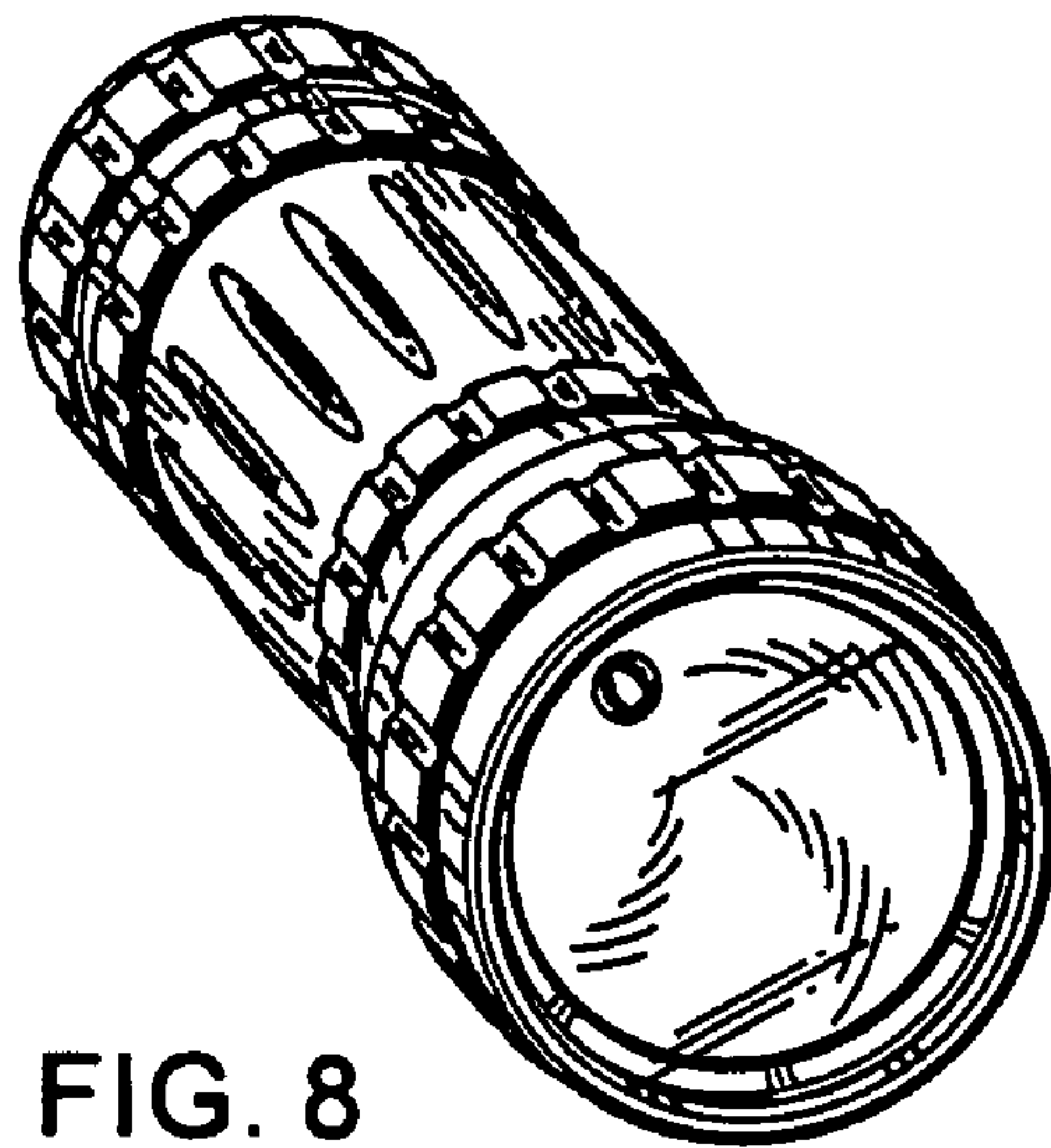


FIG. 8