



US00D569534S

(12) **United States Design Patent**  
**Hsu**

(10) **Patent No.:** **US D569,534 S**  
(45) **Date of Patent:** **\*\* May 20, 2008**

(54) **EXTERIOR SURFACE CONFIGURATION OF  
A VEHICLE FRONT LIGHT**

D560,830 S \* 1/2008 Hsu ..... D26/28

\* cited by examiner

(76) Inventor: **Hong Ming Hsu**, No. 152, Sec 2,  
Funong St. East District, Tainan City  
(TW) 701

*Primary Examiner*—Marcus A. Jackson  
(74) *Attorney, Agent, or Firm*—Alexander Chen, Esq.

(\*\*) Term: **14 Years**

(57) **CLAIM**

(21) Appl. No.: **29/299,666**

The ornamental design for an exterior surface configuration  
of a vehicle front light, as shown and described.

(22) Filed: **Dec. 31, 2007**

**DESCRIPTION**

(51) **LOC (8) Cl.** ..... **26-06**

FIG. 1 is perspective view from the front left of an exterior  
surface configuration of a vehicle front light. The drawings  
and descriptions represent the right side embodiment. The  
design also contemplates a mirror symmetrical embodiment  
on the left side of the vehicle. The dash line included denotes  
environment and is not part of the claimed design

(52) **U.S. Cl.** ..... **D26/28**

(58) **Field of Classification Search** ..... D26/28-36;  
362/459-468, 475-478, 485-487  
See application file for complete search history.

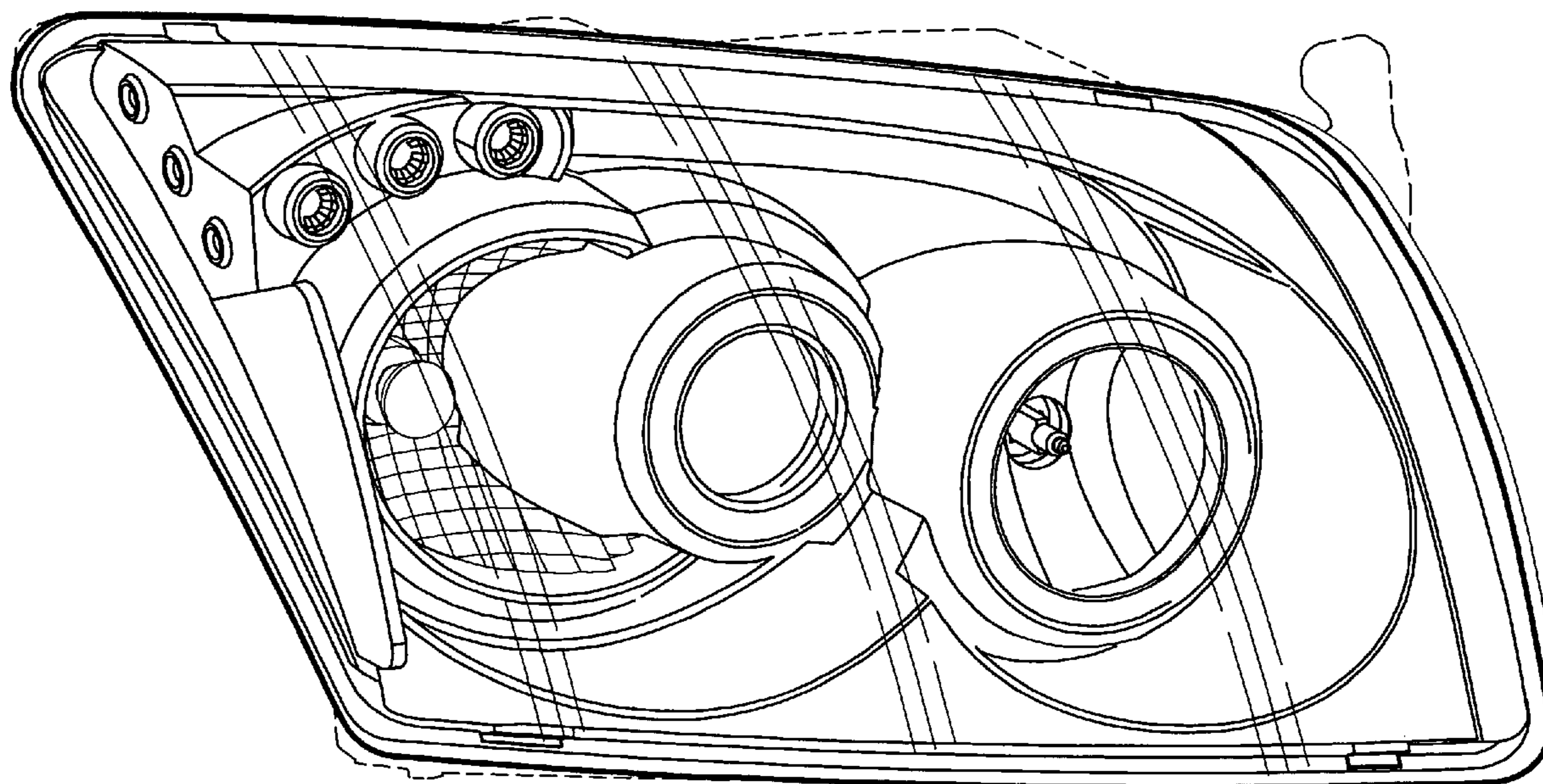
(56) **References Cited**

**U.S. PATENT DOCUMENTS**

D544,614 S \* 6/2007 Markefka ..... D26/28  
D549,855 S \* 8/2007 Moisy et al. .... D26/28  
D550,381 S \* 9/2007 Lin ..... D26/28

FIG. 2 is a front elevation view thereof;  
FIG. 3 is a left elevation view thereof; and,  
FIG. 4 is a top view thereof.

**1 Claim, 4 Drawing Sheets**



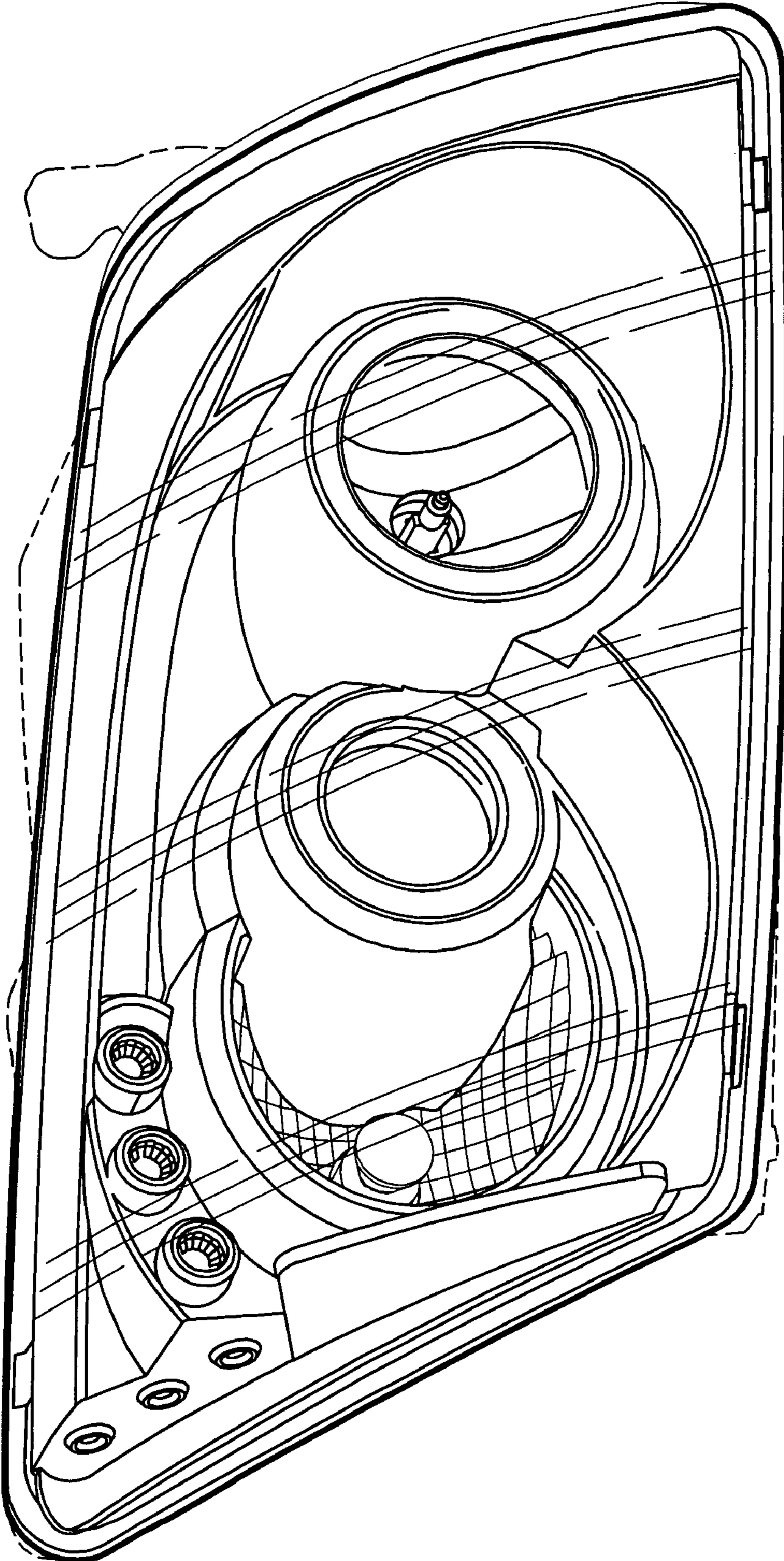


FIG. 1

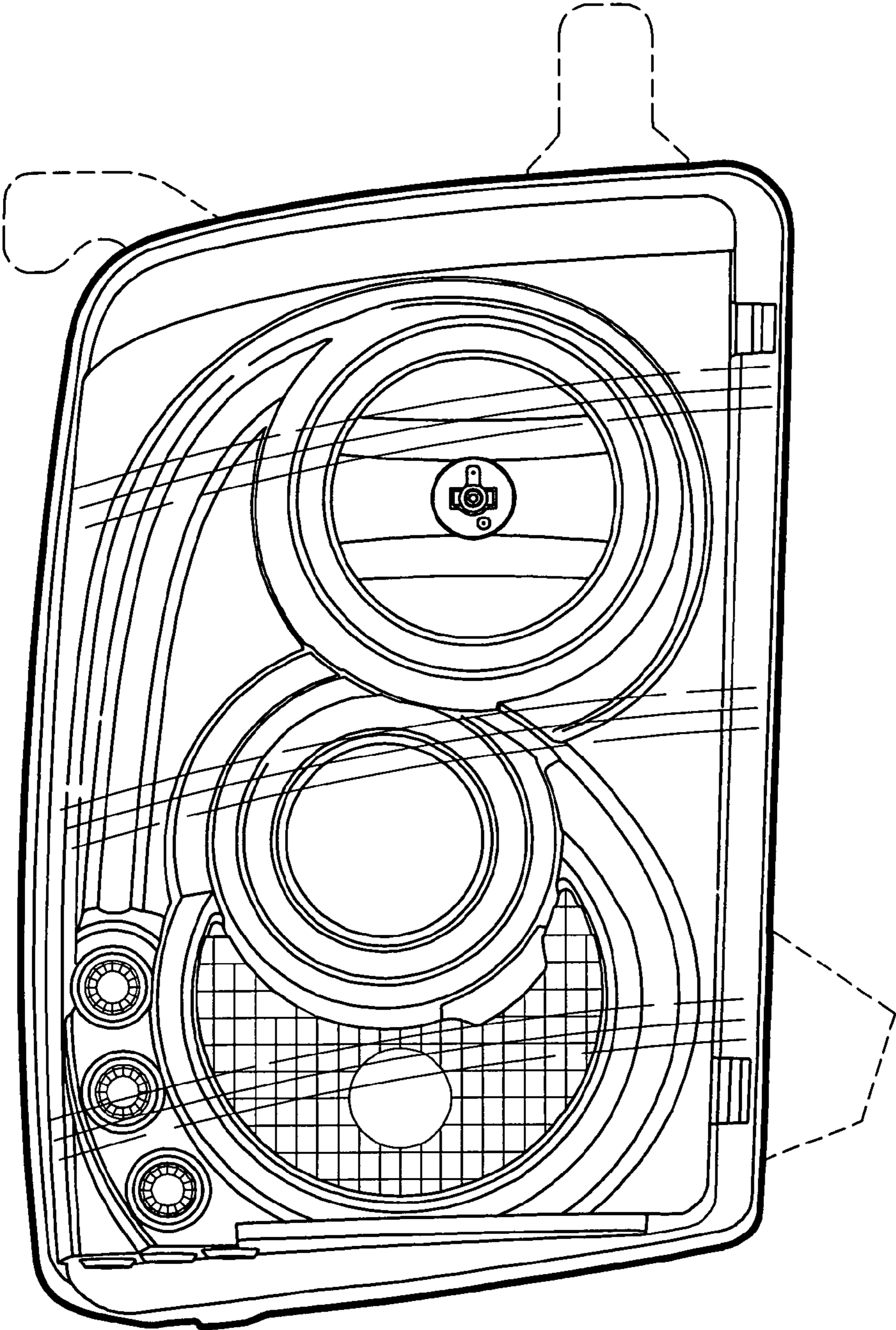


FIG. 2

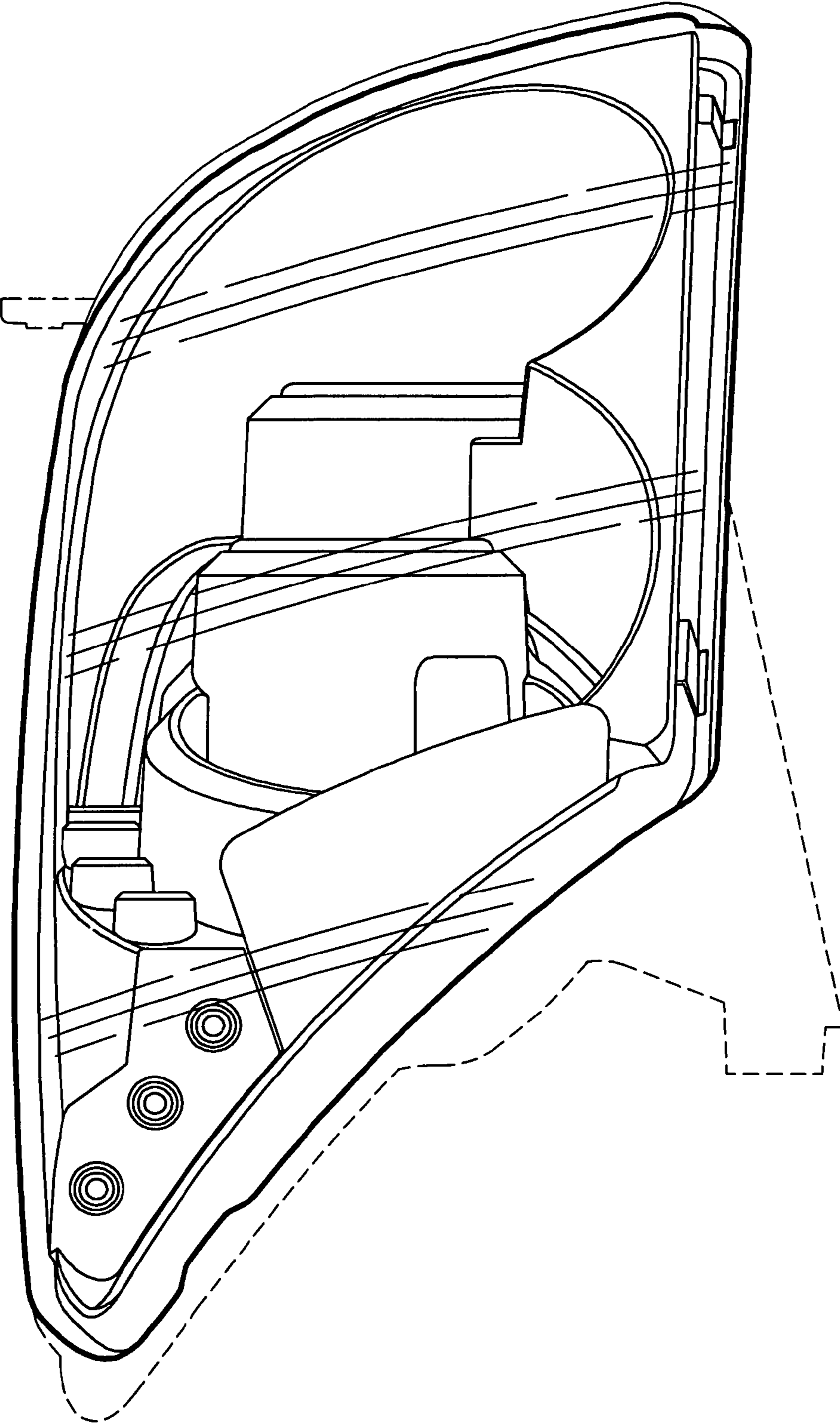


FIG. 3

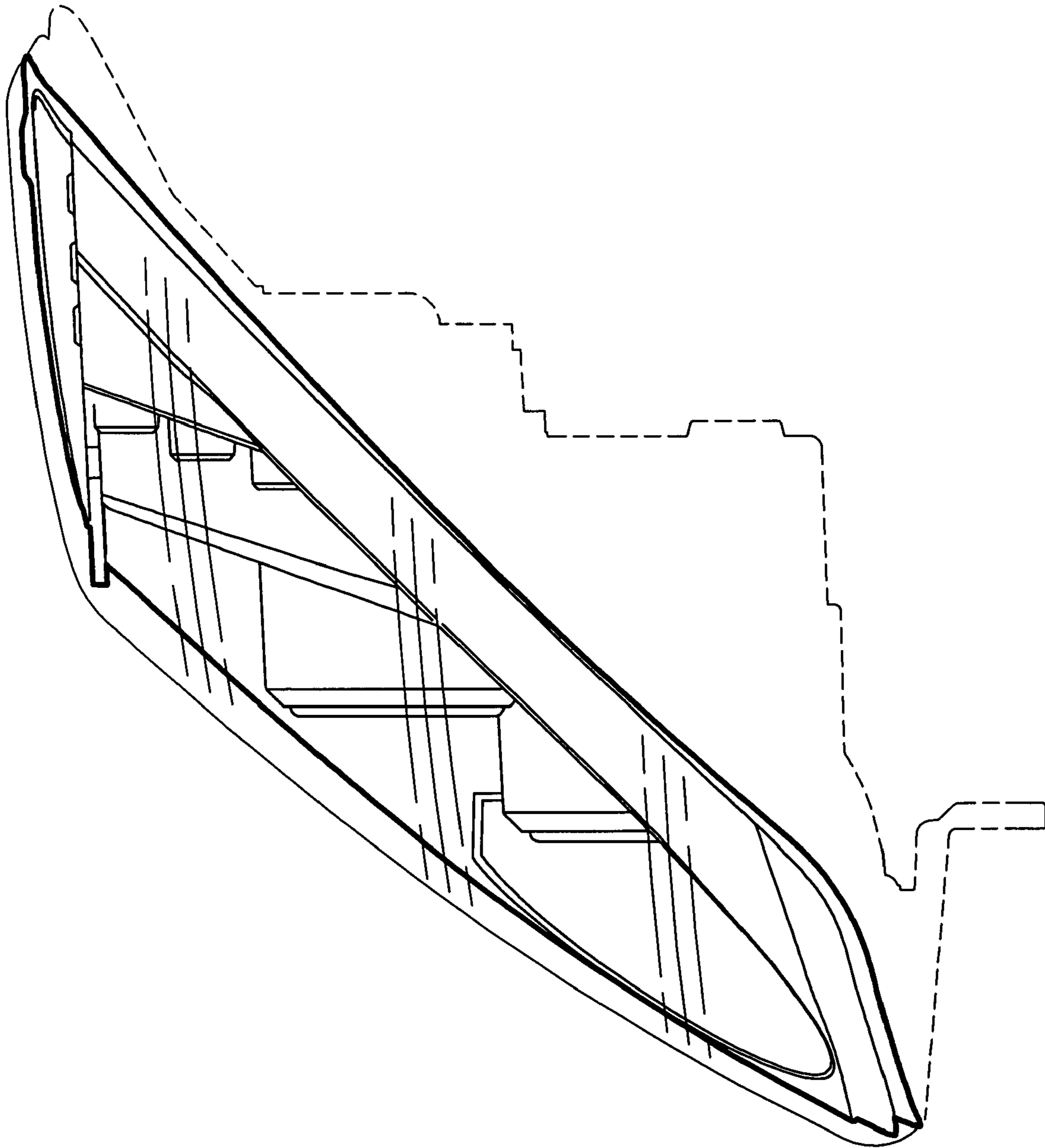


FIG. 4