

US00D569533S

(12) **United States Design Patent**
Hsu

(10) **Patent No.:** **US D569,533 S**

(45) **Date of Patent:** **** May 20, 2008**

(54) **EXTERIOR SURFACE CONFIGURATION OF
A VEHICLE FRONT LIGHT**

D560,831 S * 1/2008 Hsu D26/28

* cited by examiner

(76) **Inventor:** **Hong Ming Hsu**, No 152, Sec 2,
Funong St. East District, Tainan City
(TW) 701

Primary Examiner—Marcus A. Jackson
(74) *Attorney, Agent, or Firm*—Alexander Chen, Esq.

(**) **Term:** **14 Years**

(57) **CLAIM**

(21) **Appl. No.:** **29/299,663**

The ornamental design for an exterior surface configuration
of a vehicle front light, as shown and described.

(22) **Filed:** **Dec. 31, 2007**

DESCRIPTION

(51) **LOC (8) Cl.** **26-06**

(52) **U.S. Cl.** **D26/28**

(58) **Field of Classification Search** D26/28-36;
362/459-468, 475-478, 485-487
See application file for complete search history.

FIG. 1 is perspective view from the front right of an exterior
surface configuration of a vehicle front light. The drawings
and descriptions represent the left side embodiment. The
design also contemplates a mirror symmetrical embodiment
on the right side of the vehicle. The dash line included
denotes environment and is not part of the claimed design

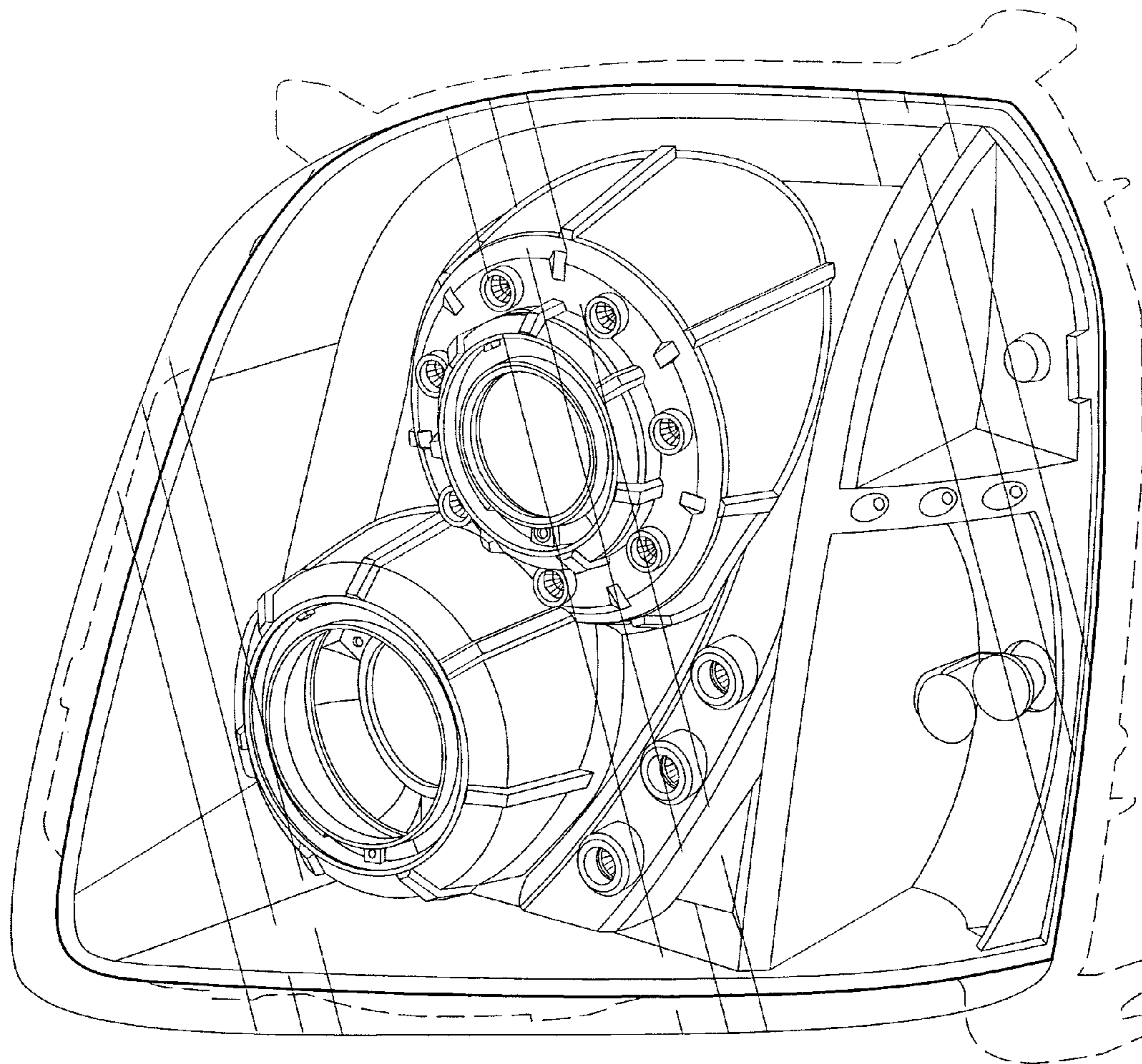
(56) **References Cited**

U.S. PATENT DOCUMENTS

D462,798 S *	9/2002	Sakae	D26/28
D466,634 S *	12/2002	Lin	D26/28
D490,174 S *	5/2004	Lin	D26/28
D538,954 S *	3/2007	Pfeiffer	D26/28

FIG. 2 is a front elevation view thereof;
FIG. 3 is a right elevation view thereof, and,
FIG. 4 is a top view thereof.

1 Claim, 4 Drawing Sheets



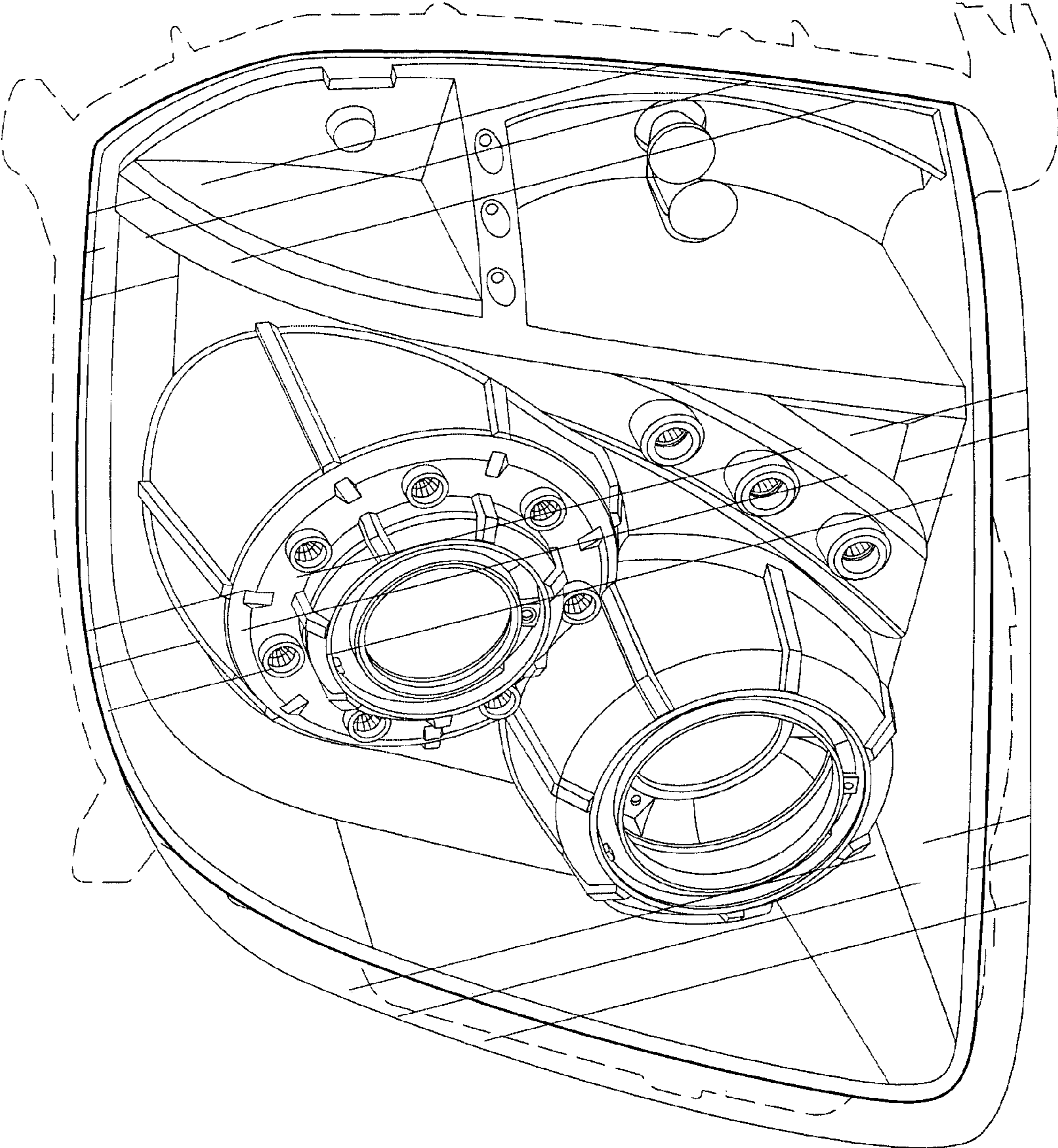


Fig. 1

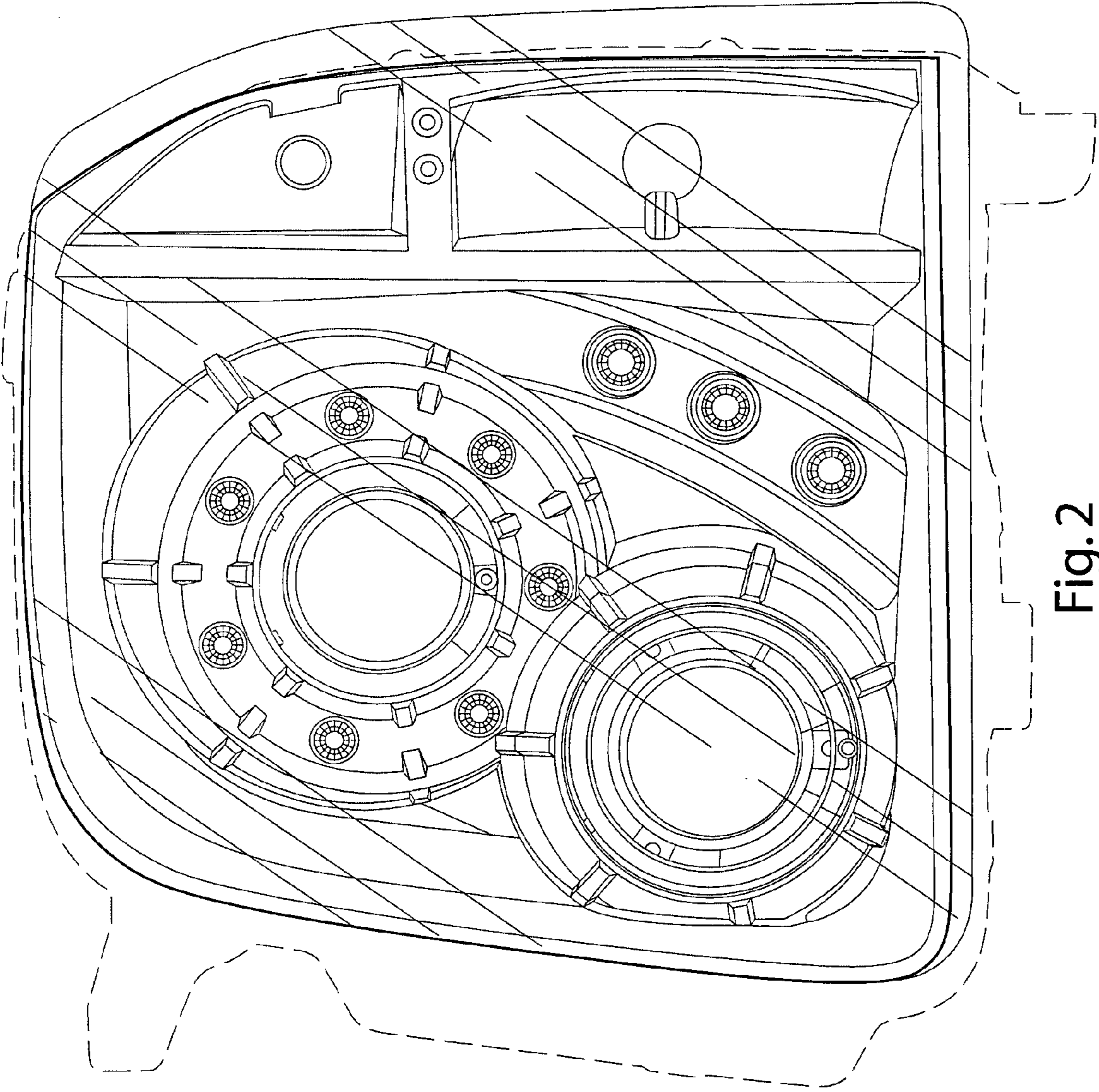


Fig. 2

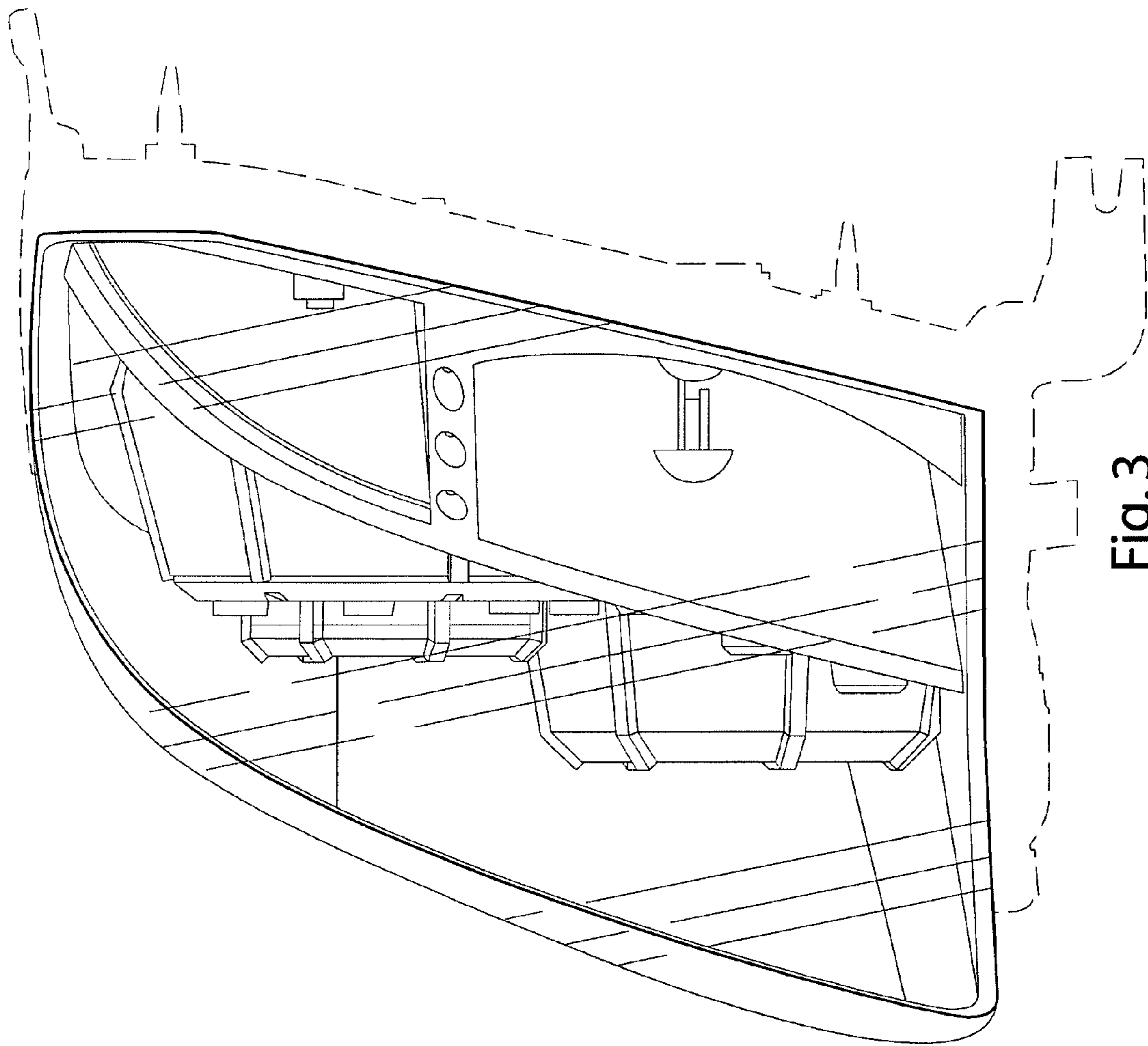


Fig. 3

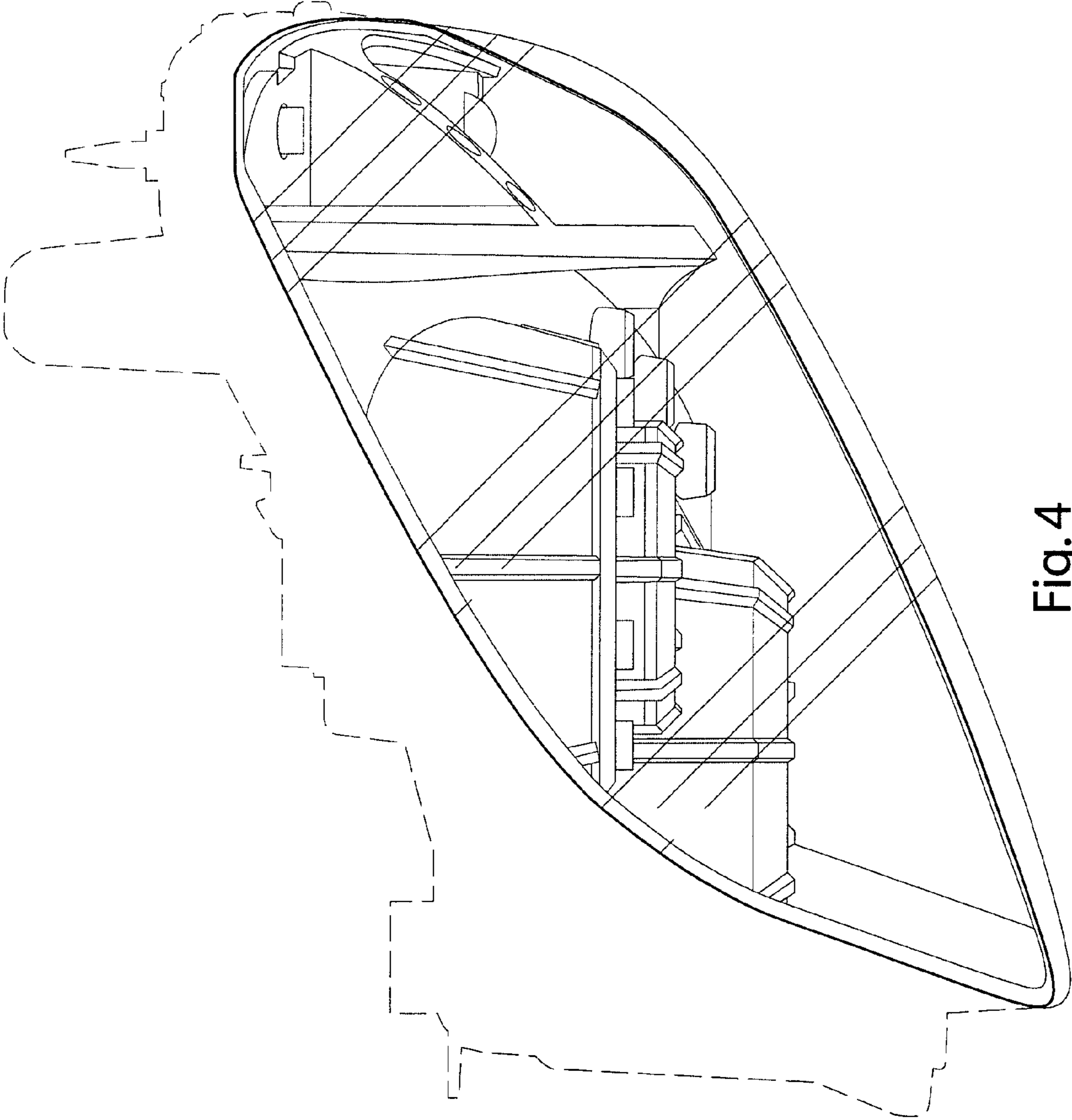


Fig. 4