

US00D569531S

(12) **United States Design Patent**  
**Pfeiffer**

(10) **Patent No.:** **US D569,531 S**

(45) **Date of Patent:** **\*\* May 20, 2008**

(54) **TAILLIGHT FOR A VEHICLE**

(74) *Attorney, Agent, or Firm*—Crowell & Moring LLP

(75) **Inventor:** **Peter Pfeiffer**, Boeblingen (DE)

(57) **CLAIM**

(73) **Assignee:** **DaimlerChrysler AG**, Stuttgart (DE)

The ornamental design for a taillight for a vehicle, as shown and described.

(\*\*) **Term:** **14 Years**

(21) **Appl. No.:** **29/290,121**

**DESCRIPTION**

(22) **Filed:** **Oct. 23, 2007**

This application is related to the following co-pending applications: Application Ser. No. 29/290,118, entitled "Taillight for a Vehicle"; Application Ser. No. 29/290,120, entitled "Taillight for a Vehicle"; Application Ser. No. 29/290,122, entitled "Taillight for a Vehicle"; and

(30) **Foreign Application Priority Data**

Apr. 24, 2007 (DE) ..... 40702161

Application Ser. No. 29/271,921, entitled "Vehicle, Toy, and/or Other Replicas."

(51) **LOC (8) Cl.** ..... **26-06**

(52) **U.S. Cl.** ..... **D26/28**

(58) **Field of Classification Search** ..... D26/28-36;  
362/459-468, 475-478, 485-487

FIG. 1 is a front view of a first embodiment of a taillight for a vehicle according to my novel design;

See application file for complete search history.

FIG. 2 is a side view thereof; and

(56) **References Cited**

FIG. 3 is a top view thereof.

**U.S. PATENT DOCUMENTS**

FIG. 4 is a front view of a second embodiment of the taillight for a vehicle according to my novel design;

D539,450 S \* 3/2007 Pfeiffer ..... D26/28

D549,363 S \* 8/2007 Pfeiffer ..... D26/28

D552,769 S \* 10/2007 Leclercq ..... D26/28

D553,269 S \* 10/2007 Pfeiffer et al. .... D26/28

D561,357 S \* 2/2008 Leclercq ..... D26/28

FIG. 5 is a side view thereof; and,

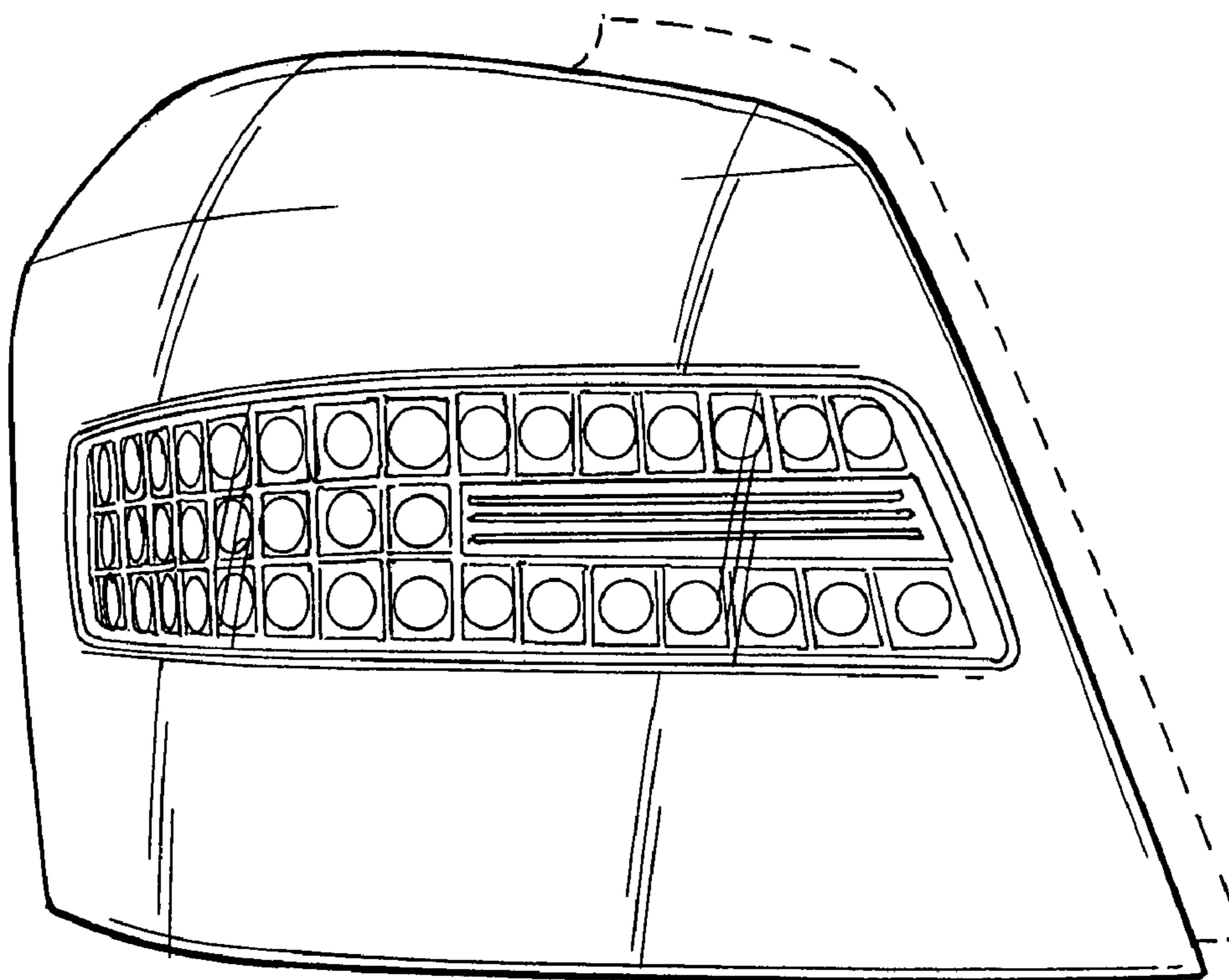
FIG. 6 is a top view thereof.

\* cited by examiner

The broken lines are for illustrative purposes only and form no part of the claimed design. Also enclosed is a set of photographs of an embodiment of the design.

*Primary Examiner*—Marcus A. Jackson

**1 Claim, 4 Drawing Sheets**



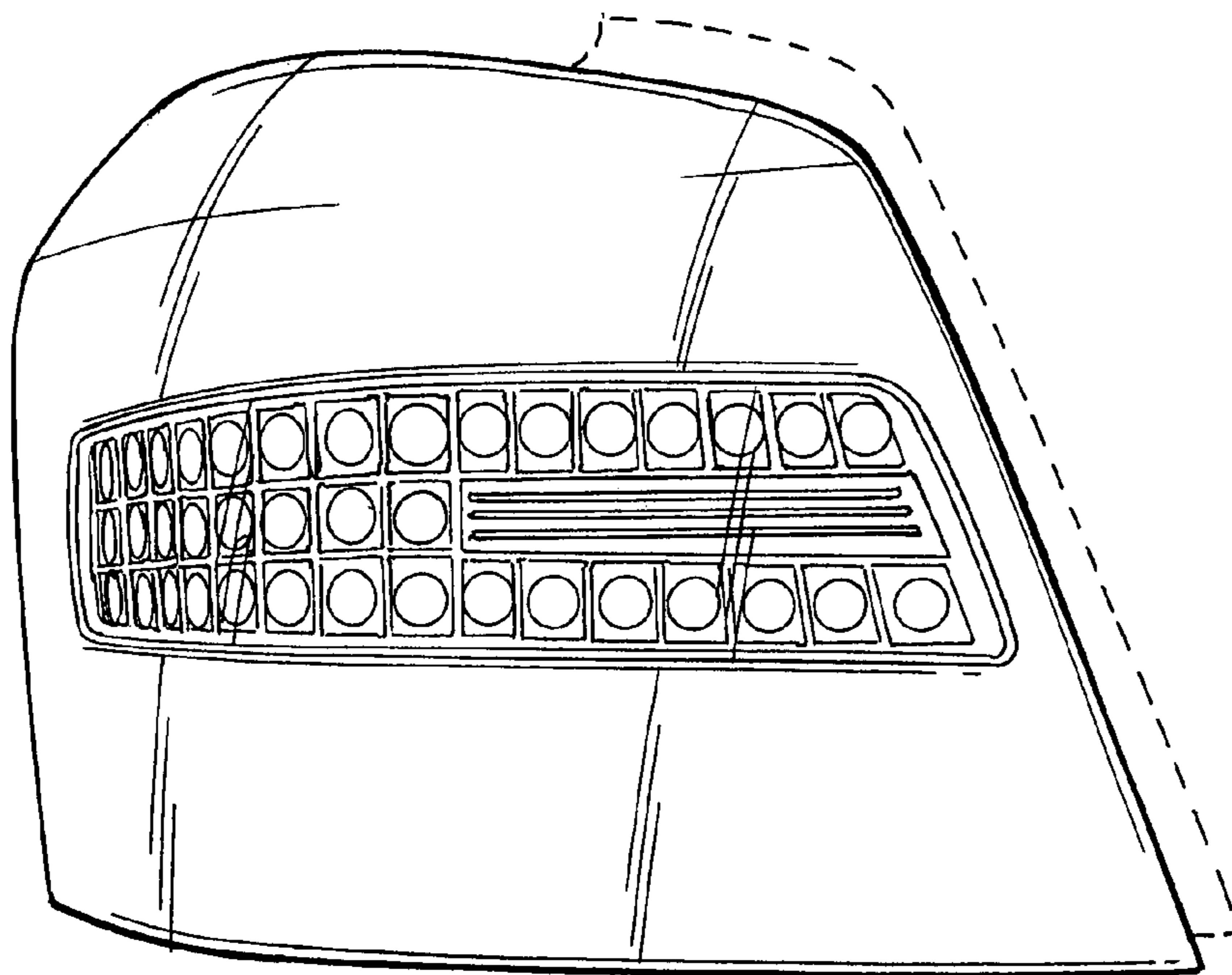


FIG. 1

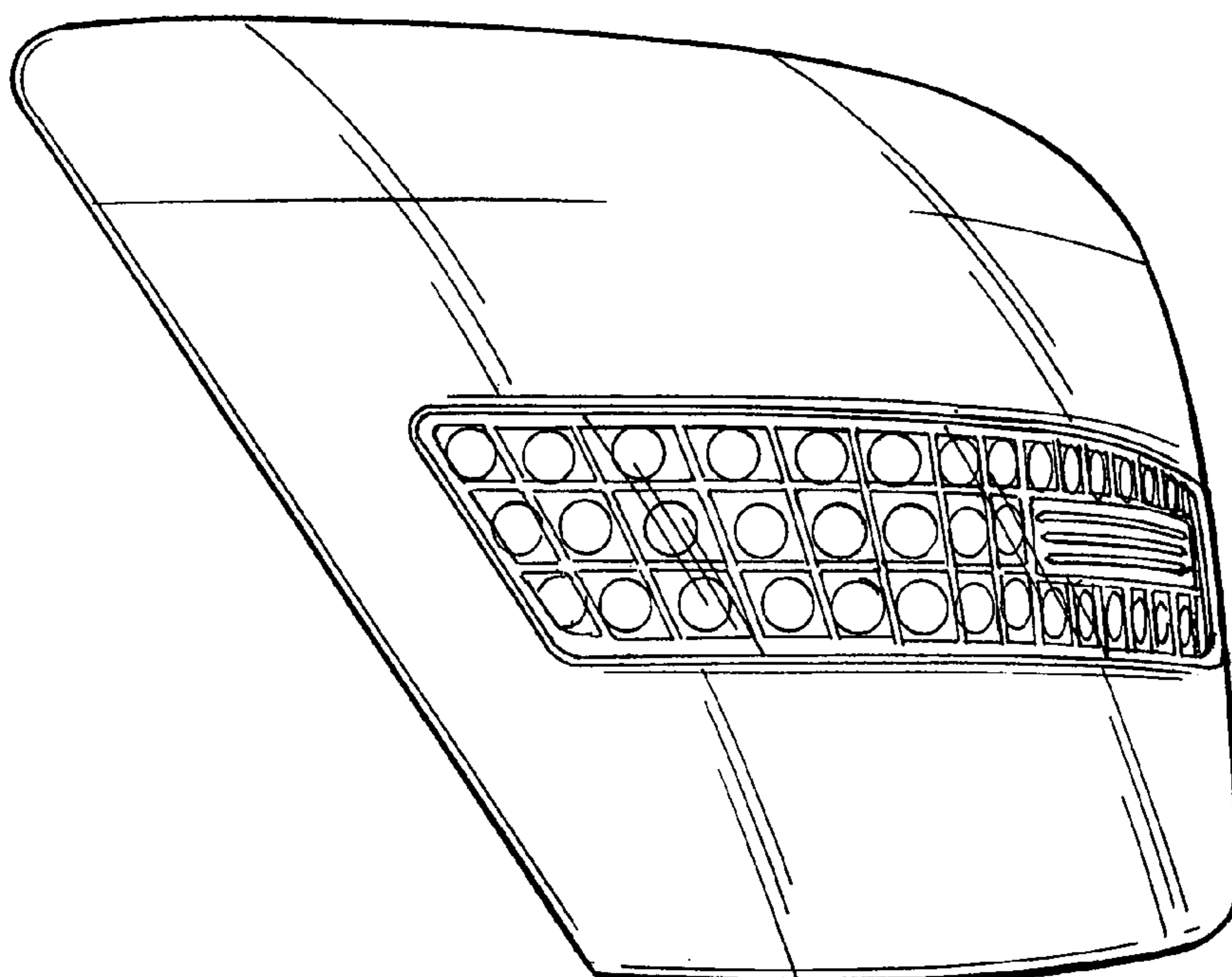


FIG. 2

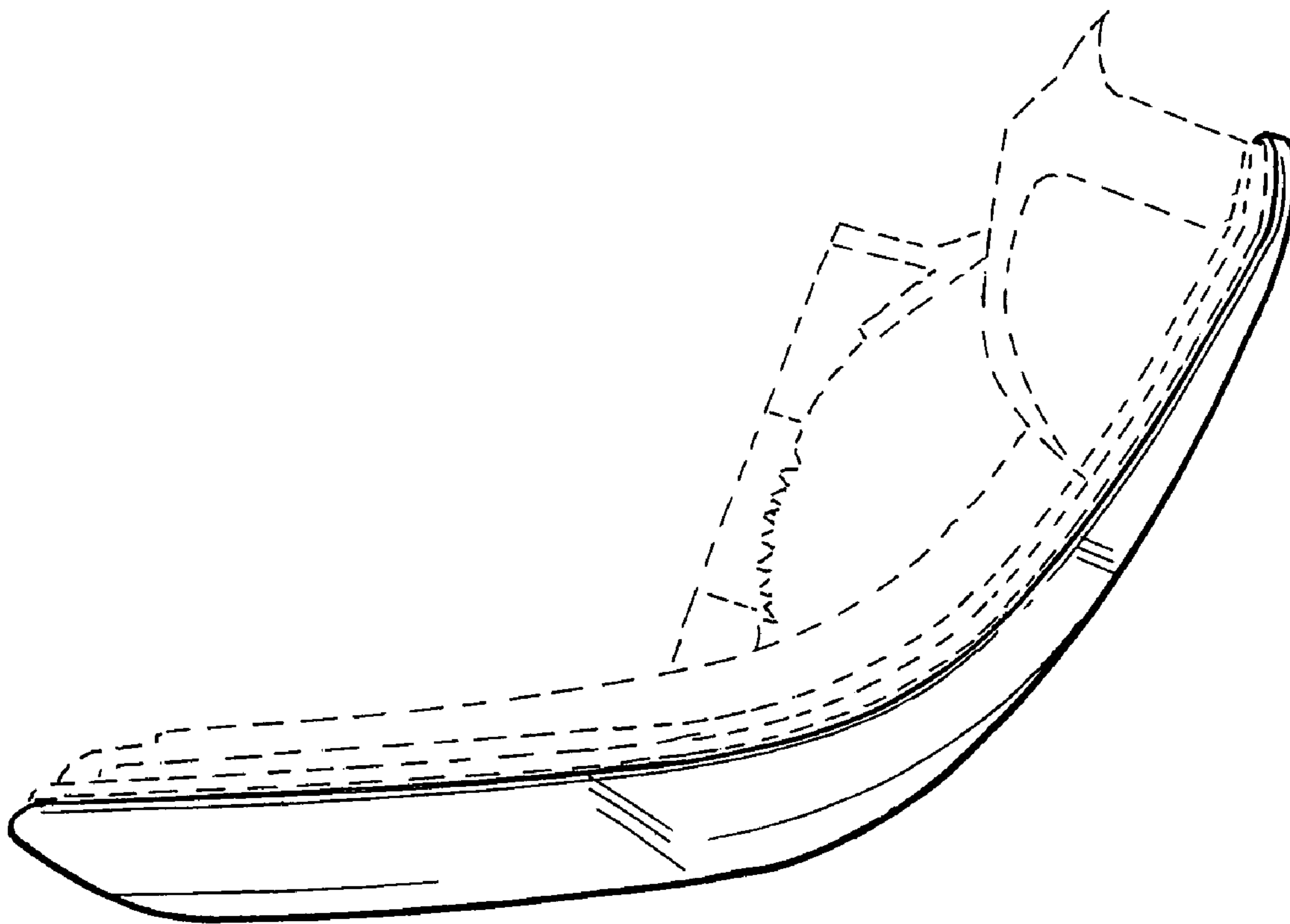


FIG .3

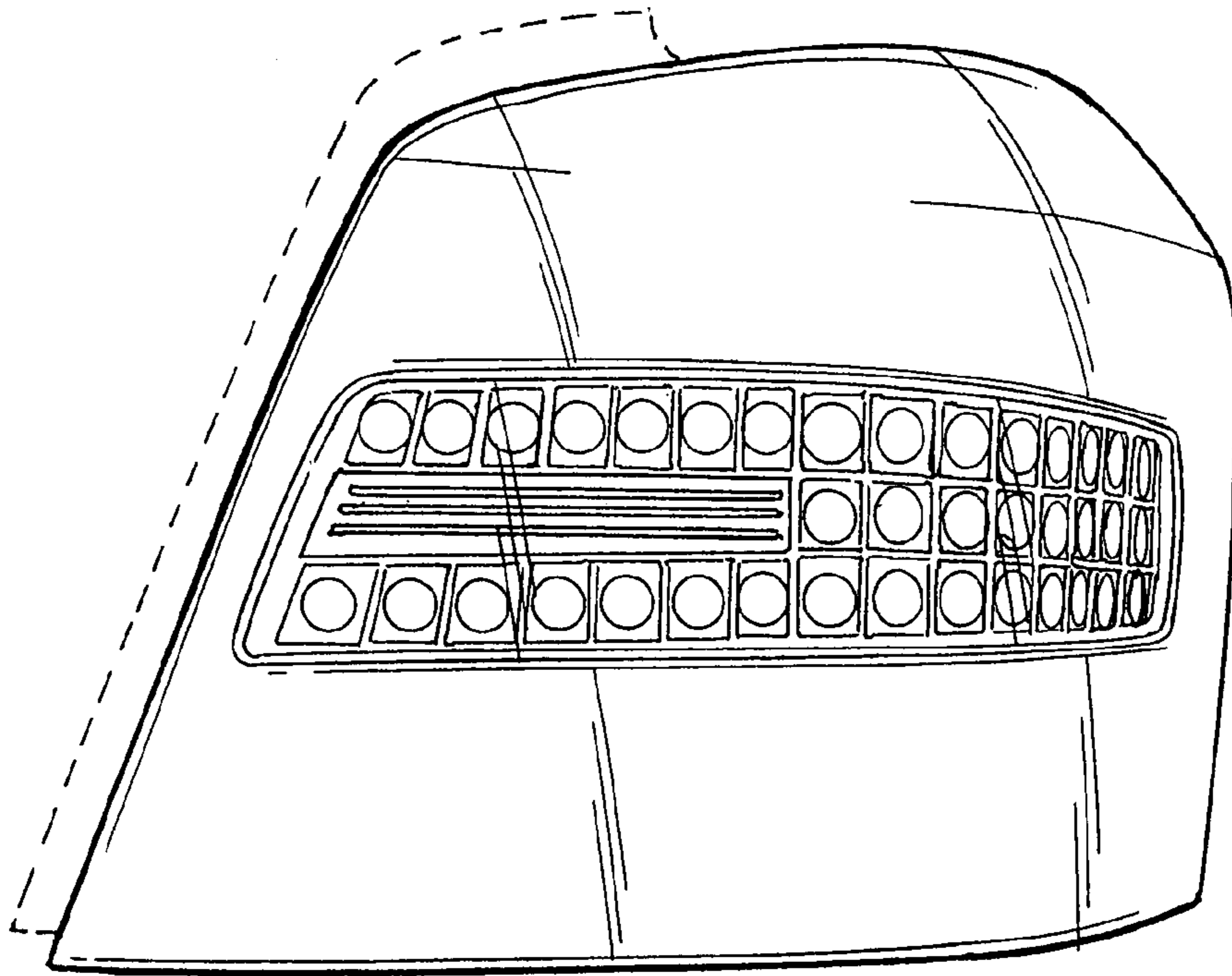


FIG. 4

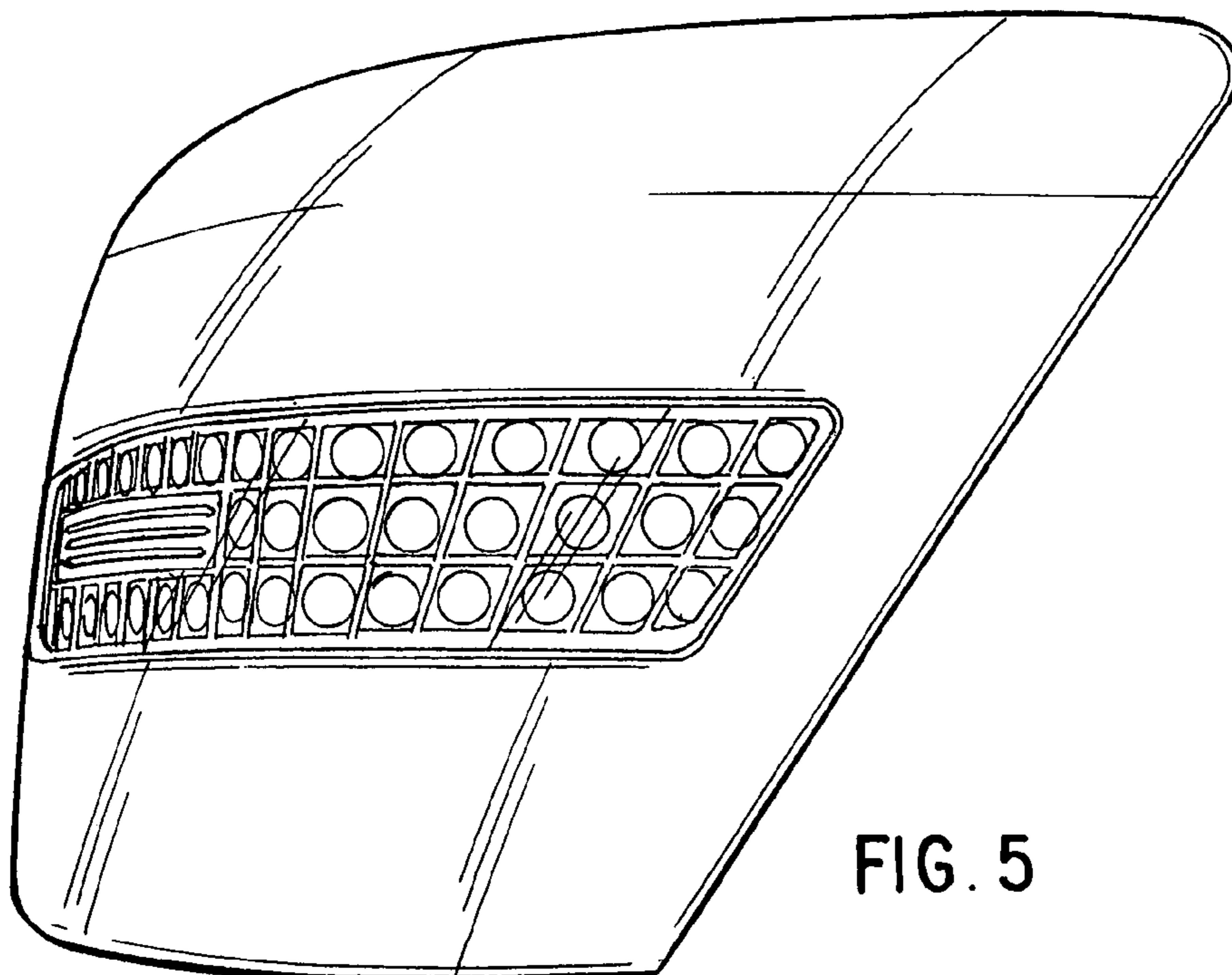


FIG. 5

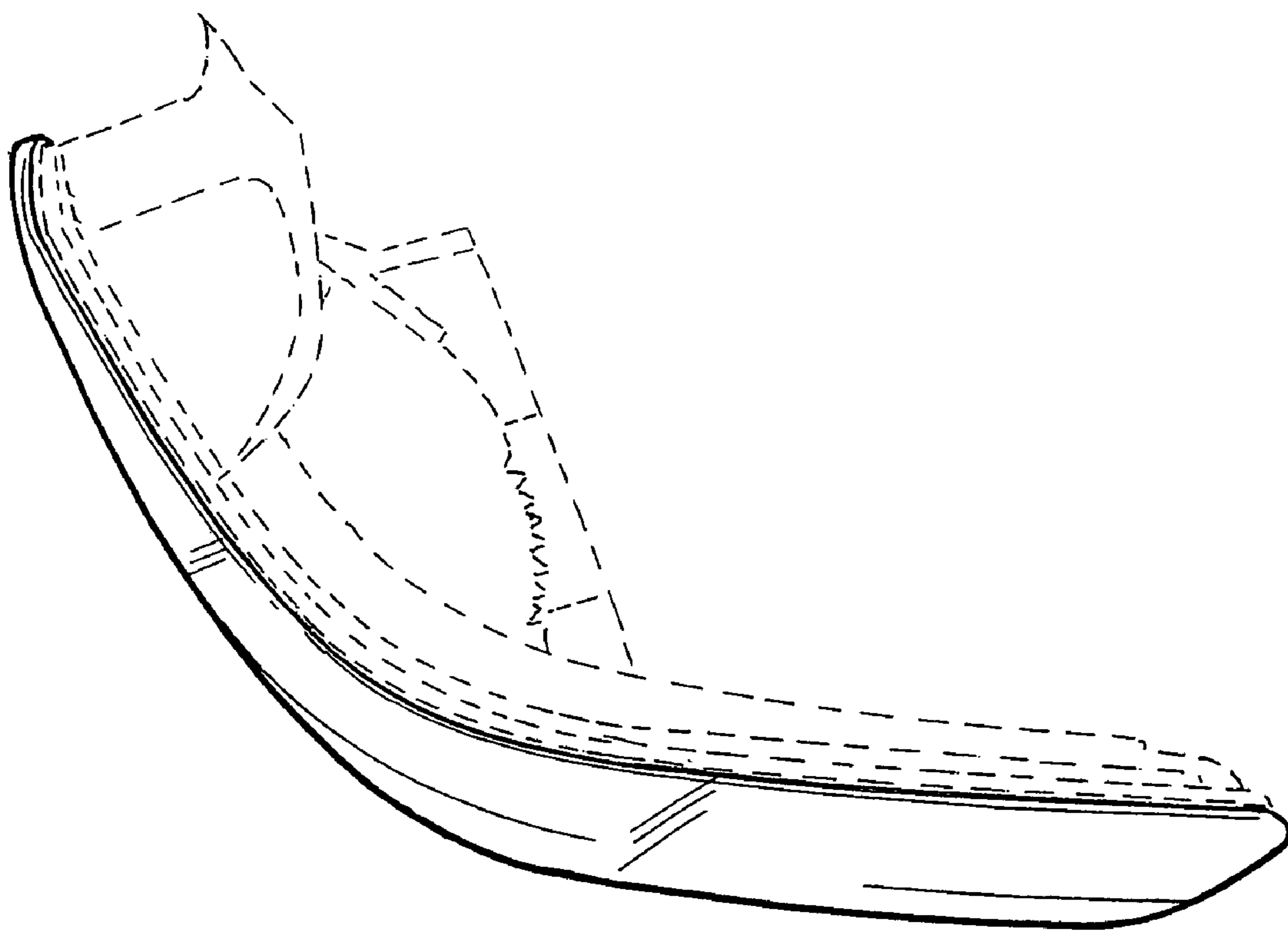


FIG. 6