



US00D569530S

(12) **United States Design Patent** (10) **Patent No.:** **US D569,530 S**  
**Pfeiffer** (45) **Date of Patent:** **\*\* May 20, 2008**

(54) **TAILLIGHT FOR A VEHICLE**

(74) *Attorney, Agent, or Firm*—Crowell & Moring LLP

(75) **Inventor:** **Peter Pfeiffer**, Boeblingen (DE)

(57) **CLAIM**

(73) **Assignee:** **DaimlerChrysler AG**, Stuttgart (DE)

The ornamental design for a taillight for a vehicle, as shown and described.

(\*\*) **Term:** **14 Years**

(21) **Appl. No.:** **29/290,120**

**DESCRIPTION**

(22) **Filed:** **Oct. 23, 2007**

This application is related to the following co-pending applications: Application Ser. No. 29/290,118, entitled "Taillight for a Vehicle"; Application Ser. No. 29/290,121, entitled "Taillight for a Vehicle"; Application Ser. No. 29/290,122, entitled "Taillight for a Vehicle"; Application Ser. No. 29/271,921, entitled "Vehicle, Toy, and/or Other Replicas."

(30) **Foreign Application Priority Data**

Apr. 24, 2007 (DE) ..... 4 07 02 161

(51) **LOC (8) Cl.** ..... **26-06**

(52) **U.S. Cl.** ..... **D26/28**

(58) **Field of Classification Search** ..... D26/28-36;  
362/459-468, 475-478, 485-487

See application file for complete search history.

FIG. 1 is a front view of a first embodiment of a taillight for a vehicle according to my novel design;

FIG. 2 is a side view thereof; and

FIG. 3 is a top view thereof.

FIG. 4 is a front view of a second embodiment of the taillight for a vehicle according to my novel design;

FIG. 5 is a side view thereof; and,

FIG. 6 is a top view thereof.

(56) **References Cited**

**U.S. PATENT DOCUMENTS**

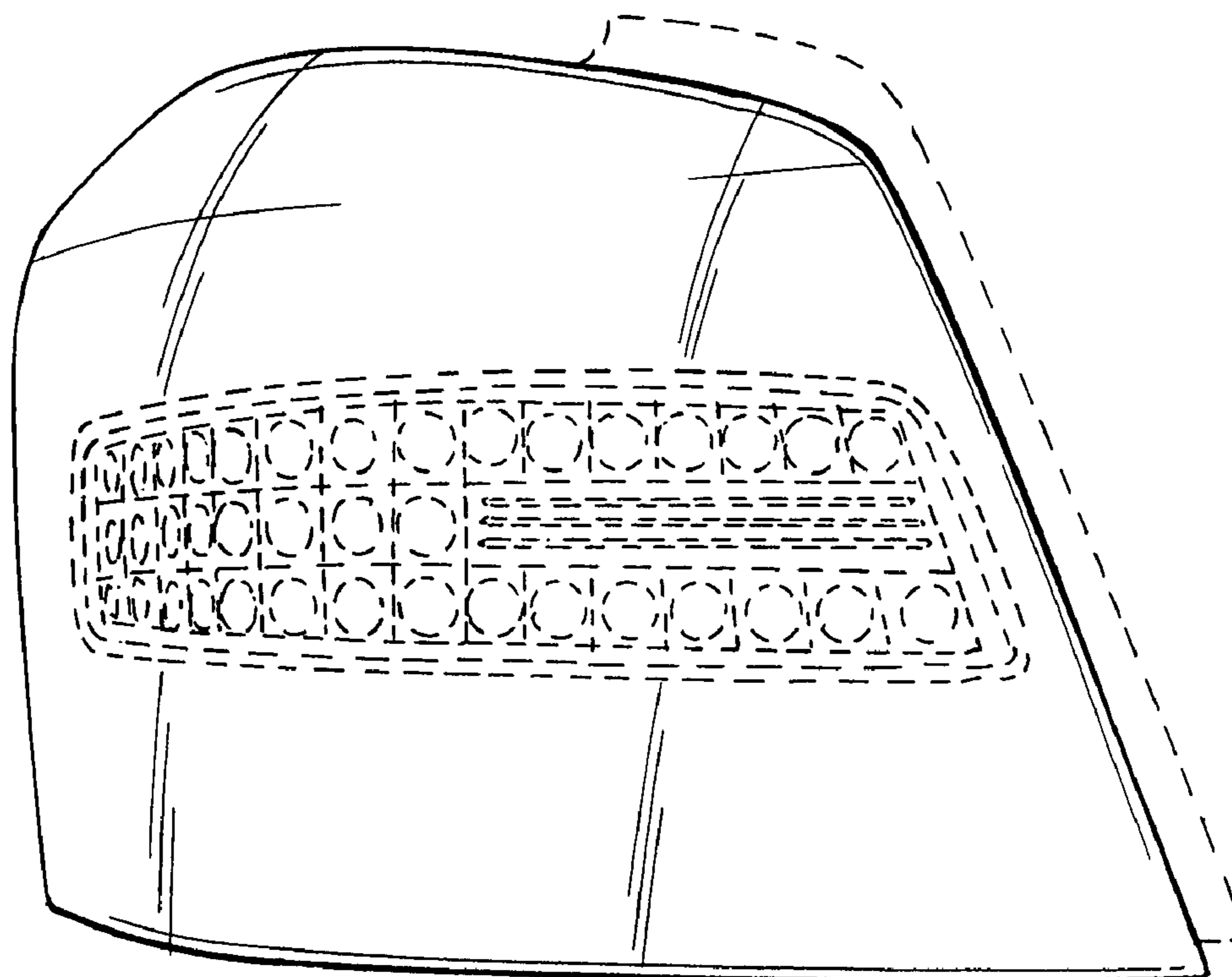
D539,450 S *	3/2007	Pfeiffer	.....	D26/28
D549,363 S *	8/2007	Pfeiffer	.....	D26/28
D552,769 S *	10/2007	Leclercq	.....	D26/28
D553,269 S *	10/2007	Pfeiffer et al.	.....	D26/28
D561,357 S *	2/2008	Leclercq	.....	D26/28

The broken lines are for illustrative purposes only and form no part of the claimed design. Also enclosed is a set of photographs of an embodiment of the design.

\* cited by examiner

*Primary Examiner*—Marcus A. Jackson

**1 Claim, 4 Drawing Sheets**



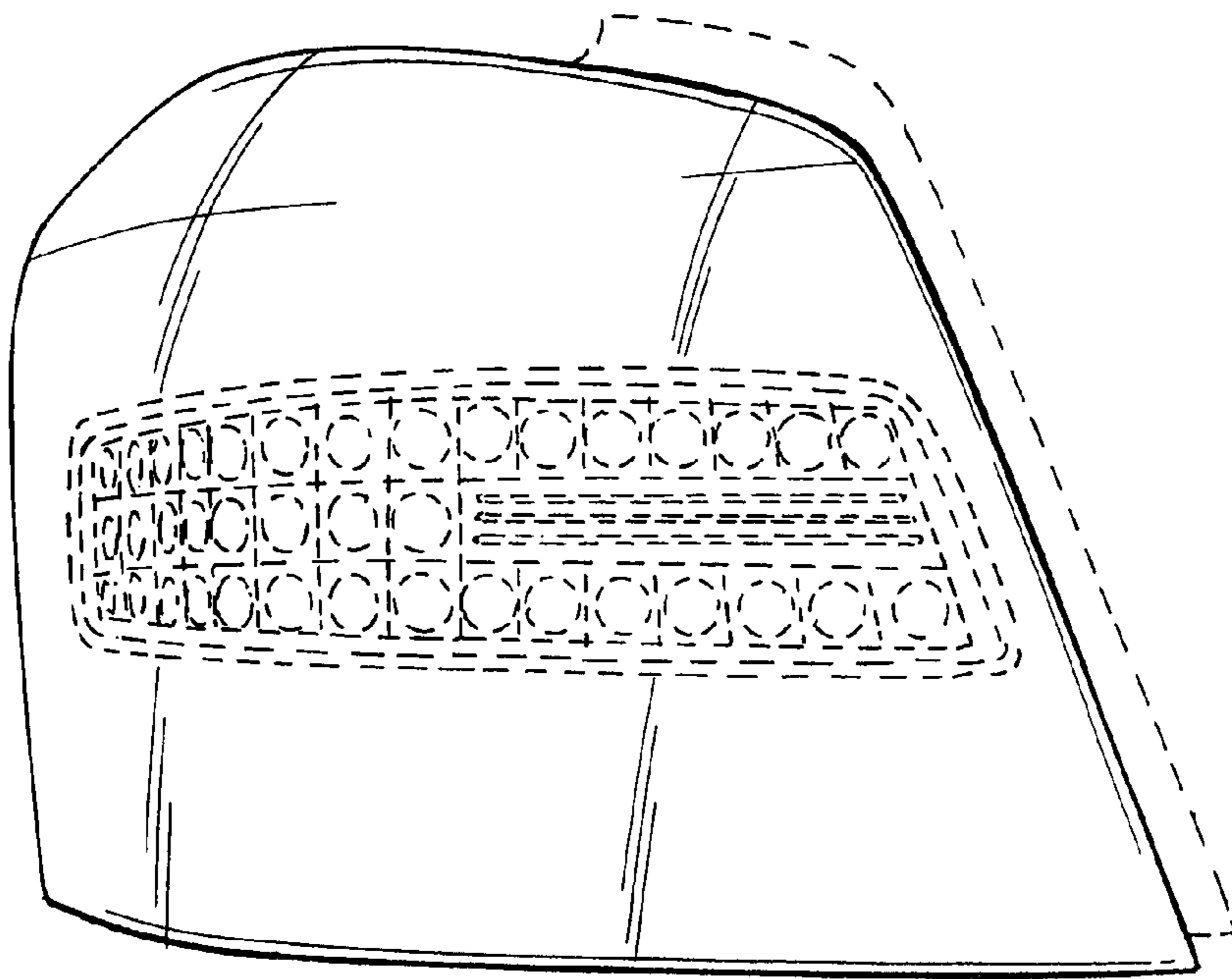


FIG. 1

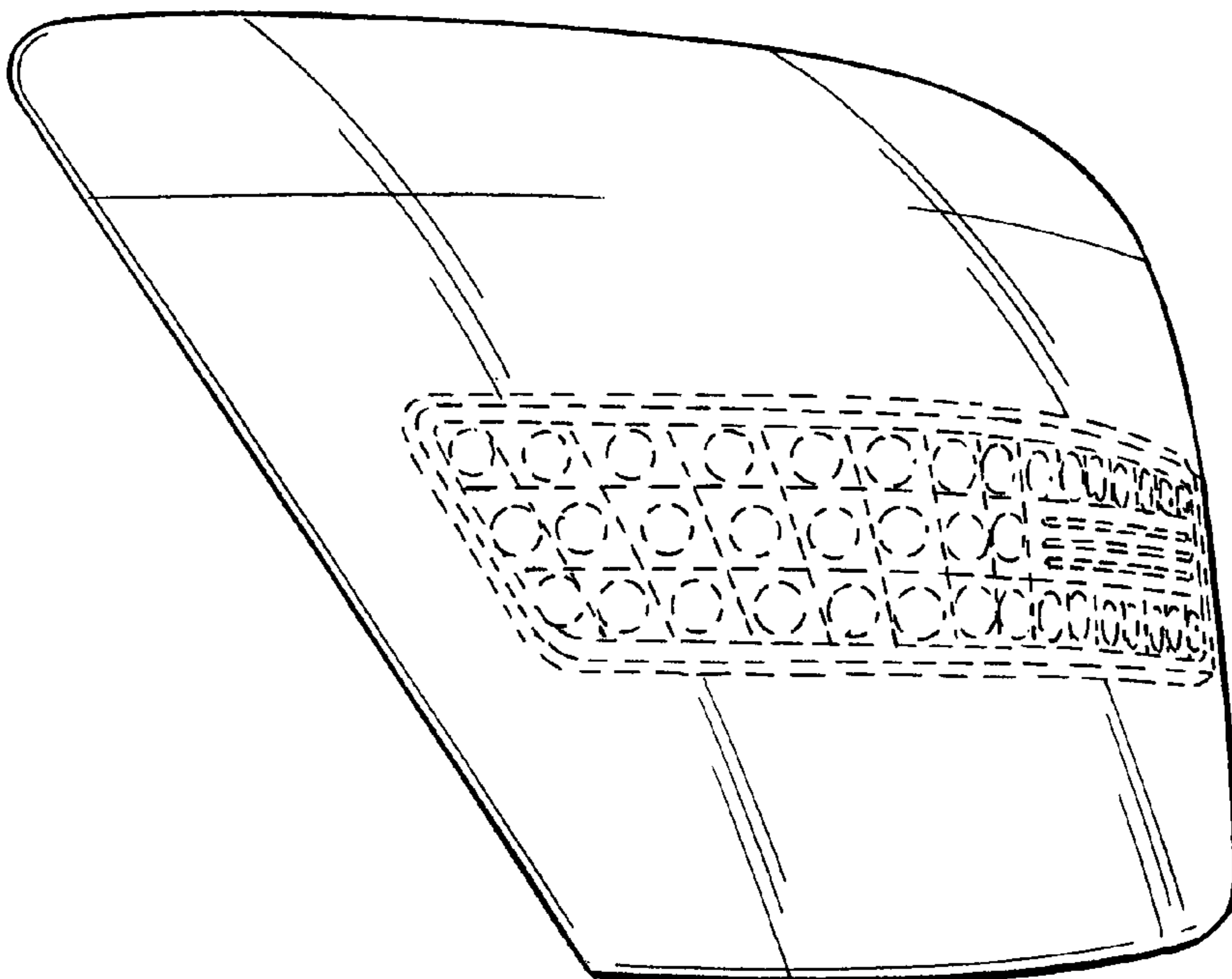


FIG. 2

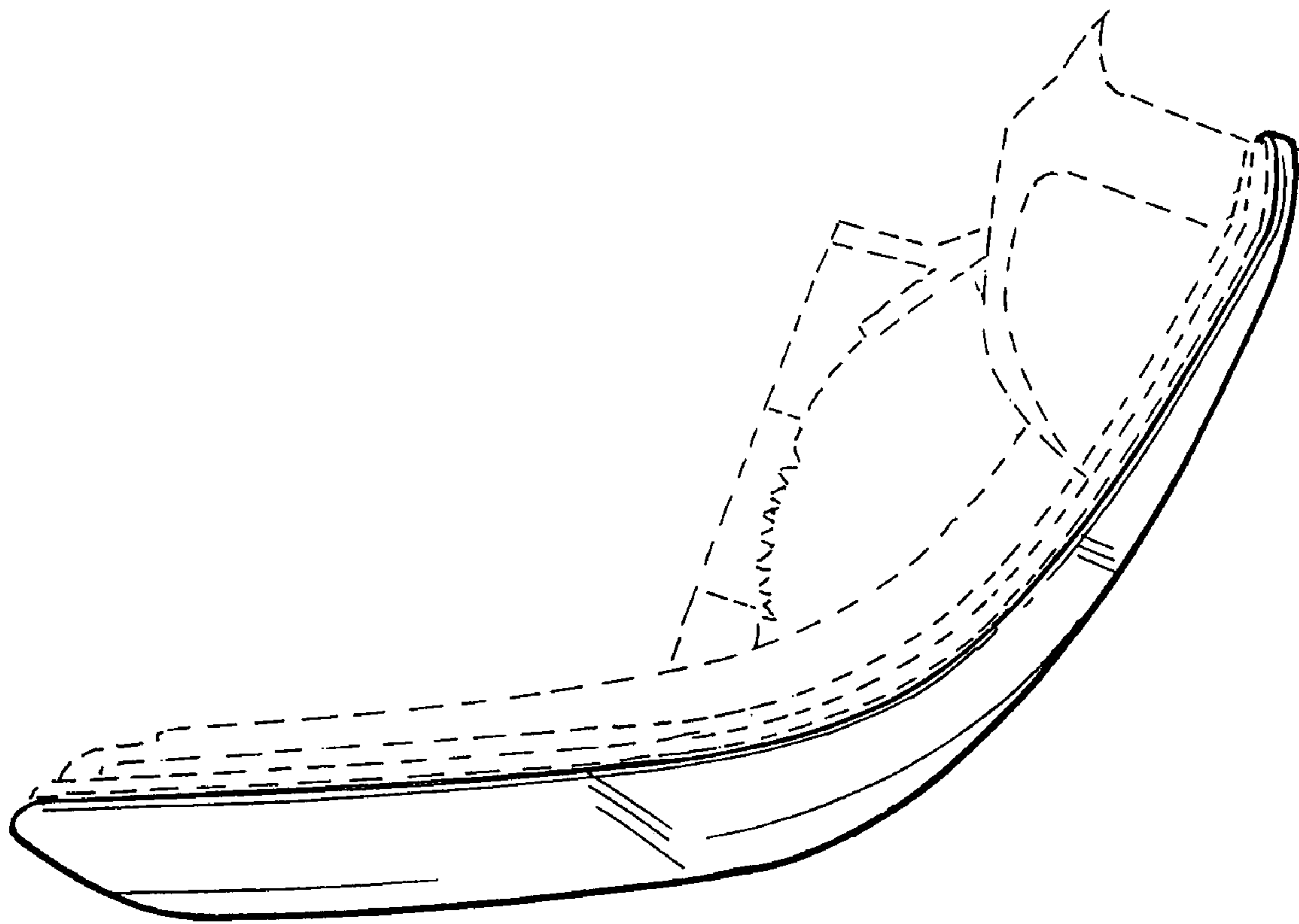


FIG. 3

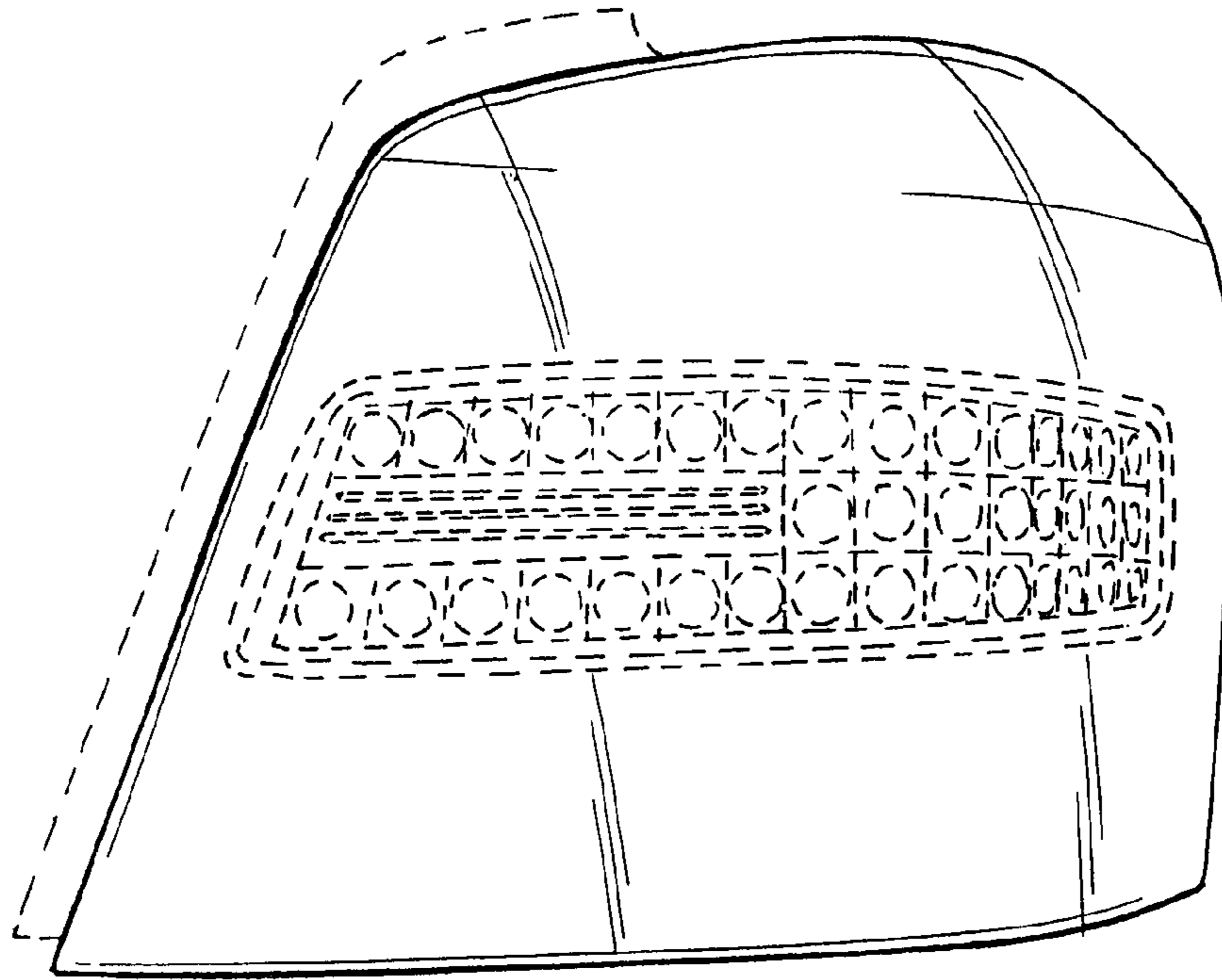


FIG. 4

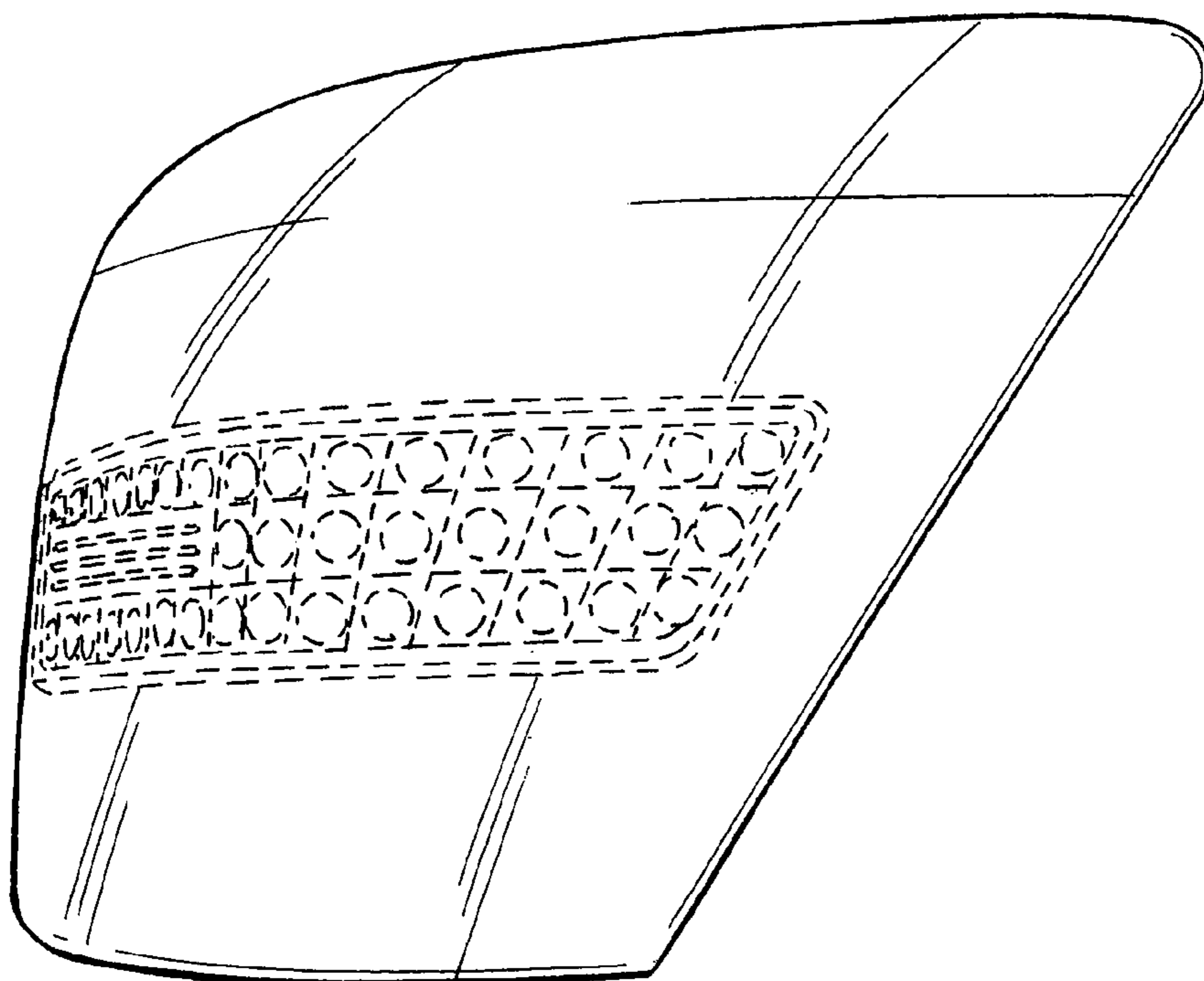


FIG. 5

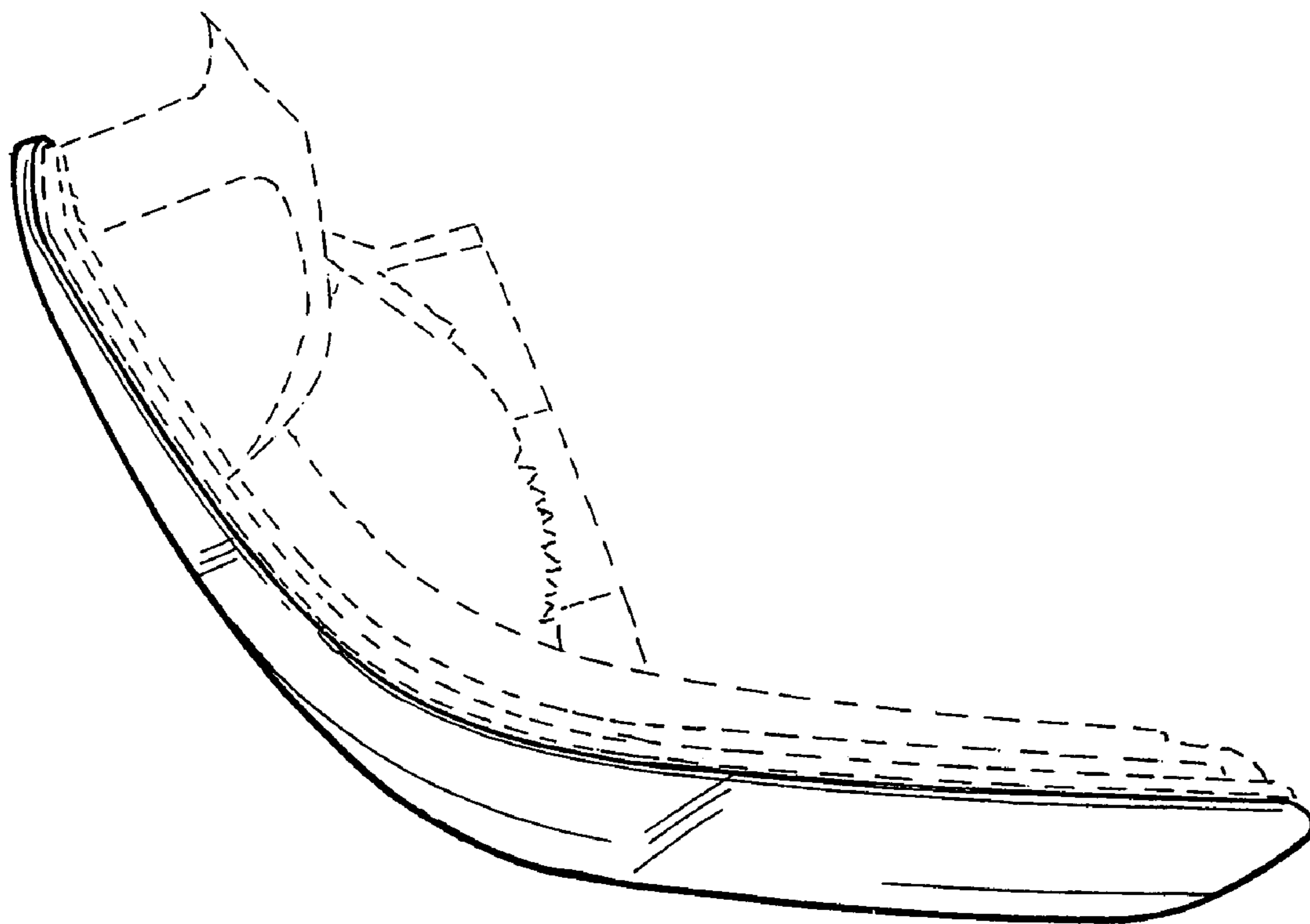


FIG . 6