



US00D569528S

(12) **United States Design Patent**
Carney

(10) **Patent No.:** **US D569,528 S**

(45) **Date of Patent:** **** May 20, 2008**

(54) **RAILING**

D419,688 S * 1/2000 Rau D25/38
D422,367 S * 4/2000 Mishina D25/38

(75) Inventor: **John Carney**, Warrington (GB)

OTHER PUBLICATIONS

(73) Assignee: **Cheshire Mouldings & Woodturnings Limited**, Warrington, Cheshire (GB)

Extract from catalog *Launch Pad, The Latest News, Products and Promotions from Richard Burbidge*, published by Richard Burbidge Limited, Issue 1, 03-06.

(**) Term: **14 Years**

Four images from website <http://www.richardburbidge.co.uk>.

(21) Appl. No.: **29/250,118**

* cited by examiner

(22) Filed: **Nov. 2, 2006**

Primary Examiner—Doris Clark

(30) **Foreign Application Priority Data**

(74) *Attorney, Agent, or Firm*—Thompson Coburn LLP; Matthew J. Himich, Esq.

May 2, 2006 (EM) 000524400

(57) **CLAIM**

(51) **LOC (8) Cl.** **25-02**

The ornamental design for a railing, as shown and described.

(52) **U.S. Cl.** **D25/38**

DESCRIPTION

(58) **Field of Classification Search** D25/38;
256/19, 20, 24, 73, 65.01, 65.02
See application file for complete search history.

FIG. 1 is a side view;

FIG. 2 is a plan view;

(56) **References Cited**

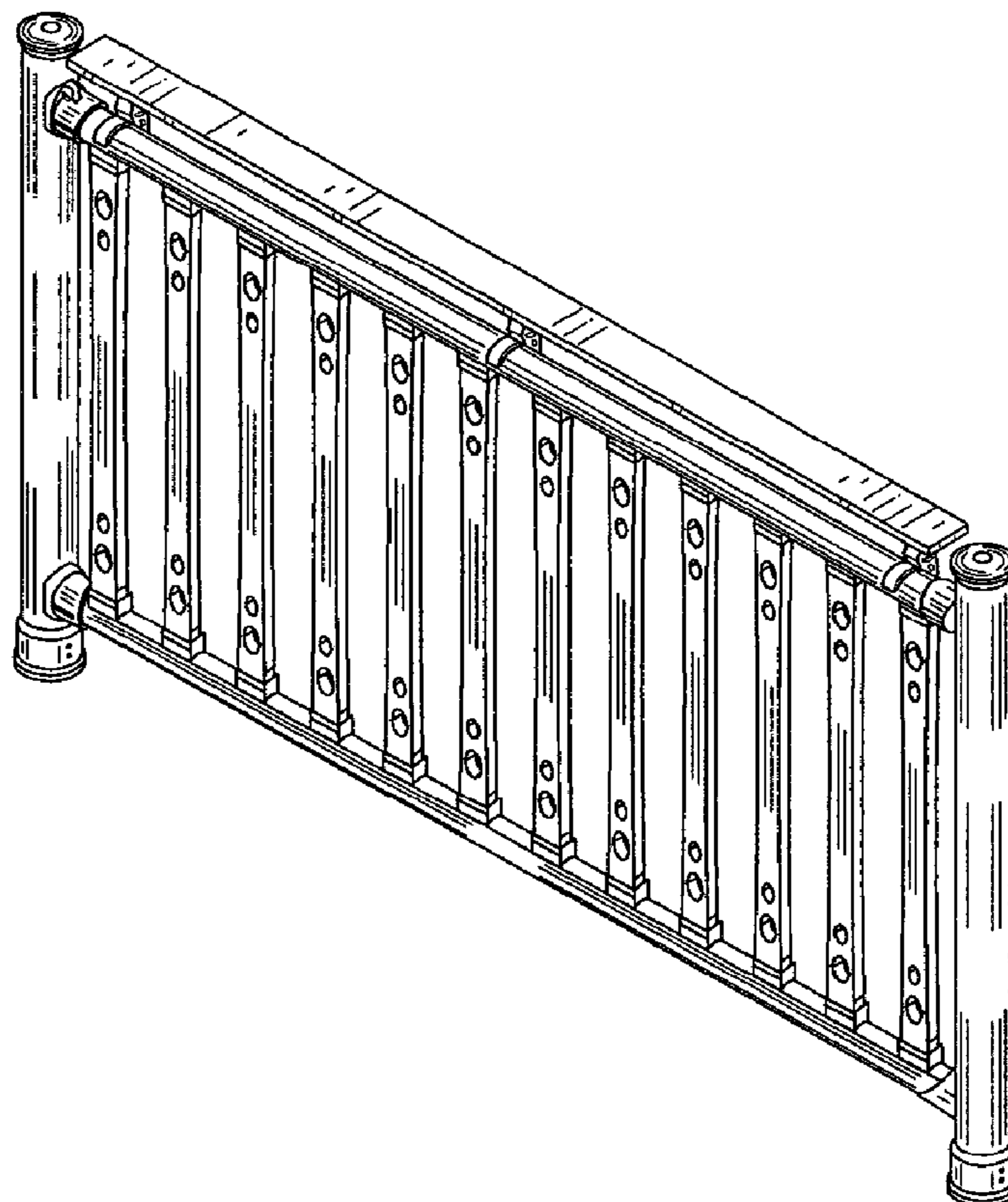
FIG. 3 is a front view depicting the railing with a plurality of spindles, each of said spindles having a smoothly, progressively, narrowing width to form a fluted mid region; and,

FIG. 4 is a perspective view.

U.S. PATENT DOCUMENTS

3,306,586 A * 2/1967 Green 256/73
5,301,926 A * 4/1994 Sharp 256/24
D385,967 S * 11/1997 Junell D25/38

1 Claim, 1 Drawing Sheet



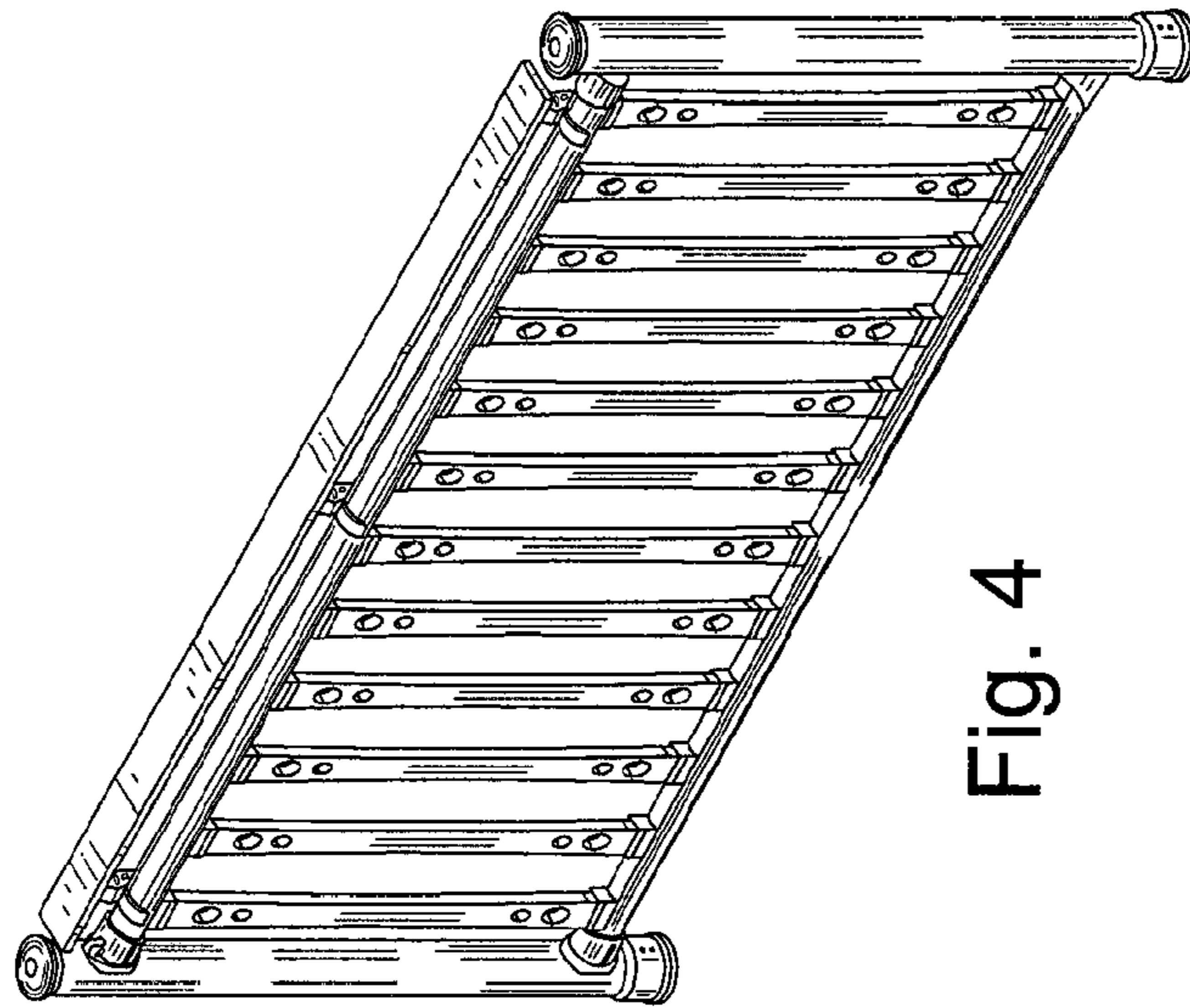


Fig. 4



Fig. 2

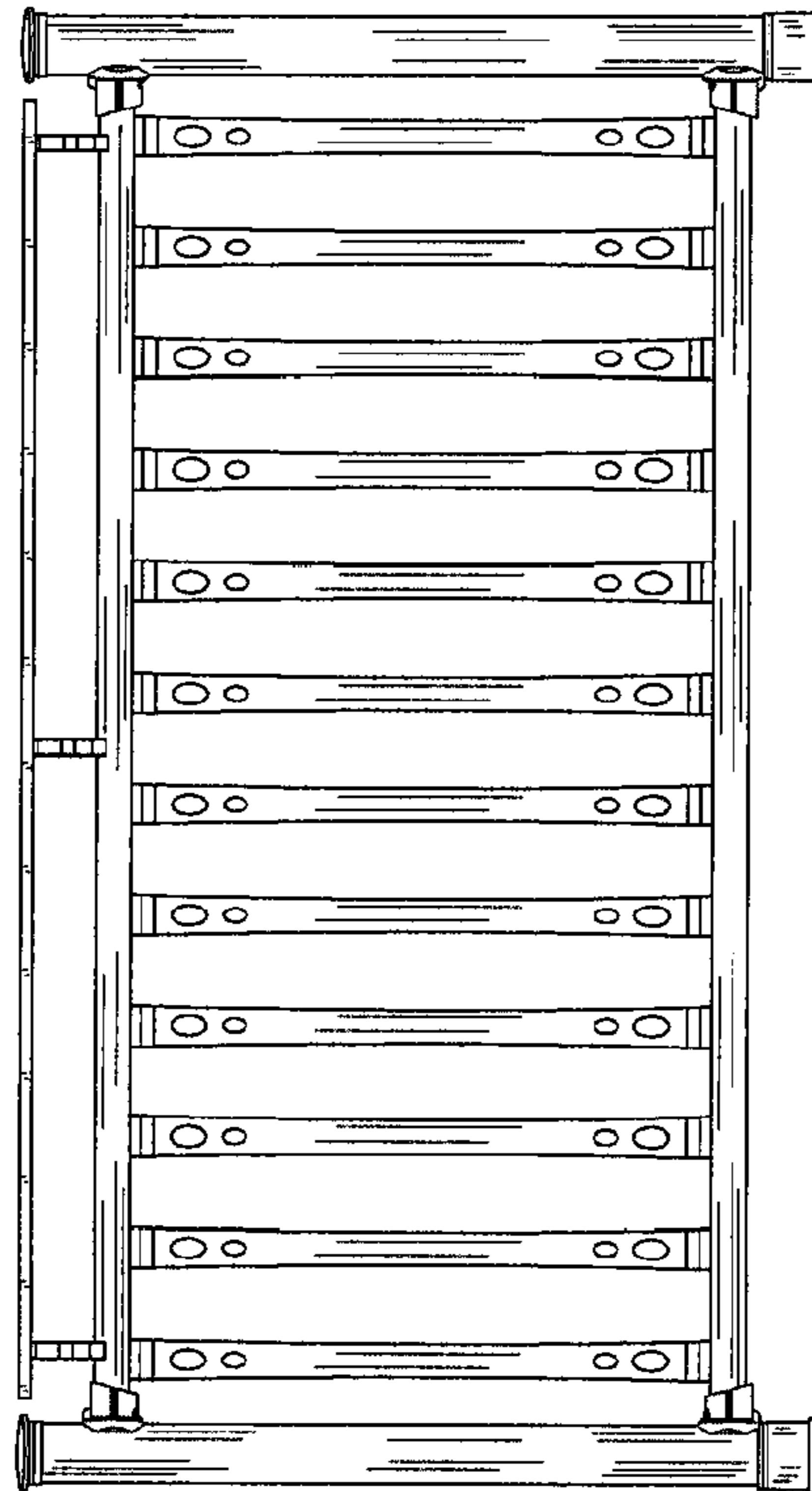


Fig. 3

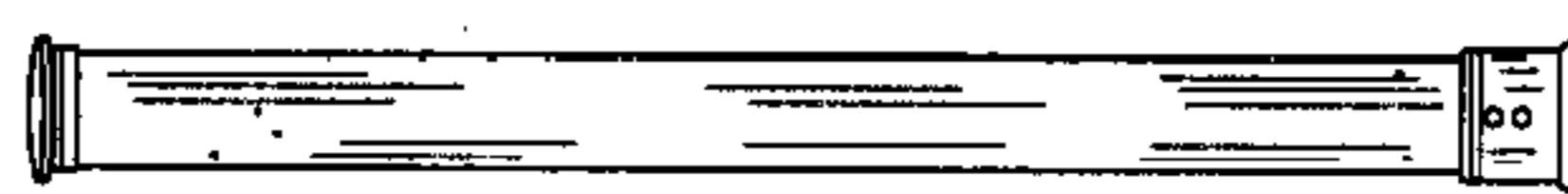


Fig. 1