

US00D569527S

(12) **United States Design Patent**
Rosene et al.

(10) **Patent No.:** **US D569,527 S**
(45) **Date of Patent:** **** May 20, 2008**

(54) **FLOATING POOL COVER**

(76) Inventors: **Richard C. Rosene**, 40034 Gibraltar Dr., Murrieta, CA (US) 92562; **Lora J. Rosene**, 40034 Gibraltar Dr., Murrieta, CA (US) 92562

(**) Term: **14 Years**

(21) Appl. No.: **29/264,960**

(22) Filed: **Aug. 22, 2006**

Related U.S. Application Data

(63) Continuation-in-part of application No. 10/875,933, filed on Jun. 24, 2004, now Pat. No. 7,093,593.

(51) **LOC (8) Cl.** **25-03**
(52) **U.S. Cl.** **D25/2**
(58) **Field of Classification Search** D25/2;
D23/316; D13/101, 102; 126/627; 136/243-246,
136/251, 291; 320/627
See application file for complete search history.

(56) **References Cited**

U.S. PATENT DOCUMENTS

3,072,920	A	1/1963	Yellott	
3,683,428	A	8/1972	Morris	
3,872,522	A	3/1975	Bennett et al.	
3,949,095	A	4/1976	Pelehach et al.	
4,146,015	A *	3/1979	Acker	126/565
4,222,366	A *	9/1980	Acker	126/565
4,270,232	A	6/1981	Ballew	
4,284,060	A *	8/1981	McCluskey	126/565
4,366,806	A *	1/1983	Acker	126/565
4,875,466	A *	10/1989	Slonneger	126/565
5,216,762	A	6/1993	Denny	
5,347,984	A	9/1994	Klaren	
5,511,536	A	4/1996	Bussey, Jr. et al.	

5,546,615	A	8/1996	Chamness	
6,047,415	A	4/2000	Brown	
6,571,789	B1	6/2003	Mora	
7,143,455	B2 *	12/2006	Cordray et al.	4/503
2005/0022297	A1	2/2005	Orologio et al.	

* cited by examiner

Primary Examiner—Louis S Zarfes
Assistant Examiner—Kathleen M Sims
(74) *Attorney, Agent, or Firm*—Calif Tervo; Palomar Patent

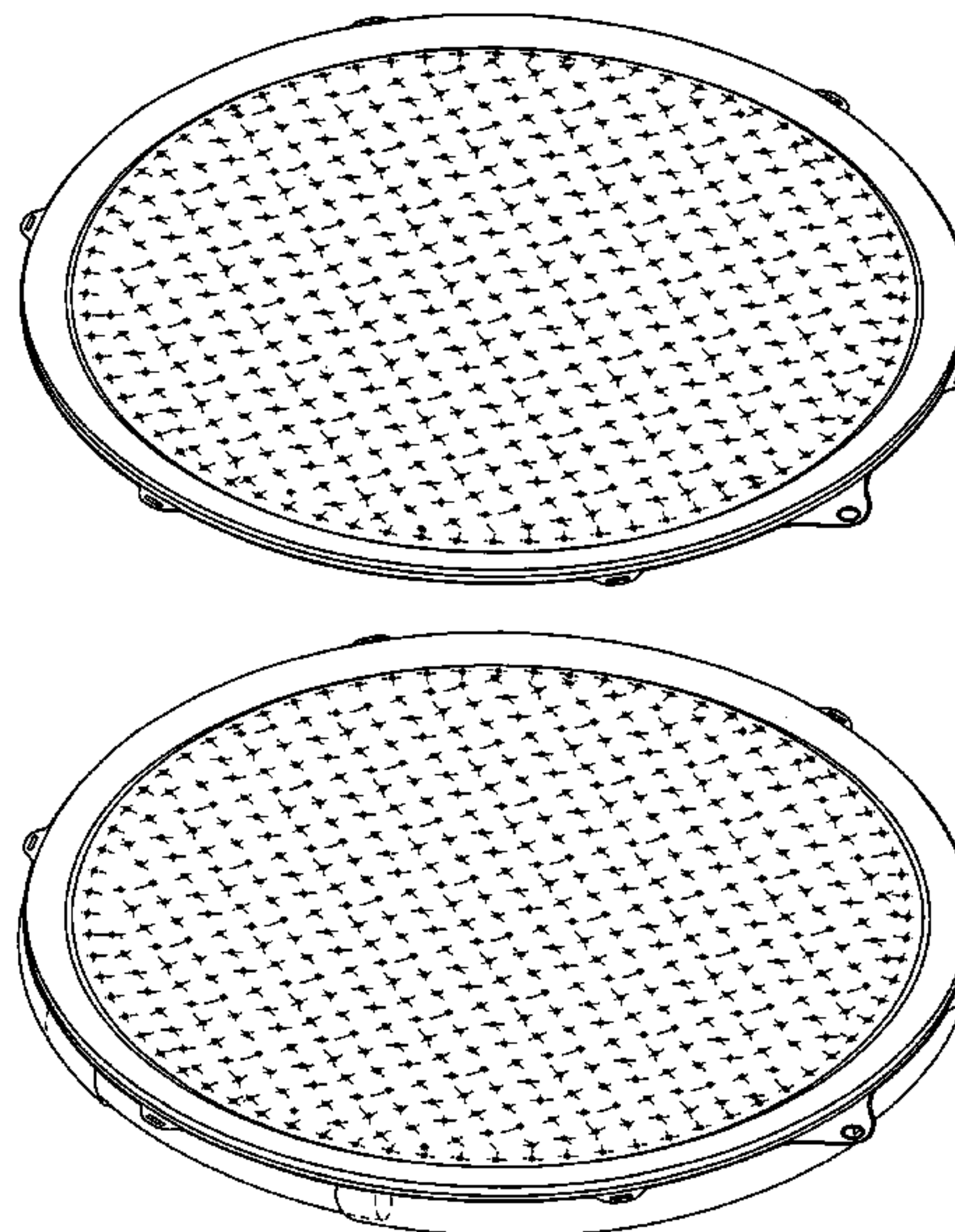
(57) **CLAIM**

The ornamental design for a floating pool cover heater, as shown and described.

DESCRIPTION

FIG. 1 is a top perspective view of a first embodiment of a floating pool cover heater showing our new design;
FIG. 2 is a top plan view thereof; the bottom plan view being a mirror image,
FIG. 3 is a left side elevation view thereof; the right side elevation view being a mirror image;
FIG. 4 is a front elevation view thereof; and
FIG. 5 is a back elevation view thereof; and
FIG. 6 is a top perspective view of a second embodiment of a floating pool cover heater showing our new design;
FIG. 7 is a top plan view thereof;
FIG. 8 is a left side elevation view thereof; the right side elevation view being a mirror image;
FIG. 9 is a bottom plan view thereof;
FIG. 10 is a back elevation view thereof; and,
FIG. 11 is a front elevation view thereof.

1 Claim, 5 Drawing Sheets



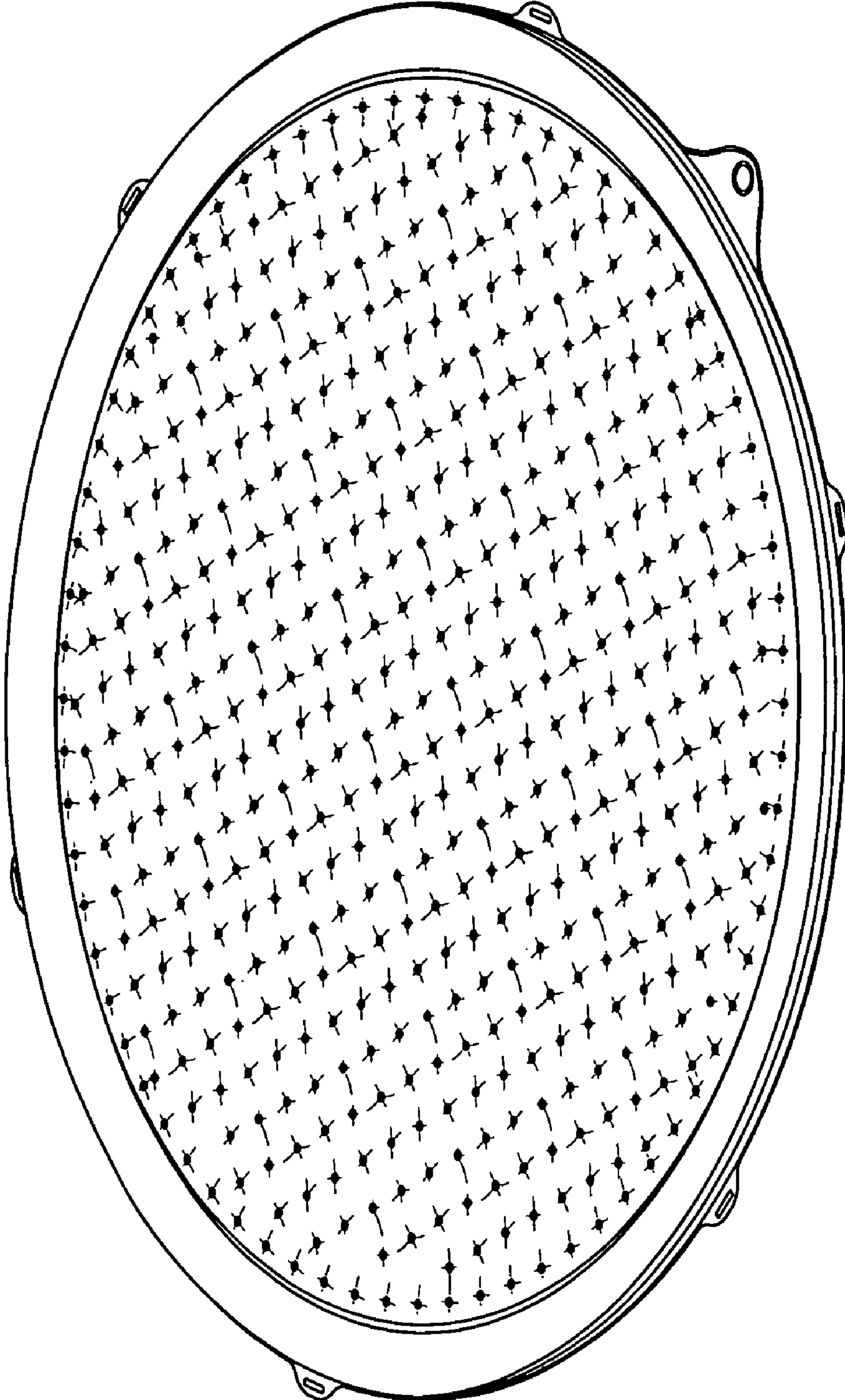


FIG. 1

FIG. 4

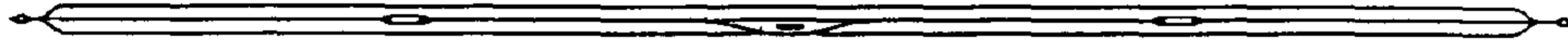


FIG. 3

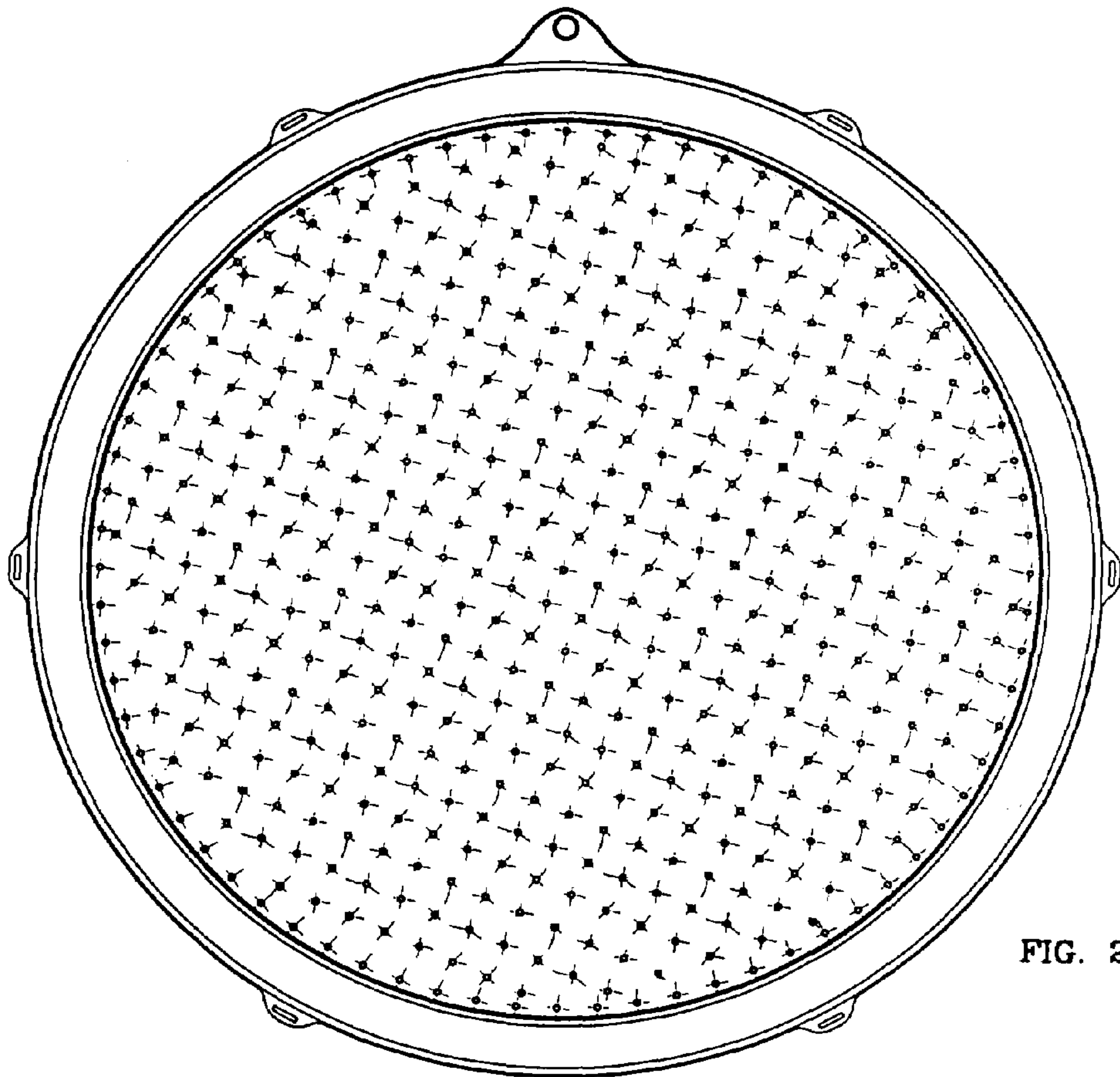


FIG. 2

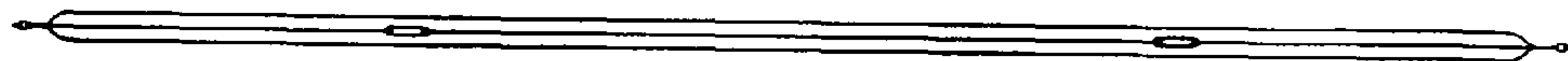


FIG. 5

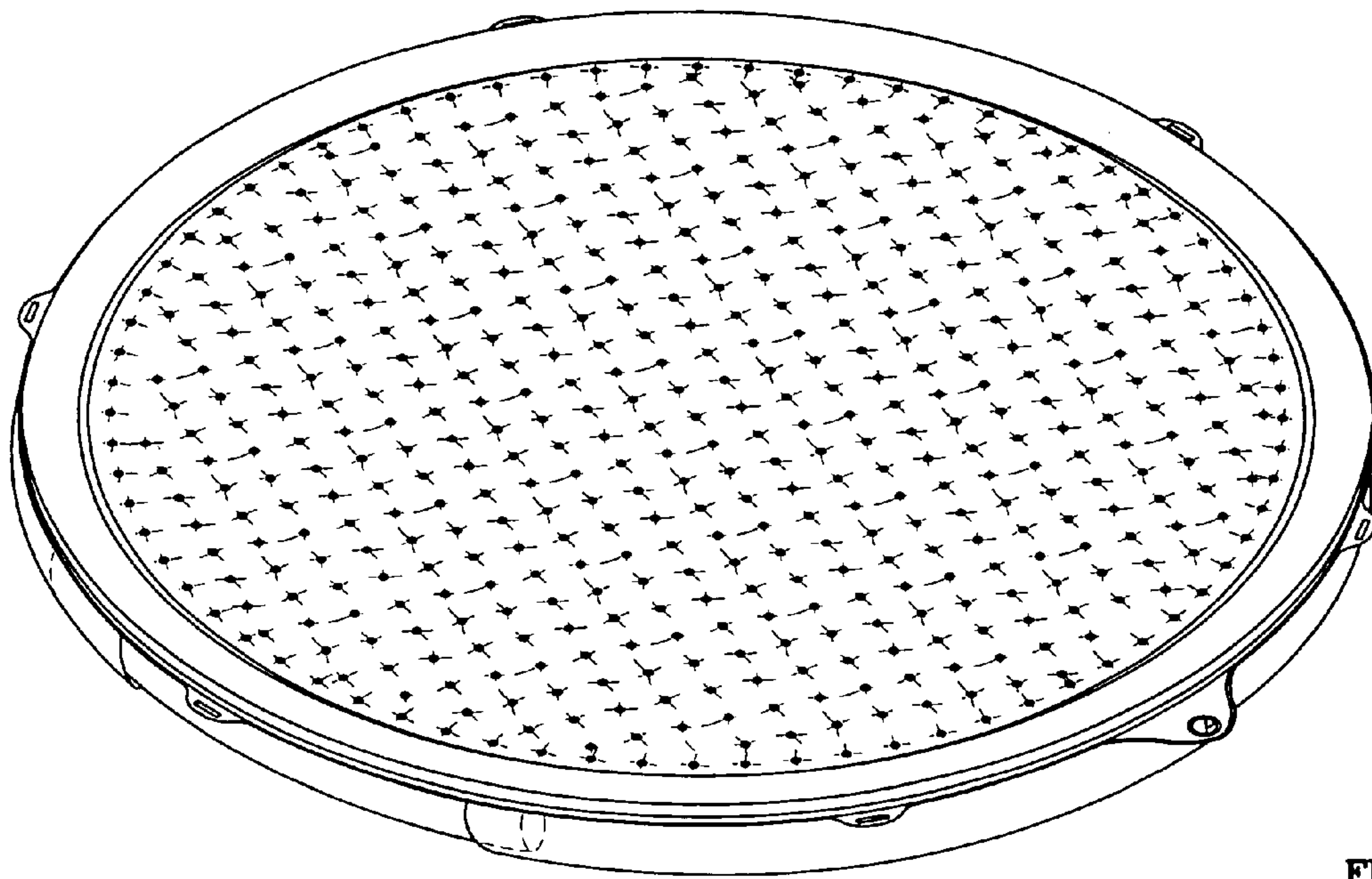


FIG. 6

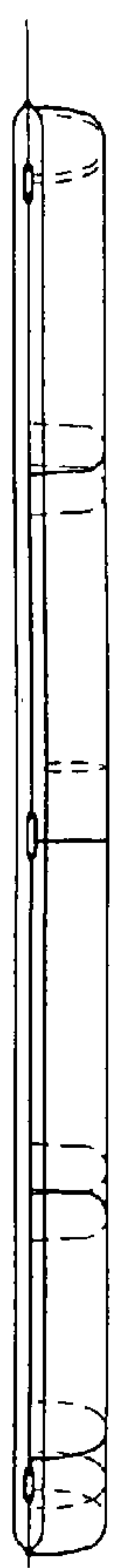


FIG. 8

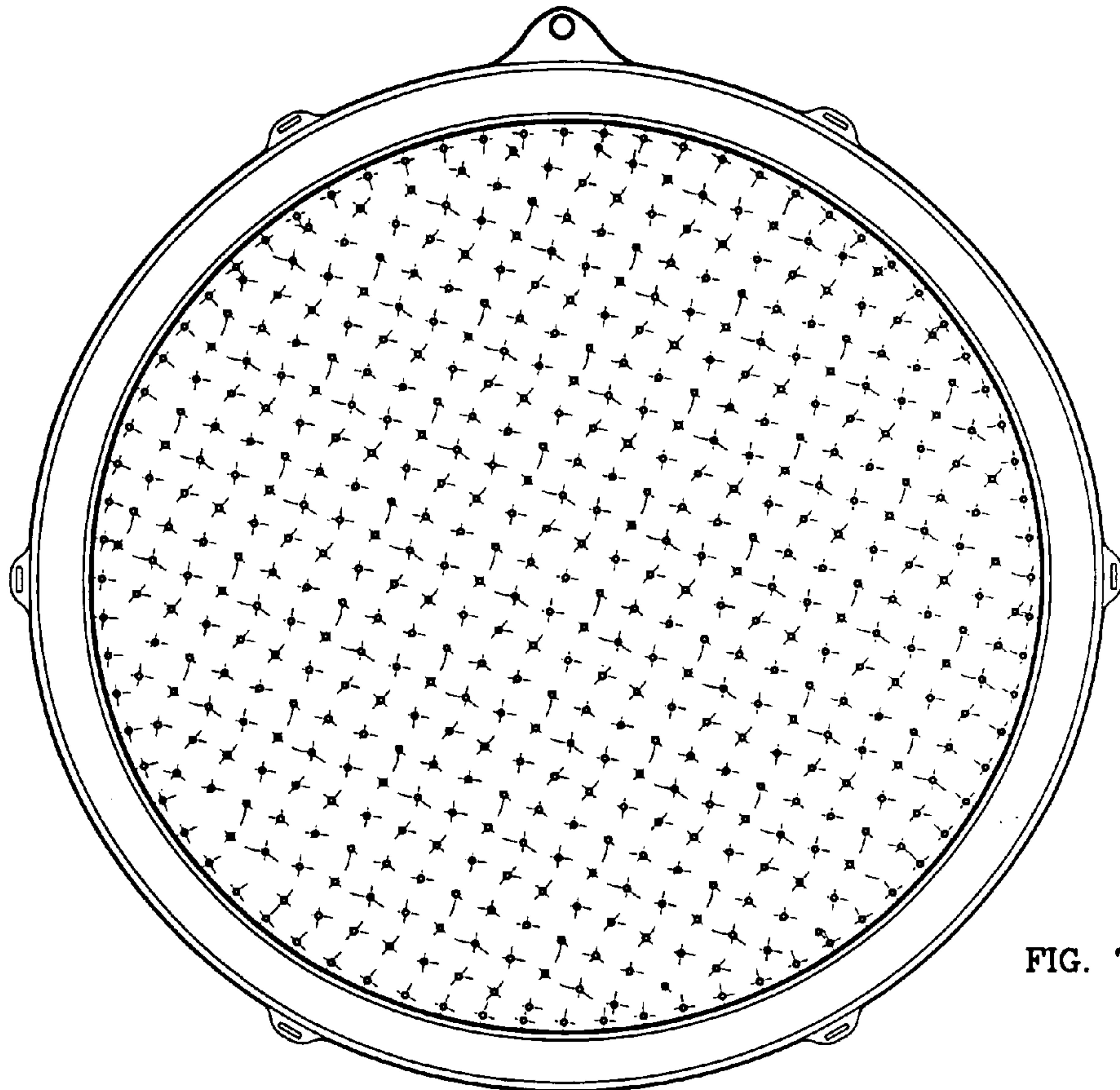


FIG. 7



FIG. 10

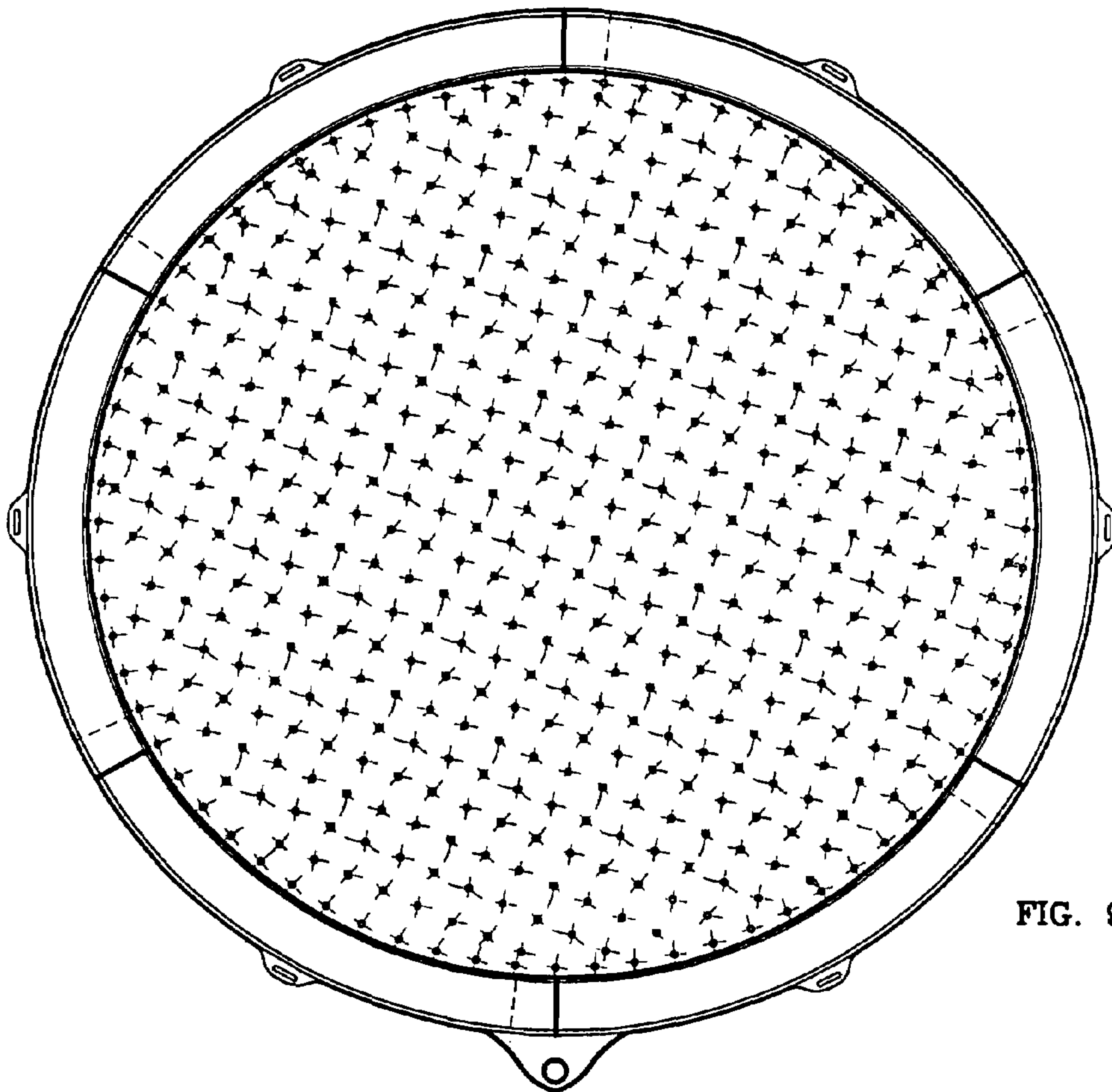


FIG. 9

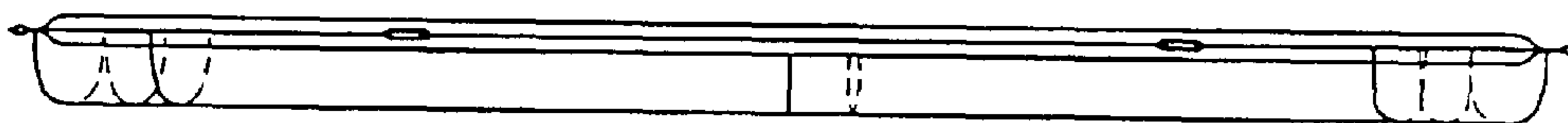


FIG. 11