



US00D569526S

(12) **United States Design Patent**  
**Duffy et al.**

(10) **Patent No.:** **US D569,526 S**  
(45) **Date of Patent:** **\*\* May 20, 2008**

(54) **MOLECULAR DIAGNOSTIC INSTRUMENT**

(75) Inventors: **Patrick Duffy**, Whitmore Lake, MI (US); **Gene Parunak**, Saline, MI (US); **Daniel M. Drummond**, Livonia, MI (US); **Kalyan Handique**, Ypsilanti, MI (US); **Jeff Williams**, Chelsea, MI (US); **Sundaresh N. Brahmasandra**, Ann Arbor, MI (US); **Mark Travaglini**, Northville, MI (US)

(73) Assignee: **HandyLab, Inc.**, Ann Arbor, MI (US)

(\*\*) Term: **14 Years**

(21) Appl. No.: **29/257,028**

(22) Filed: **Mar. 27, 2006**

(51) **LOC (8) Cl.** ..... **24-01**

(52) **U.S. Cl.** ..... **D24/232**

(58) **Field of Classification Search** ..... D24/169, D24/177, 186, 217, 231-233; D10/81; 422/50-53, 422/62-63, 68.1, 83, 99; D14/421; D13/162  
See application file for complete search history.

(56) **References Cited**

U.S. PATENT DOCUMENTS

D261,033 S 9/1981 Armbruster

(Continued)

*Primary Examiner*—Robert A. Delehanty

*Assistant Examiner*—Mark Cavanna

(74) *Attorney, Agent, or Firm*—Fish & Richardson, P.C.

(57) **CLAIM**

The ornamental design for the molecular diagnostic instrument, as shown and described.

**DESCRIPTION**

FIG. 1 is a front perspective view of a molecular diagnostic instrument showing our new design;

FIG. 2 is a front view thereof;

FIG. 3 is a rear view thereof;

FIG. 4 is a first side view thereof, the side opposite that shown in FIG. 4 being a mirror image thereof;

FIG. 5 is a top view thereof;

FIG. 6 is a bottom view thereof;

FIG. 7 is a front perspective view of a molecular diagnostic instrument showing the slider element and handle in the open position;

FIG. 8 is a front view thereof;

FIG. 9 is a first side view thereof, the side opposite that shown in FIG. 9 being a mirror image thereof;

FIG. 10 is a top view thereof;

FIG. 11 is a front perspective view of a molecular diagnostic instrument showing the handle in a forward position;

FIG. 12 is a front view thereof;

FIG. 13 is a first side view thereof, the side opposite that shown in FIG. 13 being a mirror image thereof;

FIG. 14 is a top view thereof;

FIG. 15 is a front perspective view of a molecular diagnostic instrument showing the front door open;

FIG. 16 is a front view thereof;

FIG. 17 is a rear view thereof;

FIG. 18 is a first side view thereof, the side opposite that shown in FIG. 15 being a mirror image thereof;

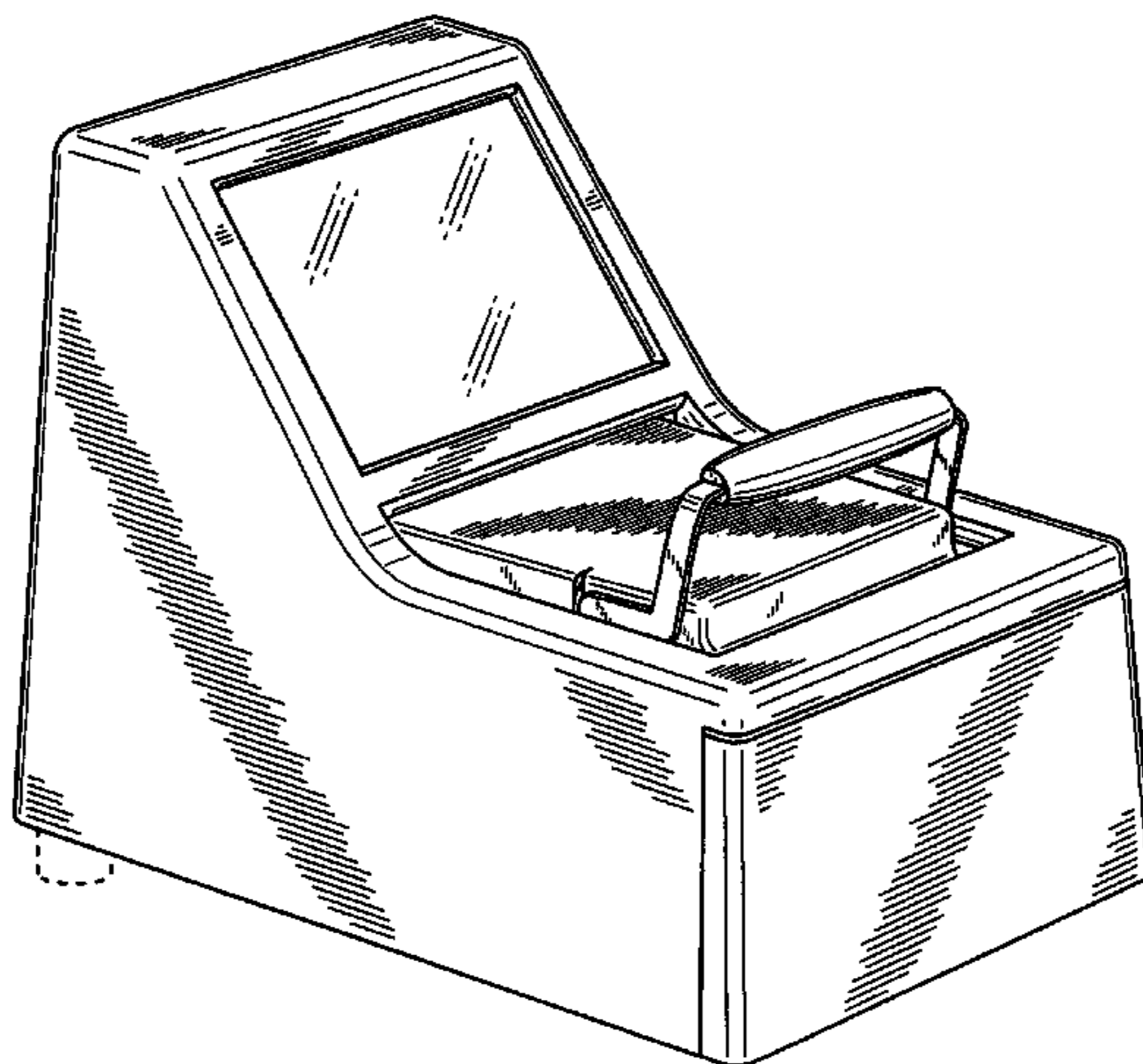
FIG. 19 is a top view thereof; and,

FIG. 20 is a bottom view thereof.

It is to be understood that analogous views to the views of the molecular diagnostic instrument, wherein the front door is displayed in the position shown in FIGS. 15-20, can also be generated for any of the drawings in which the slider and handle, and the handle, are shown in respectively the positions in FIGS. 7-10 and FIGS. 11-14.

The broken lines are for illustrative purposes only and form no part of the claimed design.

**1 Claim, 18 Drawing Sheets**



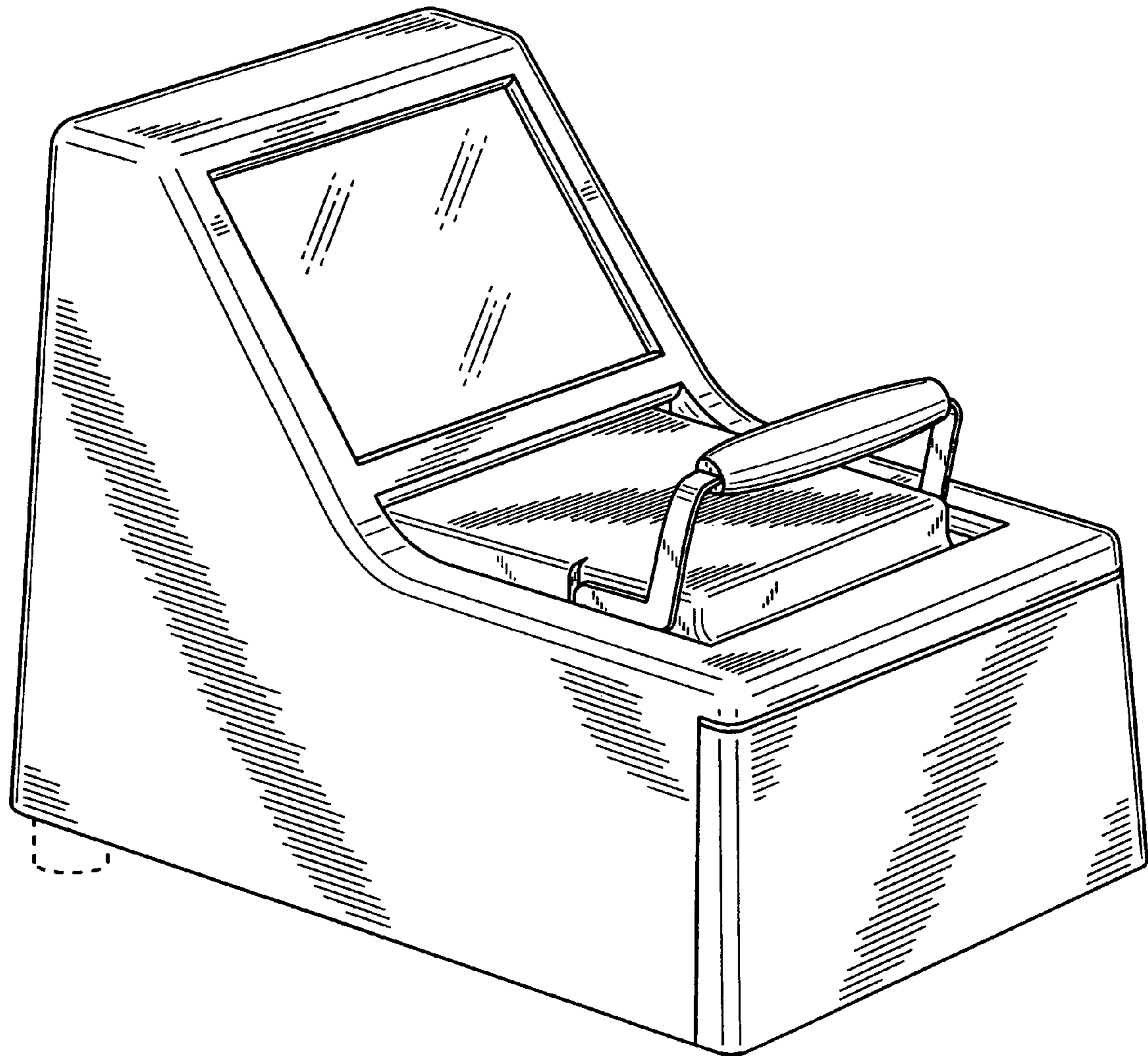
# US D569,526 S

Page 2

## U.S. PATENT DOCUMENTS

|              |         |                        |         |
|--------------|---------|------------------------|---------|
| D261,173 S   | 10/1981 | Armbruster             |         |
| 4,301,412 A  | 11/1981 | Hill et al.            |         |
| D288,478 S   | 2/1987  | Carlson et al.         |         |
| D310,413 S   | 9/1990  | Bigler et al.          |         |
| D328,794 S   | 8/1992  | Frenkel et al.         |         |
| D338,275 S   | 8/1993  | Fischer et al.         |         |
| D347,478 S   | 5/1994  | Pinkney                |         |
| D366,116 S * | 1/1996  | Biskupski .....        | D24/177 |
| D421,653 S   | 3/2000  | Purcell                |         |
| D446,306 S   | 8/2001  | Ochi et al.            |         |
| D467,349 S   | 12/2002 | Niedbala et al.        |         |
| D474,279 S   | 5/2003  | Mayer et al.           |         |
| D474,280 S * | 5/2003  | Niedbala et al. ....   | D24/231 |
| D491,272 S   | 6/2004  | Alden et al.           |         |
| D508,999 S   | 8/2005  | Fanning et al.         |         |
| D512,155 S   | 11/2005 | Matsumoto              |         |
| D515,707 S   | 2/2006  | Shinohara et al.       |         |
| D516,221 S   | 2/2006  | Wohlstadter et al.     |         |
| D517,554 S * | 3/2006  | Yanagisawa et al. .... | D14/421 |
| D535,403 S * | 1/2007  | Isozaki et al. ....    | D24/232 |
| D537,951 S * | 3/2007  | Okamoto et al. ....    | D24/233 |
| D538,436 S * | 3/2007  | Patadia et al. ....    | D24/217 |
| D548,841 S * | 8/2007  | Brownell et al. ....   | D24/186 |
| D549,827 S * | 8/2007  | Maeno et al. ....      | D24/169 |
| D554,069 S * | 10/2007 | Bolotin et al. ....    | D13/162 |
| D554,070 S * | 10/2007 | Bolotin et al. ....    | D13/162 |
| D556,914 S * | 12/2007 | Okamoto et al. ....    | D24/233 |

\* cited by examiner



**FIG. 1**

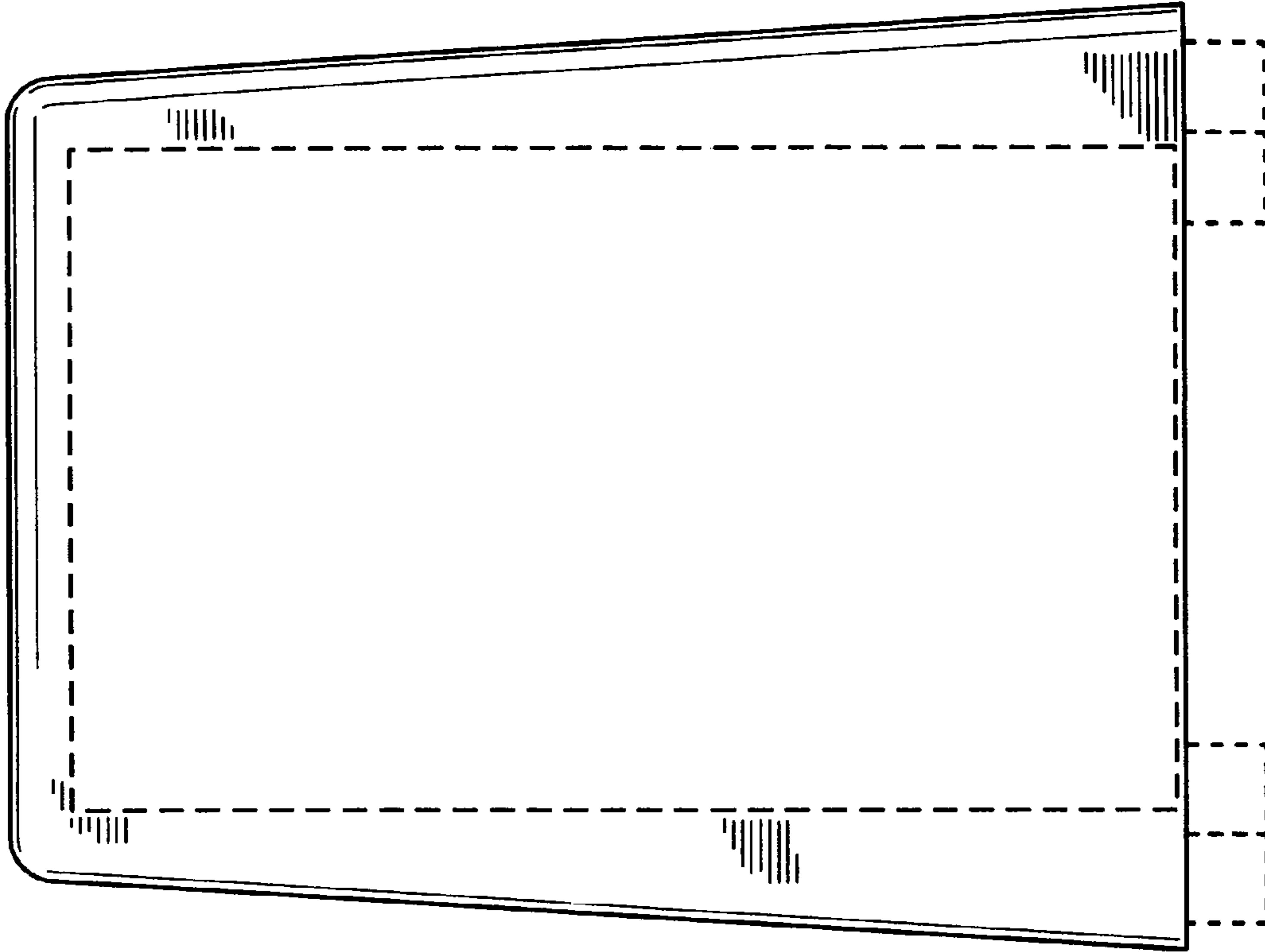


FIG. 3

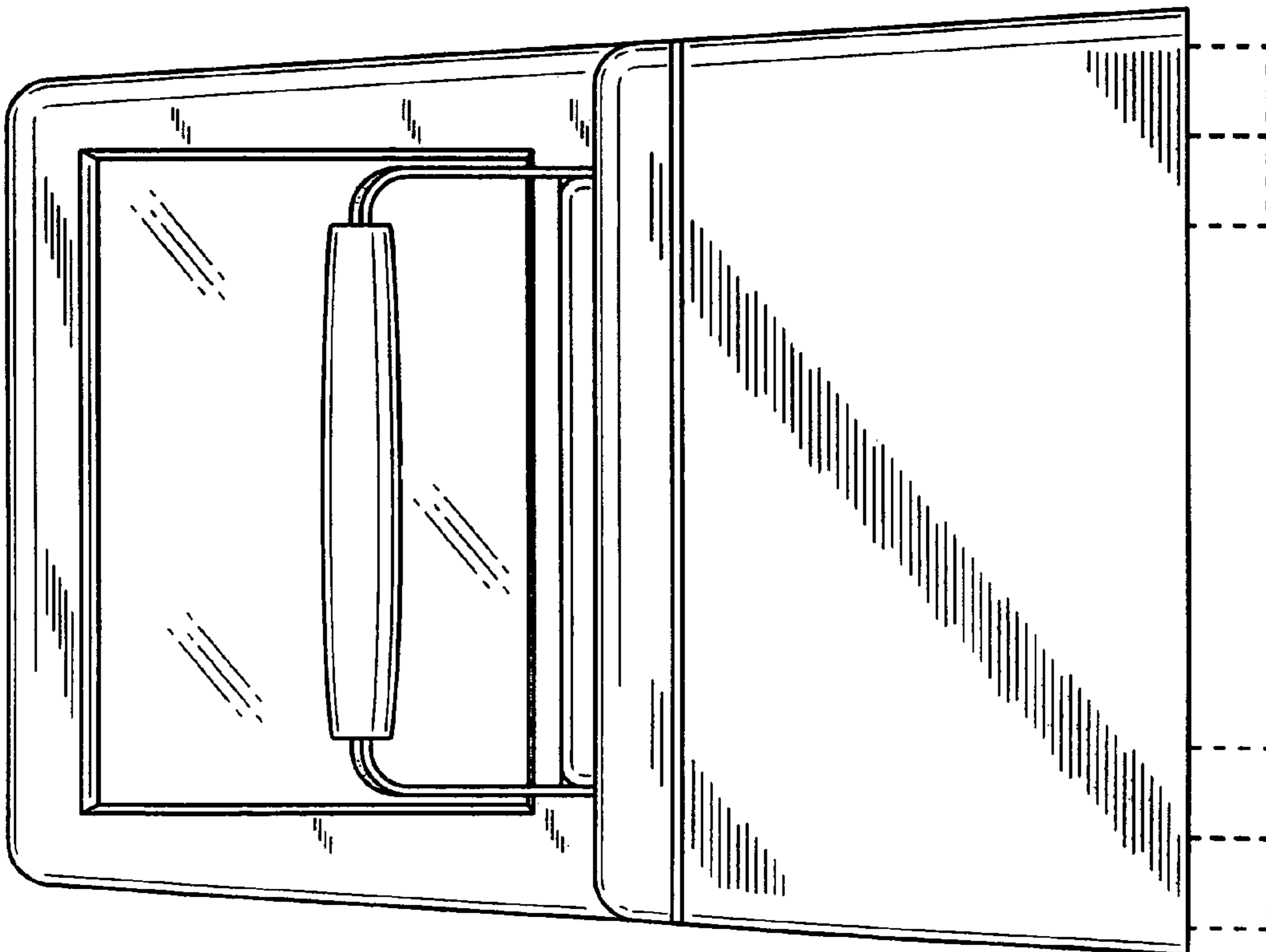
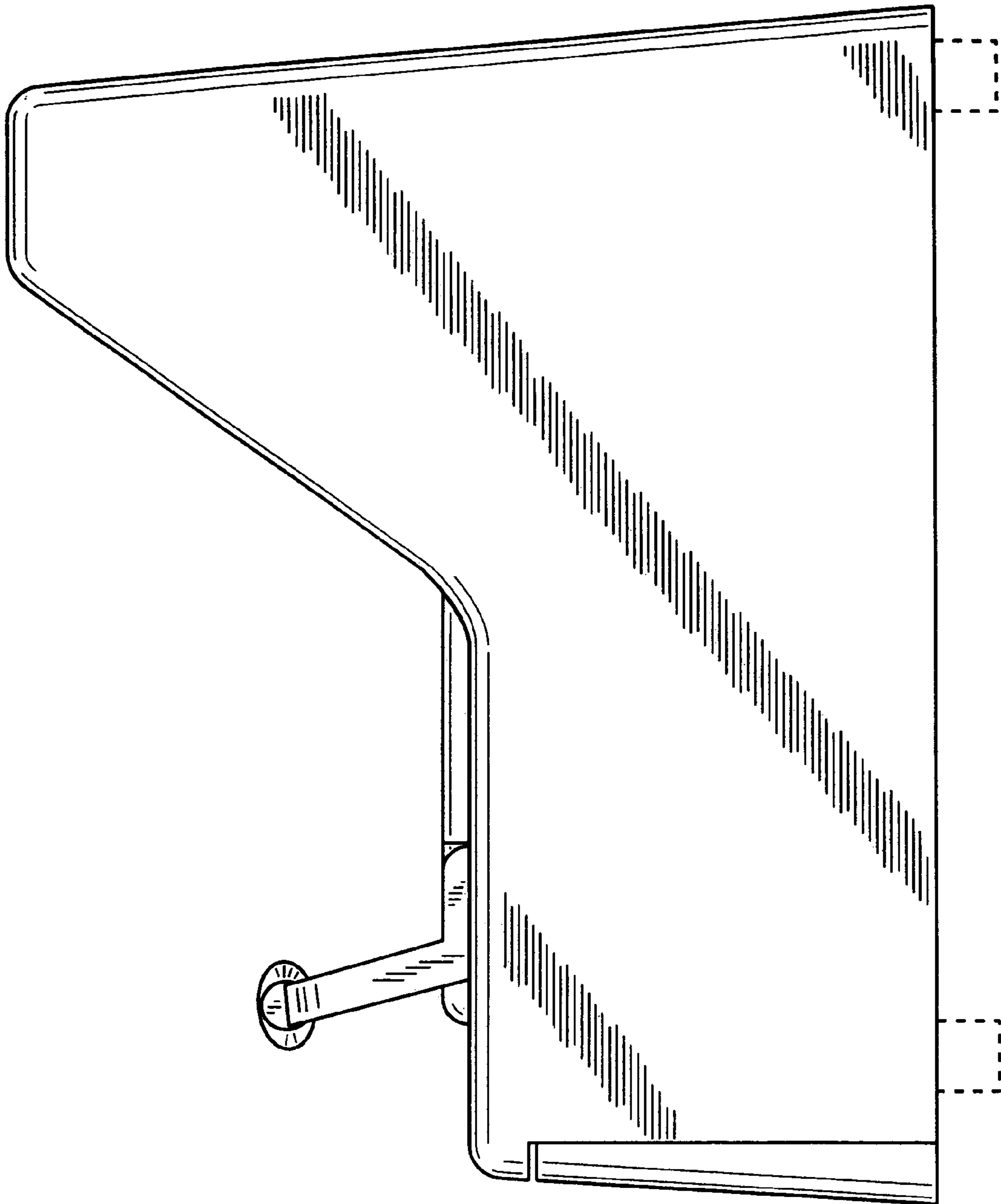
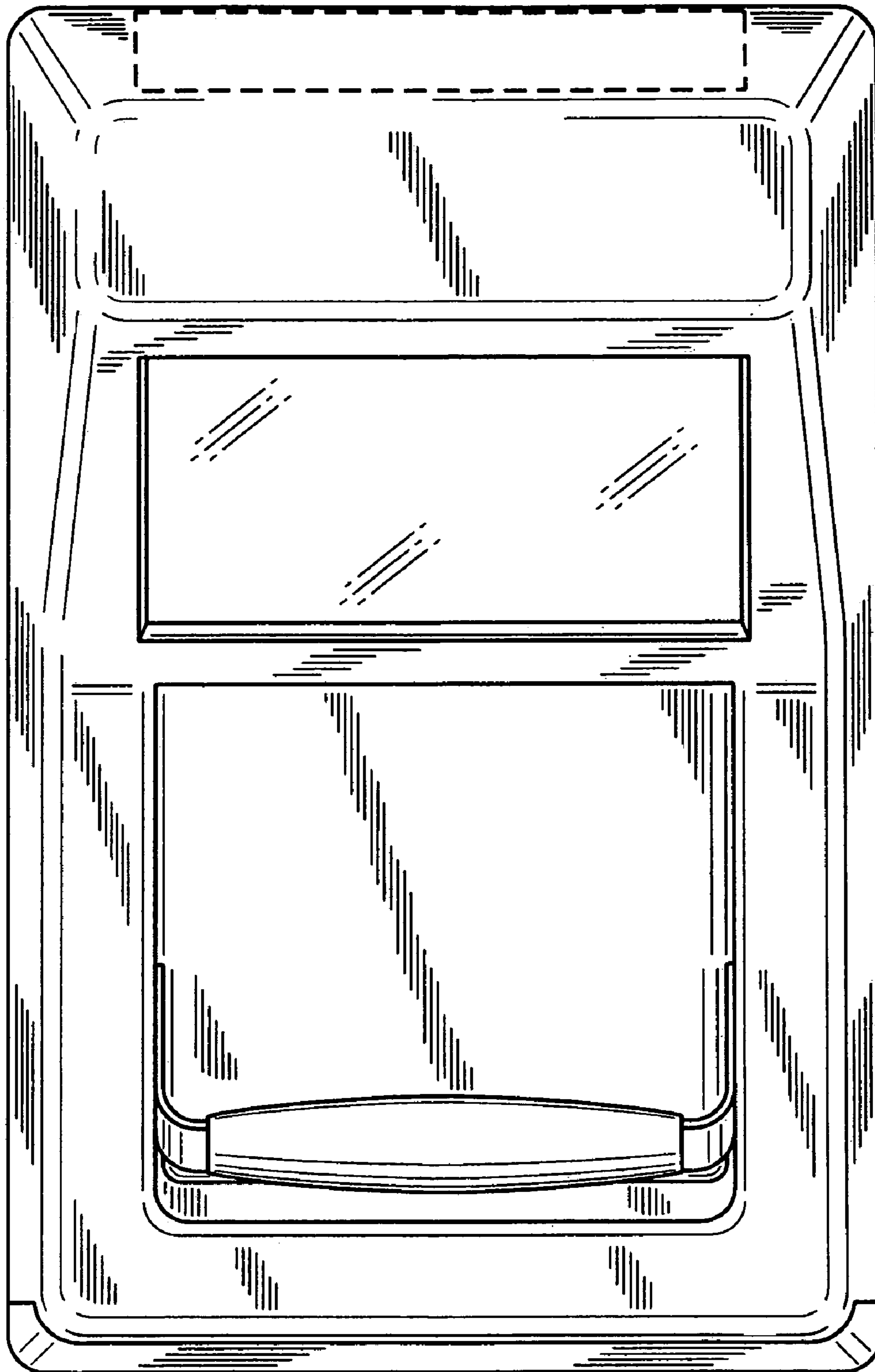


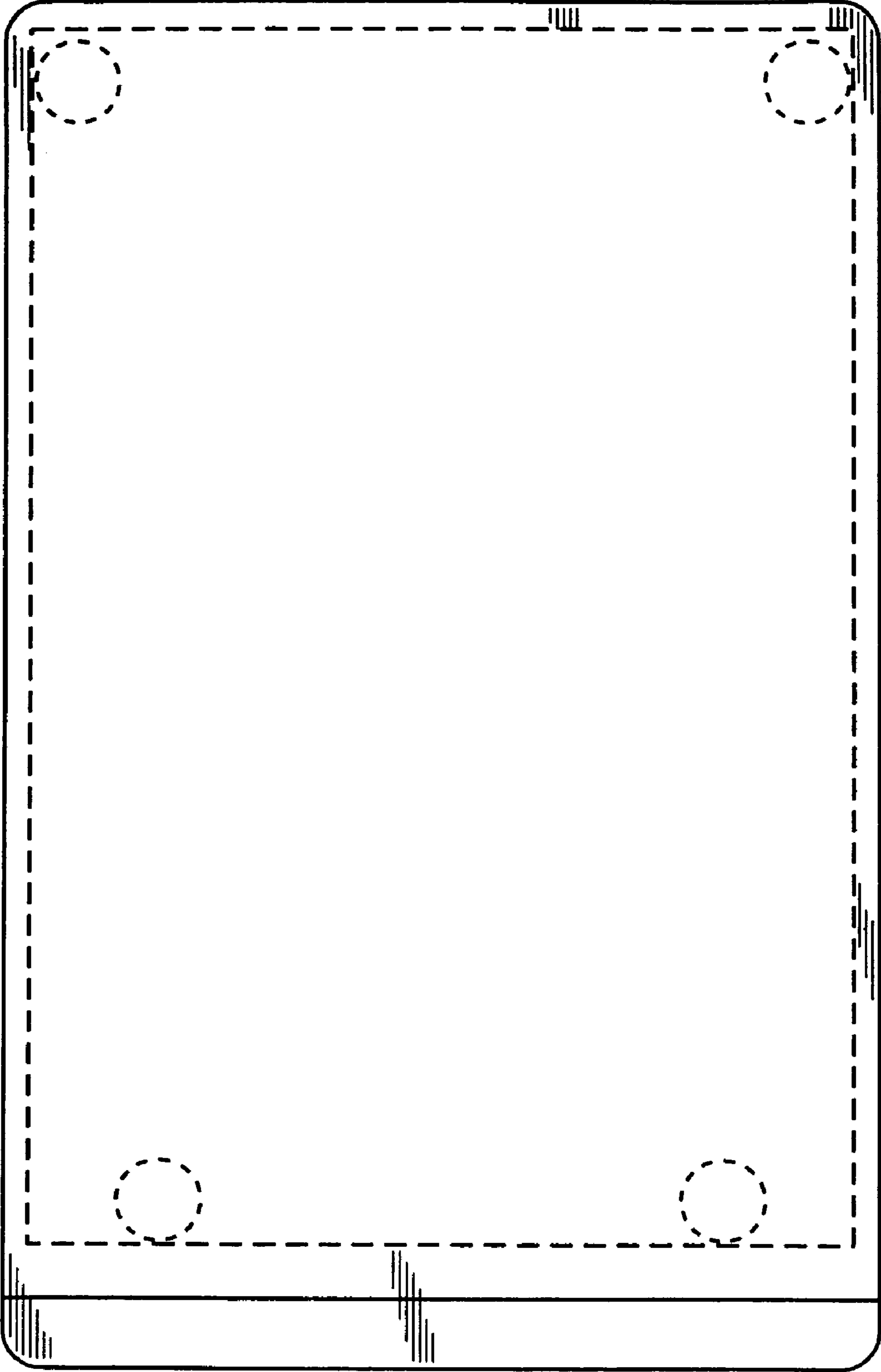
FIG. 2



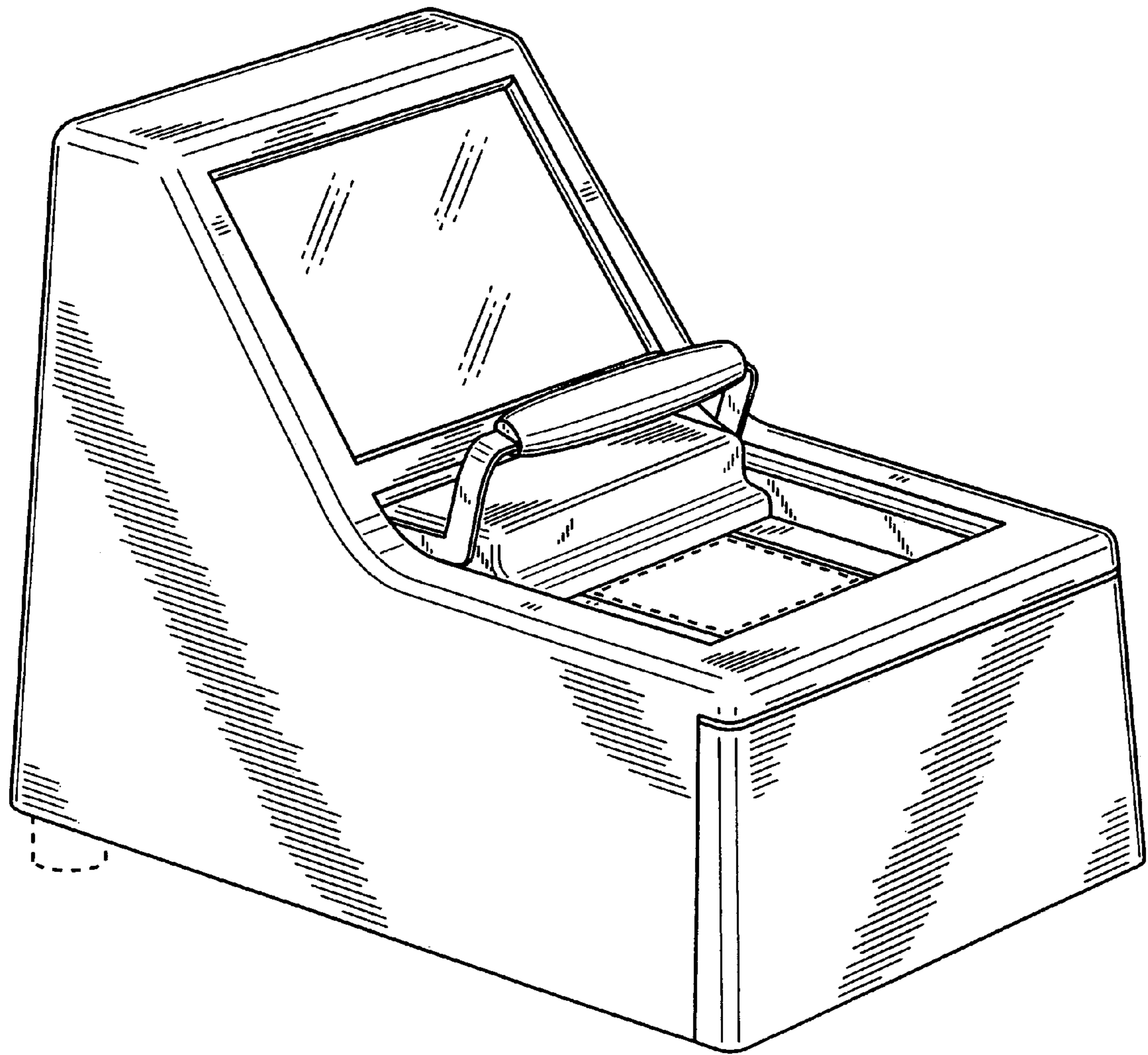
**FIG. 4**



**FIG. 5**

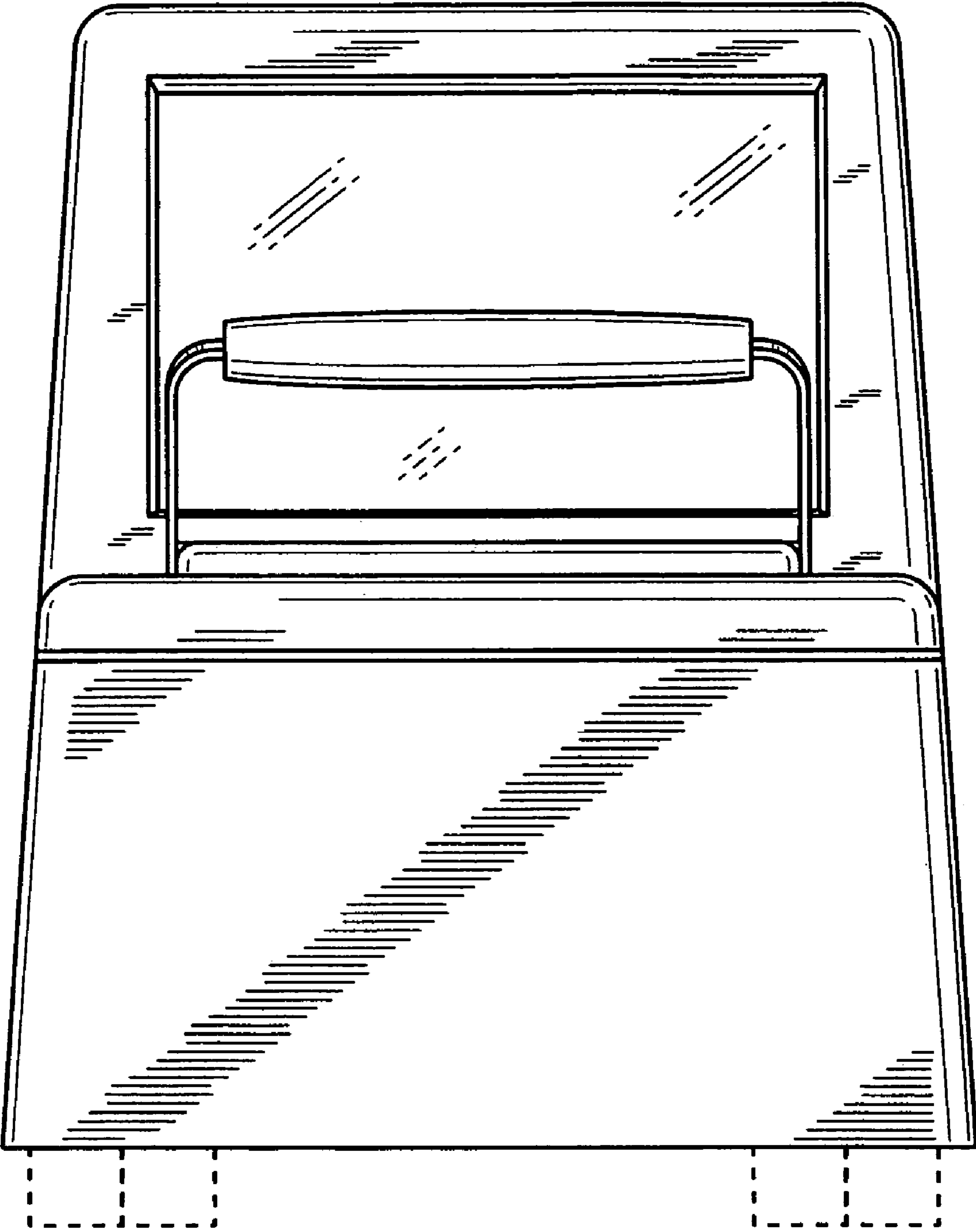


**FIG. 6**



**FIG. 7**





**FIG. 8**

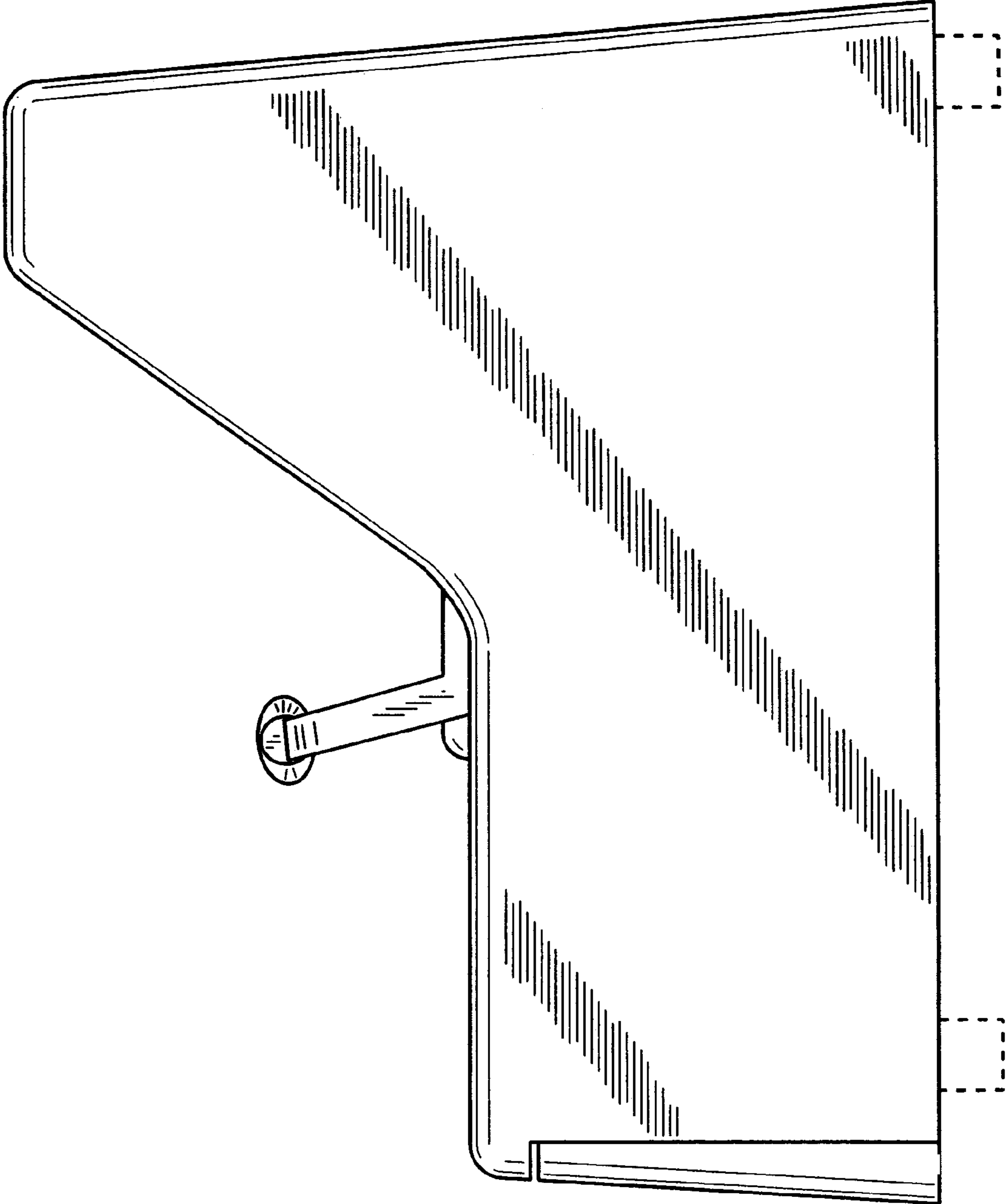
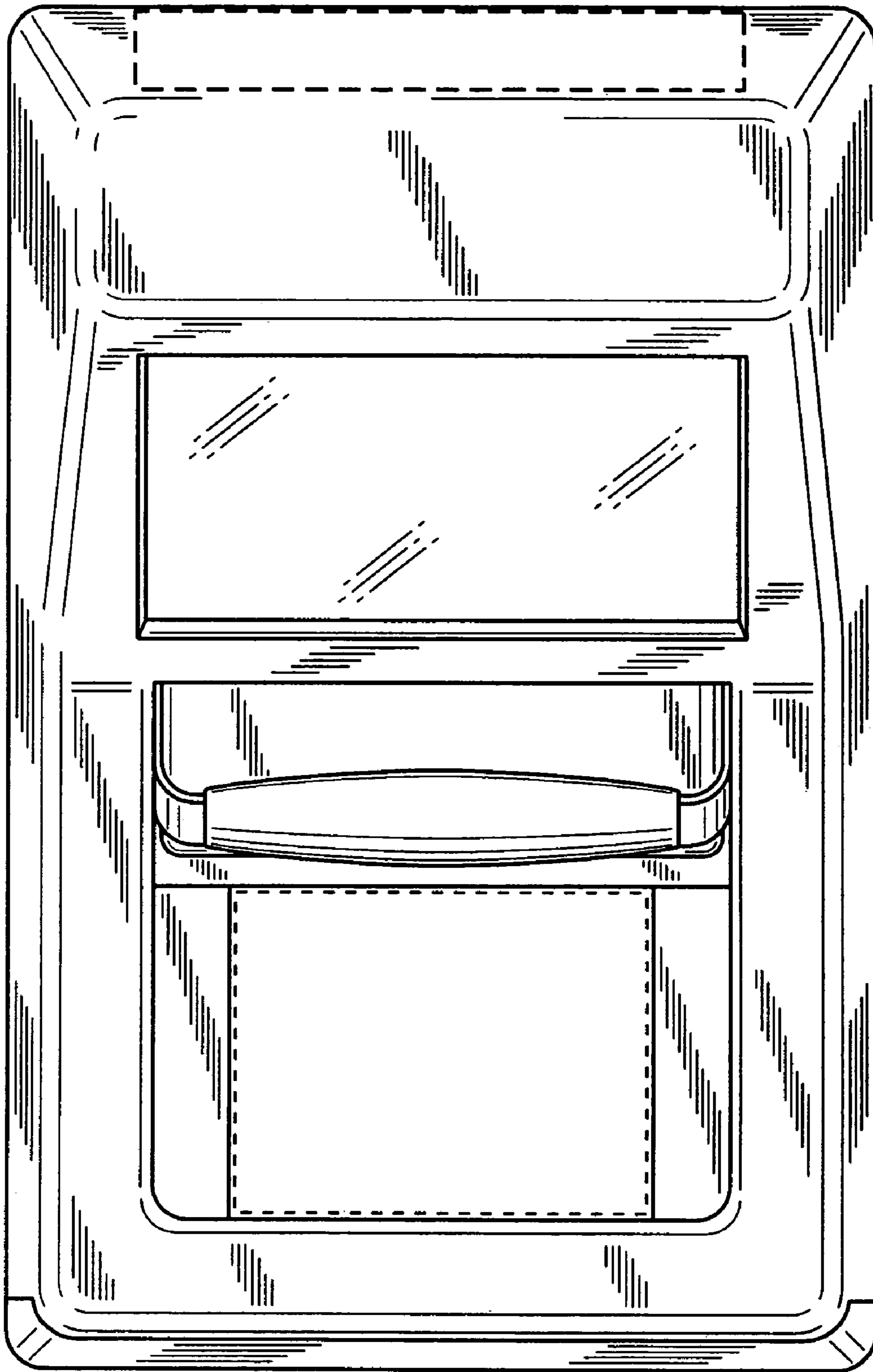
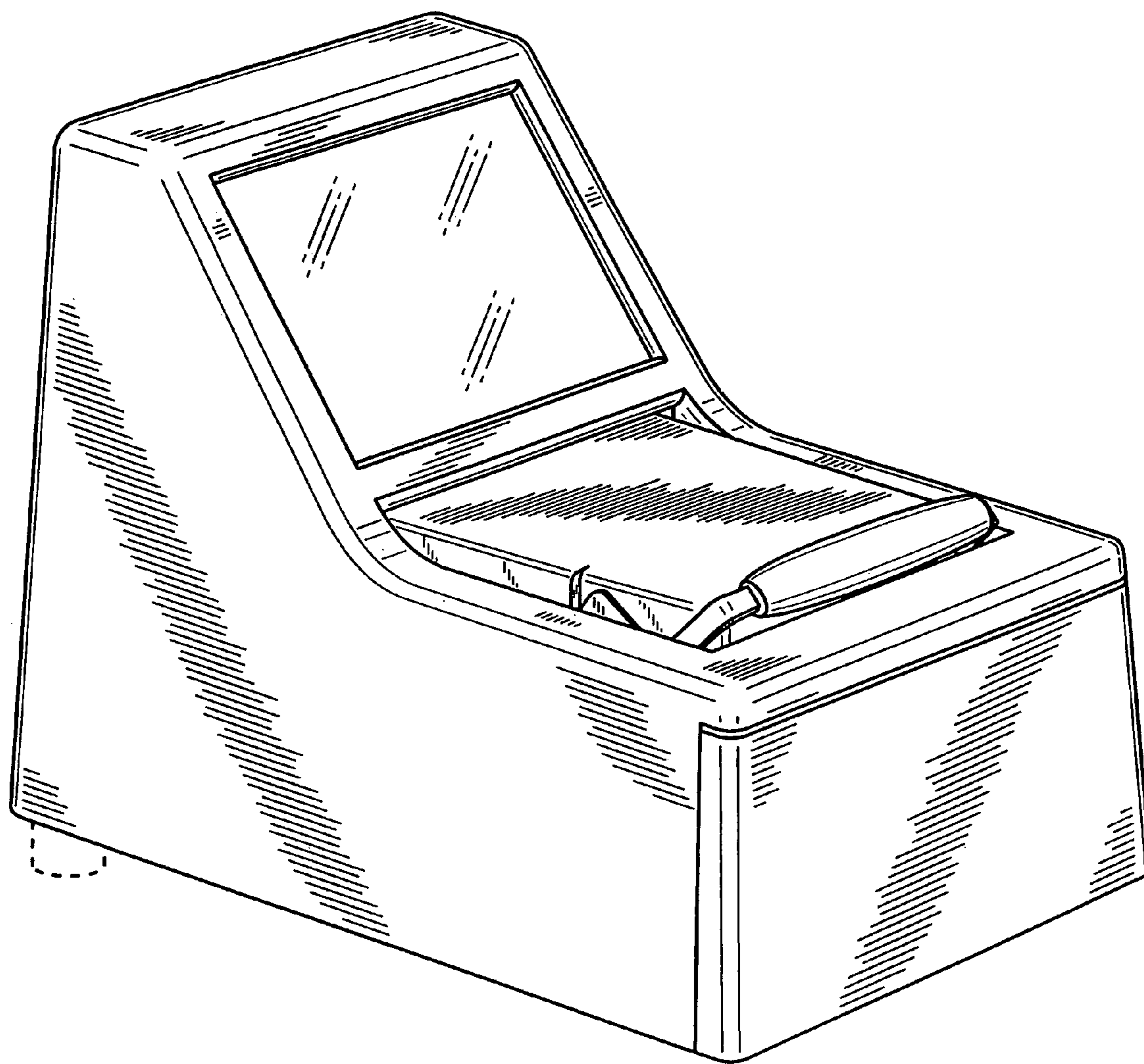


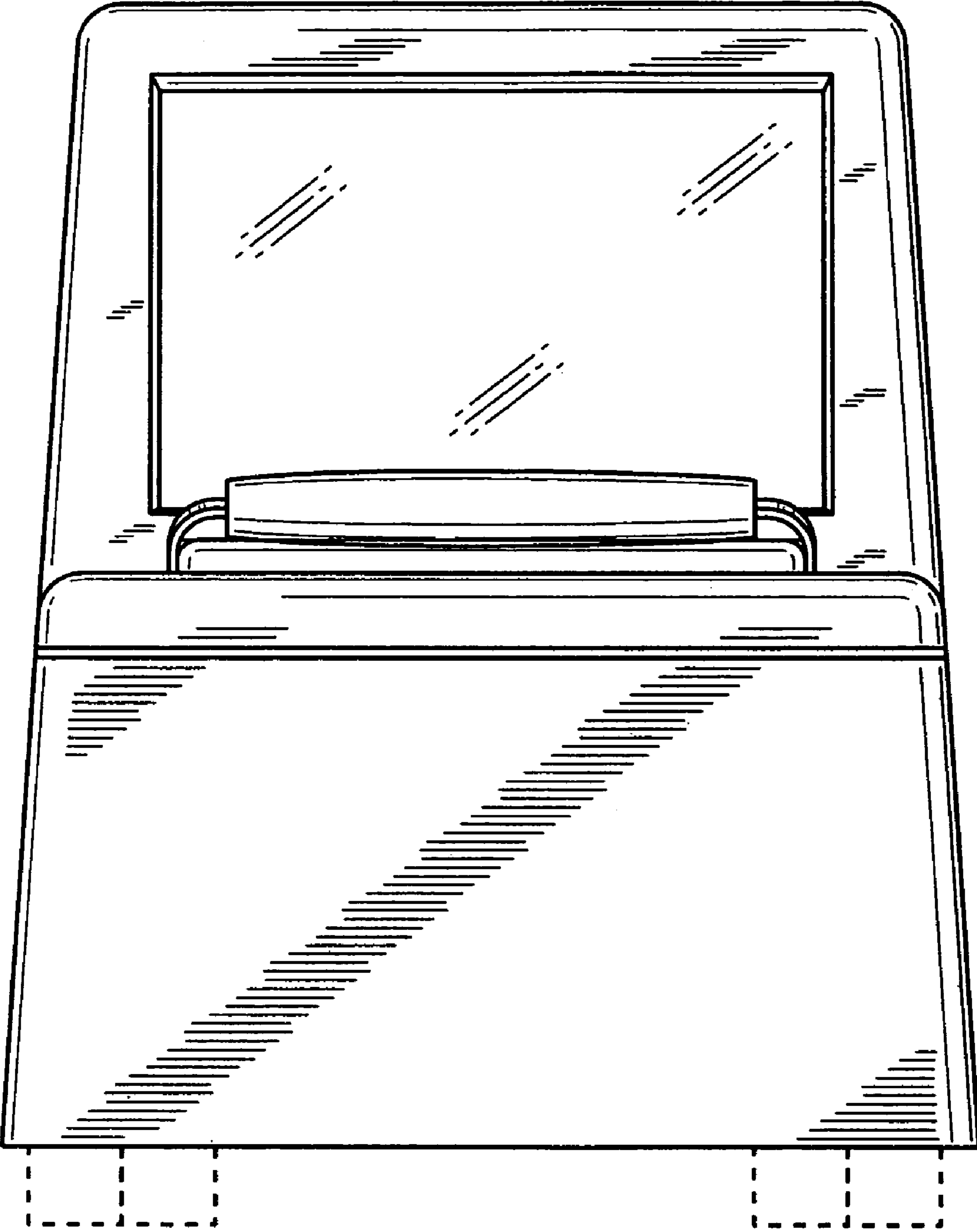
FIG. 9



**FIG. 10**



**FIG. 11**



**FIG. 12**

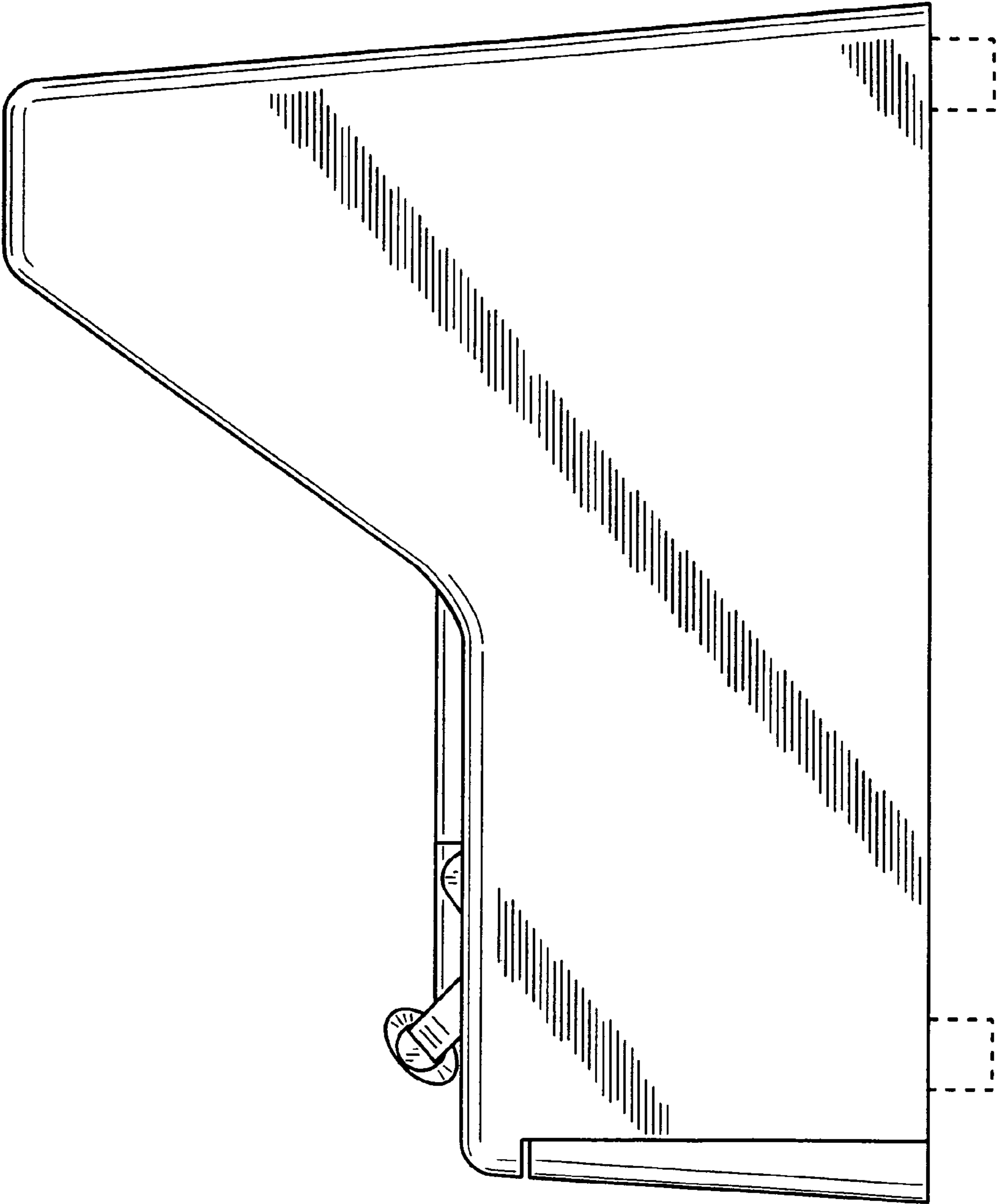
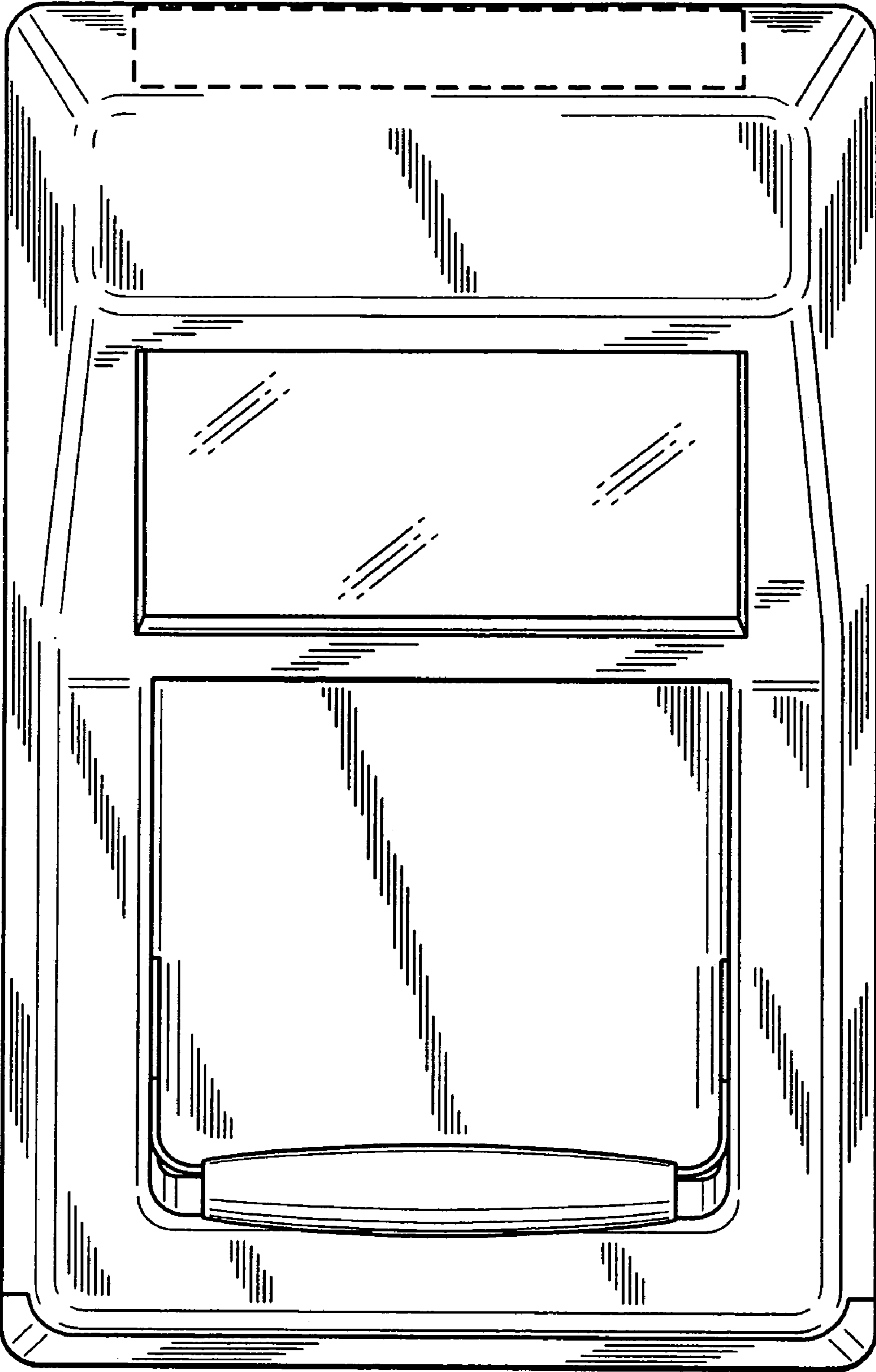
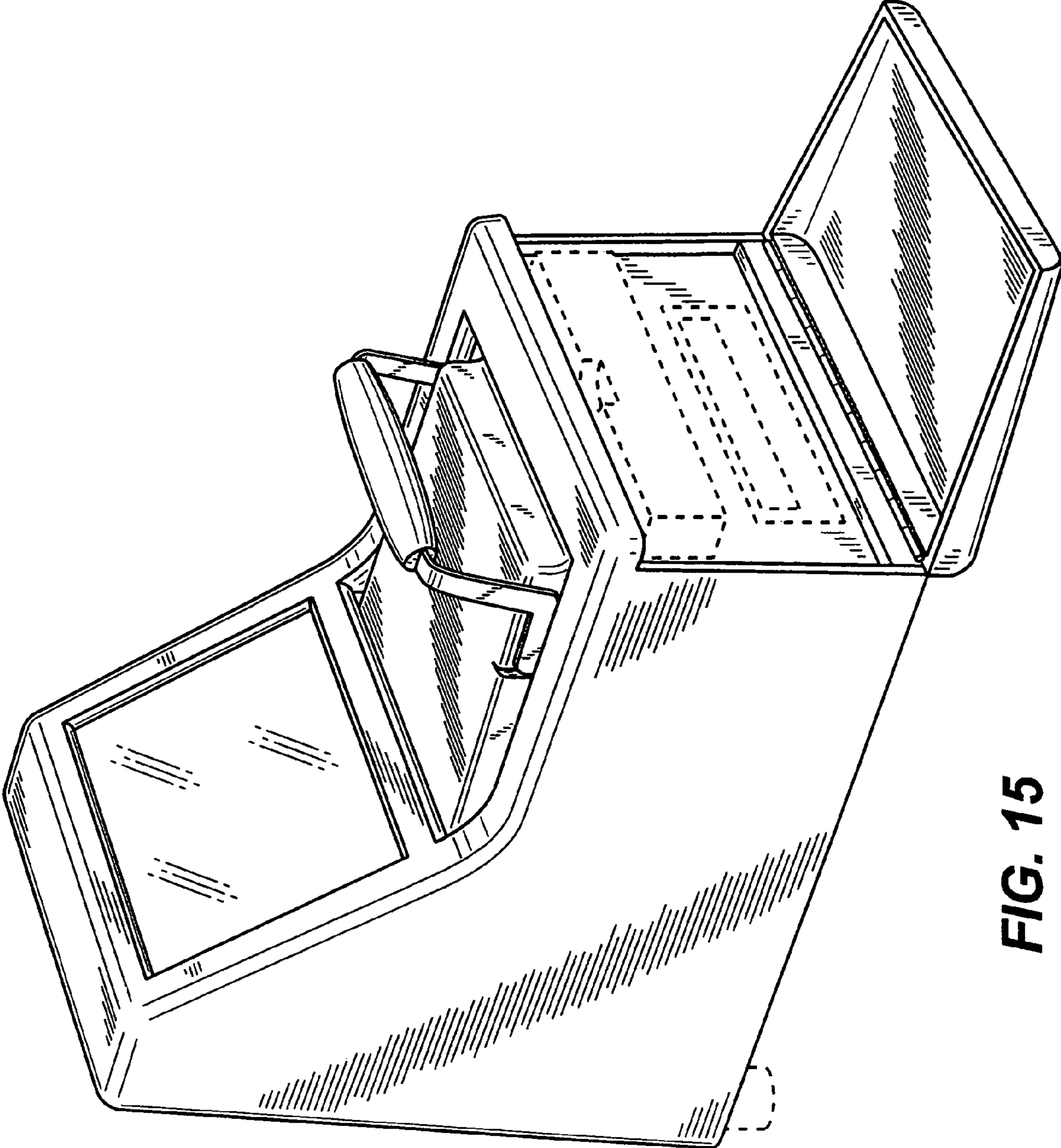


FIG. 13

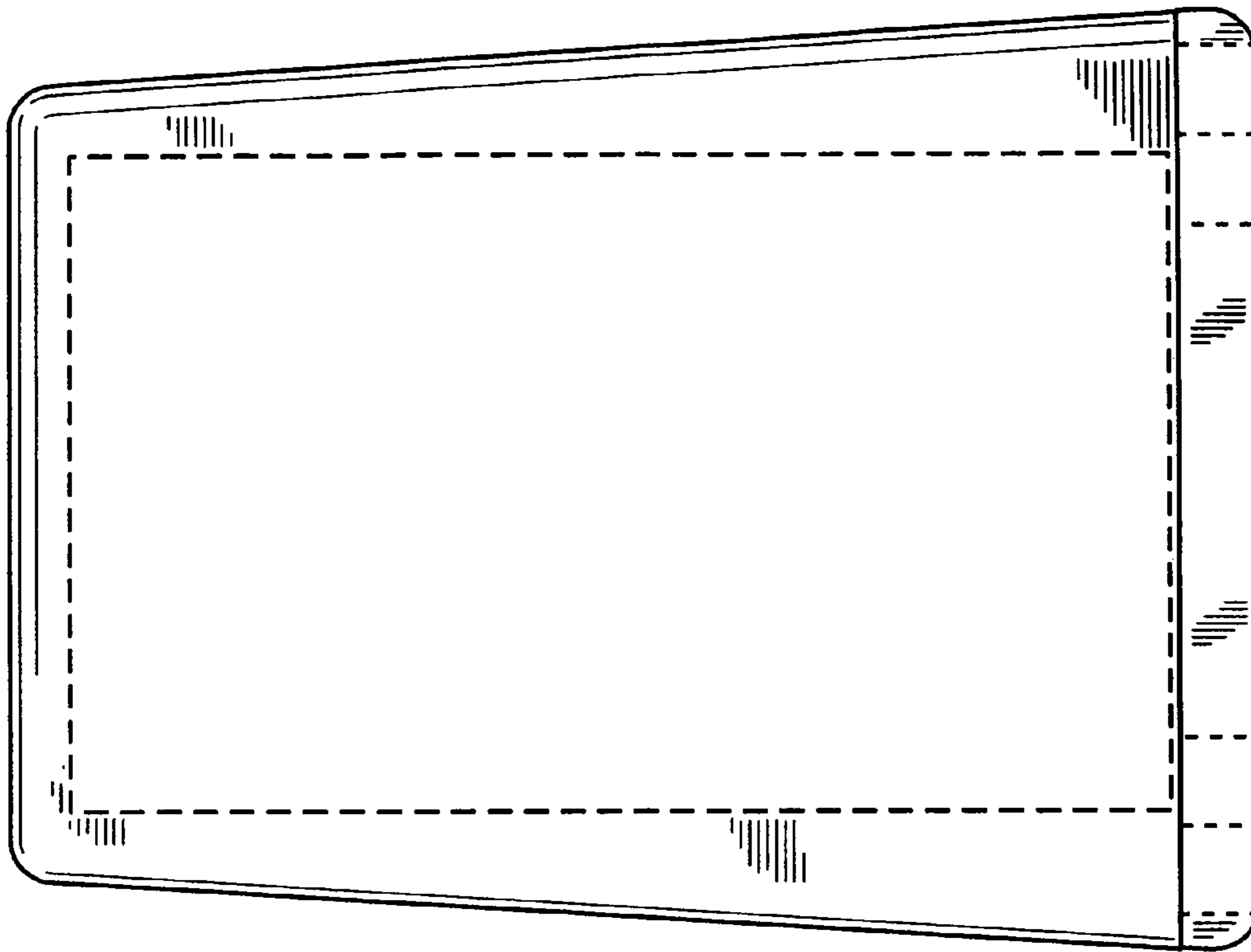


**FIG. 14**

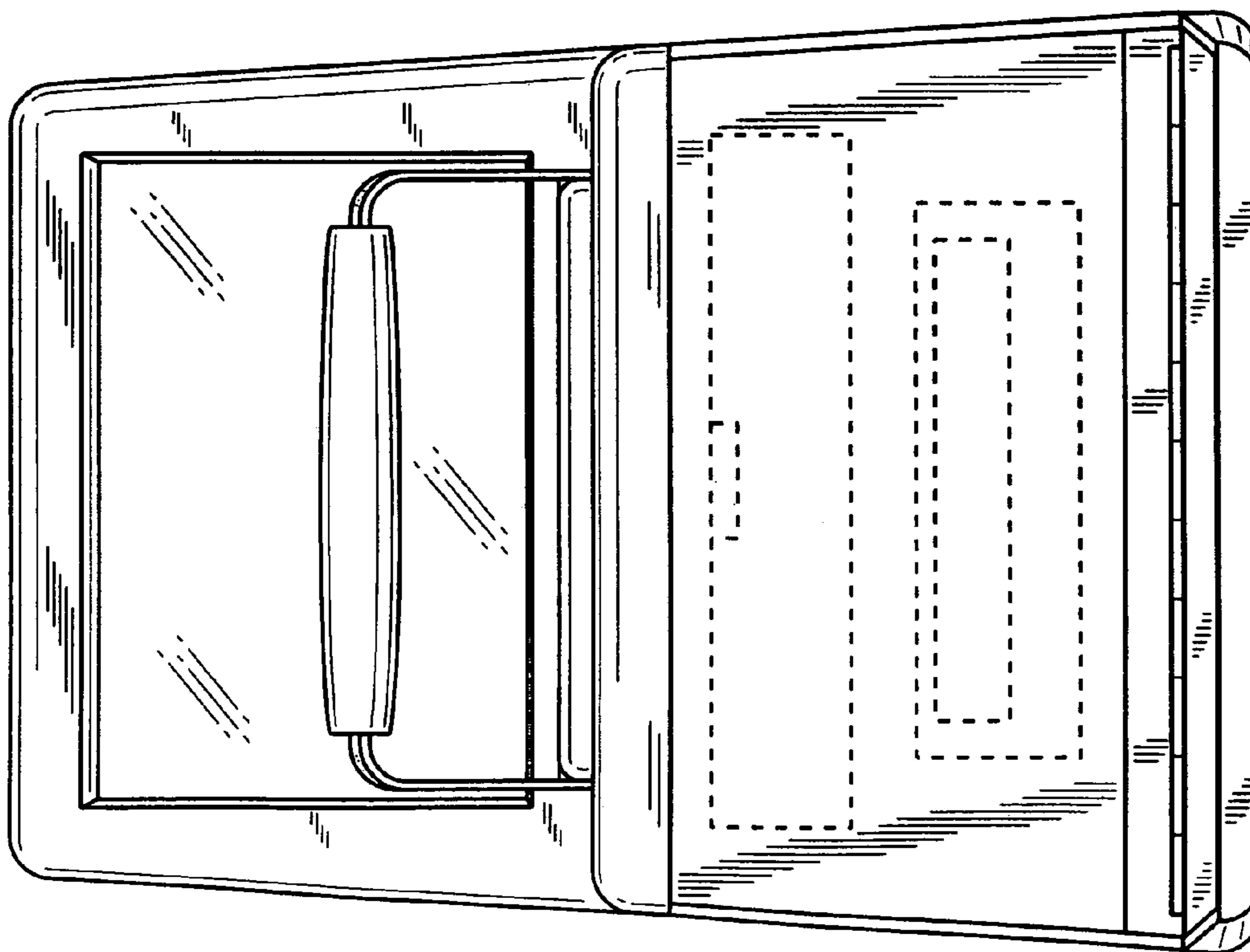


**FIG. 15**

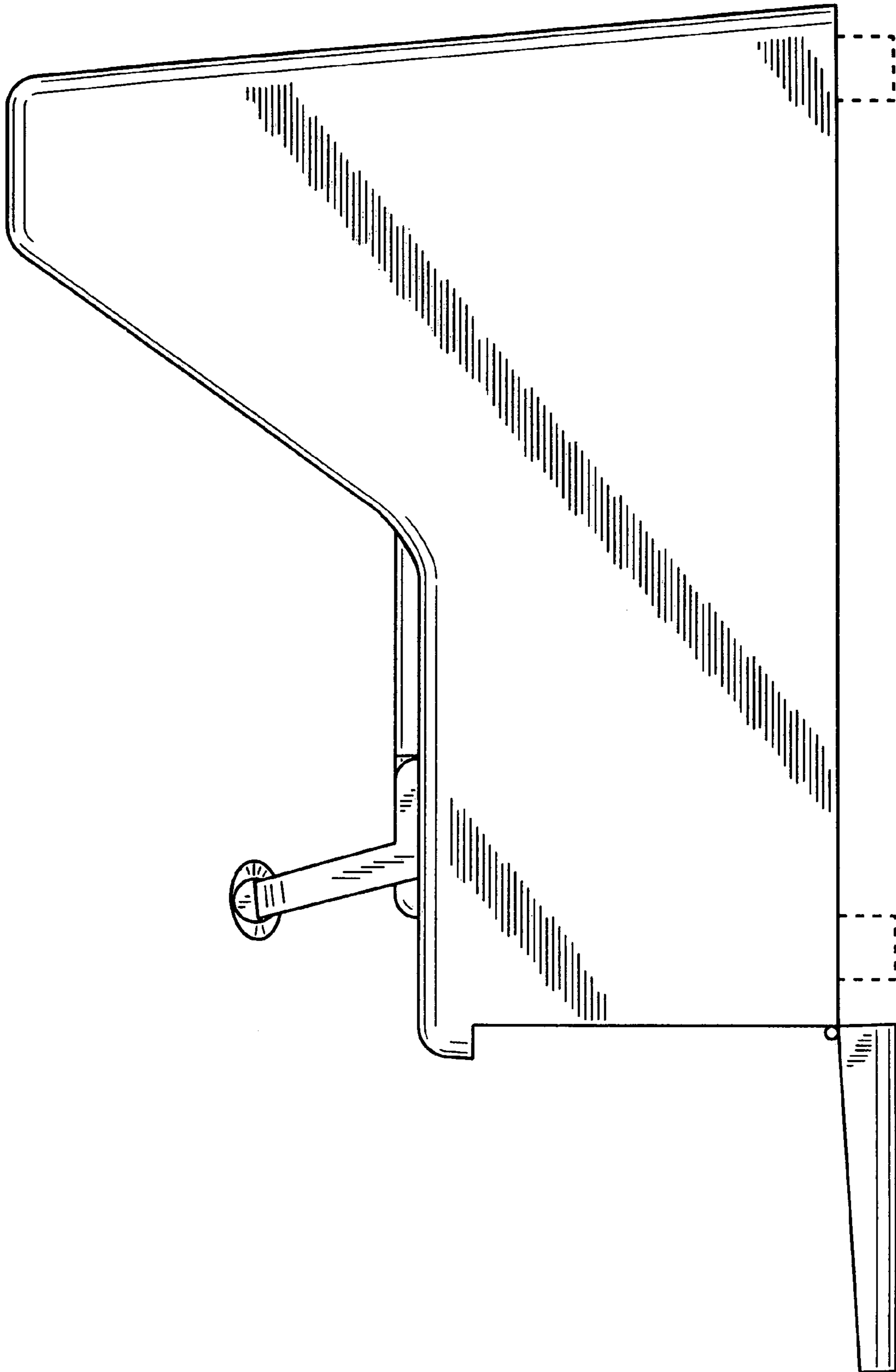




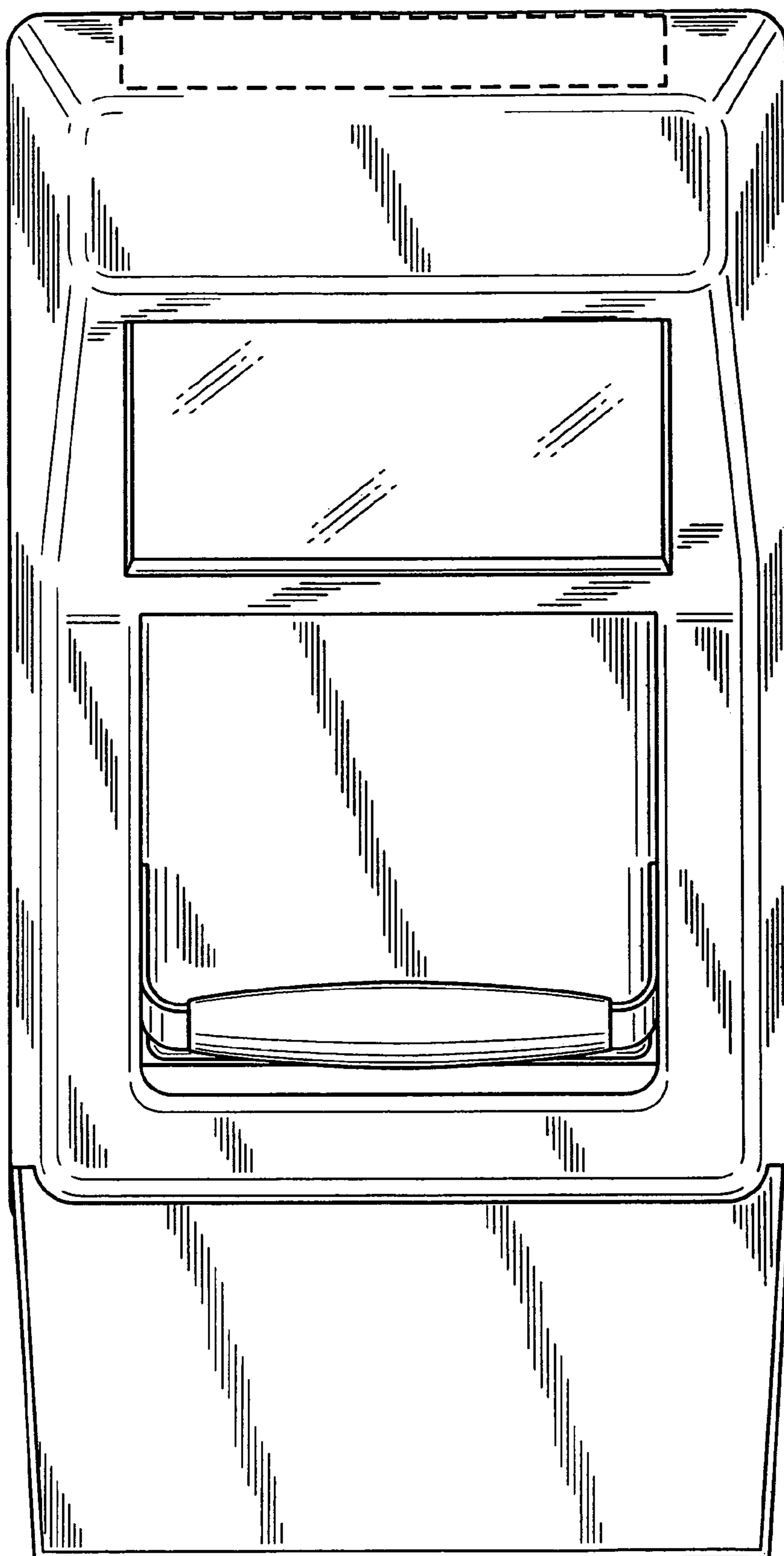
**FIG. 17**



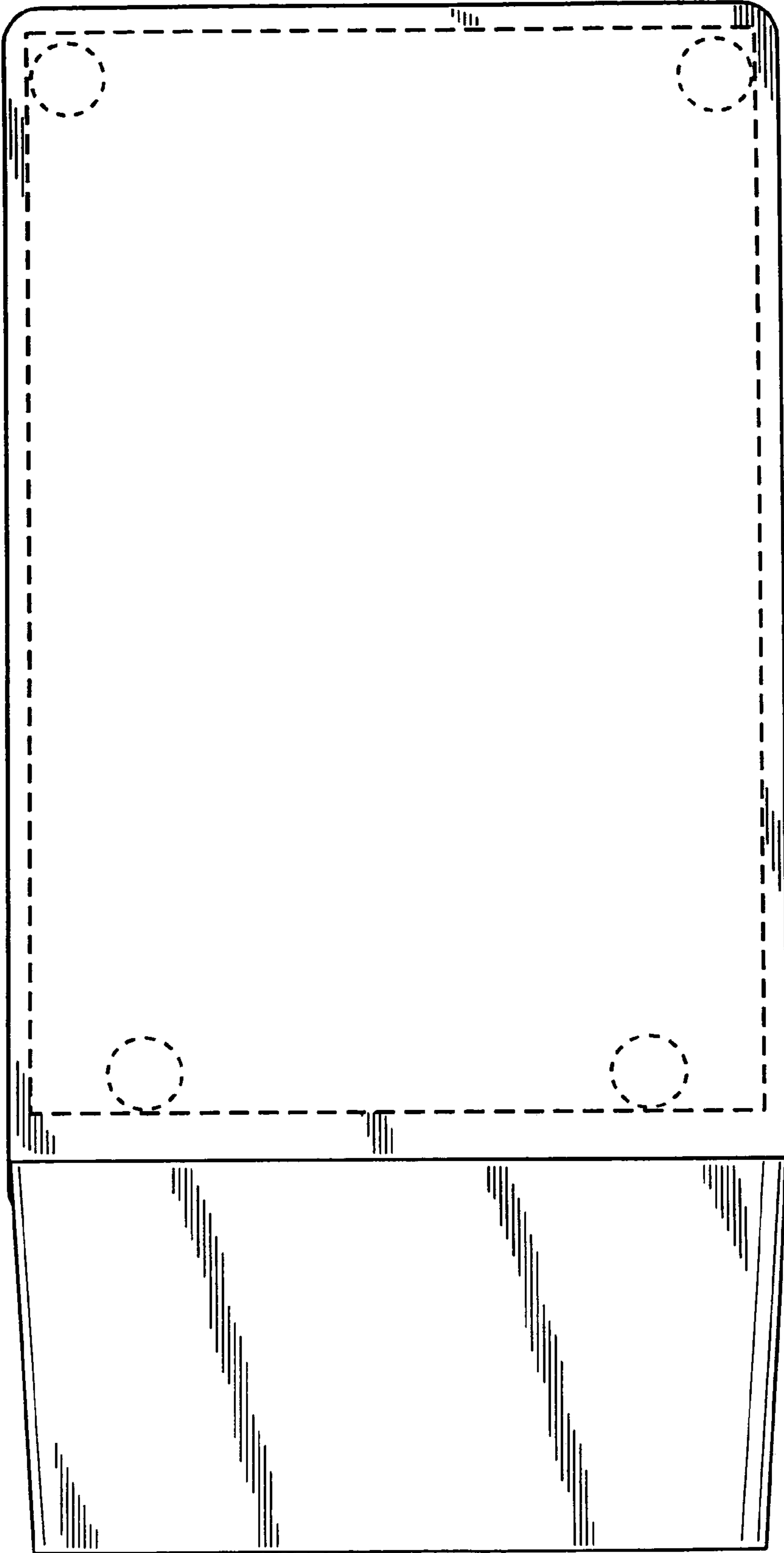
**FIG. 16**



**FIG. 18**



**FIG. 19**



**FIG. 20**