

US00D569522S

(12) **United States Design Patent**  
**Eliachar et al.**

(10) **Patent No.:** **US D569,522 S**

(45) **Date of Patent:** **\*\* May 20, 2008**

(54) **ROLLER BAR ELECTRODE**

5,549,605 A \* 8/1996 Hahnen ..... 606/46  
5,766,215 A \* 6/1998 Muri et al. .... 606/46

(76) Inventors: **Eli Eliachar**, 25 Yefe Nof St., Haifa  
34371 (IL); **Ofer Yossepowitch**, 19  
Hadera St., Petach Tikva 49726 (IL);  
**Nir Lilach**, Kfar Yehoshua (IL)

\* cited by examiner

*Primary Examiner*—Robert A. Delehanty  
*Assistant Examiner*—Mark Cavanna  
(74) *Attorney, Agent, or Firm*—Daniel J. Swirsky;  
AlphaPatent Associates Ltd.

(\*\*) Term: **14 Years**

(21) Appl. No.: **29/223,999**

(22) Filed: **Feb. 24, 2005**

(30) **Foreign Application Priority Data**

Aug. 24, 2004 (IL) ..... 39604

(51) **LOC (8) Cl.** ..... **24-01**

(52) **U.S. Cl.** ..... **D24/187**

(58) **Field of Classification Search** ..... D24/133,  
D24/187; 606/41, 45–47  
See application file for complete search history.

(56) **References Cited**

U.S. PATENT DOCUMENTS

5,354,296 A \* 10/1994 Turkel ..... 606/41

(57) **CLAIM**

We claim the ornamental design for a roller bar electrode, as shown and described.

**DESCRIPTION**

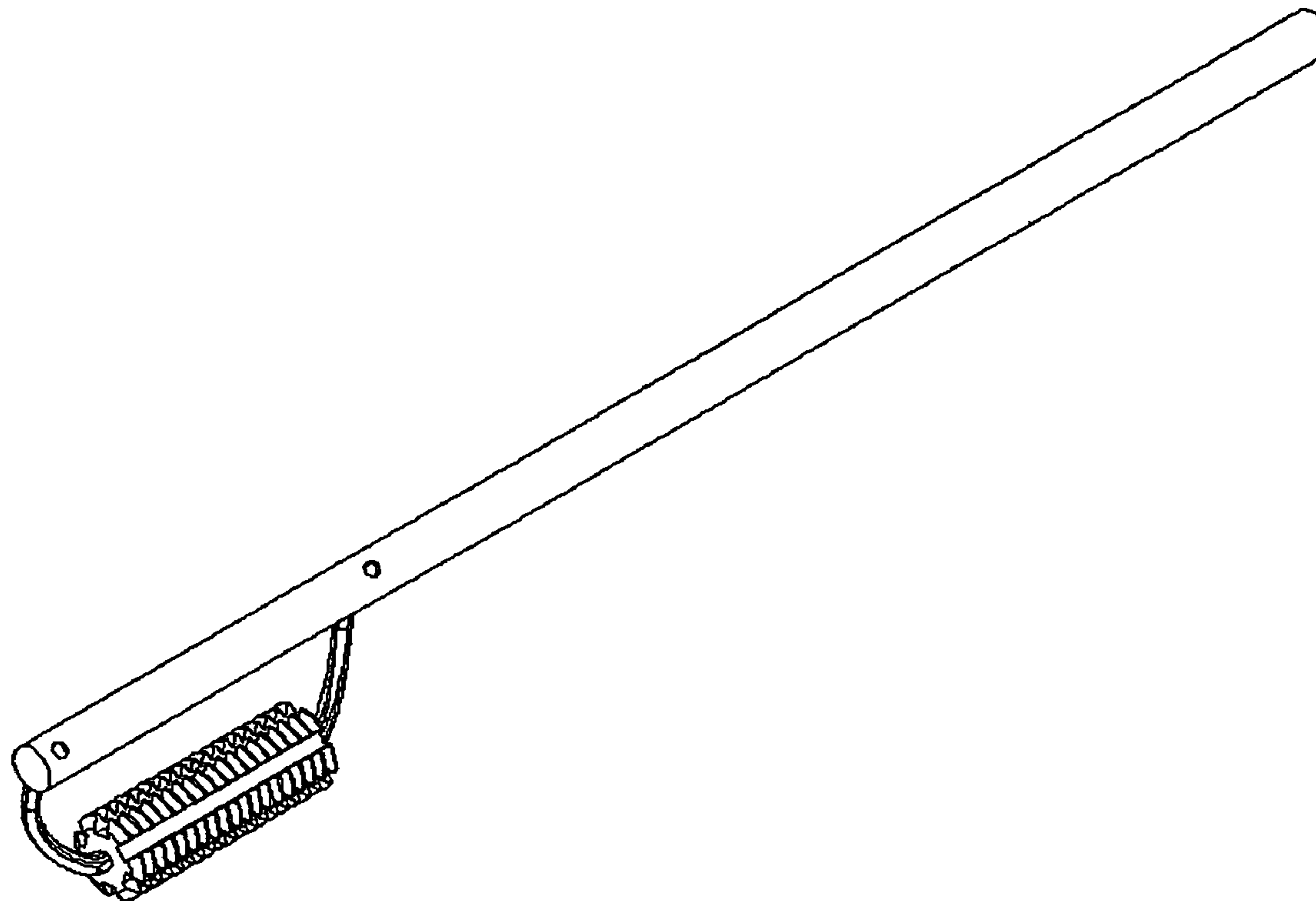
FIG. 1 is a prospective view of a roller bar electrode showing the new design;

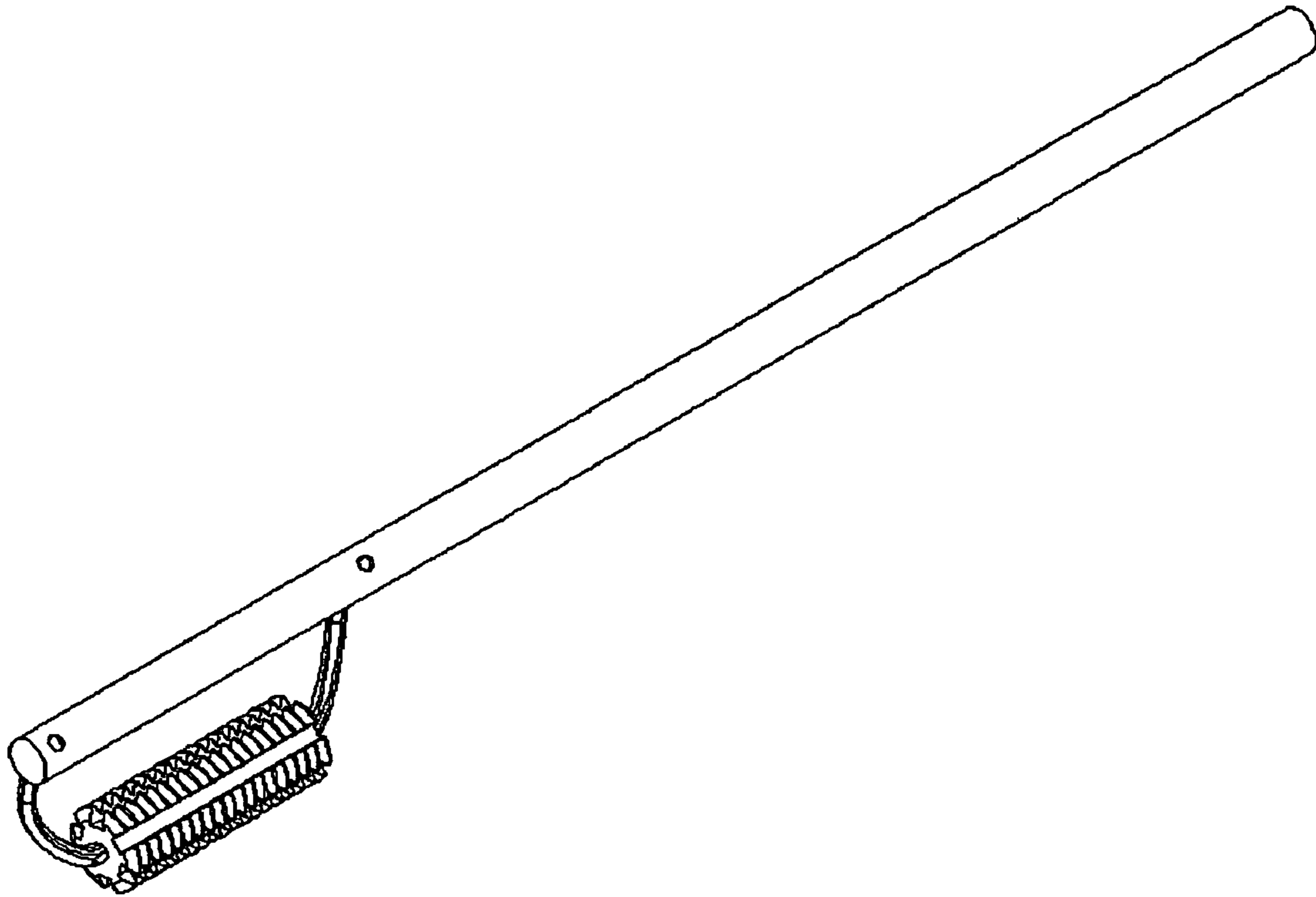
FIG. 2 is a rear view of the roller bar electrode thereof.

FIG. 3 is a lateral view of the roller bar electrode thereof; and,

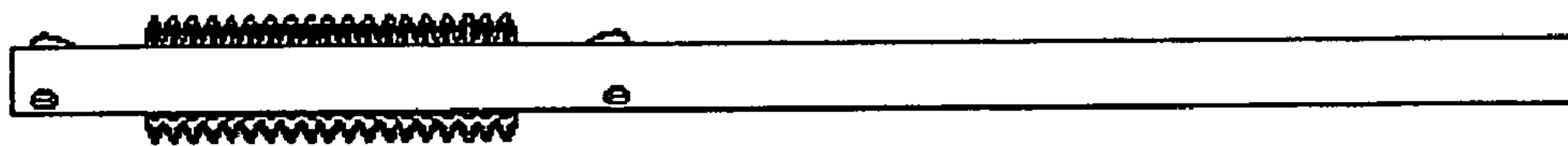
FIG. 4 is a front view of the roller portion of the roller bar electrode.

**1 Claim, 2 Drawing Sheets**

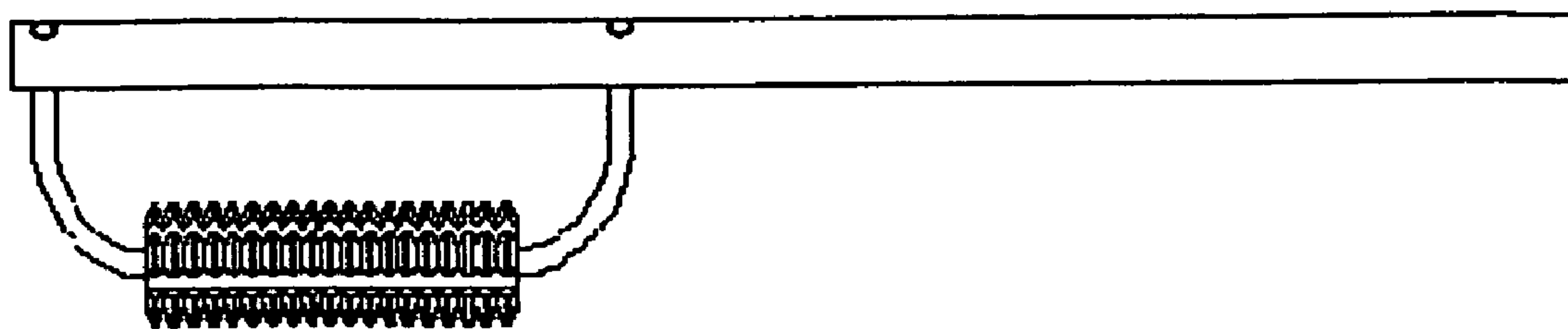




*Fig. 1*



*Fig. 2*



*Fig. 3*



*Fig. 4*