



US00D569520S

(12) **United States Design Patent**
DeBraal et al.

(10) **Patent No.:** **US D569,520 S**
(45) **Date of Patent:** **** May 20, 2008**

(54) **MEDICAL EXAMINATION TABLE CABINET**

(76) Inventors: **Jack A. DeBraal**, N6538 LaFerme Rd., Plymouth, WI (US) 53073; **Richard S. Walters**, N209 Ter Maat Rd., Cedar Grove, WI (US) 53013; **Michael J. Bargiel**, 341 8th Ave., West Bend, WI (US) 53095; **Joey R. Karczewski**, 2664 S. 7th St., Milwaukee, WI (US) 53215; **Michael F. Hoft**, W143 N10545 Evergreen Cir., Germantown, WI (US) 53022; **Vanessa B. Parrish**, 4302 Idaho Ave., Nashville, TN (US) 37209

2,306,031 A 12/1942 Anderson et al.
2,538,993 A 1/1951 Travis
2,565,784 A 8/1951 Sheean
2,605,151 A 7/1952 Shampaine
2,606,801 A 8/1952 Shampaine
D170,305 S 9/1953 Claus

(Continued)

Primary Examiner—Robert A. Delehanty
Assistant Examiner—Mark Cavanna
(74) *Attorney, Agent, or Firm*—Ryan Kromholz & Manion, S.C.

(**) Term: **14 Years**

(21) Appl. No.: **29/235,154**

(22) Filed: **Jul. 28, 2005**

(51) **LOC (8) Cl.** **24-01**

(52) **U.S. Cl.** **D24/183**

(58) **Field of Classification Search** D24/178,
D24/183; D6/334–337, 360–361, 367–368;
D14/302–308; 5/600, 610, 612, 616–617;
312/209; 297/330

See application file for complete search history.

(56) **References Cited**

U.S. PATENT DOCUMENTS

217,646 A 7/1879 Sherer
487,625 A 12/1892 Kales
488,649 A 12/1892 Daggett
542,060 A 7/1895 Lentz
1,039,708 A 10/1912 Denquer
1,650,327 A 11/1927 Conrad
1,684,889 A 9/1928 Russ
1,891,629 A 12/1932 Van Wagner
1,967,422 A 7/1934 Nadelson
2,120,732 A 6/1938 Comper et al.
2,267,973 A 12/1941 Demcak
2,272,819 A 2/1942 Poetsch et al.

(57) **CLAIM**

The ornamental design for a medical examination table cabinet, as shown and described.

DESCRIPTION

FIG. 1 is a front perspective view of our medical examination table cabinet;

FIG. 2 is a perspective view similar to that of FIG. 1 with a portion of the cabinet in an elevated position;

FIG. 3 is a left side elevation view, the right side being a mirror image thereof;

FIG. 4 is a left side elevation view similar to FIG. 3 with a portion of the cabinet in an elevated position, the right side being a mirror image thereof;

FIG. 5 is a front elevation view;

FIG. 6 is a front elevation view similar to FIG. 5 with a portion of the cabinet in an elevated position;

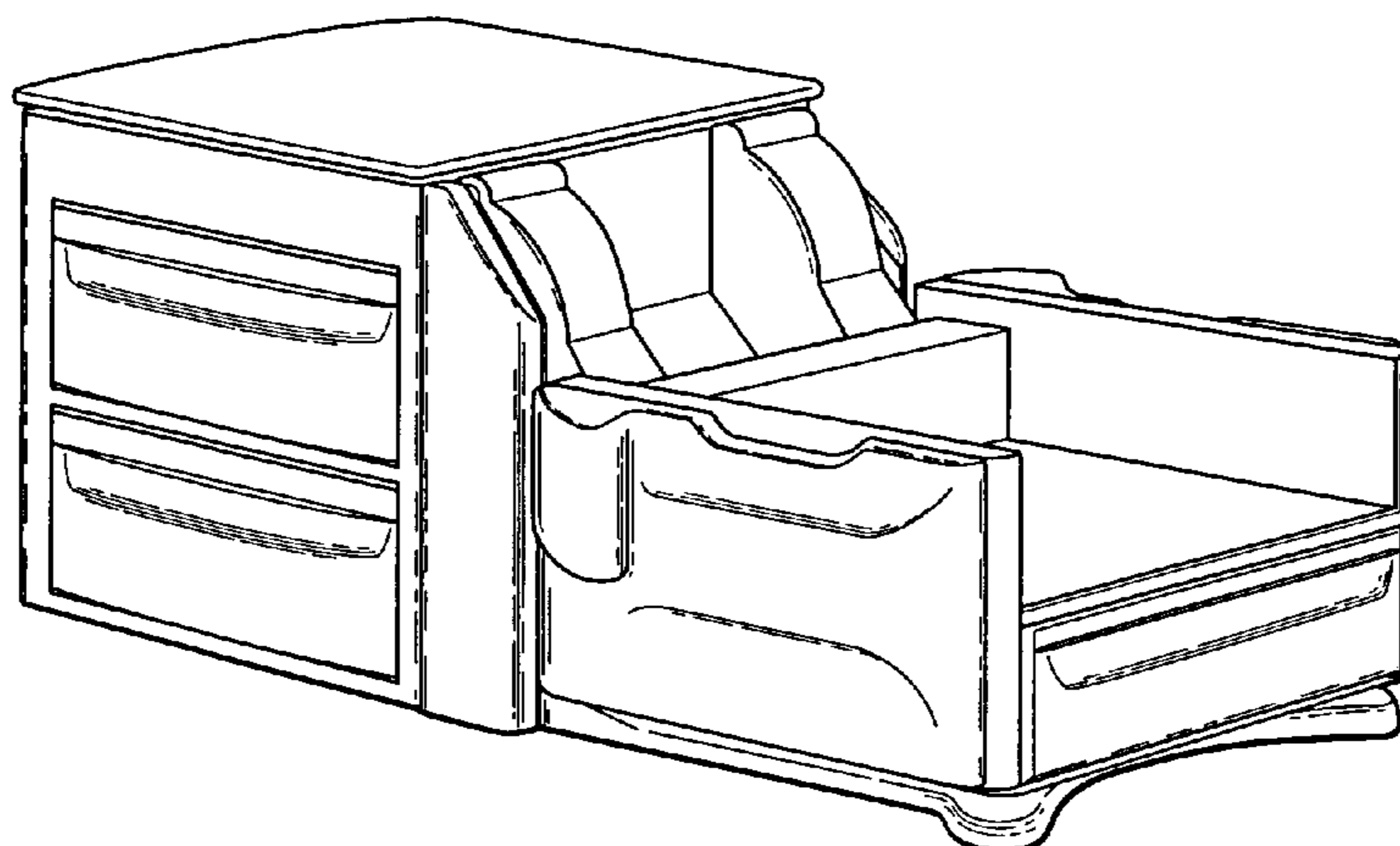
FIG. 7 is a rear elevation view;

FIG. 8 is a rear elevation view similar to FIG. 7 with a portion of the cabinet in an elevated position;

FIG. 9 is a top plan view; and,

FIG. 10 is a top view similar to FIG. 9 with a portion of the cabinet in an elevated position.

1 Claim, 3 Drawing Sheets



US D569,520 S

Page 2

U.S. PATENT DOCUMENTS					
			4,557,471 A	12/1985	Pazzini
			4,558,857 A	12/1985	Heller
			D282,398 S	1/1986	Yindra
2,652,887 A	9/1953	Fitzgerald	4,586,398 A	5/1986	Yindra
2,659,902 A	11/1953	Fitzgerald et al.	4,586,762 A	5/1986	Kennedy et al.
2,679,445 A	5/1954	Roehm	4,589,124 A	5/1986	Ruiz
2,682,671 A	7/1954	Faure	4,589,642 A	5/1986	Schnelle et al.
2,788,529 A	4/1957	Moritzacky et al.	4,600,248 A	7/1986	Pflieger
2,801,142 A	7/1957	Adams	4,602,756 A	7/1986	Chatfield
2,941,215 A	6/1960	Johnson	4,606,575 A	8/1986	Kodet
3,016,275 A	1/1962	Grant	4,608,812 A	9/1986	Wilson
3,041,121 A	6/1962	Comper	D286,481 S	11/1986	Case et al.
3,100,129 A	8/1963	Adolphson	4,653,129 A	3/1987	Kuck et al.
D202,963 S	11/1965	Dailey	4,665,574 A	5/1987	Filips et al.
3,215,834 A	11/1965	Tayman	4,667,354 A	5/1987	Carey, Jr. et al.
D204,222 S	3/1966	Dailey	4,667,605 A	5/1987	Bastian
3,281,141 A	10/1966	Smiley et al.	4,691,393 A	9/1987	Kuck
D207,081 S	2/1967	Katzfey et al.	4,700,916 A	10/1987	Bastian et al.
D207,483 S	4/1967	Dottinger	4,716,840 A	1/1988	Tringali et al.
3,334,951 A	8/1967	Douglas, Jr. et al.	4,717,102 A	1/1988	Pflieger
3,348,893 A	10/1967	Katzfey et al.	4,732,089 A	3/1988	Mueller
3,355,163 A	11/1967	Leinassar	4,732,430 A	3/1988	Byrns
3,409,287 A	11/1968	Chervenka	4,750,305 A	6/1988	Bastian
3,411,766 A	11/1968	Lanigan	4,752,977 A	6/1988	Smith et al.
3,413,663 A	12/1968	Swann	4,761,000 A	8/1988	Fisher et al.
3,452,977 A	7/1969	Ryman	D297,597 S	9/1988	Simpkins et al.
3,499,529 A	3/1970	Katzfey et al.	4,796,846 A	1/1989	Meier et al.
3,638,935 A	2/1972	Lelugas et al.	4,805,365 A	2/1989	Bastian
3,658,317 A	4/1972	Bartlett et al.	D300,657 S	4/1989	Simpkins et al.
3,724,004 A	4/1973	Behrens	4,819,569 A	4/1989	Bastian et al.
3,754,749 A	8/1973	Lyon et al.	4,821,350 A	4/1989	Feldt
3,814,414 A	6/1974	Chapa	D300,997 S	5/1989	Simpkins et al.
3,817,512 A	6/1974	Torrey	4,826,117 A	5/1989	Bastian et al.
3,851,870 A	12/1974	Cook	4,826,221 A	5/1989	Harmon
3,868,103 A	2/1975	Pageot et al.	D301,925 S	6/1989	Simpkins et al.
3,905,591 A	9/1975	Schorr et al.	4,846,431 A	7/1989	Pflieger
3,944,205 A	3/1976	Mueller	4,852,941 A	8/1989	Jones
3,947,686 A	3/1976	Cooper et al.	4,858,260 A	8/1989	Failor et al.
3,967,128 A	6/1976	Smulewicz	4,865,303 A	9/1989	Hall
3,997,792 A	12/1976	Conrad et al.	4,872,656 A	10/1989	Brendgord et al.
4,003,704 A	1/1977	Zurolo et al.	4,872,657 A	10/1989	Lussi
4,034,972 A	7/1977	Peterson	4,905,266 A	2/1990	Kuck et al.
D245,287 S	8/1977	Damico et al.	4,913,413 A	4/1990	Raab
4,045,078 A	8/1977	Shine	4,916,725 A	4/1990	Quinter et al.
4,057,240 A	11/1977	Damico et al.	4,937,902 A	7/1990	Ceike Shapiro
4,076,230 A	2/1978	Pike	4,956,592 A	9/1990	Schulte et al.
D250,043 S	10/1978	Shine	4,958,816 A	9/1990	Chaney et al.
4,148,472 A	4/1979	Rais et al.	4,961,610 A	10/1990	Reeder et al.
4,168,099 A	9/1979	Jacobs et al.	4,966,351 A	10/1990	Klepacki
4,180,002 A	12/1979	Huempfner	4,968,013 A	11/1990	Kuck
4,183,596 A	1/1980	Greene et al.	4,973,034 A	11/1990	Michele
4,186,917 A	2/1980	Rais et al.	4,989,848 A	2/1991	Monroe
4,221,371 A	9/1980	Kuphal	4,995,067 A	2/1991	Royster et al.
4,284,268 A	8/1981	Gauthier	4,996,731 A	3/1991	Kruyt
4,287,422 A	9/1981	Kuphal et al.	5,005,667 A	4/1991	Anderson
D263,777 S	4/1982	Thompson	5,016,268 A	5/1991	Lotman
4,322,899 A	4/1982	Clune	D319,158 S	8/1991	Jones et al.
D265,241 S	6/1982	Patterson	5,037,053 A	8/1991	Fox et al.
D265,242 S	6/1982	Patterson	D321,097 S	10/1991	Jones et al.
D266,023 S	8/1982	McLachlan	D322,855 S	12/1991	Tabuchi
D266,765 S	11/1982	Clune	5,078,349 A	1/1992	Smith
4,383,351 A	5/1983	Fenwick	5,081,808 A	1/1992	Bastian et al.
4,407,687 A	10/1983	Mitchell	5,084,927 A	2/1992	Parkevich
4,464,780 A	8/1984	Ruiz	D326,381 S	5/1992	Heiligenthal et al.
4,501,414 A	2/1985	Mason et al.	5,157,787 A	10/1992	Donnellan et al.
4,506,872 A	3/1985	Westerberg et al.	D330,771 S	11/1992	Chaney et al.
4,508,387 A	4/1985	Gilbert et al.	D330,813 S	11/1992	Spitzer et al.
D278,668 S	5/1985	Simpkins	5,166,968 A	11/1992	Morse
4,516,805 A	5/1985	Leeper et al.	D333,736 S	3/1993	Nordstrom
4,529,185 A	7/1985	Gutierrez	5,203,135 A	4/1993	Bastian
4,540,165 A	9/1985	Green et al.	D335,409 S	5/1993	Kellems
4,545,628 A	10/1985	Richey	5,208,928 A	5/1993	Kuck et al.
4,547,092 A	10/1985	Vetter et al.	5,223,229 A	6/1993	Brucker
4,552,403 A	11/1985	Yindra			

US D569,520 S

5,231,719 A	8/1993	Schnelle	6,209,463 B1	4/2001	Koharchik et al.
D341,737 S	11/1993	Shepherd	6,212,713 B1	4/2001	Kuck et al.
5,269,326 A	12/1993	Verrier	6,230,343 B1	5/2001	Buiskool et al.
5,279,011 A	1/1994	Schnelle	6,237,172 B1	5/2001	Morgan, Sr.
D344,802 S	3/1994	Kuck et al.	6,240,579 B1	6/2001	Hanson et al.
D345,266 S	3/1994	Koguma	6,256,812 B1	7/2001	Bartow et al.
5,329,657 A	7/1994	Bartley et al.	6,264,006 B1	7/2001	Hanson et al.
5,339,750 A	8/1994	Smies	6,276,012 B2	8/2001	Borders
5,345,632 A	9/1994	Langenaeken et al.	6,289,537 B1	9/2001	Hopper et al.
5,348,375 A	9/1994	Steininger	6,295,671 B1	10/2001	Reesby et al.
D351,742 S	10/1994	Phleps et al.	6,345,193 B2	2/2002	Dutto et al.
5,369,825 A	12/1994	Reesby	6,351,678 B1	2/2002	Borders
5,369,827 A	12/1994	Parke et al.	6,353,949 B1	3/2002	Falbo
5,403,549 A	4/1995	McNeil et al.	6,363,555 B1	4/2002	LaRose
5,426,795 A	6/1995	Harty	6,374,133 B1	4/2002	Dutto et al.
D361,438 S	8/1995	Spencer et al.	6,382,725 B1	5/2002	Carroll
D361,900 S	9/1995	van den Heuvel	D458,780 S	6/2002	Siepmann et al.
D365,224 S	12/1995	Pohlman	D461,899 S	8/2002	Siepmann et al.
5,472,270 A	12/1995	Czarnecky et al.	D461,900 S	8/2002	Siepmann et al.
5,496,105 A	3/1996	Czarnecky et al.	D462,189 S	9/2002	Brockway et al.
5,507,050 A	4/1996	Welner	D462,445 S	9/2002	Barde et al.
D370,572 S	6/1996	Lin	D462,674 S	9/2002	Siepmann et al.
5,528,782 A	6/1996	Pfeuffer et al.	D463,861 S	10/2002	Siepmann et al.
5,538,215 A	7/1996	Hosey	6,505,364 B2	1/2003	Simmons et al.
5,564,662 A	10/1996	Lussi et al.	D473,312 S	4/2003	Cook
5,564,663 A	10/1996	Cook et al.	6,546,577 B1	4/2003	Chinn
5,565,834 A	10/1996	Hanley et al.	6,550,084 B2	4/2003	Siepmann et al.
5,568,209 A	10/1996	Priester et al.	6,568,008 B2	5/2003	Siepmann et al.
5,568,817 A	10/1996	Harty	6,638,299 B2	10/2003	Cox
D378,613 S	3/1997	Sundstrom	6,651,279 B1	11/2003	Muthuvelan
D378,961 S	4/1997	Nordstrom et al.	6,659,556 B2	12/2003	Pellerin
D379,409 S	5/1997	Schwaegerle et al.	6,678,908 B2	1/2004	Borders et al.
5,628,078 A	5/1997	Pennington et al.	6,681,423 B2	1/2004	Zachrisson
5,638,644 A	6/1997	Bastian	D487,360 S	3/2004	Lacina
5,645,313 A	7/1997	Best et al.	6,739,006 B2	5/2004	Newkirk et al.
5,655,238 A	8/1997	Stickley et al.	6,754,923 B2	6/2004	Borders et al.
5,660,405 A	8/1997	Campbell	6,769,145 B1	8/2004	Pfeuffer et al.
5,661,859 A	9/1997	Schaefer	D495,510 S	9/2004	Lacina
5,678,267 A	10/1997	Kinder	D496,462 S	9/2004	Walters et al.
5,680,957 A	10/1997	Liu	6,802,564 B2	10/2004	Brockway et al.
D386,634 S	11/1997	Daug	6,832,398 B2	12/2004	Borders et al.
5,689,999 A	11/1997	Wiley et al.	6,843,182 B2	1/2005	Torcheboeuf
5,706,678 A	1/1998	Sasaki	6,857,147 B2	2/2005	Somasundaram
5,754,997 A	5/1998	Lussi et al.	6,874,182 B2	4/2005	L'Hegarar et al.
5,771,513 A	6/1998	Kirchgeorg et al.	6,886,199 B1	5/2005	Schwaegerle
5,781,943 A	7/1998	Moening et al.	6,886,200 B2	5/2005	Blyshak et al.
5,855,207 A	1/1999	Moening et al.	2001/0000363 A1	4/2001	Borders
5,860,899 A	1/1999	Rassman	2001/0003789 A1	6/2001	Dutto et al.
D404,945 S	2/1999	Simpkins et al.	2002/0000008 A1	1/2002	Borders
D405,284 S	2/1999	van den Heuvel	2002/0170115 A1	11/2002	Borders et al.
D408,537 S	4/1999	Stickley et al.	2002/0170116 A1	11/2002	Borders et al.
D408,538 S	4/1999	Simpkins et al.	2003/0061662 A1	4/2003	Strobel et al.
D408,539 S	4/1999	Simpkins	2003/0071503 A1	4/2003	Brockway et al.
5,913,773 A	6/1999	Cox	2003/0074735 A1	4/2003	Zachrisson
5,919,131 A	7/1999	Smoler et al.	2003/0145383 A1	8/2003	Schwaegerle
5,924,960 A	7/1999	Cohen	2004/0068797 A1	4/2004	Smith et al.
5,926,876 A	7/1999	Haigh et al.	2004/0074002 A1	4/2004	Bannister
5,953,773 A	9/1999	Asada et al.	2004/0074003 A1	4/2004	Bannister
D417,098 S	11/1999	Teufel et al.	2004/0083549 A1	5/2004	L'Hegarar et al.
D417,571 S	12/1999	Teufel et al.	2004/0098804 A1	5/2004	Varadharajulu et al.
D418,225 S	12/1999	Simpkins et al.	2004/0133979 A1	7/2004	Newkirk et al.
D420,225 S	2/2000	Lamb et al.	2004/0143904 A1	7/2004	Borders et al.
6,023,800 A	2/2000	Stickley	2004/0148703 A1	8/2004	Doering et al.
6,038,718 A	3/2000	Pennington et al.	2004/0172756 A1	9/2004	Somasundaram
6,073,284 A	6/2000	Borders	2004/0172757 A1	9/2004	Somasundaram
D428,629 S	7/2000	Cohen	2004/0261176 A1	12/2004	Plannerer
6,101,652 A	8/2000	Matern, Jr.	2004/0261178 A1	12/2004	Gnoyke
6,106,065 A *	8/2000	Carroll 297/330	2005/0015878 A1	1/2005	Bannister et al.
6,115,978 A	9/2000	Bastian et al.	2005/0081294 A1	4/2005	Wolters
6,131,214 A	10/2000	Moening et al.	2005/0097675 A1	5/2005	Borders et al.
D436,176 S *	1/2001	Fanuzzi D24/183			
6,173,461 B1	1/2001	Alexander			
6,202,230 B1	3/2001	Borders			

* cited by examiner

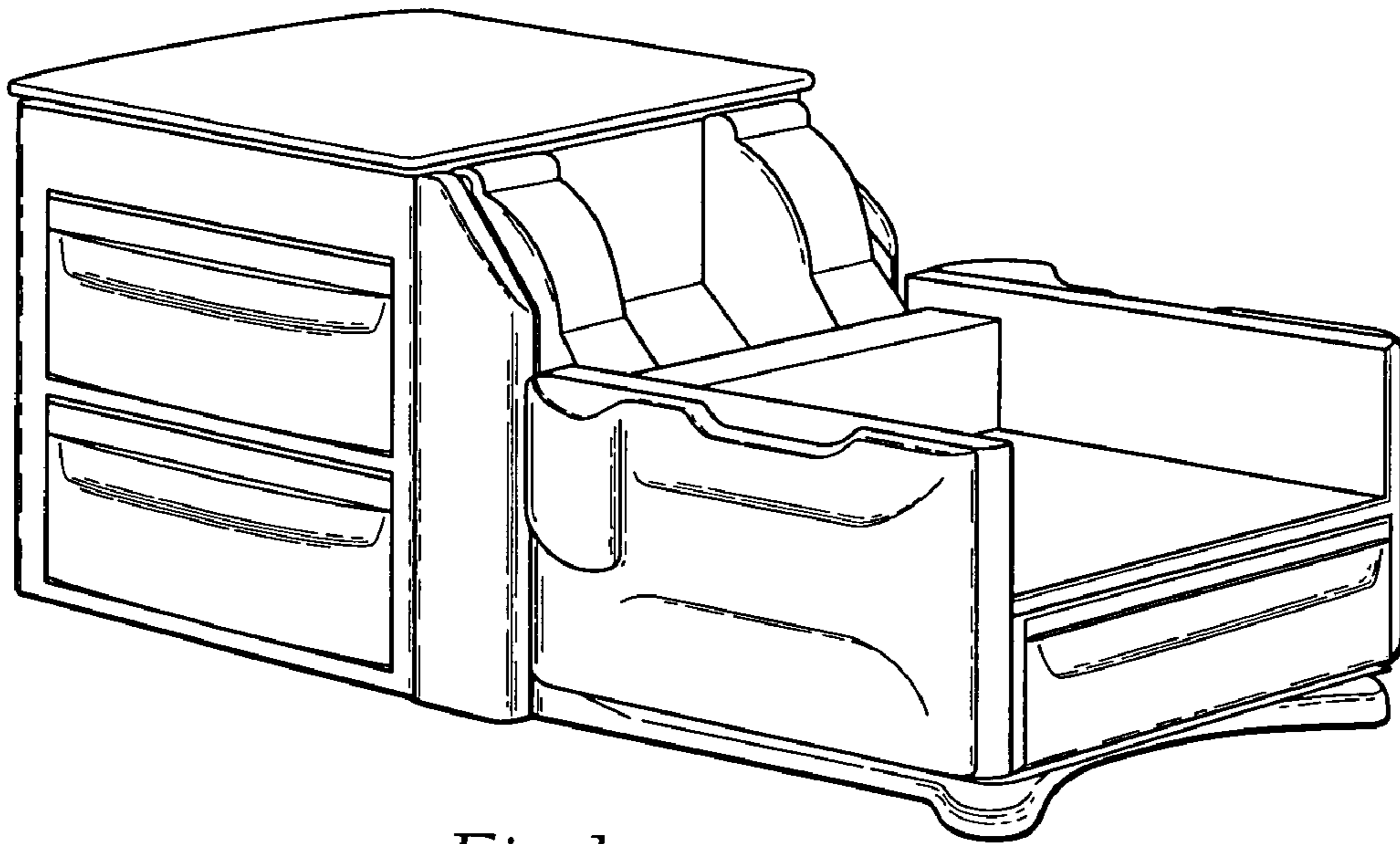


Fig. 1

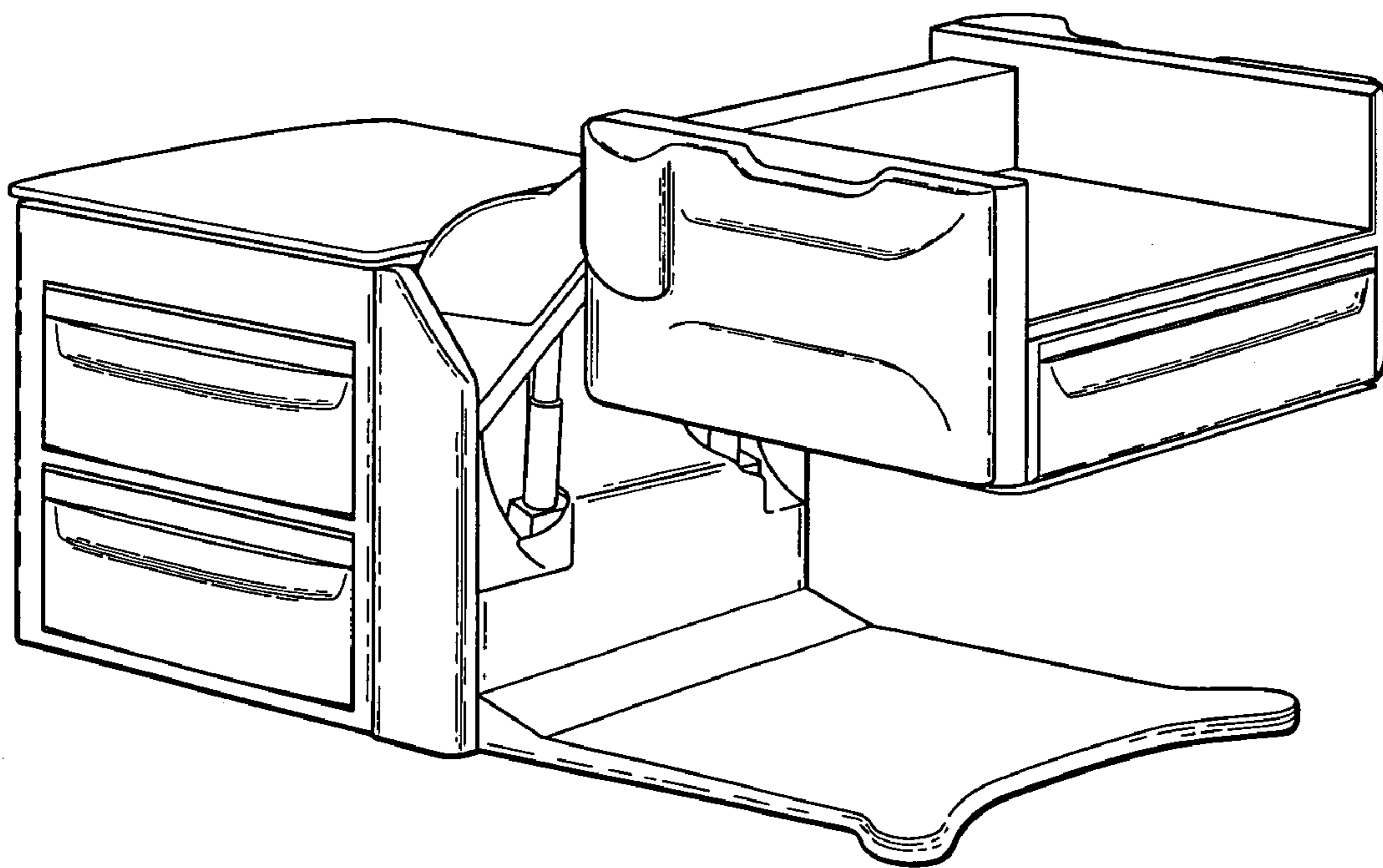


Fig. 2

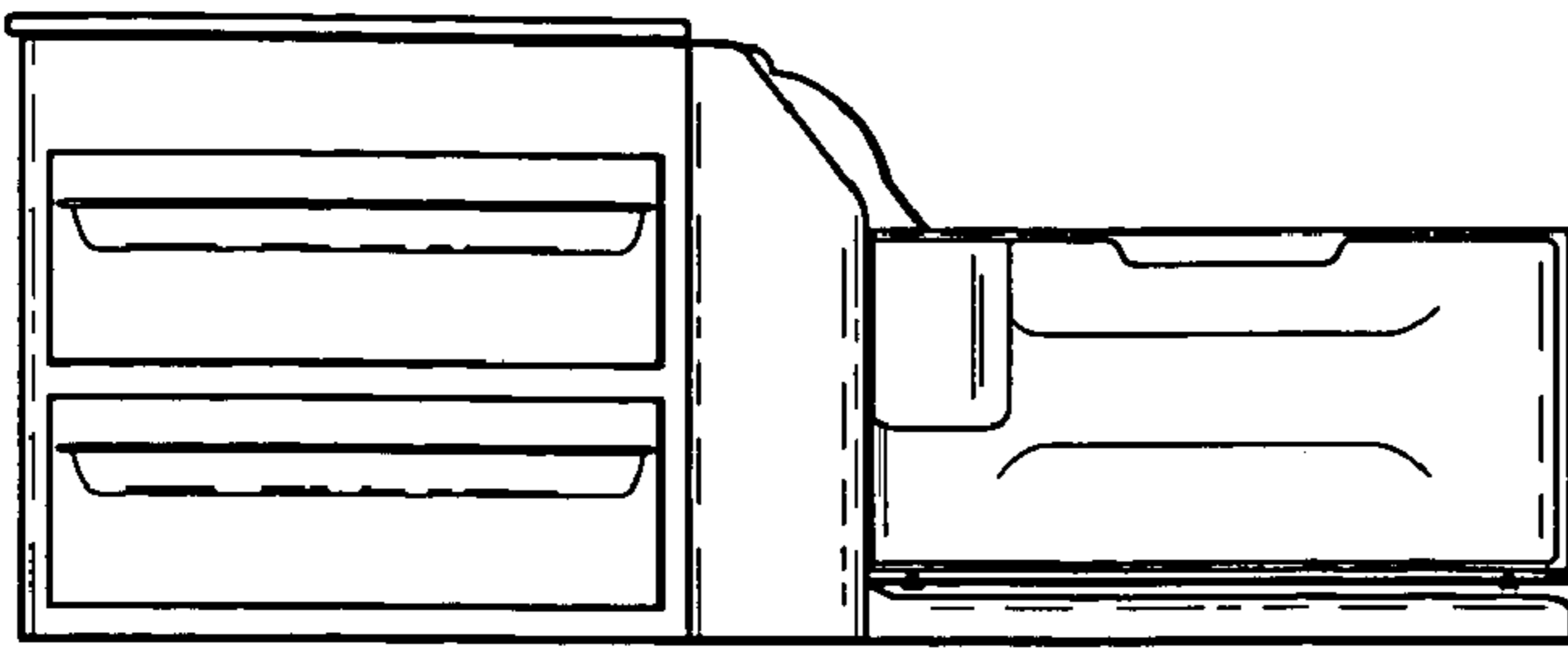


Fig. 3

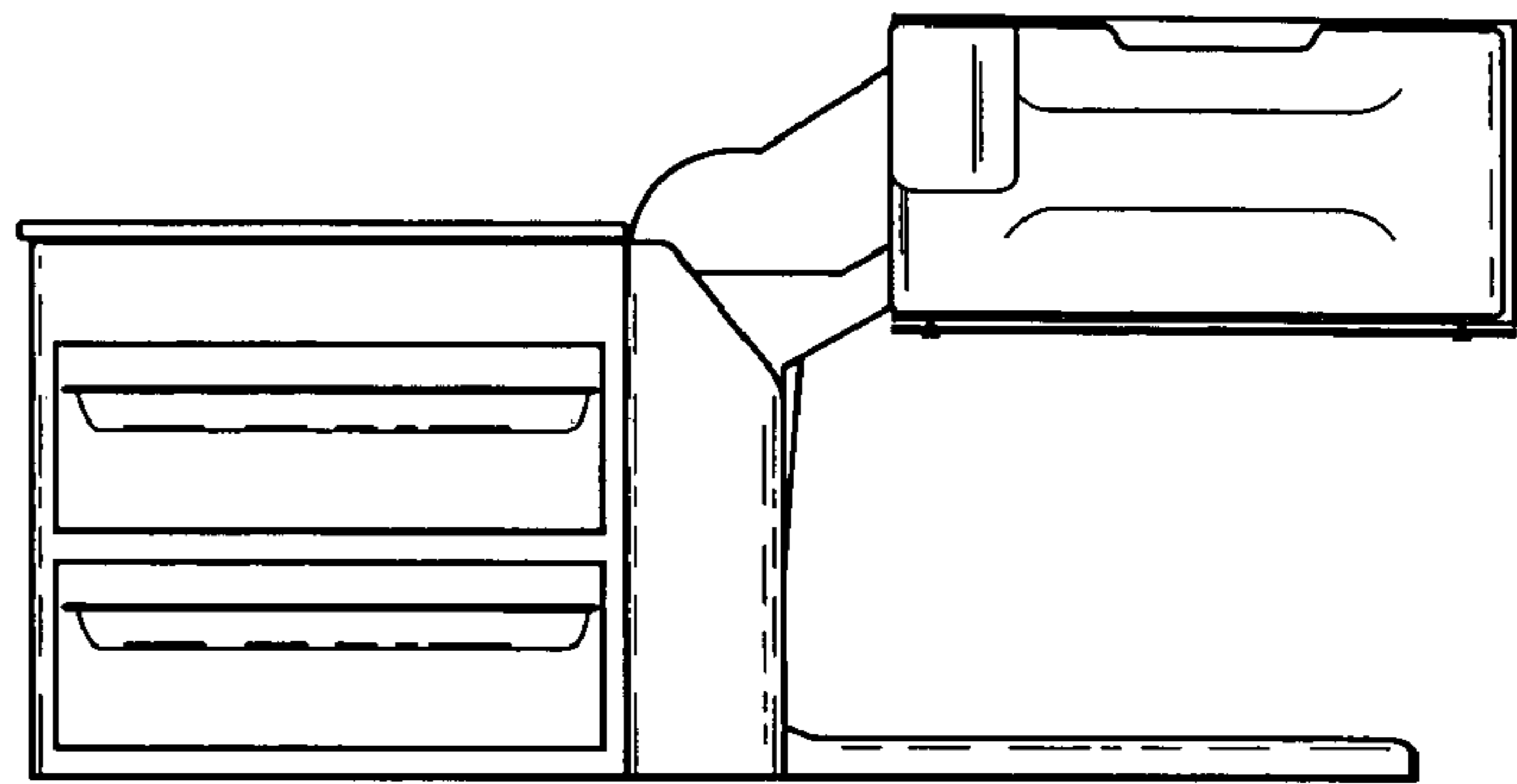


Fig. 4

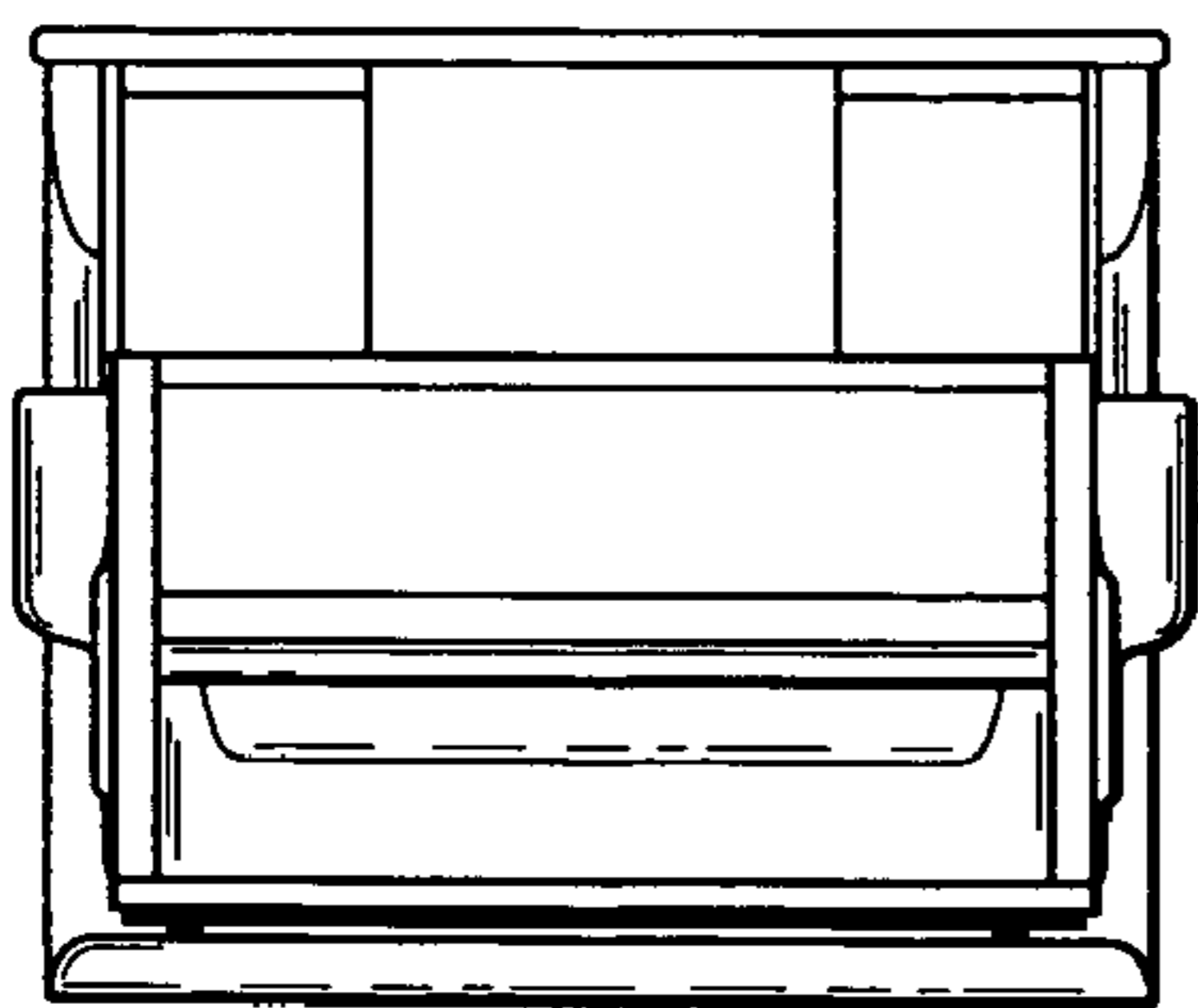


Fig. 5

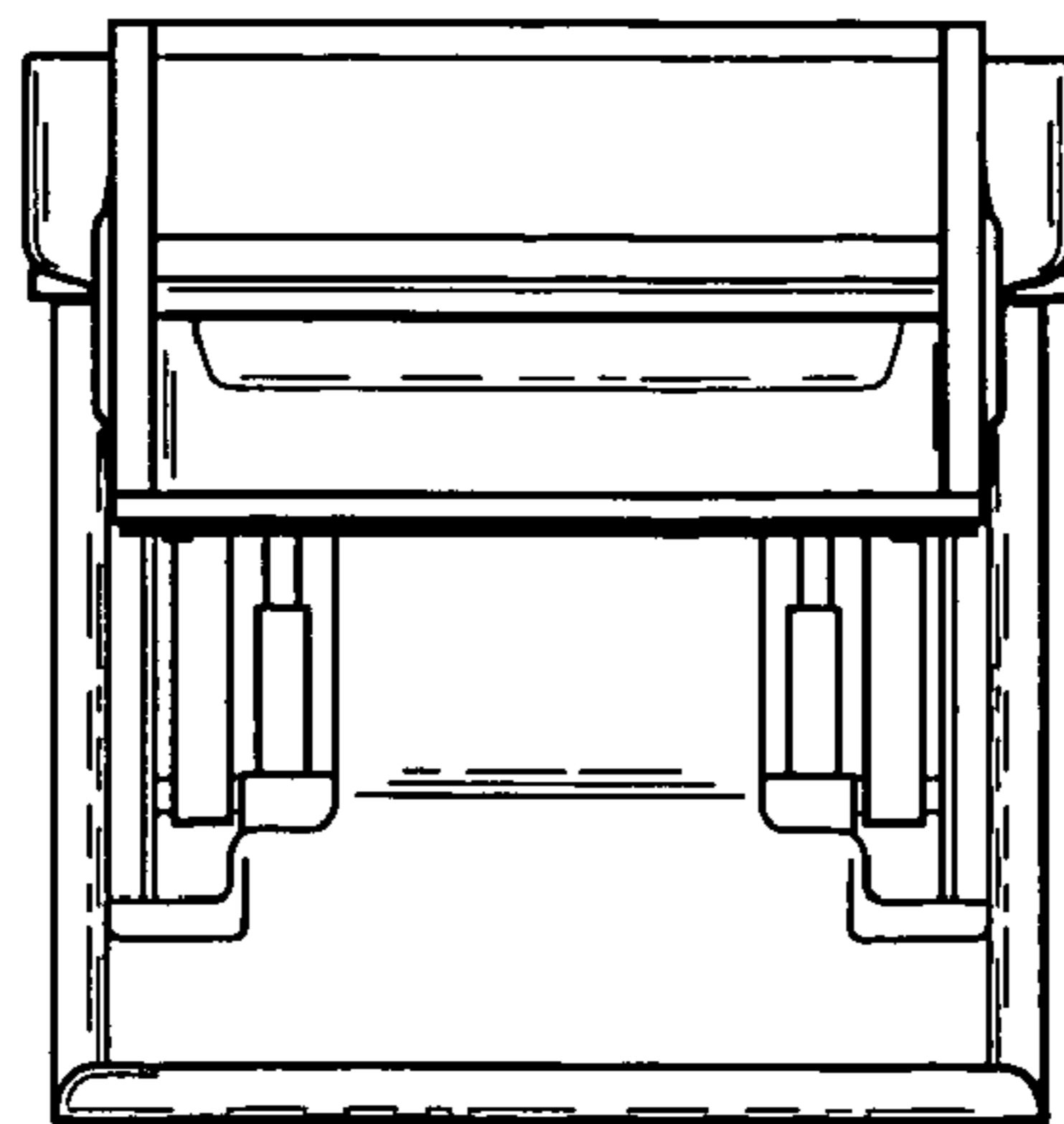


Fig. 6

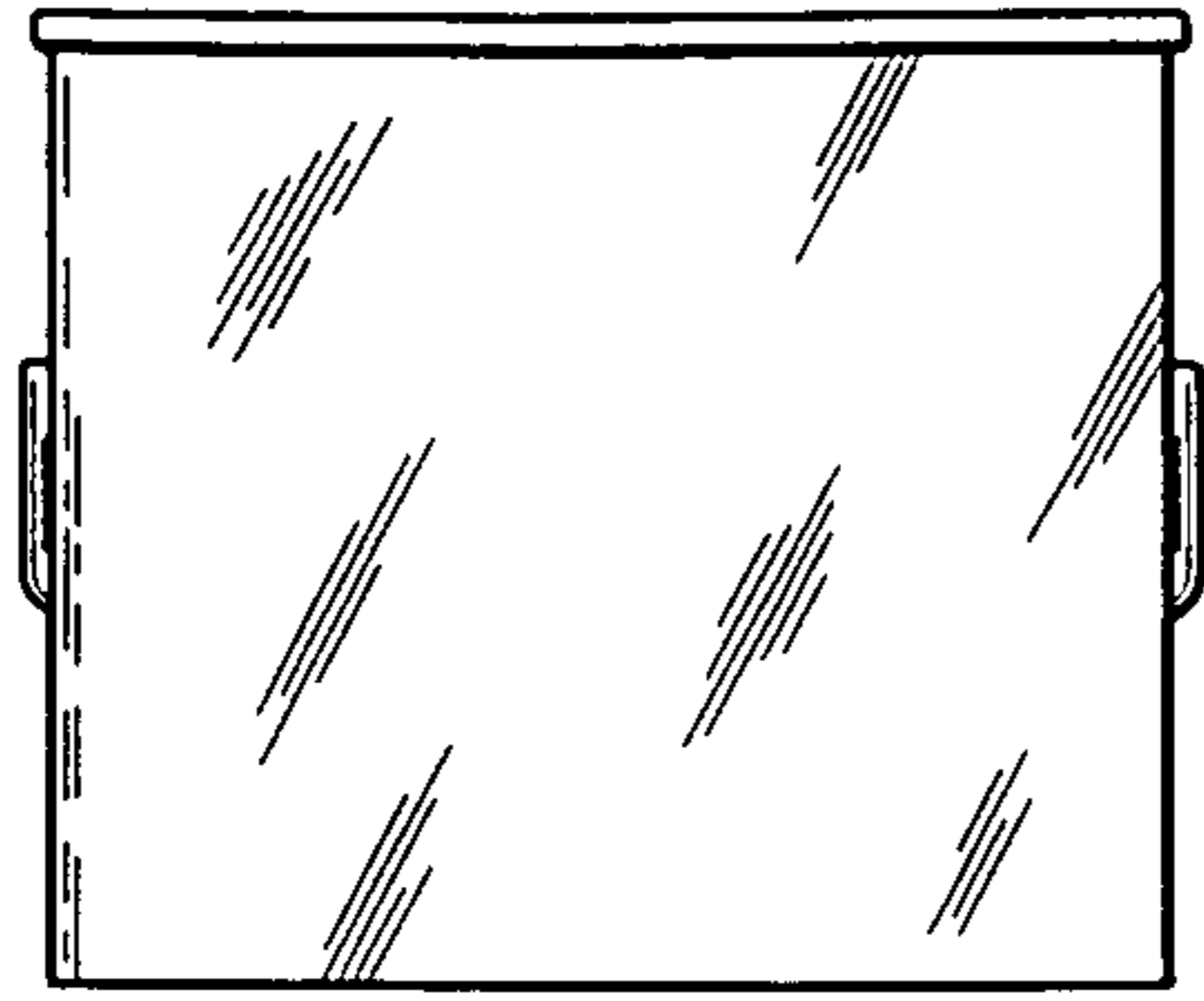


Fig. 7

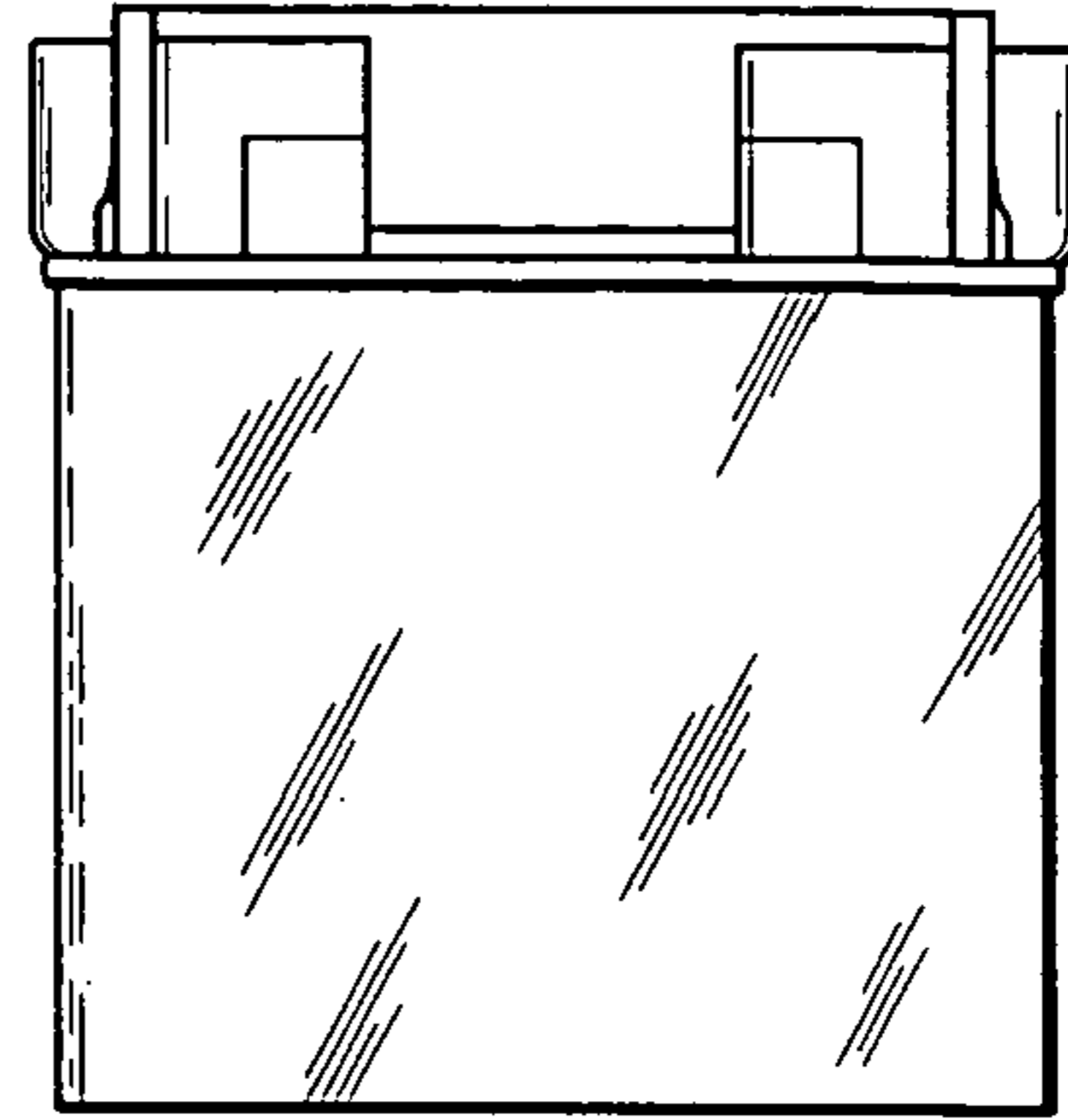


Fig. 8

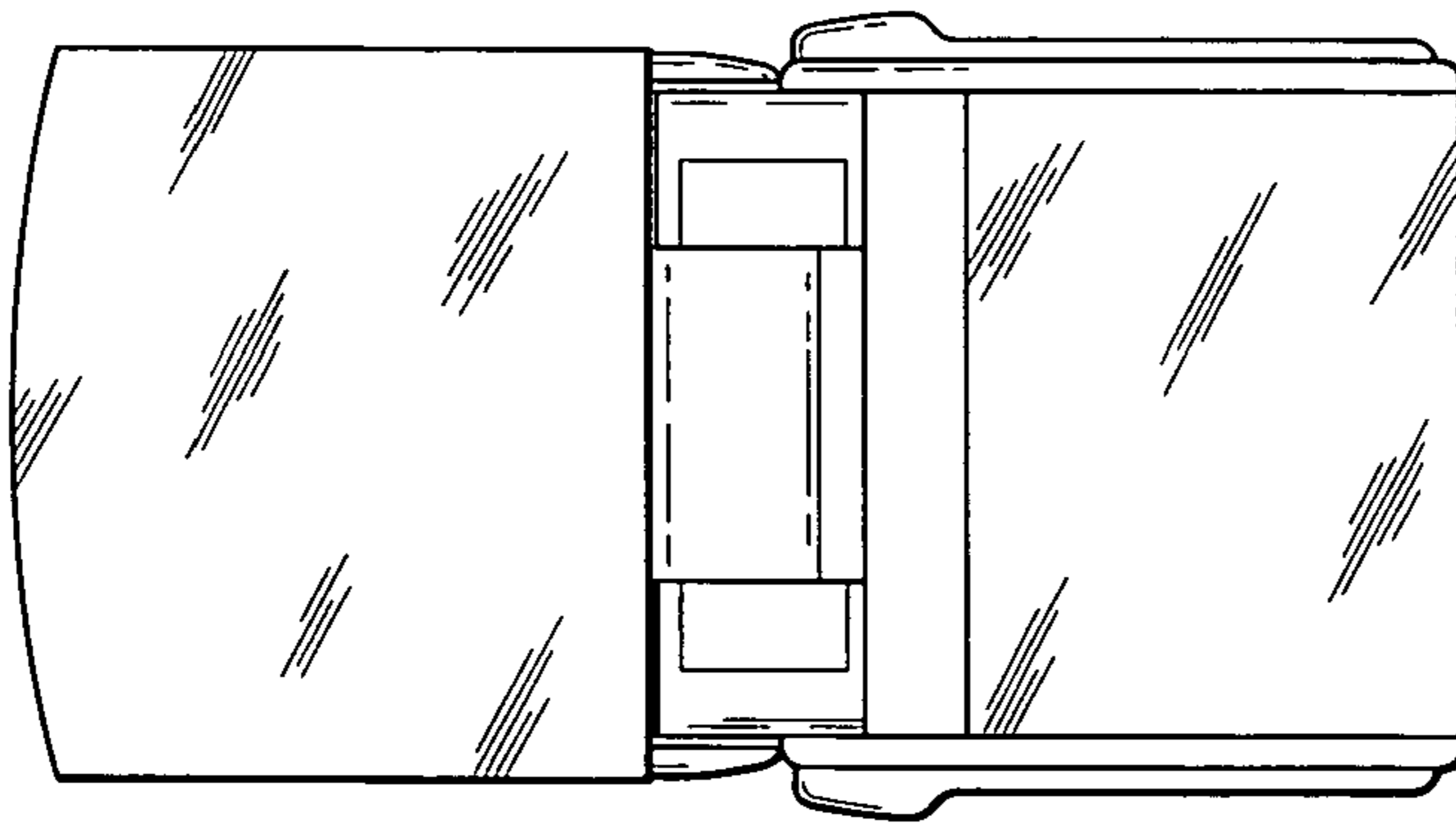


Fig. 9

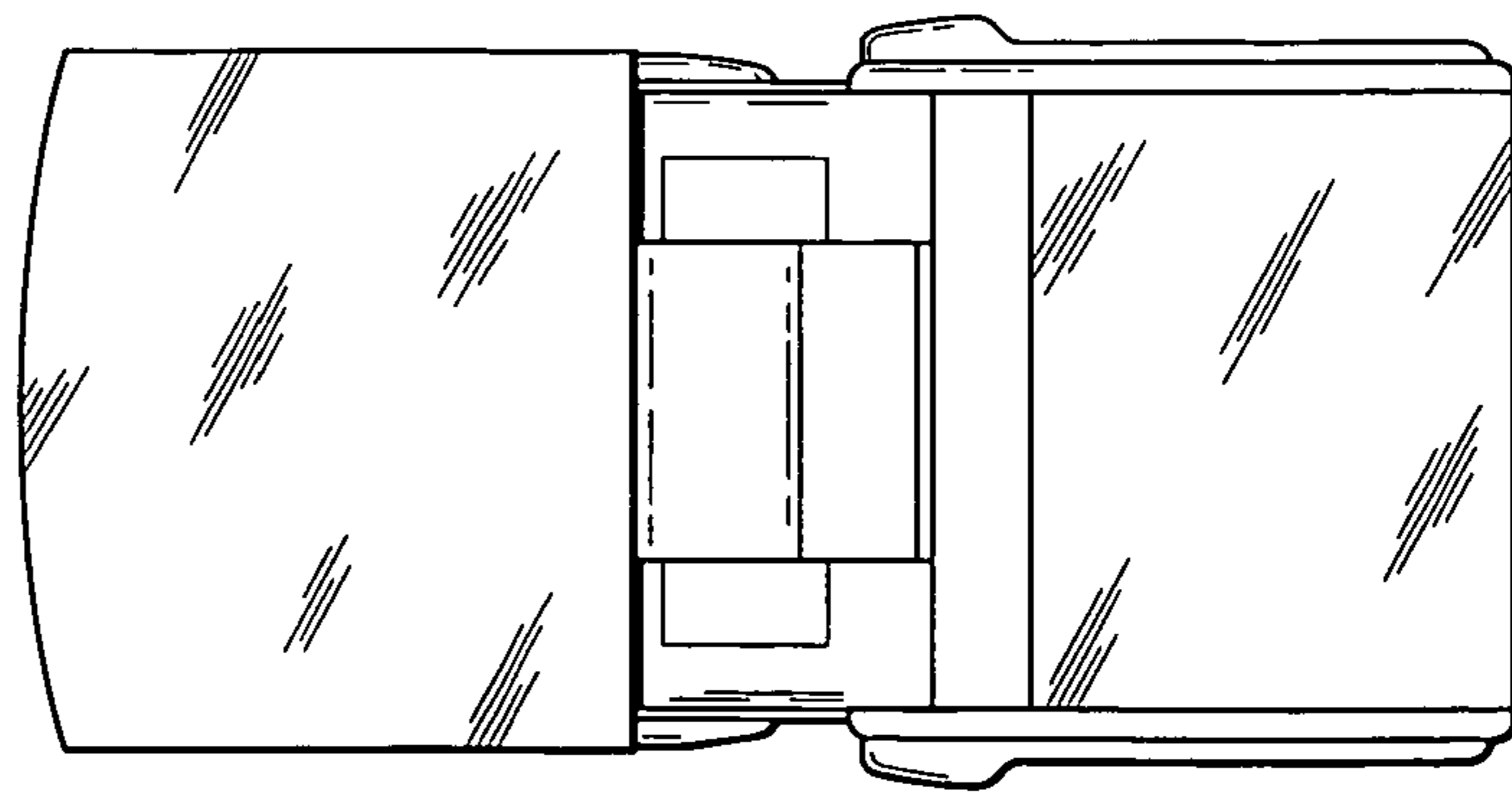


Fig. 10