



US00D569518S

(12) **United States Design Patent**
Kitamura et al.

(10) **Patent No.:** **US D569,518 S**

(45) **Date of Patent:** **** May 20, 2008**

(54) **SPHYGMOMANOMETER**

(75) Inventors: **Masashi Kitamura**, Matsusaka (JP);
Tadashi Koike, Kyoto (JP); **Yukiko Mitsunami**, Otsu (JP); **Takahide Tanaka**, Otsu (JP); **Hiroyuki Kato**, Kyoto (JP); **Masayuki Fukutsuka**, Uji (JP); **Takashi Shigeno**, Kawasaki (JP); **Kazuya Andachi**, Kawasaki (JP)

D473,651 S * 4/2003 Inagaki et al. D24/165
D473,945 S 4/2003 Nakanishi et al.
6,547,741 B2 4/2003 Mori et al.
D484,980 S * 1/2004 Hartwein et al. D24/165
D496,103 S * 9/2004 Hartwein D24/165
D496,104 S 9/2004 Eda et al.
D532,518 S 11/2006 Eda et al.
D533,279 S * 12/2006 Kobayashi et al. D24/165
D533,666 S 12/2006 Kobayashi et al.
D537,944 S 3/2007 Eda et al.

(73) Assignee: **Omron Healthcare Co., Ltd.**, Kyoto (JP)

(**) Term: **14 Years**

(21) Appl. No.: **29/287,645**

(22) Filed: **Sep. 4, 2007**

Related U.S. Application Data

(62) Division of application No. 29/277,672, filed on Mar. 6, 2007.

(30) **Foreign Application Priority Data**

Sep. 7, 2006 (JP) D2006-023887
Sep. 7, 2006 (JP) D2006-023888
Sep. 7, 2006 (JP) D2006-023889
Sep. 7, 2006 (JP) D2006-023890
Sep. 7, 2006 (JP) D2006-023891
Sep. 7, 2006 (JP) D2006-023892

(51) **LOC (8) Cl.** **24-02**

(52) **U.S. Cl.** **D24/165**

(58) **Field of Classification Search** D24/165-169,
D24/186; D10/96, 98; 600/480, 485, 500,
600/502, 503, 490-496, 499; 128/900
See application file for complete search history.

(56) **References Cited**

U.S. PATENT DOCUMENTS

D344,338 S 2/1994 Yoshikawa et al.
D373,419 S * 9/1996 Muramatsu et al. D24/165
D407,492 S * 3/1999 Lubs et al. D24/165

FOREIGN PATENT DOCUMENTS

KR 30-0256390 4/2000
KR 30-0348509 3/2004

OTHER PUBLICATIONS

Japanese Office Action dated Feb. 27, 2007.
Japanese Office Action dated Feb. 27, 2007.

* cited by examiner

Primary Examiner—Ian Simmons
Assistant Examiner—Anhdao Doan

(74) *Attorney, Agent, or Firm*—Harness, Dickey & Pierce

(57) **CLAIM**

The ornamental design for a sphygmomanometer, as shown and described.

DESCRIPTION

FIG. 1 is a perspective view of a sphygmomanometer showing our new design;

FIG. 2 is front elevational view thereof;

FIG. 3 is a rear elevational view thereof;

FIG. 4 is a top plan view thereof;

FIG. 5 is a bottom plan view thereof; and,

FIG. 6 is a right side elevational view thereof, the left side being a mirror image thereof.

The broken lines shown in the figures are for illustrative purpose only, and form no part of the claimed design.

1 Claim, 6 Drawing Sheets

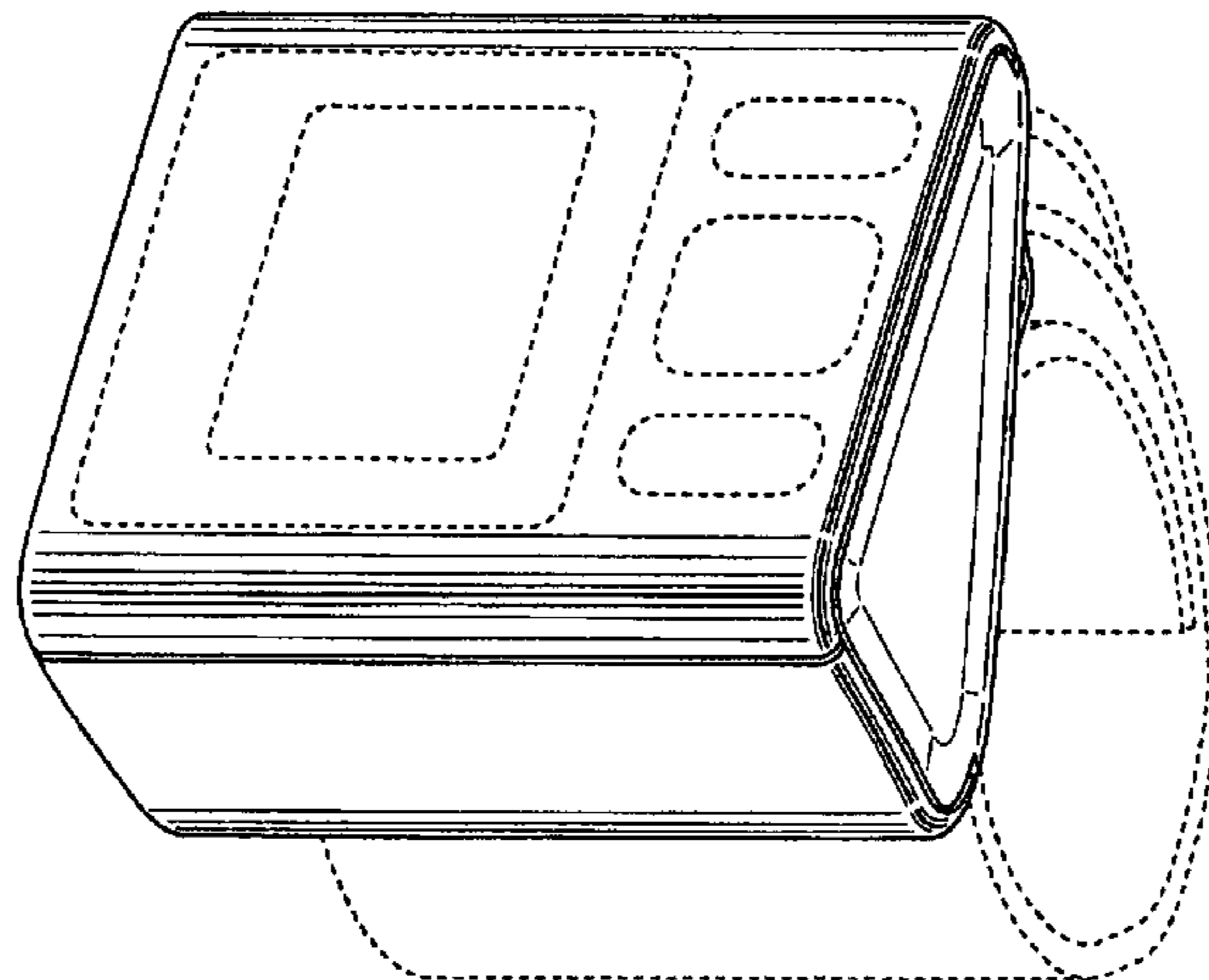


FIG. 1

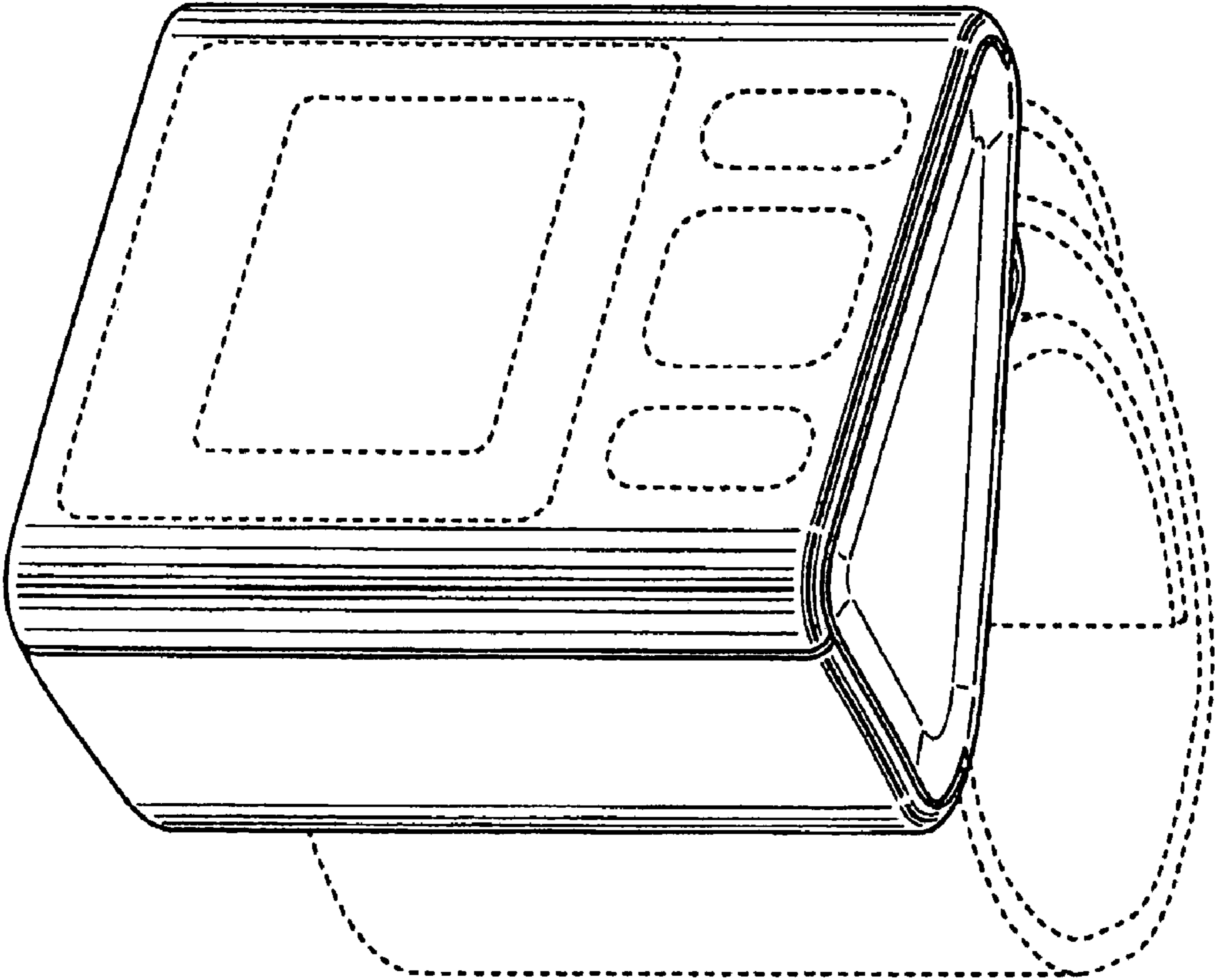


FIG. 2

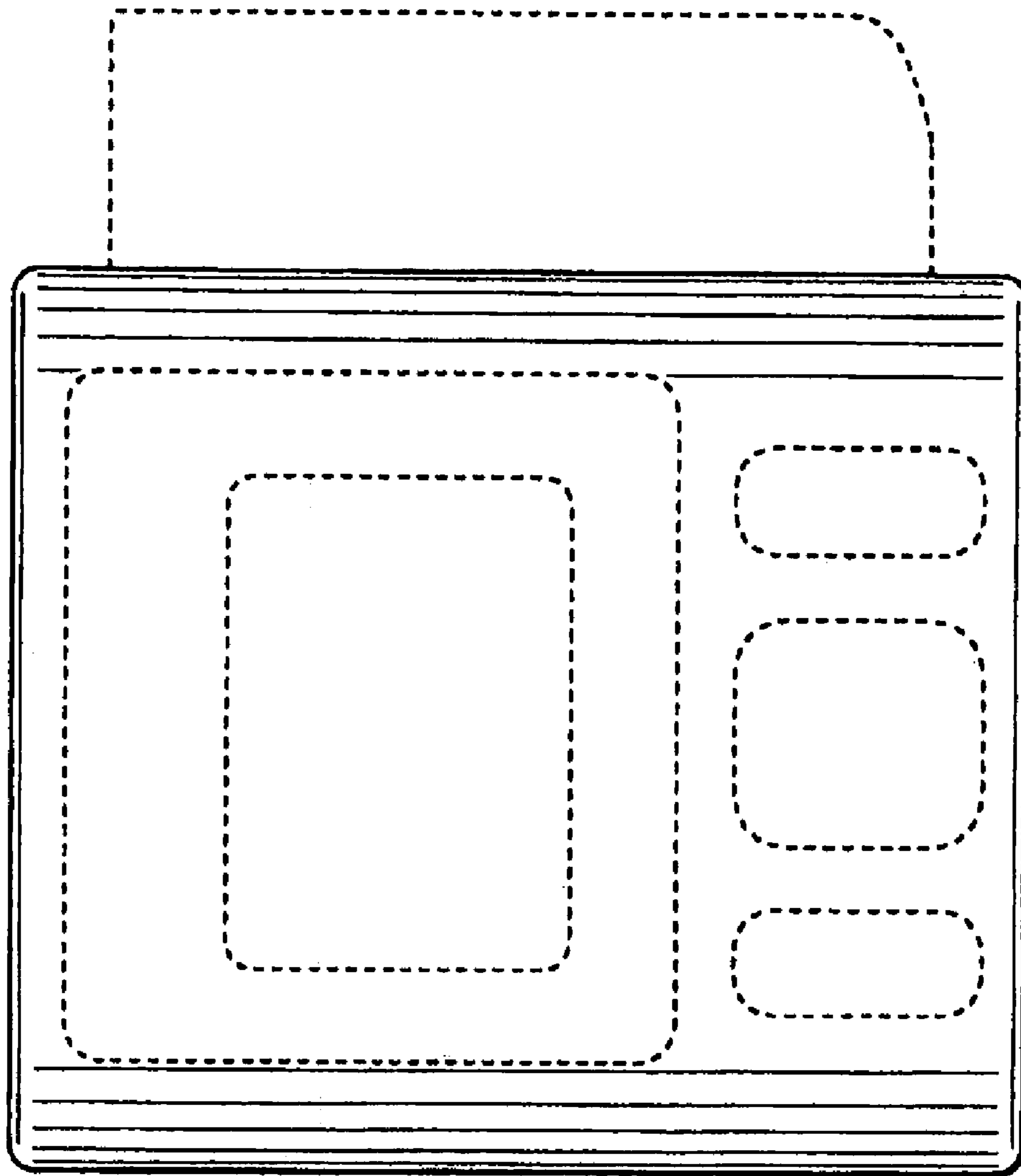


FIG. 3

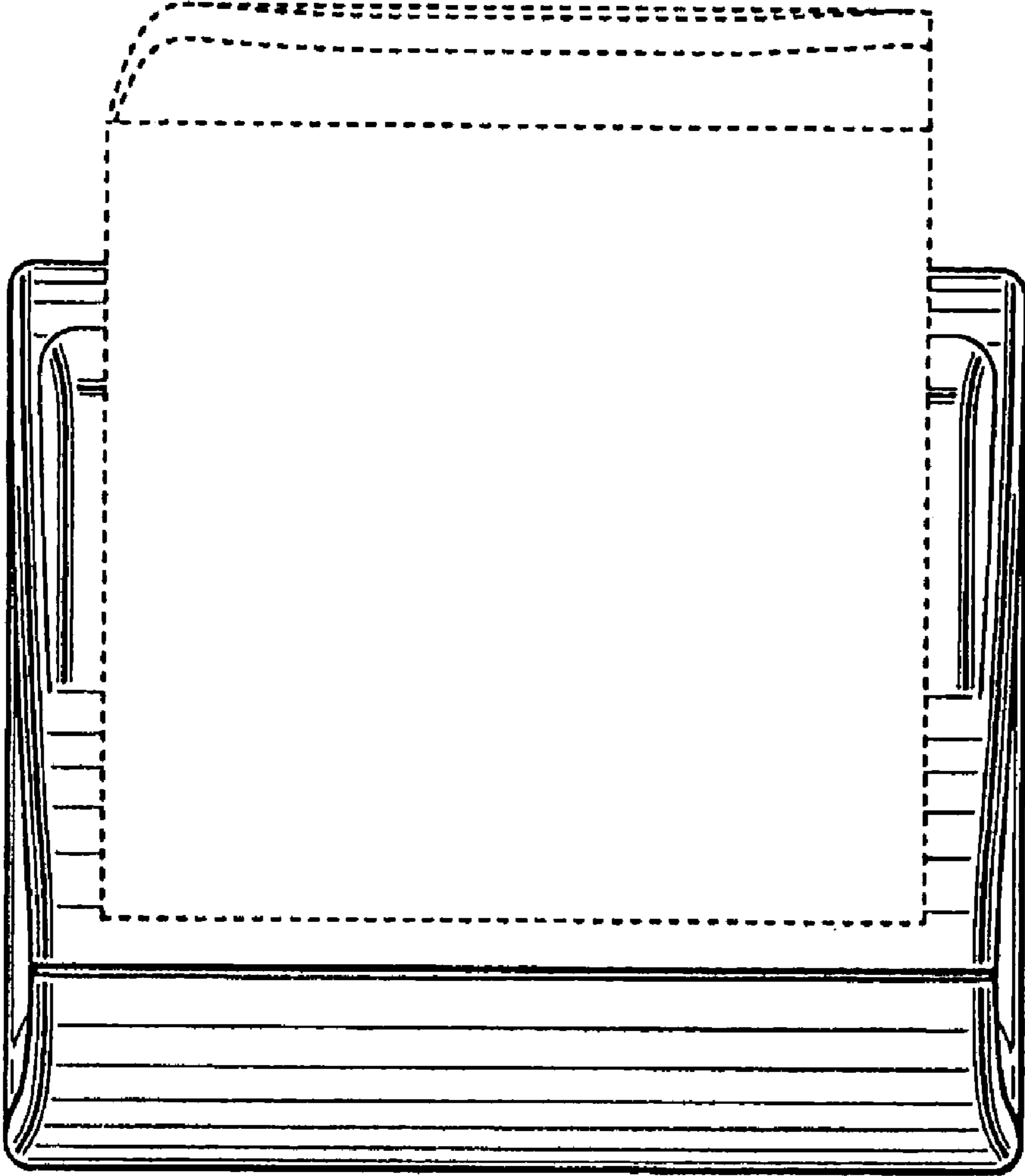


FIG. 4

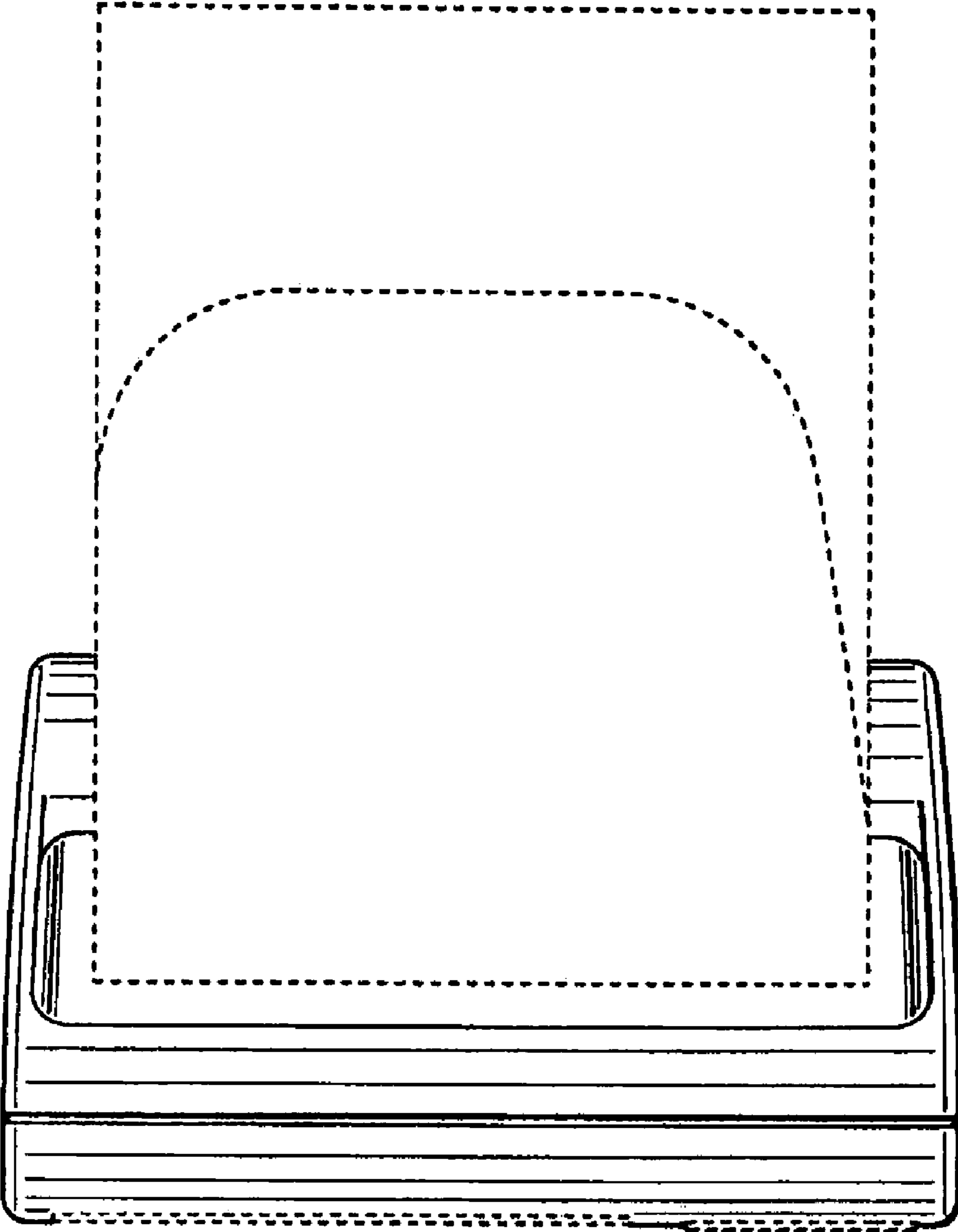


FIG. 5

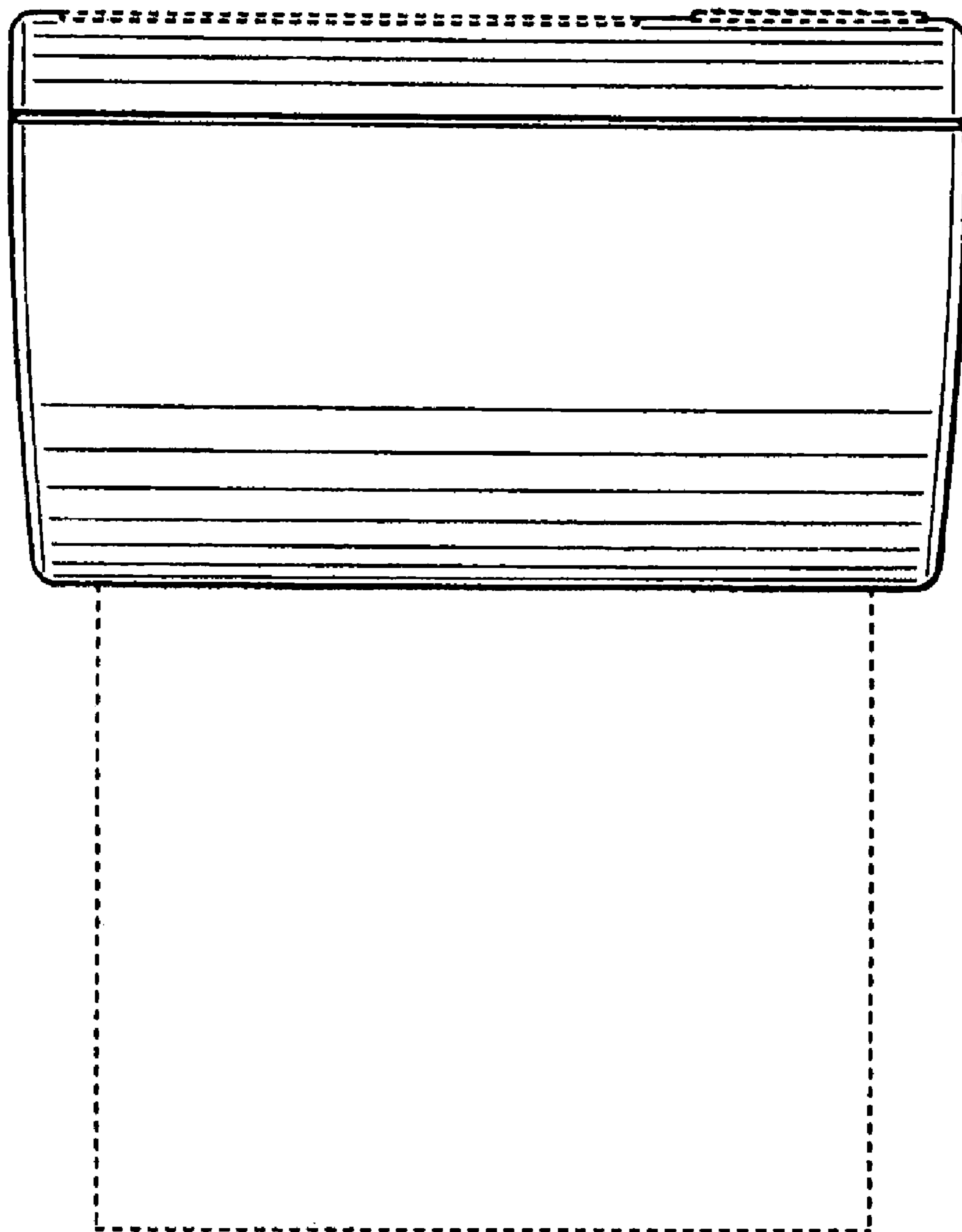


FIG. 6

