



US00D569509S

(12) **United States Design Patent**
Melanson et al.

(10) **Patent No.:** **US D569,509 S**

(45) **Date of Patent:** **** May 20, 2008**

(54) **TRANSGASTRIC ENDOSCOPE**

(75) Inventors: **Jeffrey S. Melanson**, Sturbridge, MA (US); **James P. Barry**, Charlton, MA (US)

(73) Assignee: **Karl Storz GmbH & Co. KG** (DE)

(**) Term: **14 Years**

(21) Appl. No.: **29/280,071**

(22) Filed: **May 15, 2007**

(51) **LOC (8) Cl.** **24-02**

(52) **U.S. Cl.** **D24/133; D24/143**

(58) **Field of Classification Search** D24/133, D24/138, 143, 146, 147; 606/167, 174, 205, 606/564

See application file for complete search history.

(56) **References Cited**

U.S. PATENT DOCUMENTS

- D338,065 S * 8/1993 Rose D24/143
- D354,563 S * 1/1995 Holmes et al. D24/143
- 6,964,662 B2 * 11/2005 Kidooka 606/52

- D545,432 S * 6/2007 Watanabe D24/143
- D549,332 S * 8/2007 Matsumoto et al. D24/138
- D557,415 S * 12/2007 Bacher D24/133

* cited by examiner

Primary Examiner—Ian Simmons

Assistant Examiner—Christopher Lee

(74) *Attorney, Agent, or Firm*—St. Onge Steward Johnston & Reens LLC

(57) **CLAIM**

The ornamental design for a transgastric endoscope, as shown.

DESCRIPTION

FIG. 1 is a front perspective view of a transgastric endoscope in accordance with the new design;

FIG. 2 is a left side view thereof;

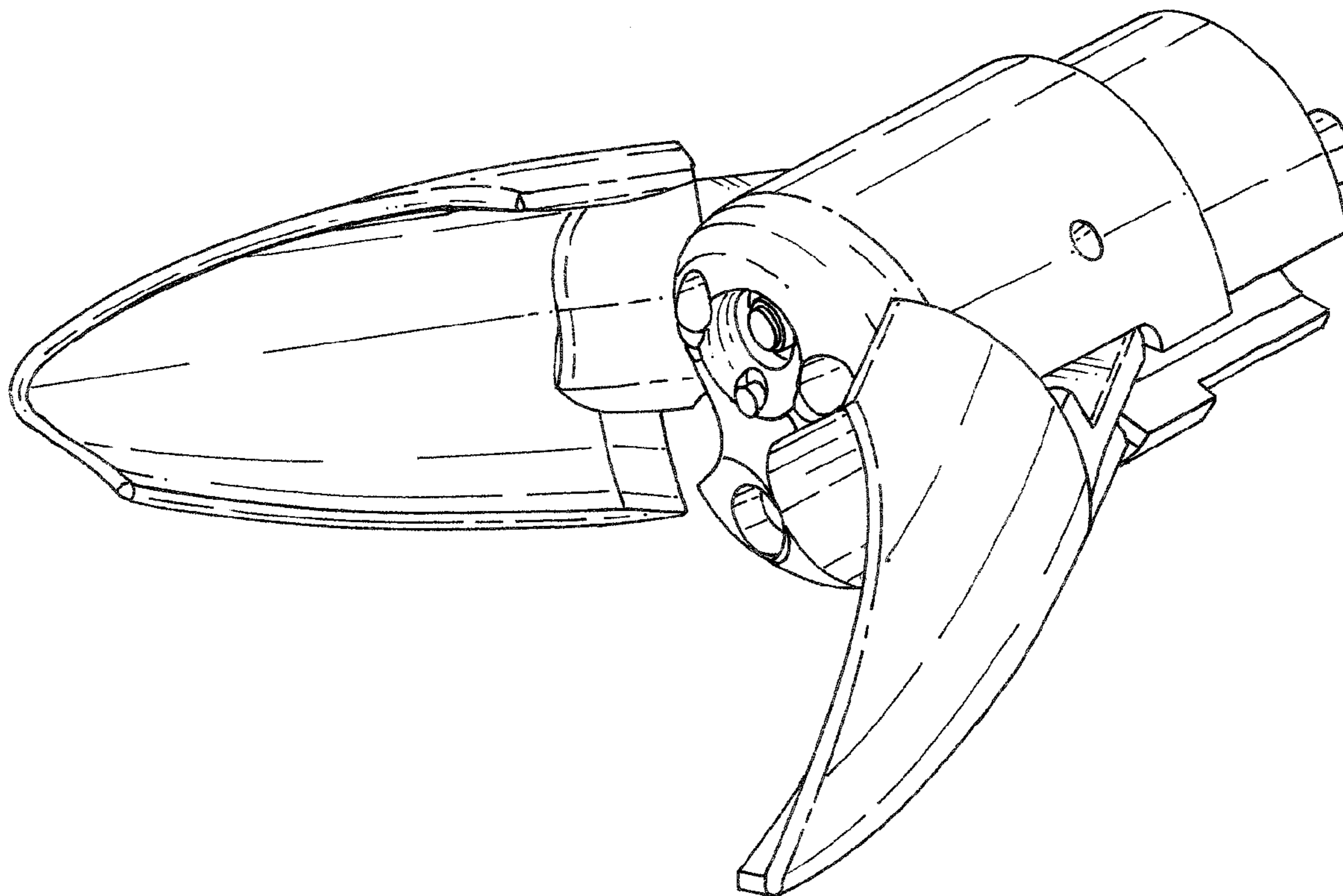
FIG. 3 is a right side view thereof;

FIG. 4 is a front view thereof;

FIG. 5 is a top view thereof; and,

FIG. 6 is a bottom view thereof.

1 Claim, 6 Drawing Sheets



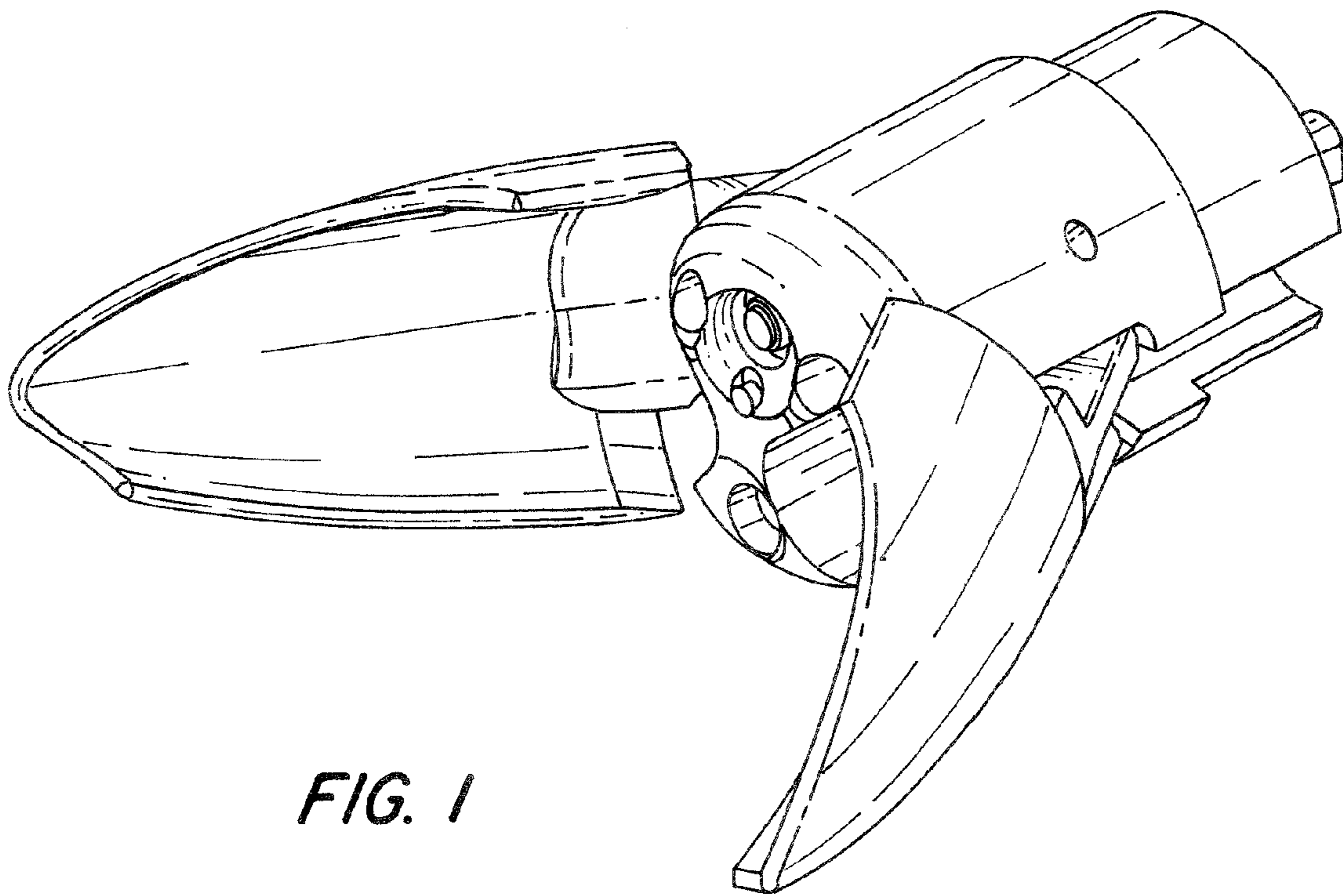


FIG. 1

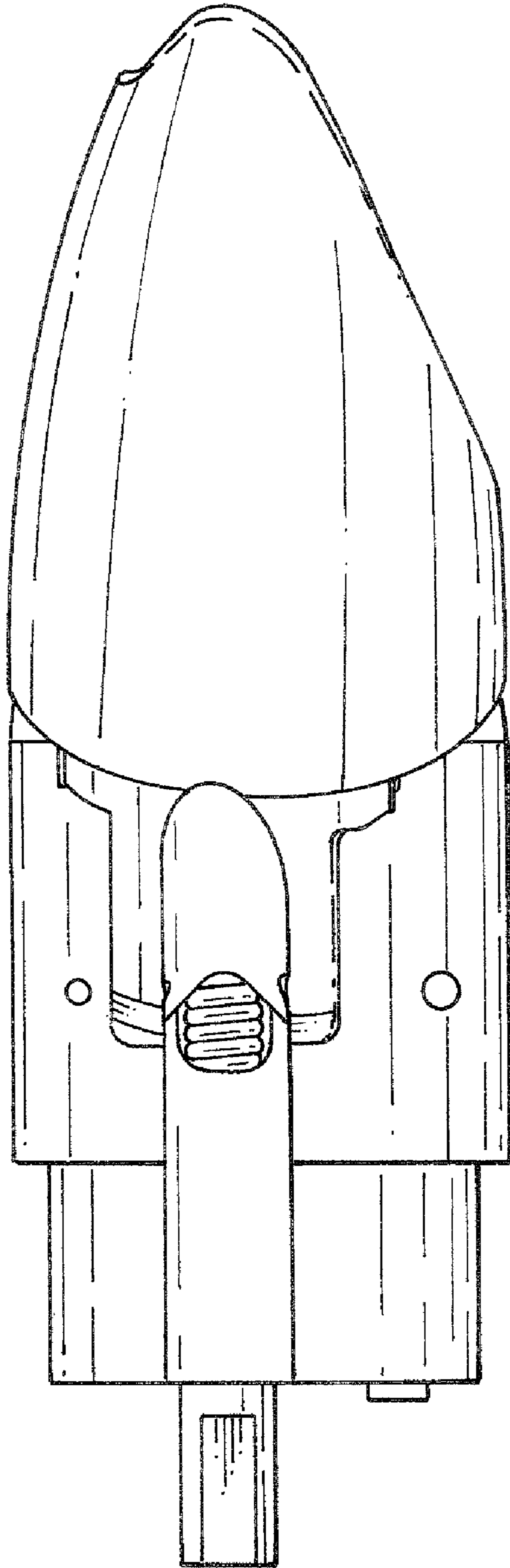


FIG. 2

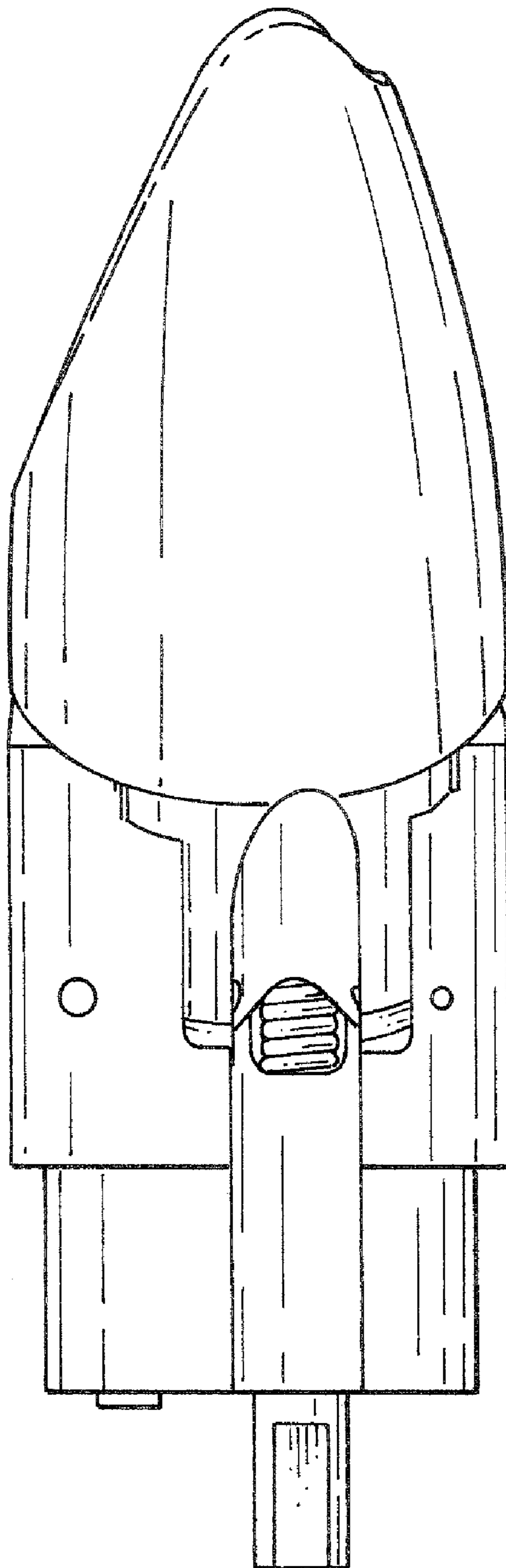


FIG. 3

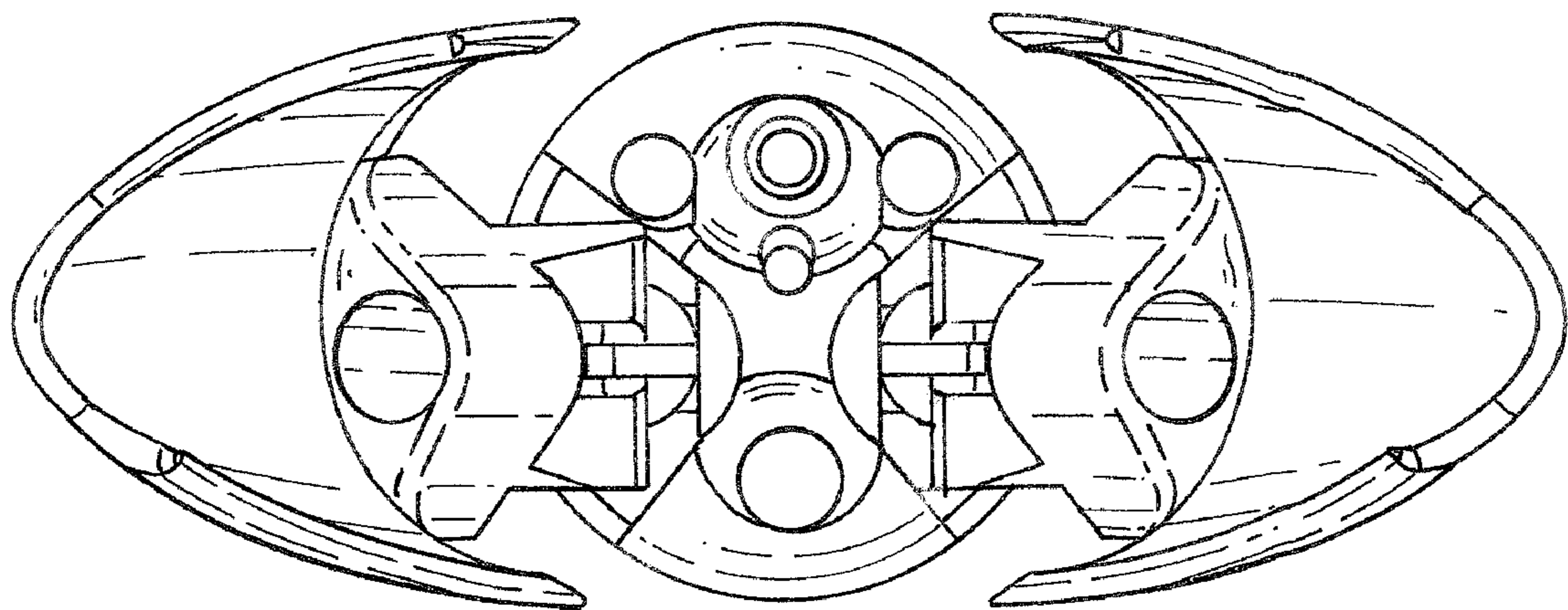


FIG. 4

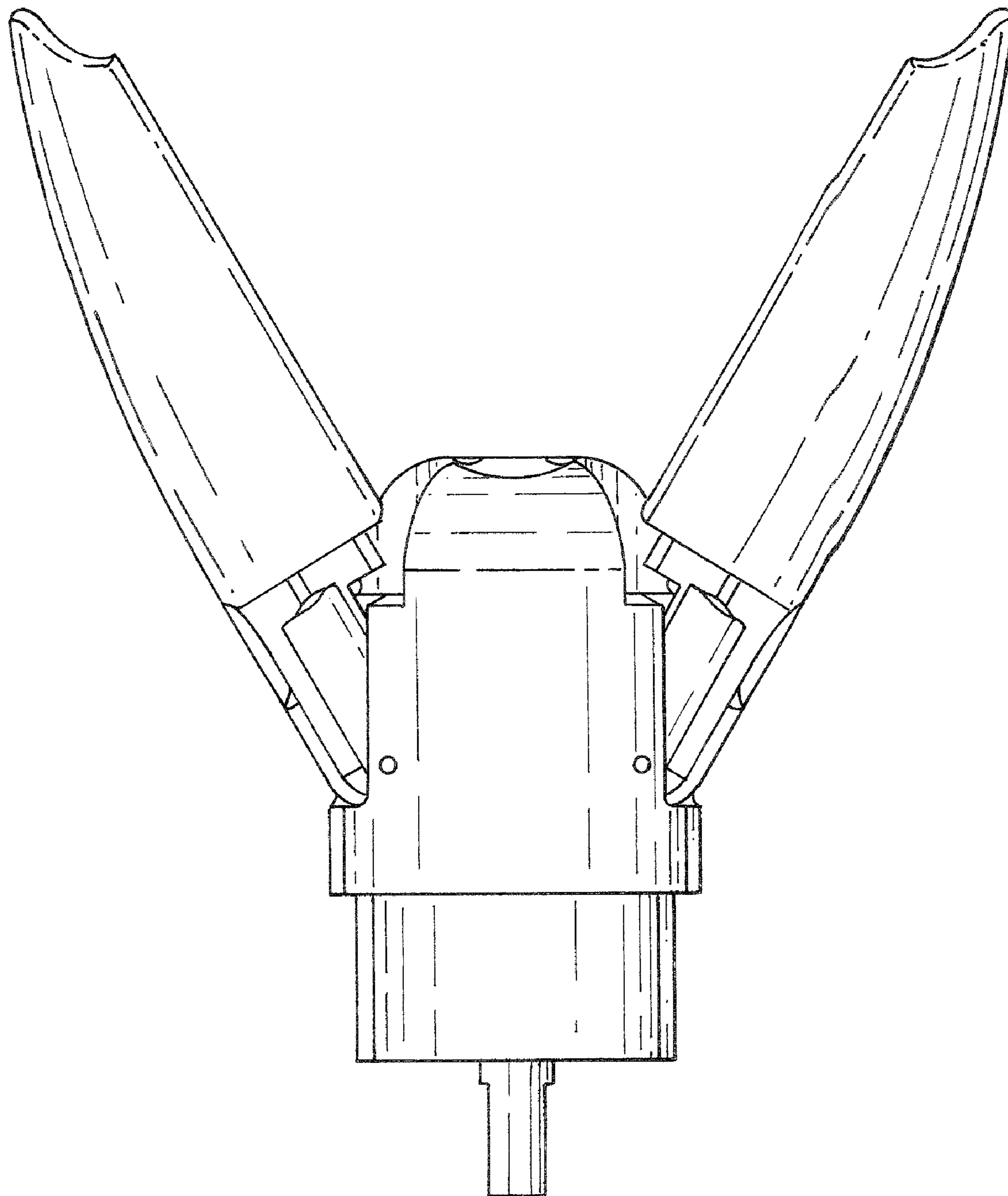


FIG. 5

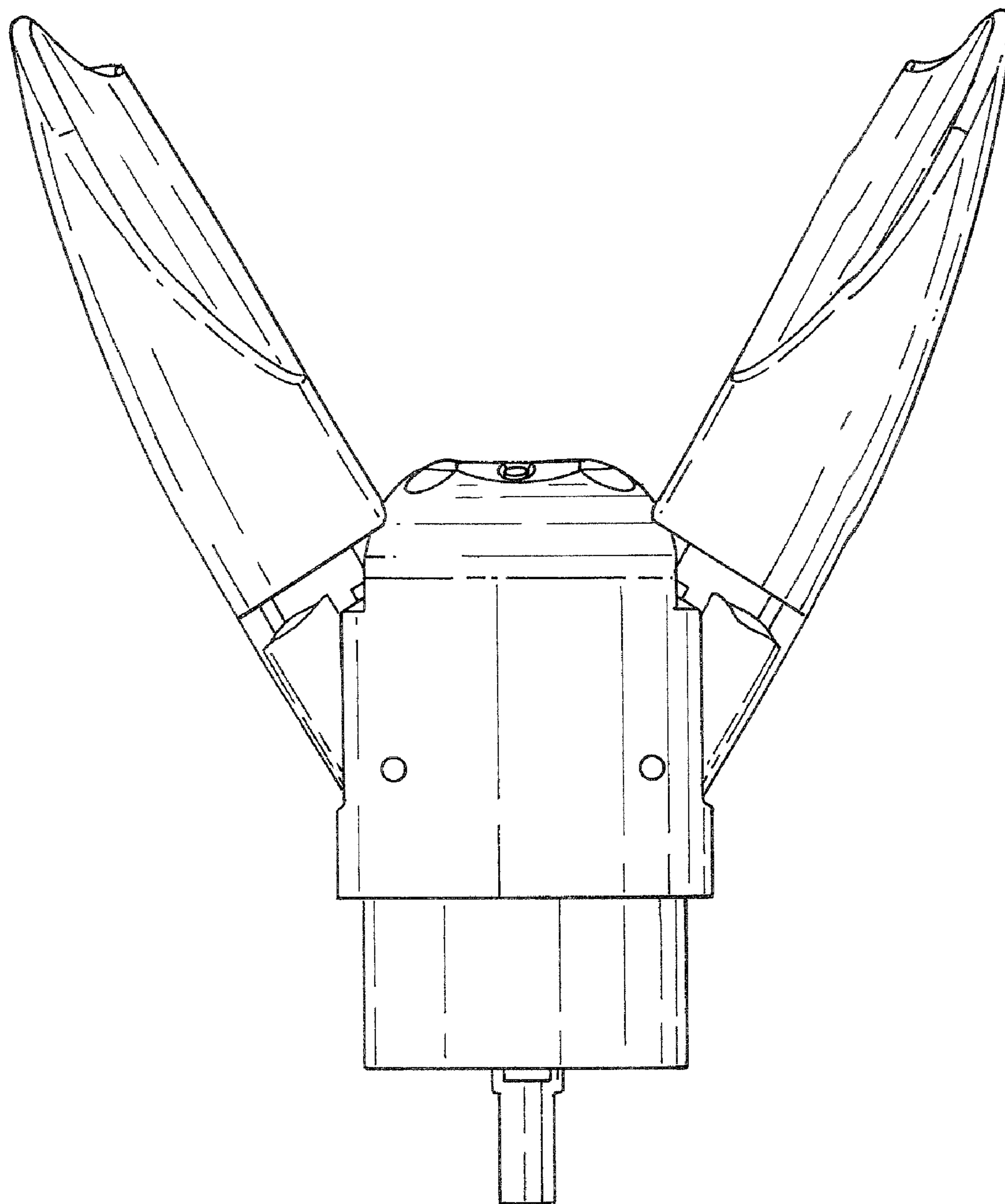


FIG. 6