

US00D569507S

(12) **United States Design Patent**
Blanchard

(10) **Patent No.:** **US D569,507 S**

(45) **Date of Patent:** **** May 20, 2008**

(54) **LUER HUB CONNECTOR**

(75) Inventor: **Daniel B. Blanchard**, Bountiful, UT (US)

(73) Assignee: **C.R. Bard, Inc.**, Murray Hill, NJ (US)

(**) Term: **14 Years**

(21) Appl. No.: **29/278,769**

(22) Filed: **Apr. 9, 2007**

(51) **LOC (8) Cl.** **24-01**

(52) **U.S. Cl.** **D24/130**

(58) **Field of Classification Search** D24/129,
D24/130; 604/281–282, 283, 240, 243, 266,
604/280, 905

See application file for complete search history.

(56) **References Cited**

U.S. PATENT DOCUMENTS

D303,013	S	*	8/1989	Konopka	D24/129
5,234,417	A	*	8/1993	Parks et al.	604/533
D384,740	S	*	10/1997	Musgrave et al.	D24/112
6,814,077	B1	*	11/2004	Eistert	128/207.14
6,827,703	B1	*	12/2004	Ackerman	604/96.01
D544,600	S		6/2007	Wentling		
D547,446	S	*	7/2007	Racz et al.	D24/129
D550,355	S	*	9/2007	Racz et al.	D24/129
D557,414	S		12/2007	Wentling		
2002/0111602	A1	*	8/2002	Ackerman et al.	604/523
2004/0002680	A1	*	1/2004	Ackerman et al.	604/96.01
2004/0225257	A1	*	11/2004	Ackerman	604/96.01

2005/0166924 A1* 8/2005 Thomas et al. 128/207.14

OTHER PUBLICATIONS

U.S. Appl. No. 29/278,777, filed Apr. 9, 2007, titled LUER HUB CONNECTOR, listing Daniel B. Blanchard and Bryan Wright as inventors.

* cited by examiner

Primary Examiner—Louis S. Zarfes

Assistant Examiner—Eric L Goodman

(74) *Attorney, Agent, or Firm*—Stoel Rives LLP

(57) **CLAIM**

The ornamental design for a luer hub connector, substantially as shown and described.

DESCRIPTION

FIG. 1 is an upper perspective view of a luer hub connector; FIG. 2 is a lower perspective view of the luer hub connector of FIG. 1;

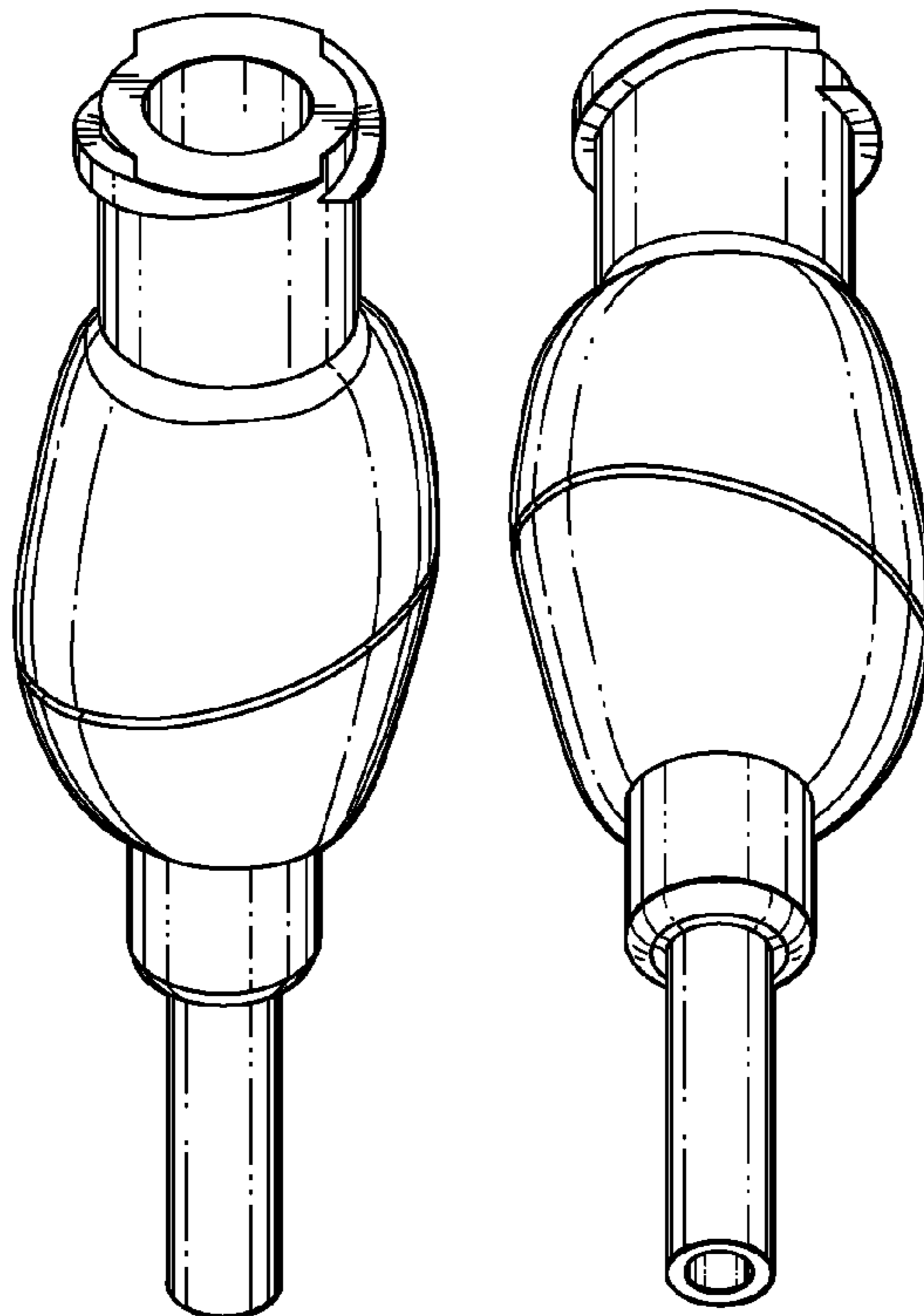
FIG. 3 is a side elevation view of the luer hub connector of FIG. 1;

FIG. 4 is another side elevation view of the luer hub connector of FIG. 1, rotated by ninety degrees with respect to the view of FIG. 3;

FIG. 5 is a top end plan view of the luer hub connector of FIG. 1; and,

FIG. 6 is a bottom end plan view of the luer hub connector of FIG. 1.

1 Claim, 2 Drawing Sheets



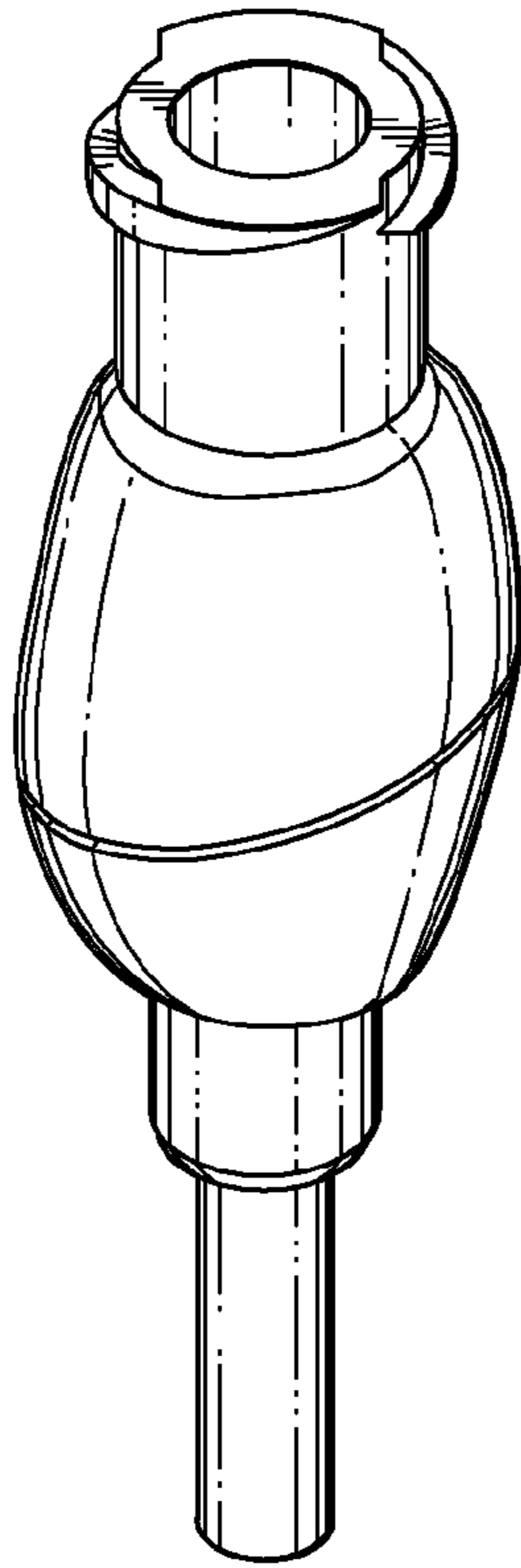


FIG. 1

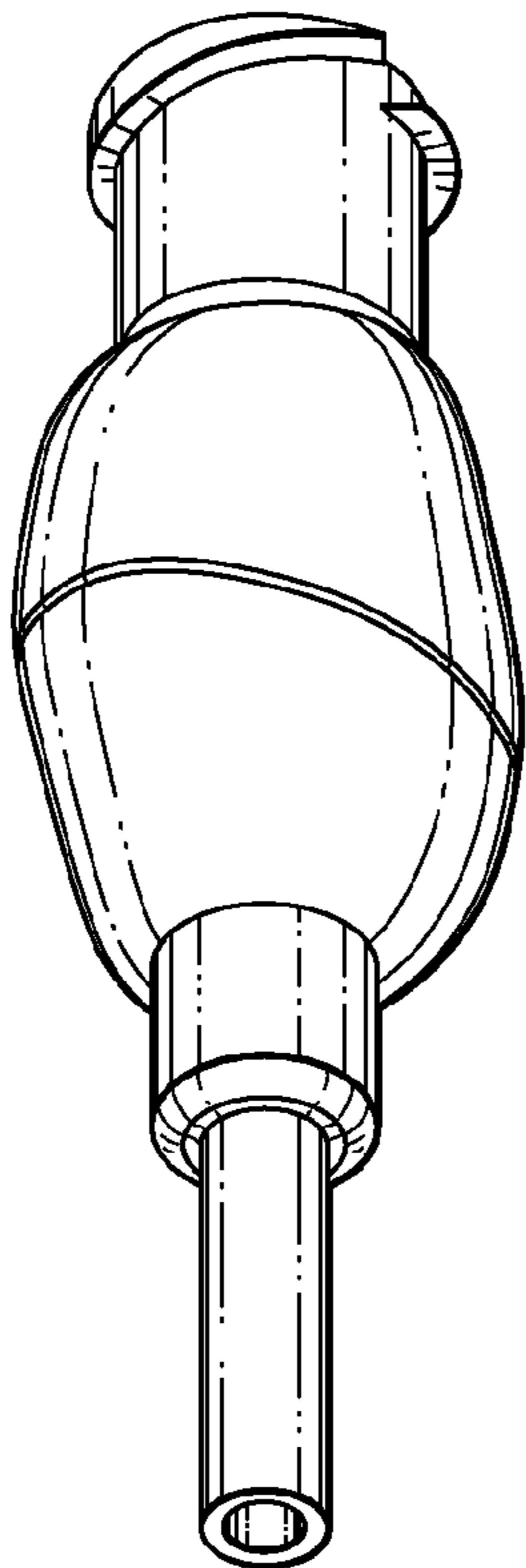


FIG. 2

FIG. 5

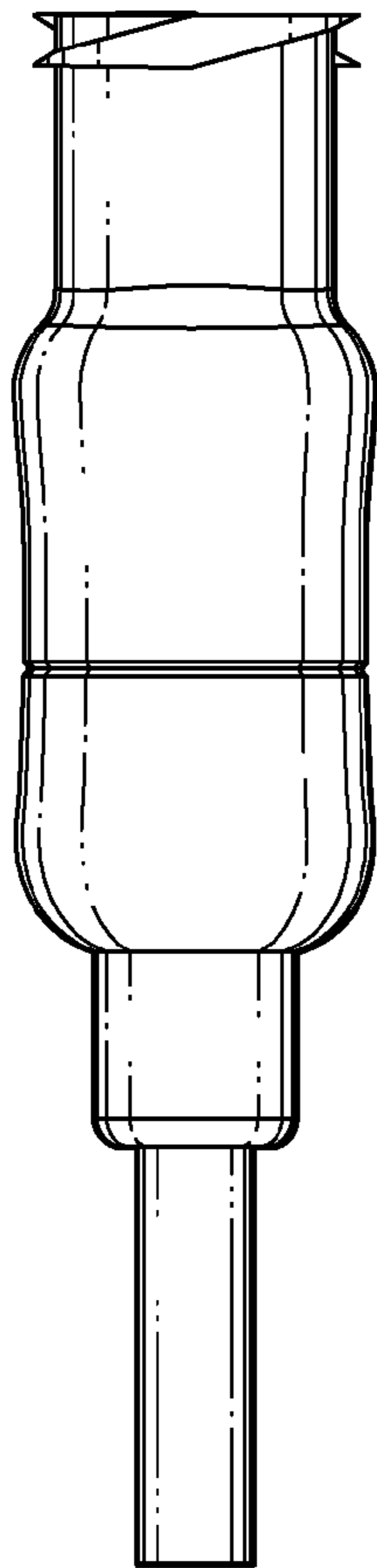
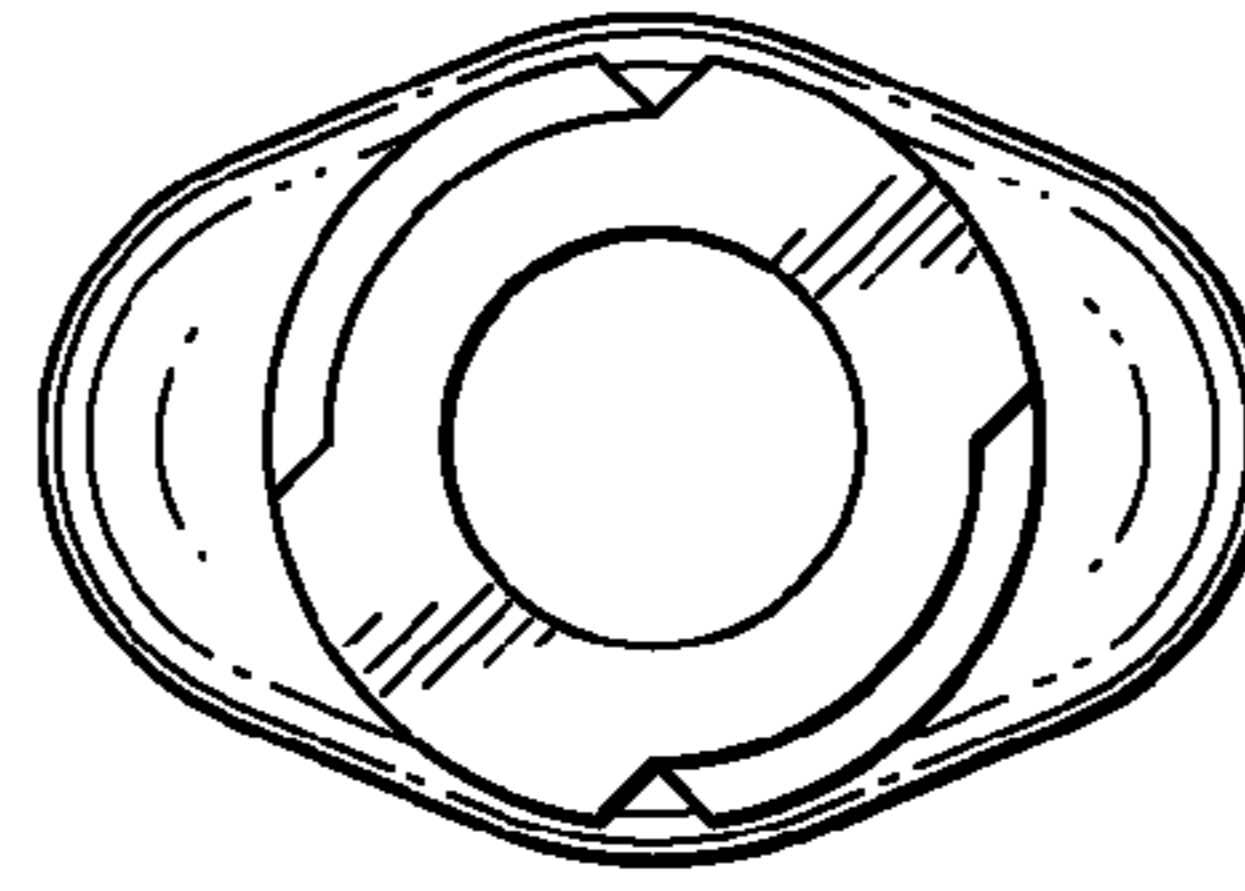


FIG. 4

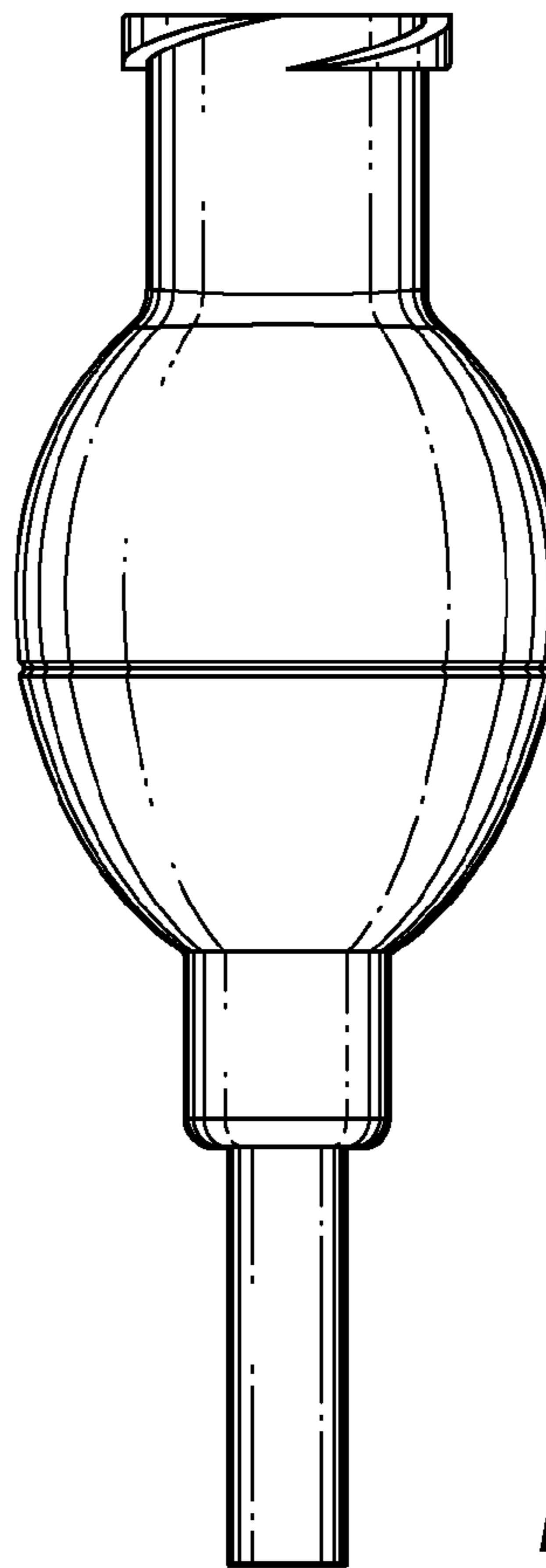


FIG. 3

FIG. 6

