

US00D569503S

(12) **United States Design Patent**
Abel et al.

(10) **Patent No.:** **US D569,503 S**

(45) **Date of Patent:** **** May 20, 2008**

(54) **EXHALE VALVE COVER**

(75) Inventors: **Nathan A. Abel**, White Bear Lake, MN (US); **James R. Betz**, Hudson, WI (US); **Sean M. Burke**, St. Paul, MN (US); **Michael J. Lynch**, Hudson, WI (US); **Matthew D. Reier**, St. Paul, MN (US); **Andrew S. Viner**, Roseville, MN (US)

(73) Assignee: **3M Innovative Properties Company**, St. Paul, MN (US)

(**) Term: **14 Years**

(21) Appl. No.: **29/282,500**

(22) Filed: **Jul. 23, 2007**

(51) **LOC (8) Cl.** **29-02**

(52) **U.S. Cl.** **D24/110.6; D24/110.1; D24/110.2**

(58) **Field of Classification Search** D24/110.1, D24/110.2, 110.3, 110.4, 110.6; 128/201.24, 128/201.25, 205.29, 204.17, 205.25, 206.21, 128/207.11

See application file for complete search history.

(56) **References Cited**

U.S. PATENT DOCUMENTS

D336,546 S * 6/1993 Lybrand D24/110.2

5,224,474 A * 7/1993 Bloomfield 128/201.19
D378,610 S * 3/1997 Reischel et al. D24/110.2
5,924,420 A * 7/1999 Reischel et al. 128/206.21
D421,118 S 2/2000 Reischel et al.
D542,407 S * 5/2007 Stallard et al. D24/110.1

* cited by examiner

Primary Examiner—Ian Simmons

Assistant Examiner—Christopher Lee

(74) *Attorney, Agent, or Firm*—Jeffrey M. Olofson

(57) **CLAIM**

The ornamental design for an exhale valve cover, as shown and described.

DESCRIPTION

FIG. 1 is a perspective view showing the new design for an exhale valve cover;

FIG. 2 is a front view thereof;

FIG. 3 is a left side view thereof;

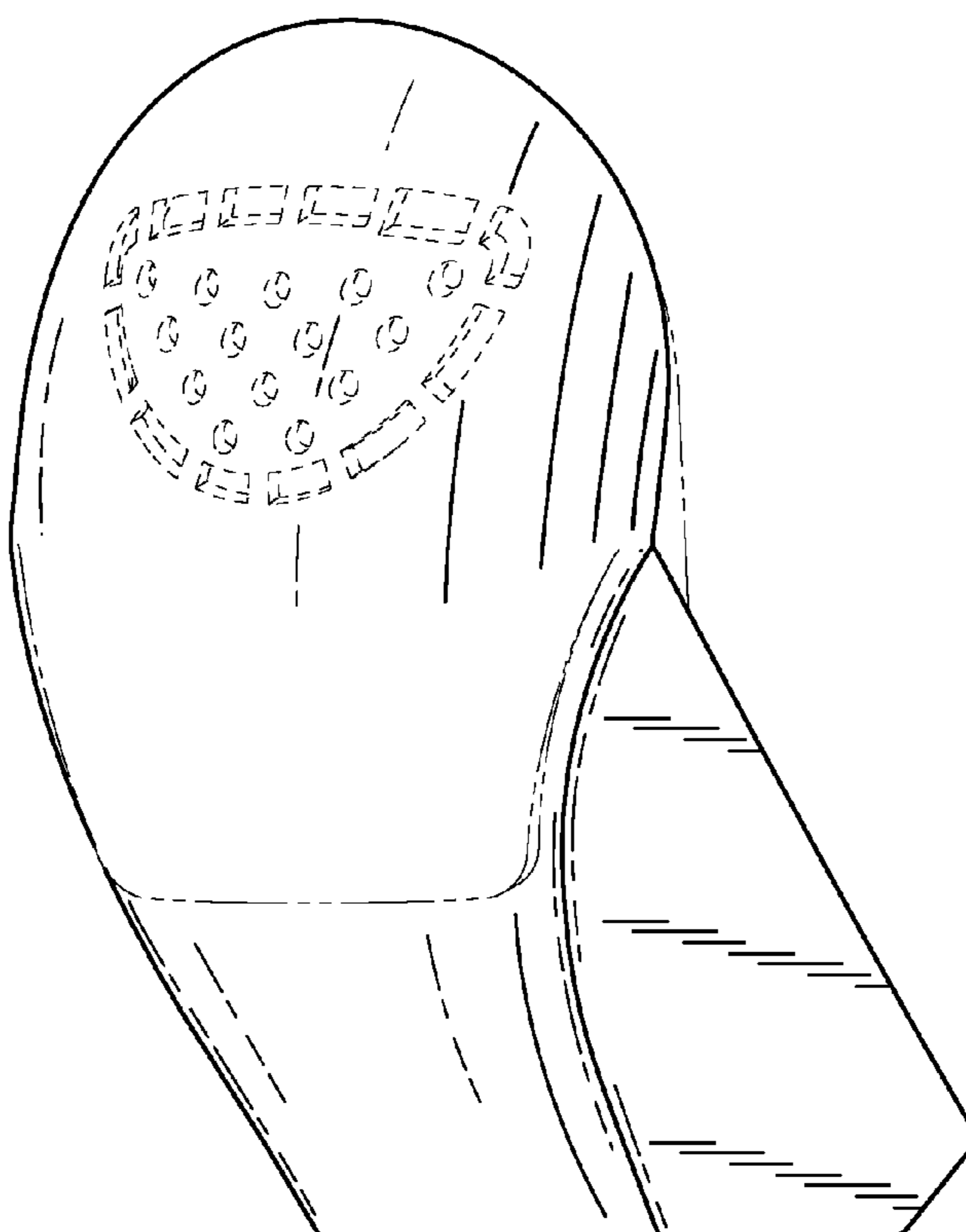
FIG. 4 is a back side view thereof;

FIG. 5 is a bottom view thereof; and,

FIG. 6 is a top view thereof.

The broken lines form no part of the claimed design, and the shading is provided only to illustrate contour, it is not to indicate any particular texture.

1 Claim, 3 Drawing Sheets



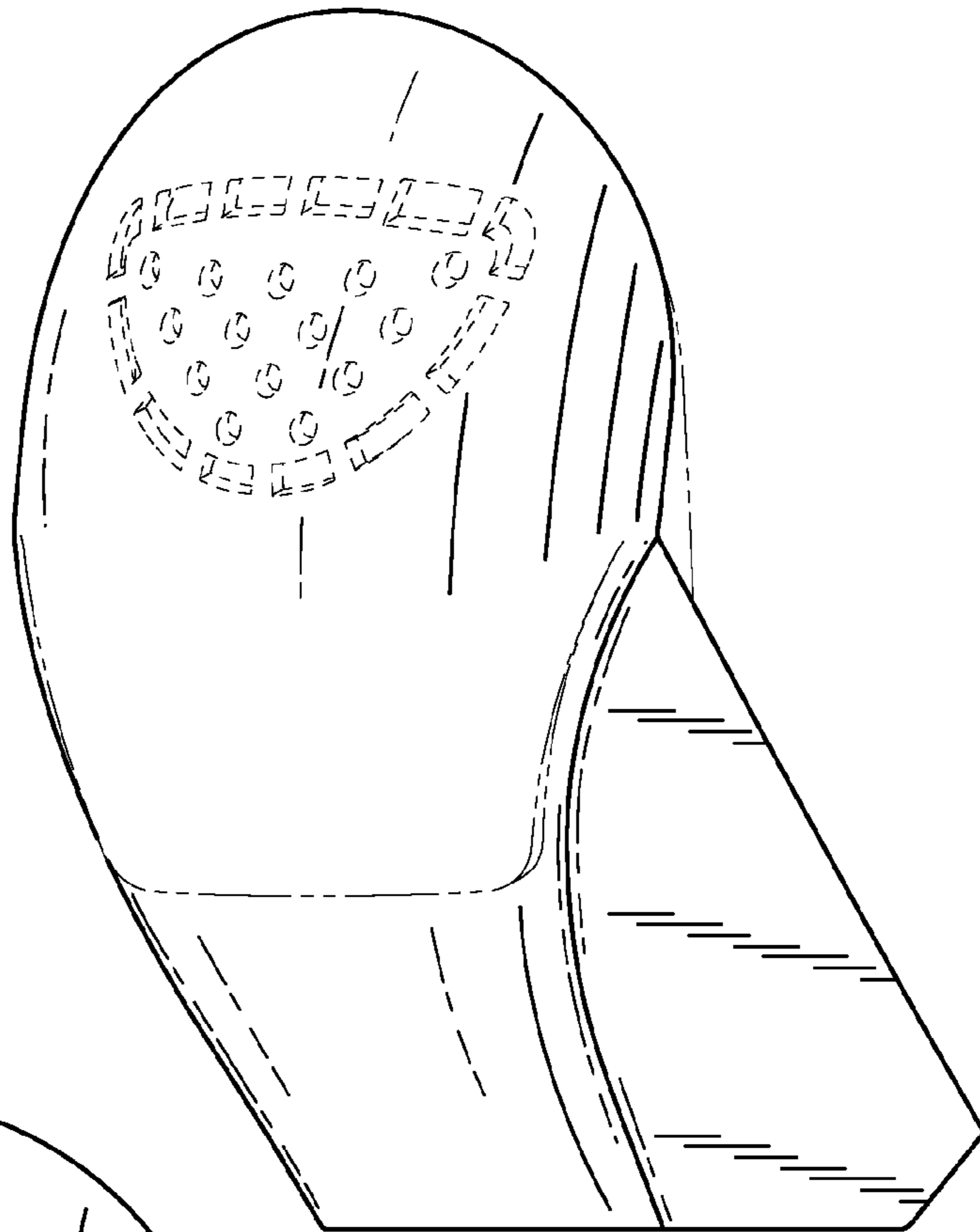


Fig. 1

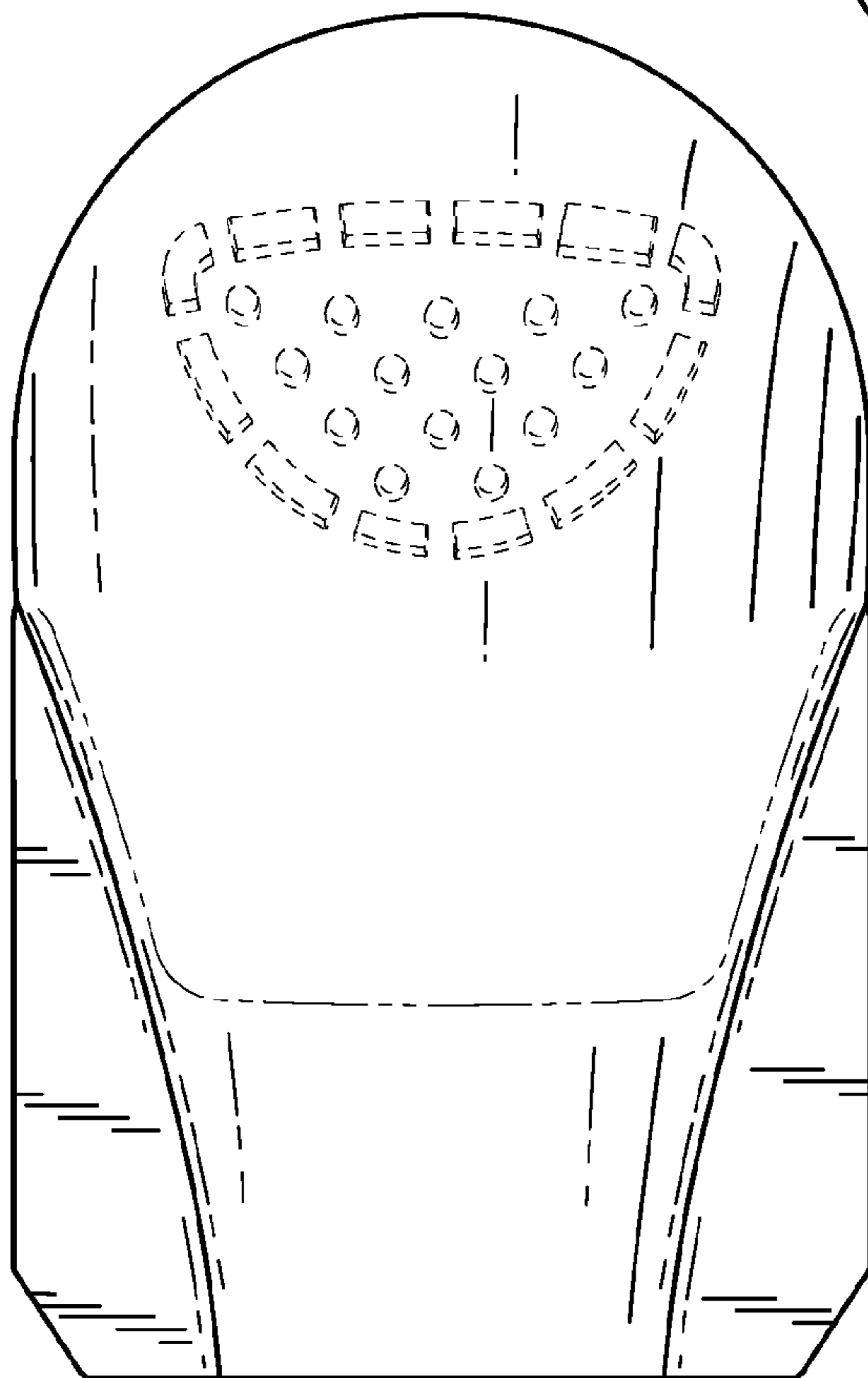


Fig. 2

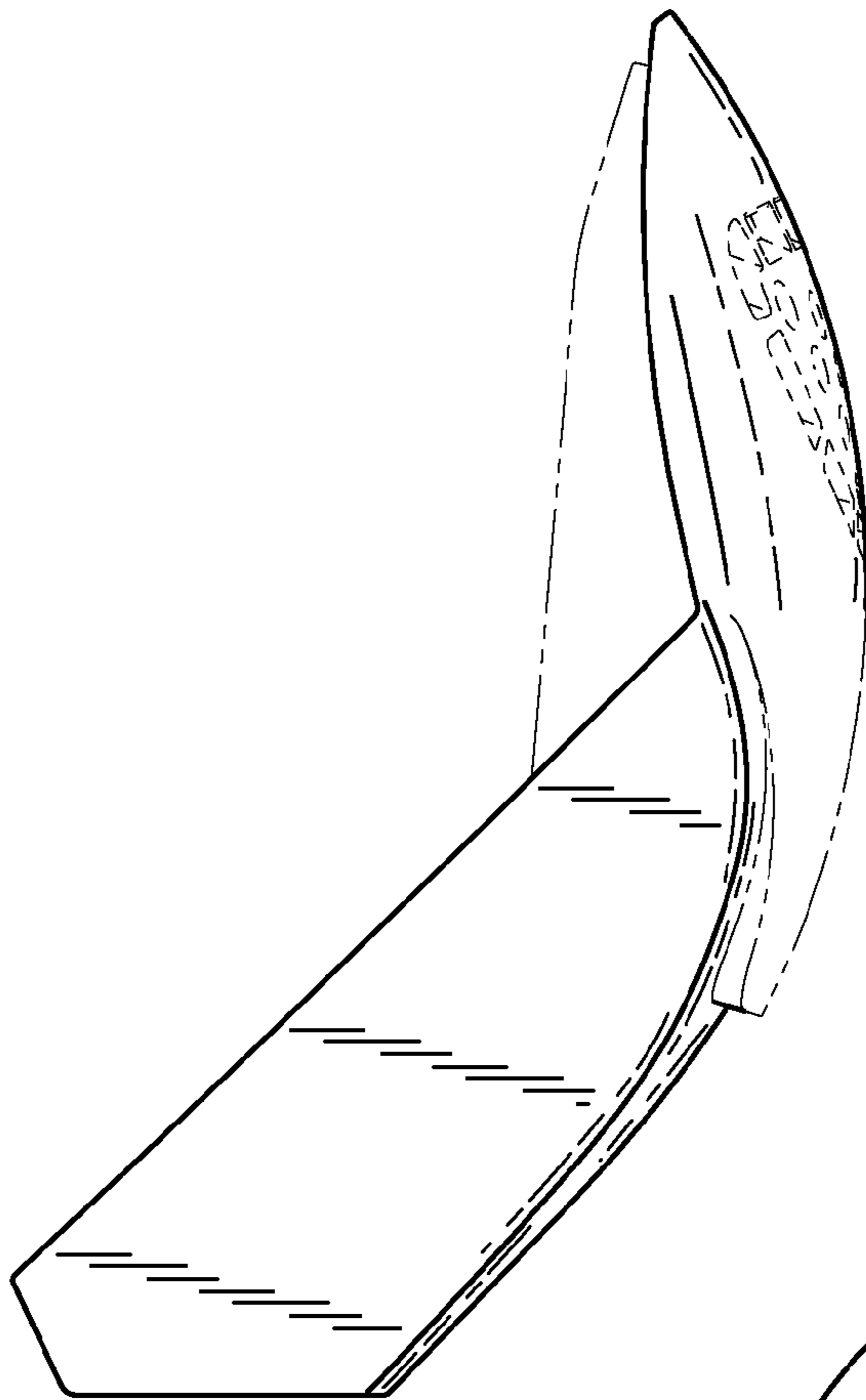


Fig. 3

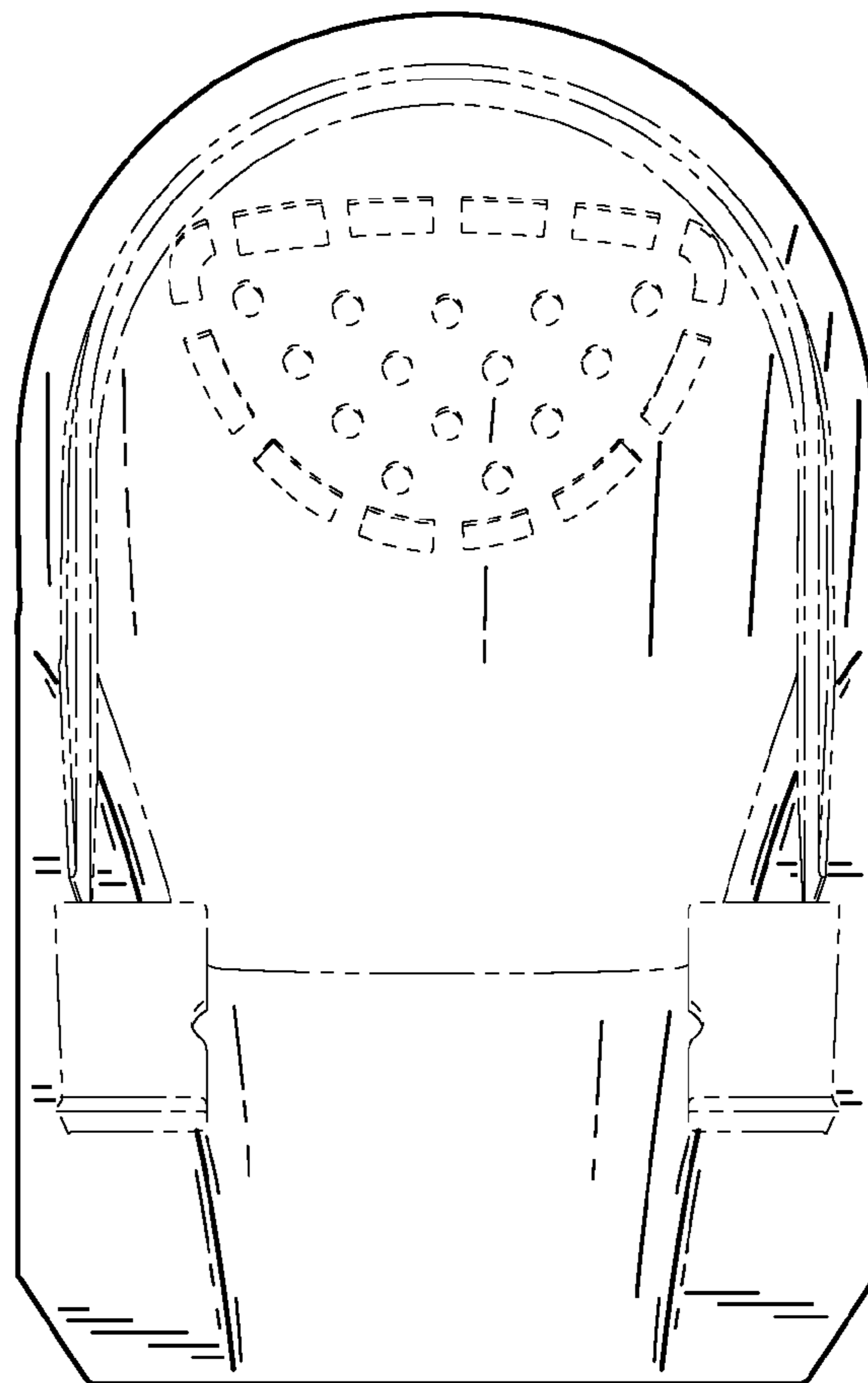


Fig. 4

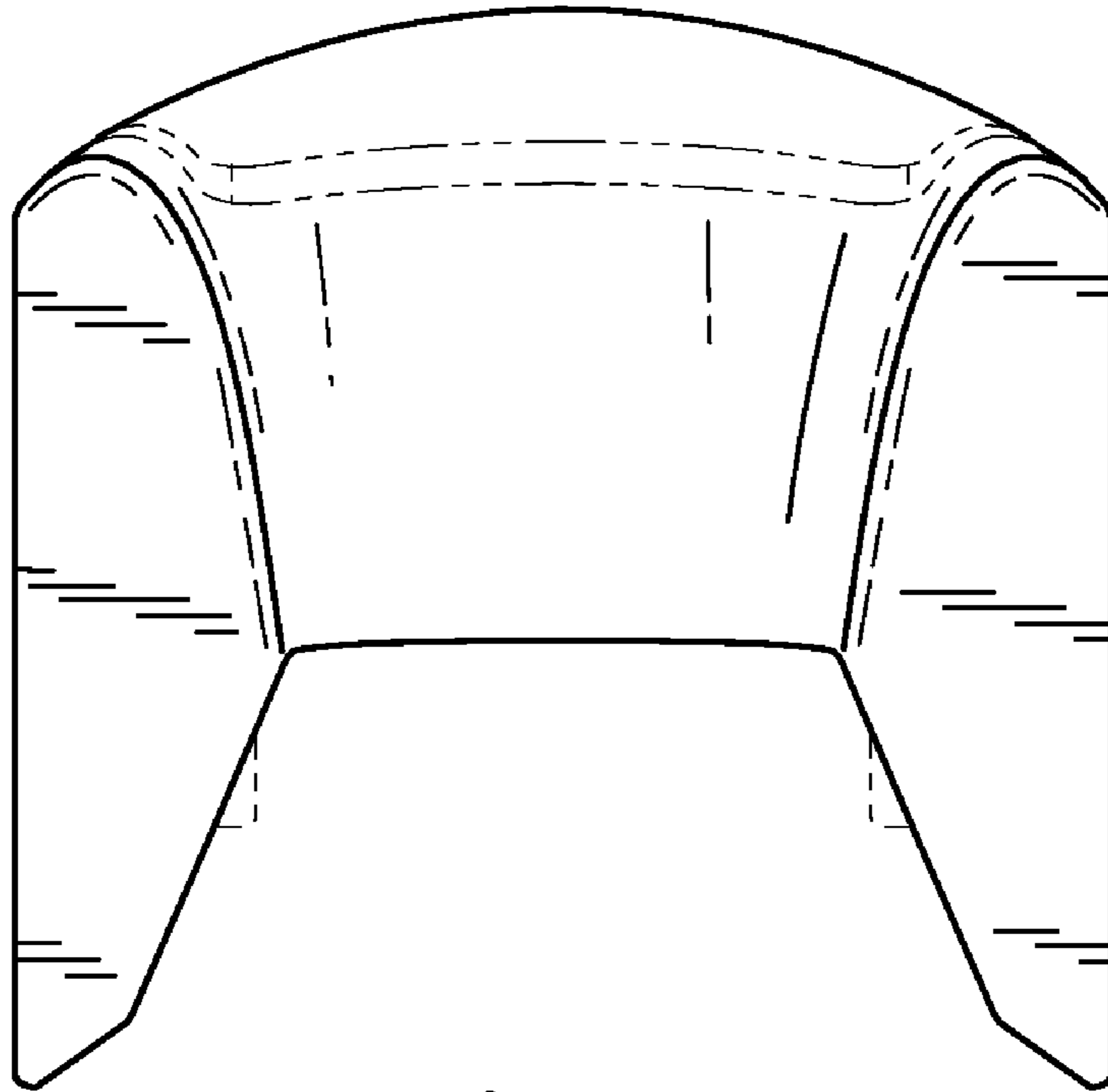


Fig. 5

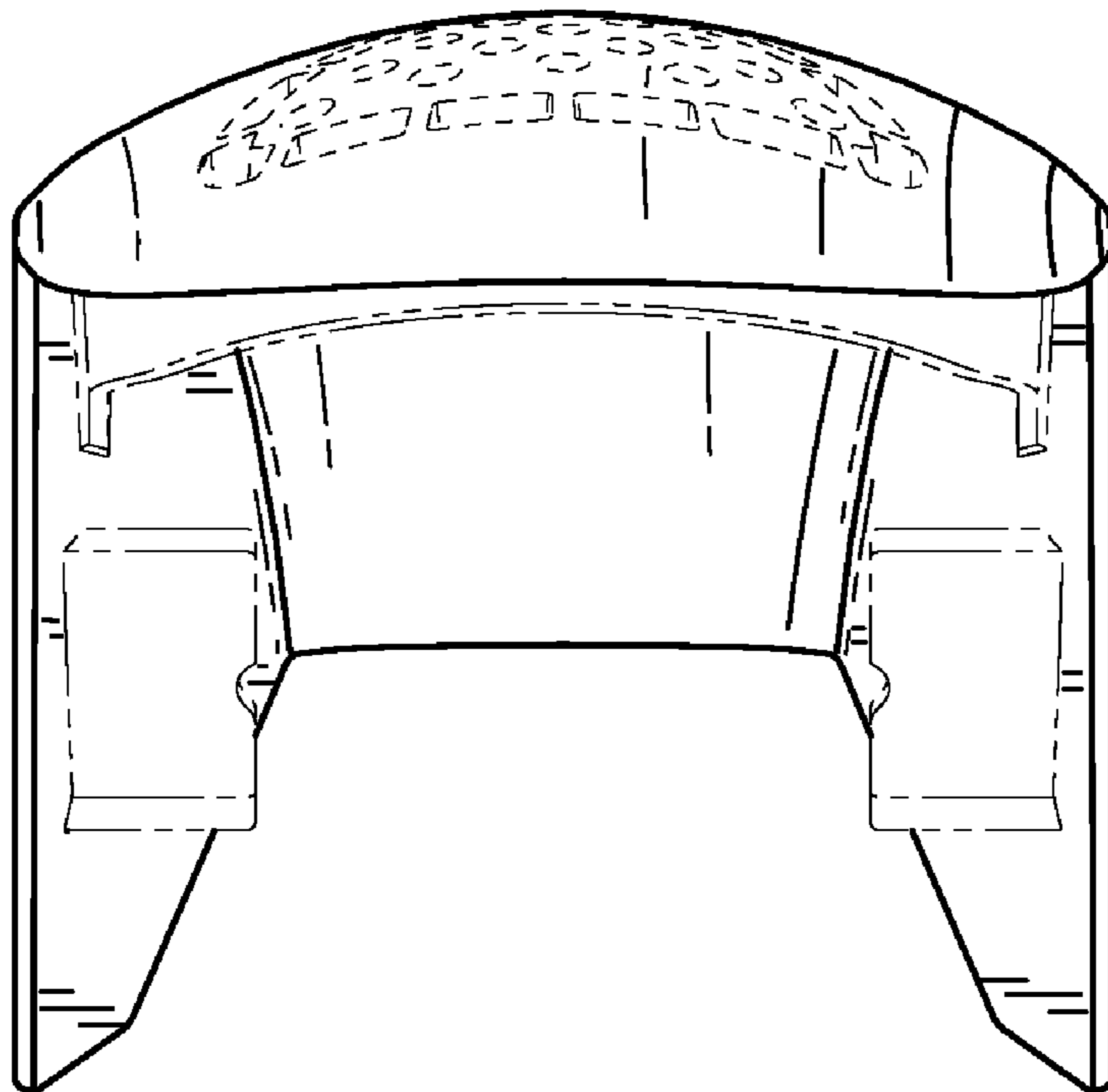


Fig. 6