



US00D569501S

(12) **United States Design Patent**  
**Berg**

(10) **Patent No.:** **US D569,501 S**

(45) **Date of Patent:** **\*\* May 20, 2008**

(54) **ATTACHMENT FOR SCAVENGING ESCAPE  
GAS FROM A NASAL MASK**

D529,606 S \* 10/2006 Hind et al. .... D24/110.3  
2006/0076013 A1\* 4/2006 Berg ..... 128/203.12

(76) Inventor: **Hakan Berg**, Kungsporsavenyn 30,  
Göteborg (SE) 41266

\* cited by examiner

(\*\*) Term: **14 Years**

*Primary Examiner*—Ian Simmons  
*Assistant Examiner*—Christopher Lee  
(74) *Attorney, Agent, or Firm*—Nixon & Vanderhye, PC

(21) Appl. No.: **29/287,076**

(22) Filed: **Jun. 25, 2007**

(57) **CLAIM**

(30) **Foreign Application Priority Data**

The ornamental design for an “attachment for scavenging  
escape gas from a nasal mask,” as shown and described.

Mar. 23, 2007 (EM) ..... 000695184

**DESCRIPTION**

(51) **LOC (8) Cl.** ..... **29-02**

FIG. 1 is a perspective view of the nasal mask attachment in  
accordance with my new design;

(52) **U.S. Cl.** ..... **D24/110.4;** D24/110.5;  
D24/110.6

FIG. 2 is a front view thereof;

(58) **Field of Classification Search** ..... D24/110,  
D24/110.1–110.6; 128/207.11, 206.27, 202.27,  
128/204.11, 205.25, 207.18

FIG. 3 is a rear view thereof;

See application file for complete search history.

FIG. 4 is a right side elevation thereof;

FIG. 5 is a left side elevation thereof;

(56) **References Cited**

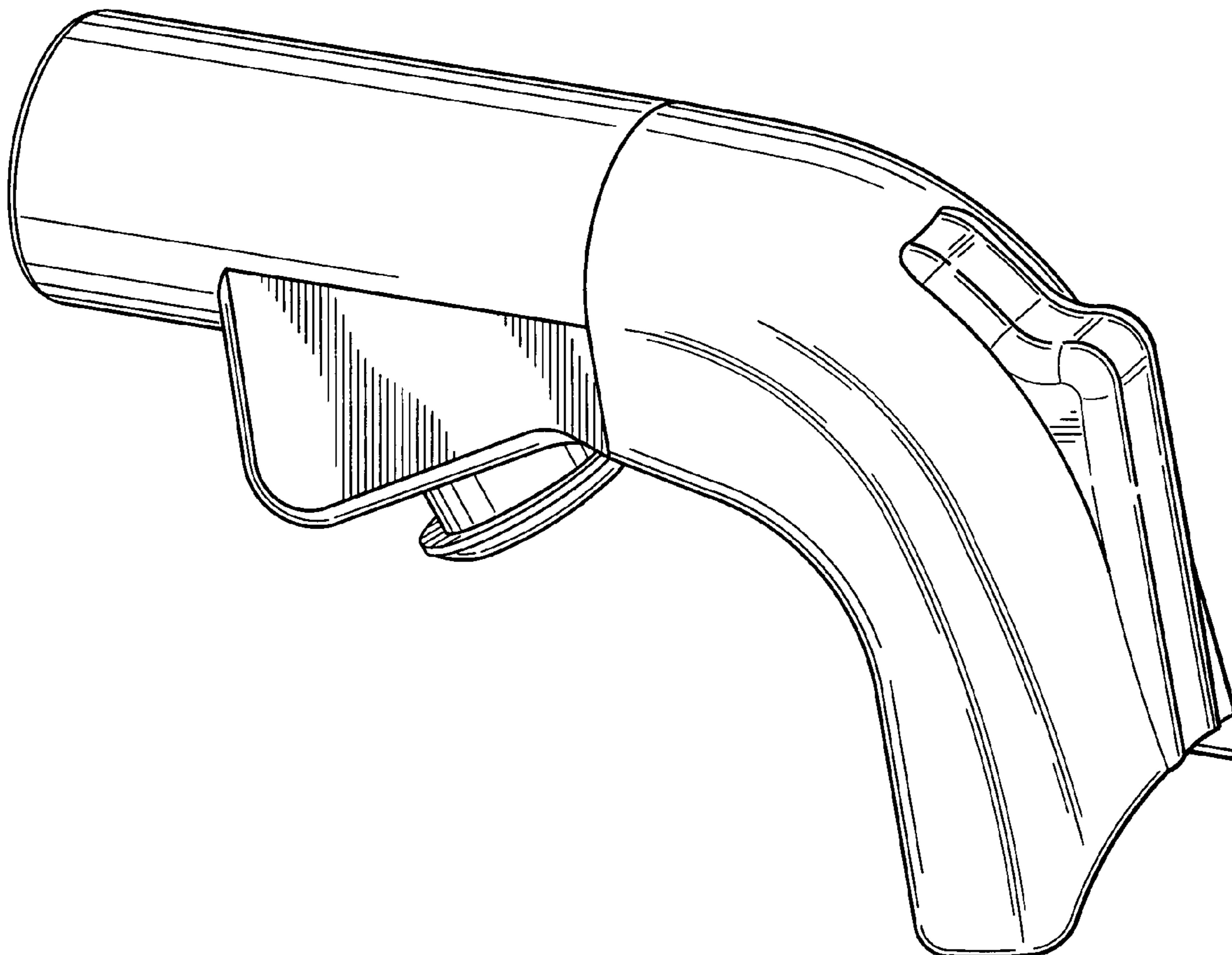
FIG. 6 is a top plan view thereof; and,

FIG. 7 is a bottom plan view thereof.

**U.S. PATENT DOCUMENTS**

D439,326 S \* 3/2001 Hecker et al. .... D24/110.5

**1 Claim, 4 Drawing Sheets**



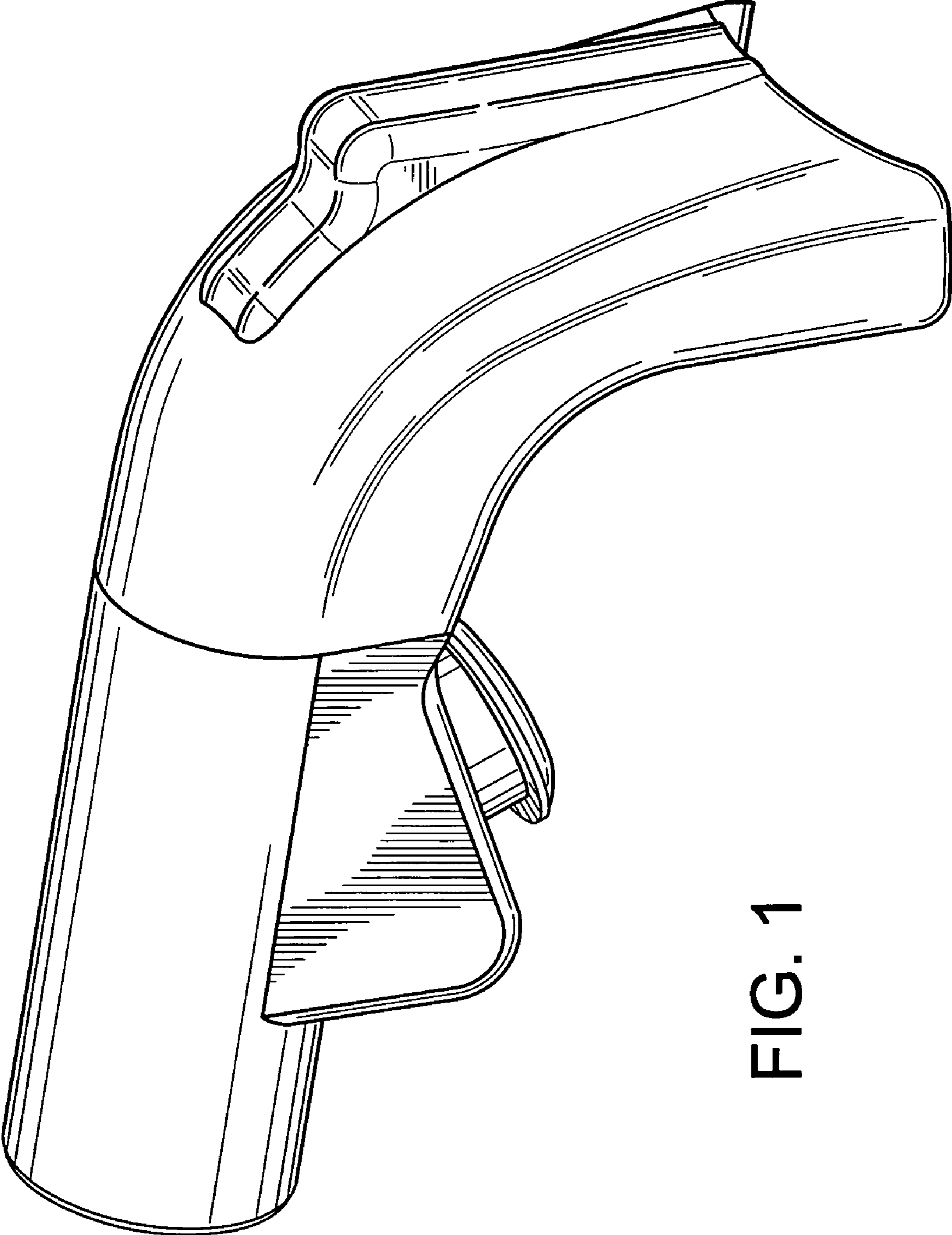


FIG. 1

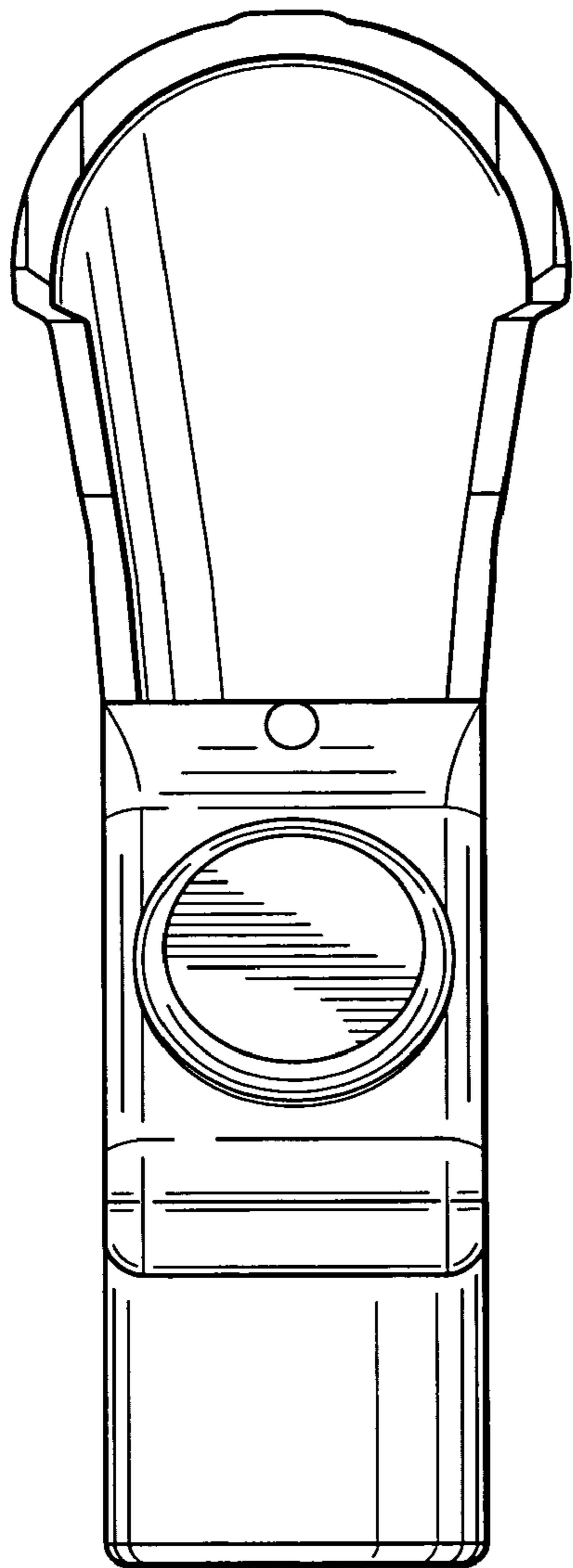


FIG. 2

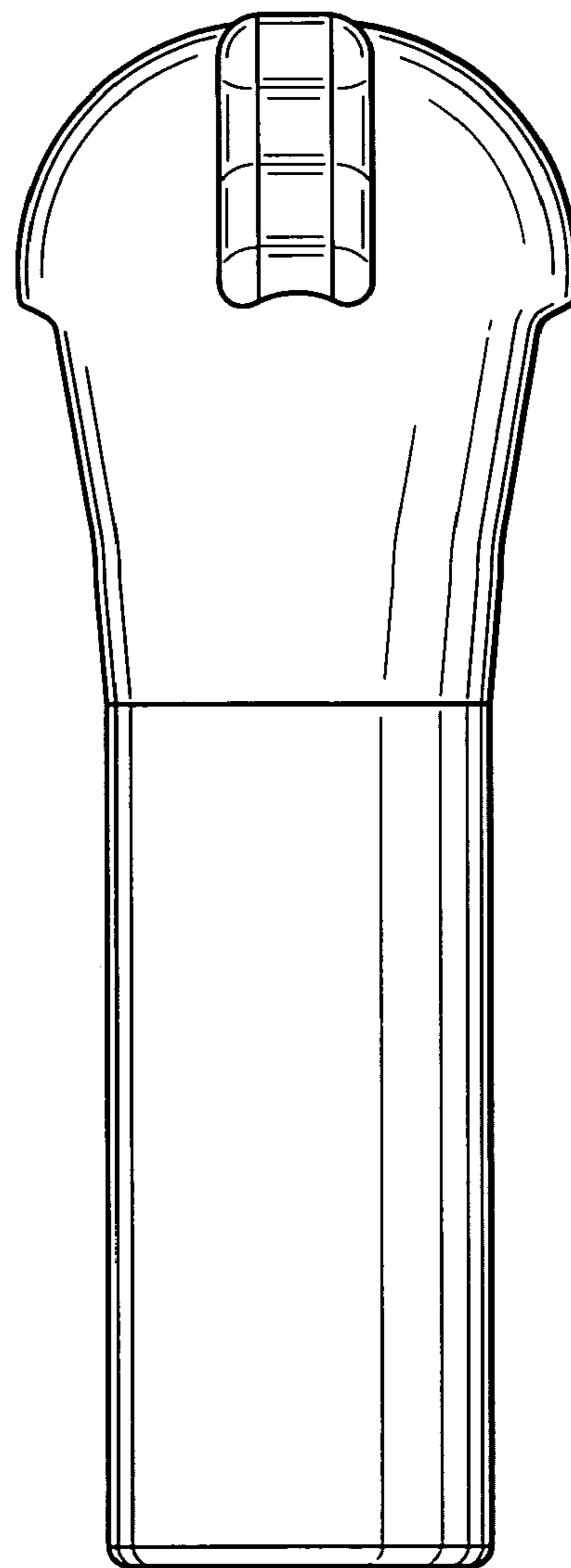


FIG. 3

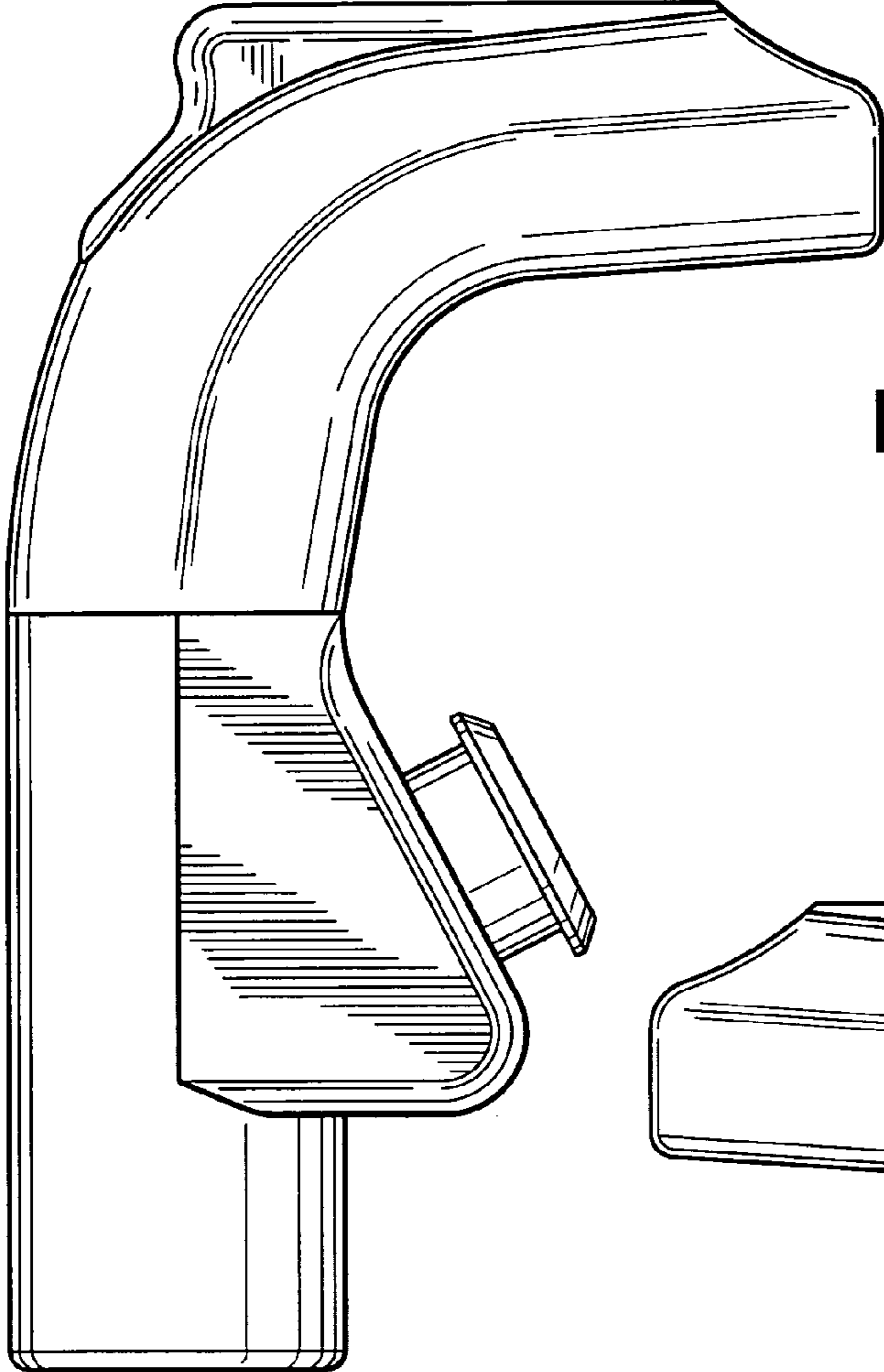


FIG. 4

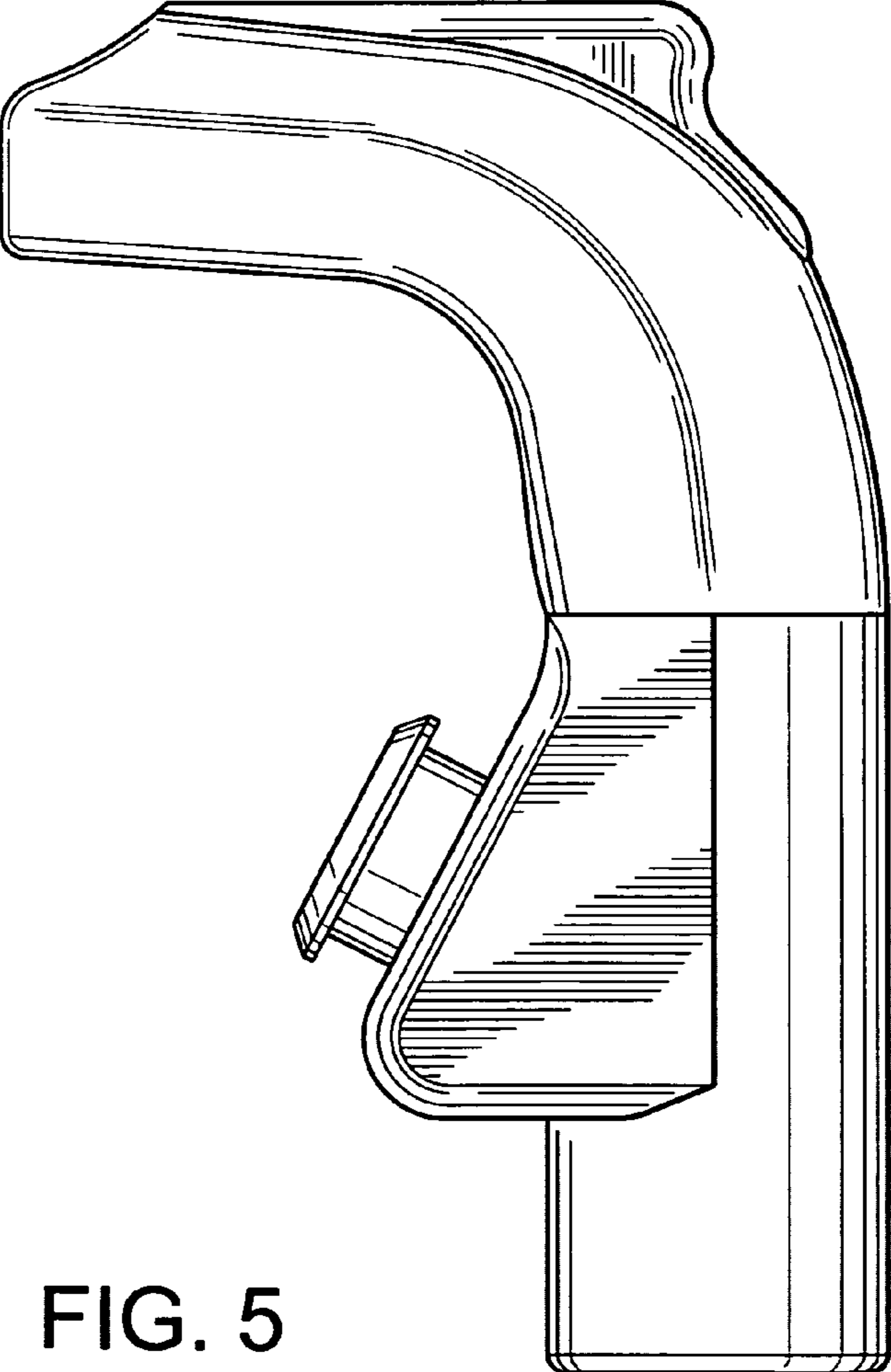


FIG. 5

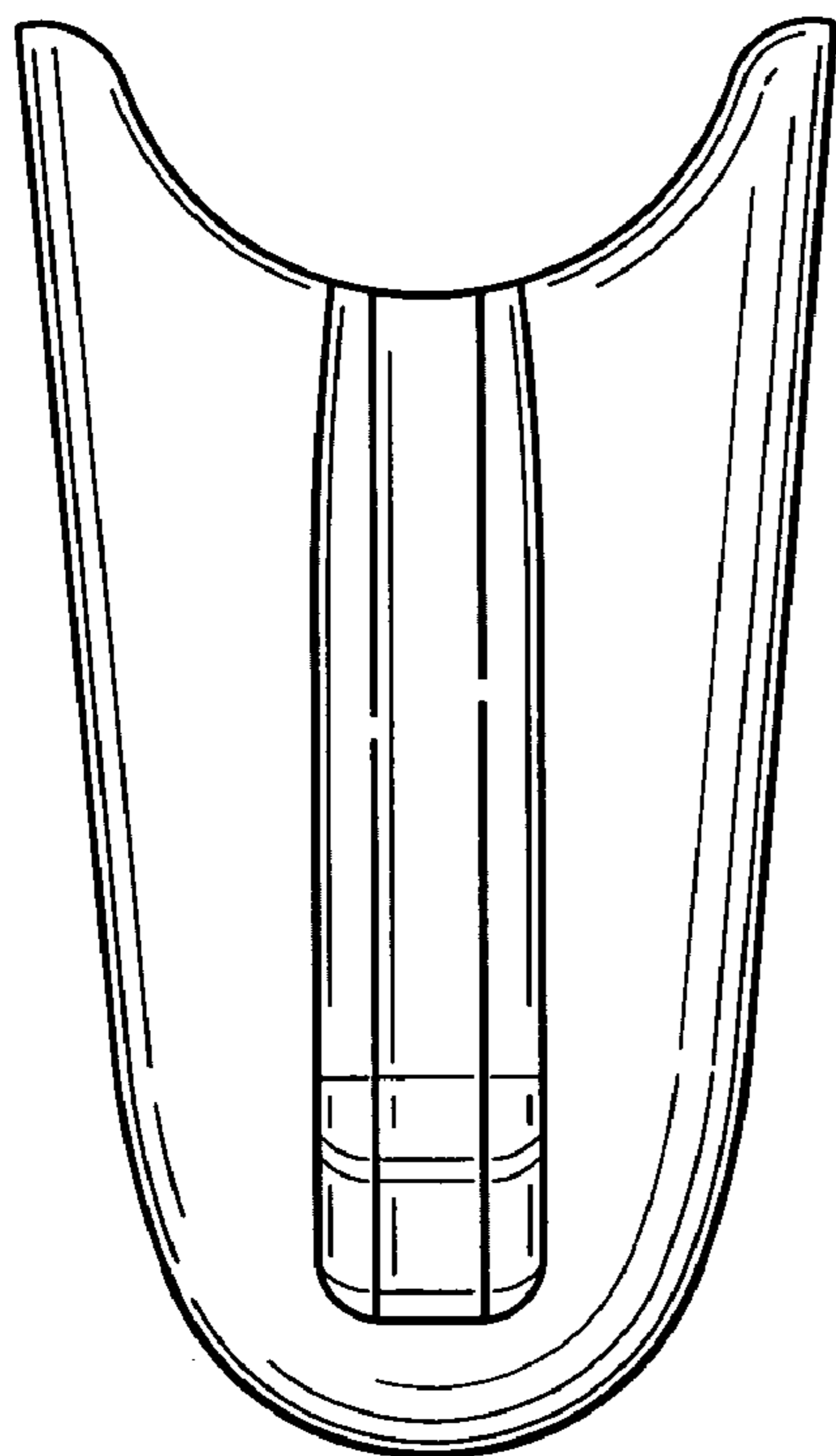


FIG. 6

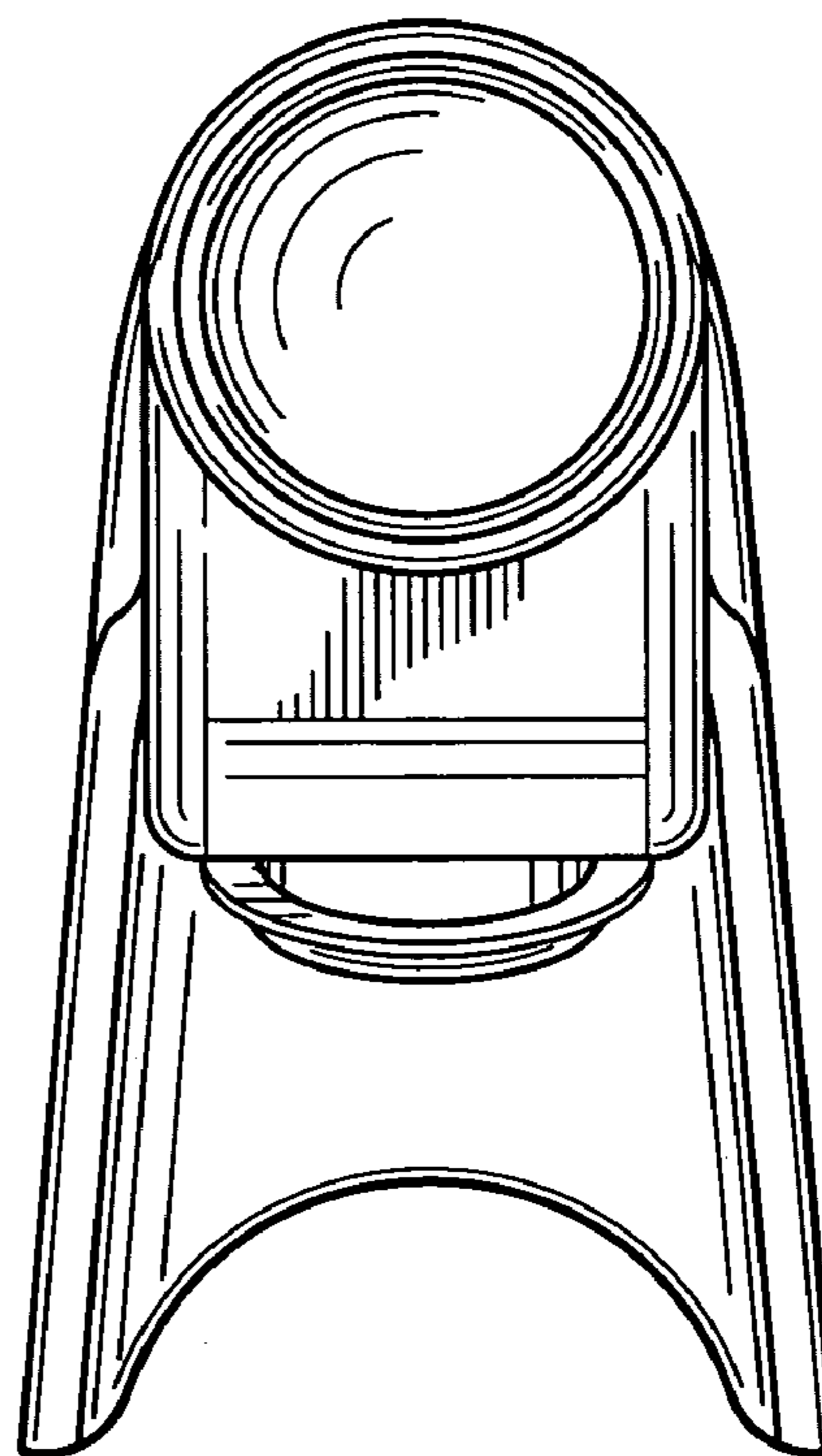


FIG. 7