



US00D569499S

(12) **United States Design Patent**
McCullough

(10) **Patent No.:** **US D569,499 S**

(45) **Date of Patent:** **** May 20, 2008**

(54) **COUGH SILENCER**

(75) Inventor: **David K. McCullough**, Coeur d'Alene, ID (US)

(73) Assignee: **Catalyst Industries, Inc.**, Coeur D'Alene, ID (US)

(**) Term: **14 Years**

(21) Appl. No.: **29/252,177**

(22) Filed: **Jan. 18, 2006**

(51) **LOC (8) Cl.** **29-02**

(52) **U.S. Cl.** **D24/110**

(58) **Field of Classification Search** D24/110,
D24/110.5; 128/205.16, 206.29, 206.17,
128/207.12, 859; D22/199; 181/242
See application file for complete search history.

(56) **References Cited**

U.S. PATENT DOCUMENTS

3,316,903 A *	5/1967	Richards	128/205.16
3,796,842 A	3/1974	Guille		
D235,484 S *	6/1975	Baro	D24/110
4,396,089 A	8/1983	Scully		
4,548,626 A *	10/1985	Ackley et al.	96/139
4,834,212 A	5/1989	Figone et al.		
4,932,495 A	6/1990	Chapman		
5,063,926 A *	11/1991	Forsgren et al.	128/206.17
5,413,094 A	5/1995	McBrearty		

5,434,374 A	7/1995	Hsueh		
5,910,772 A	6/1999	Hui		
6,085,864 A	7/2000	Copeland et al.		
D439,630 S *	3/2001	Ellington et al.	D22/199
6,401,860 B1	6/2002	Ellington et al.		
7,025,060 B1 *	4/2006	Nicholson	128/206.29

* cited by examiner

Primary Examiner—Ian Simmons

Assistant Examiner—Christopher Lee

(74) *Attorney, Agent, or Firm*—Wells St. John, P.S.

(57) **CLAIM**

The ornamental design of a cough silencer, as shown and described.

DESCRIPTION

FIG. 1 is a perspective view of a cough silencer of the present invention.

FIG. 2 is a top plan view thereof;

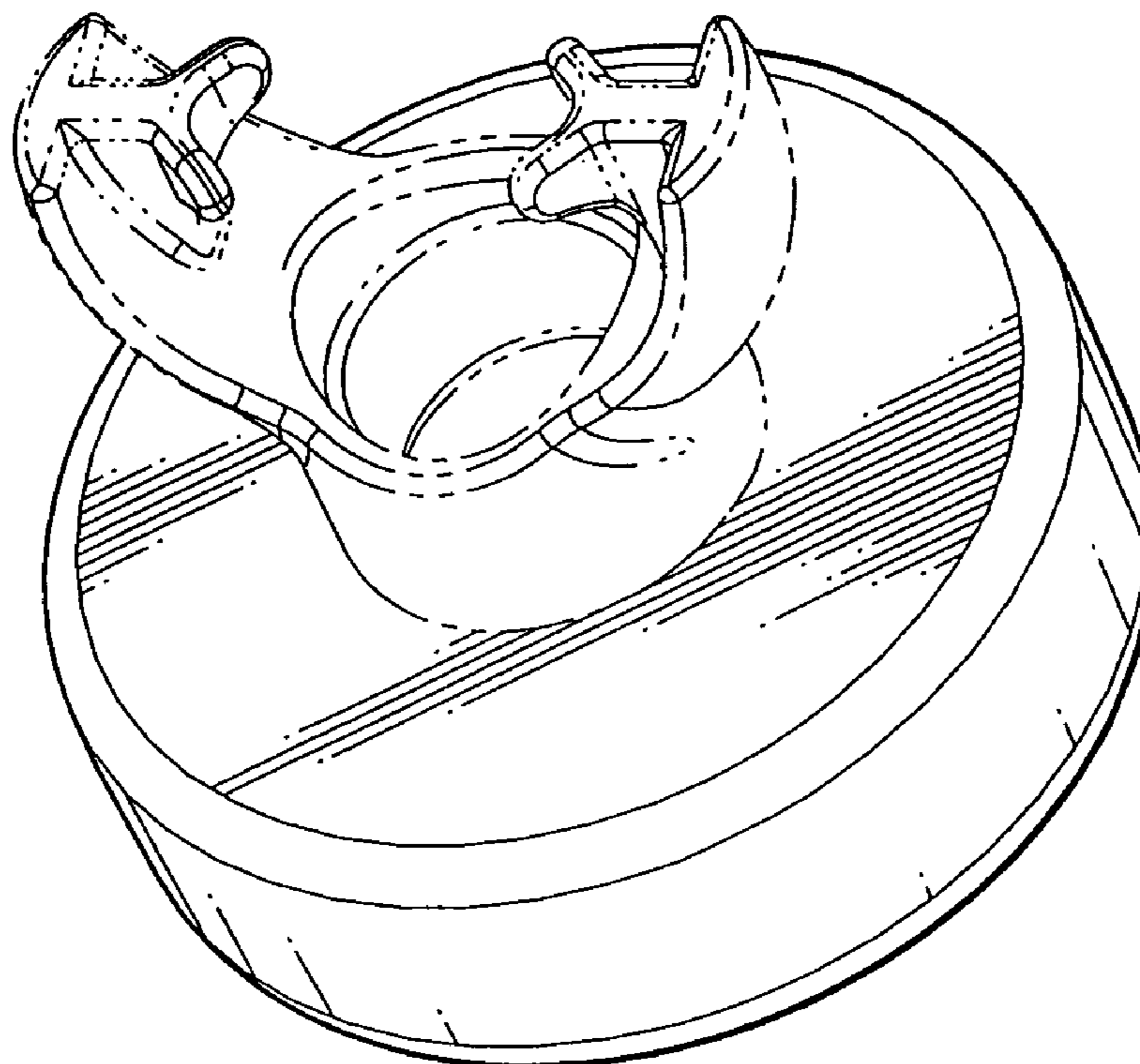
FIG. 3 is a front elevational view thereof;

FIG. 4 is a right side elevational view thereof; and,

FIG. 5 is a bottom plan view thereof.

The broken lines are directed to environment and are for illustrative purposes only and form no part of the claimed design.

1 Claim, 2 Drawing Sheets



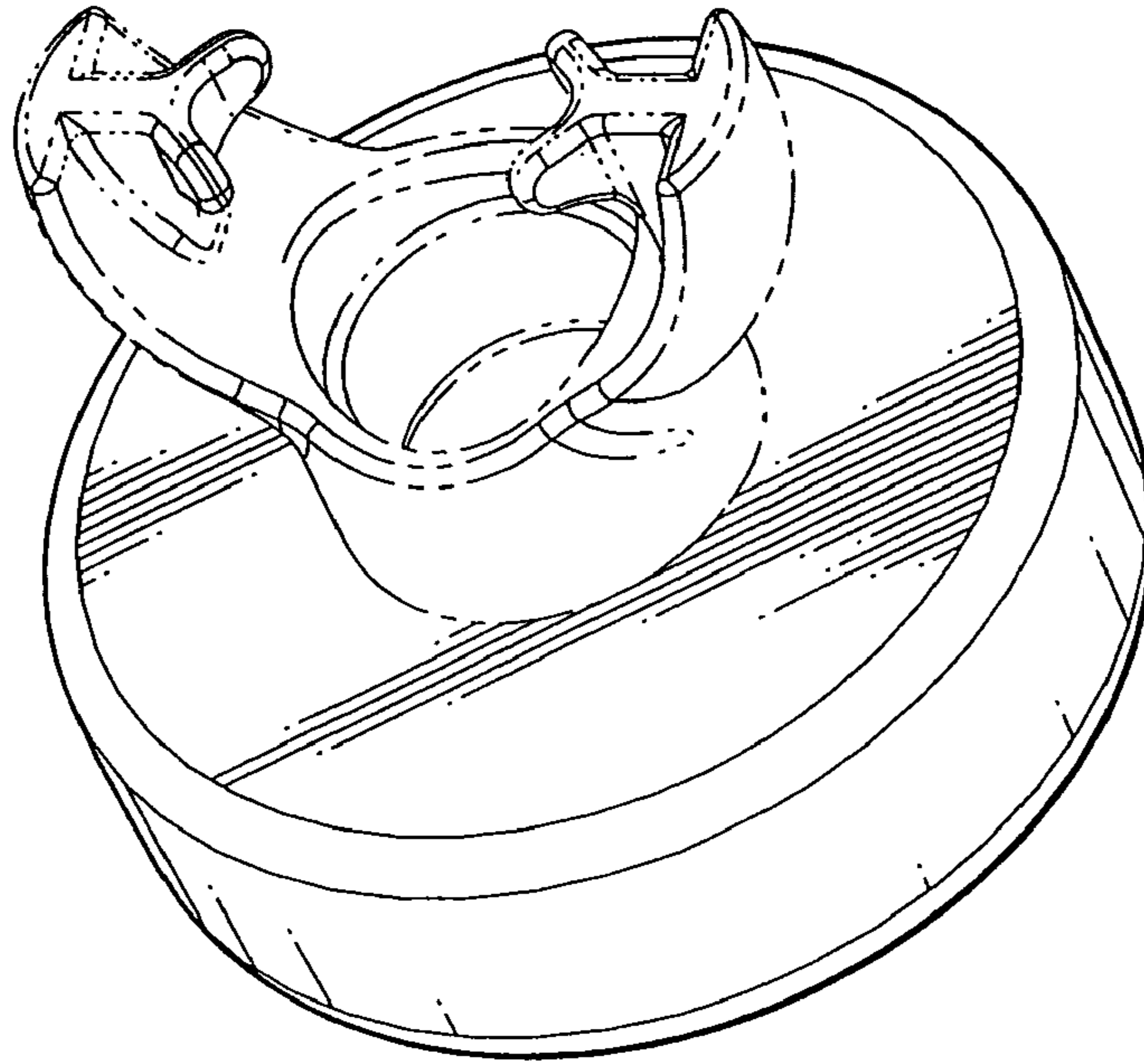


Fig. 1

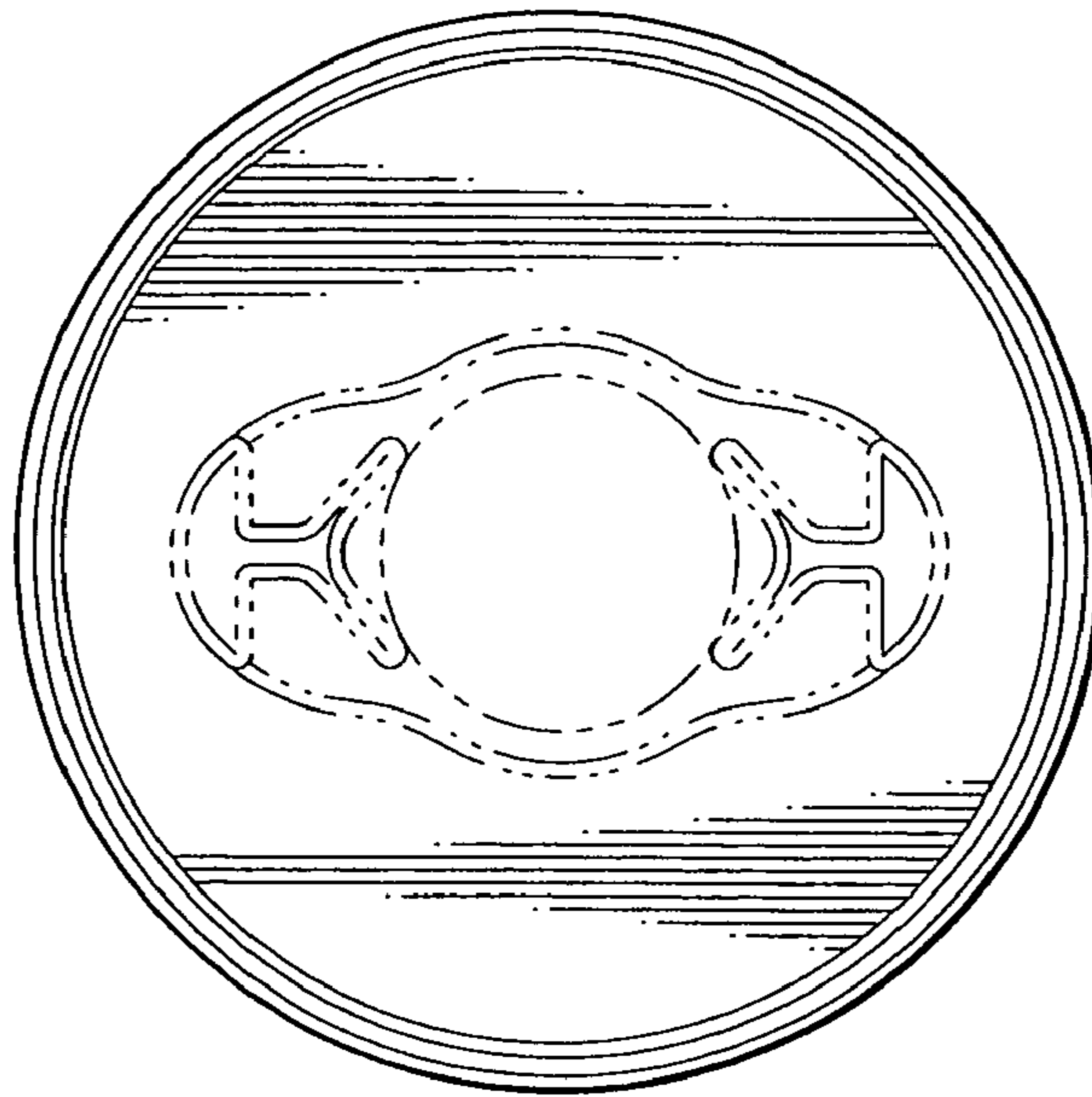


Fig. 2

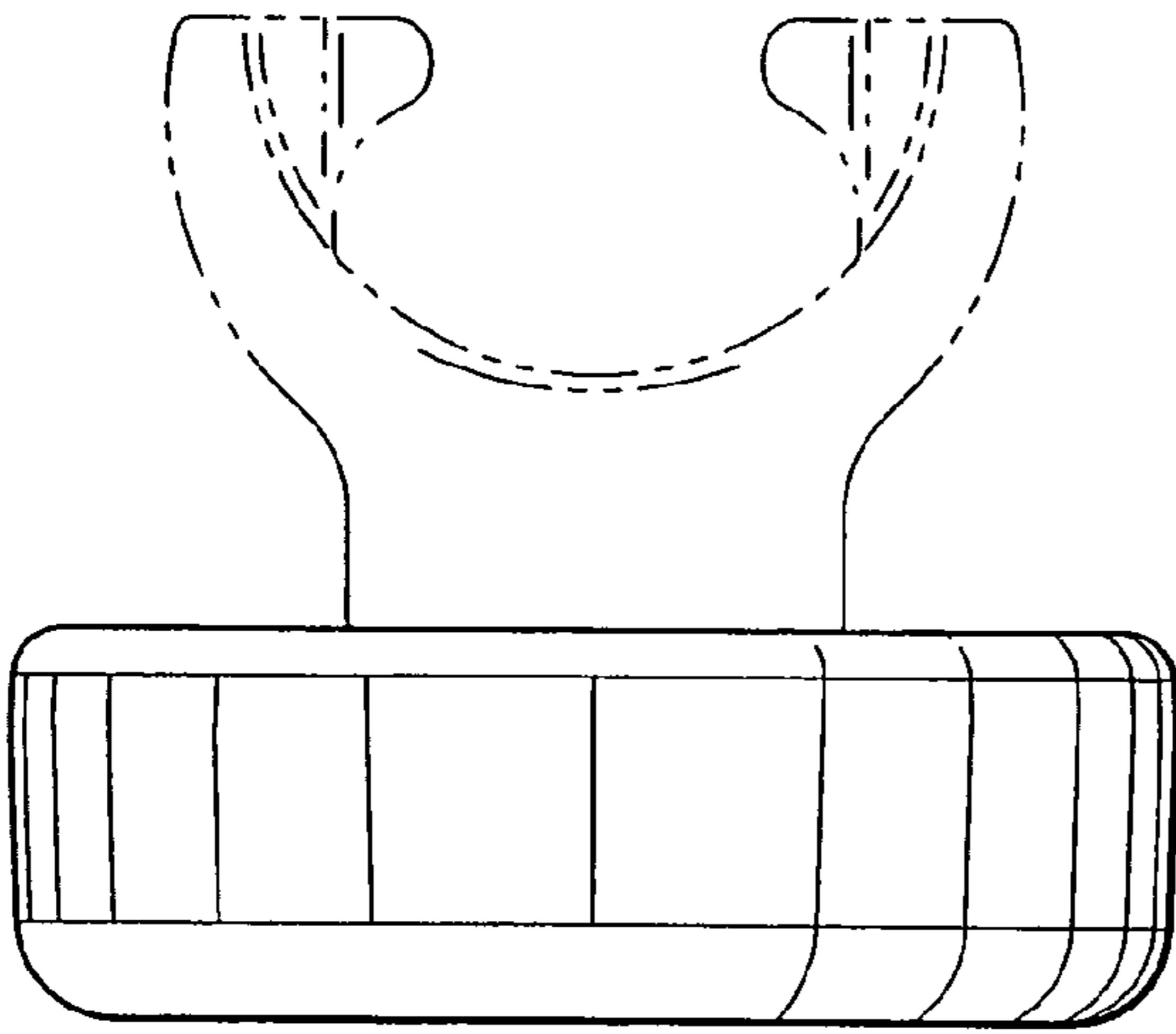


FIG. 3

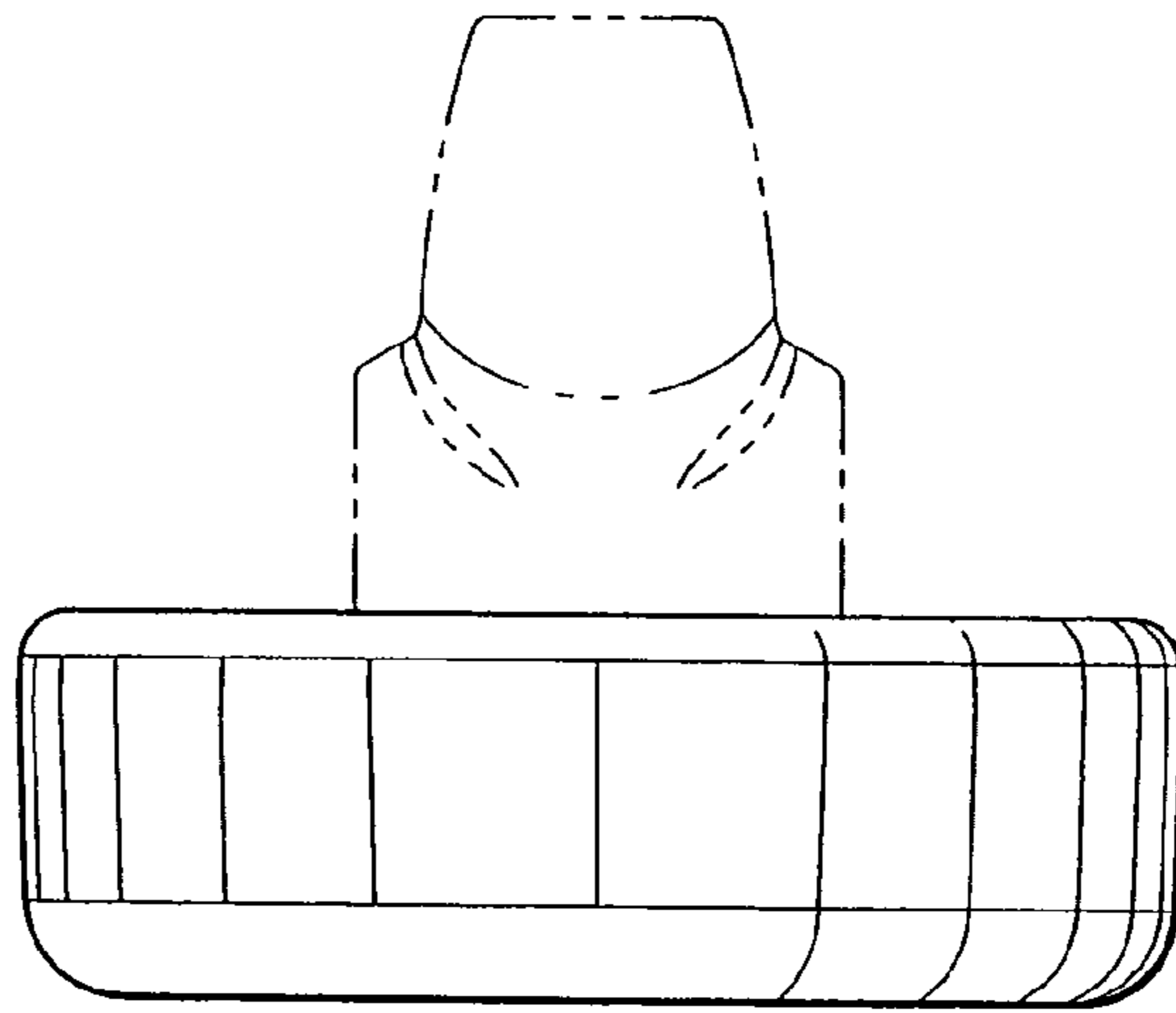


FIG. 4

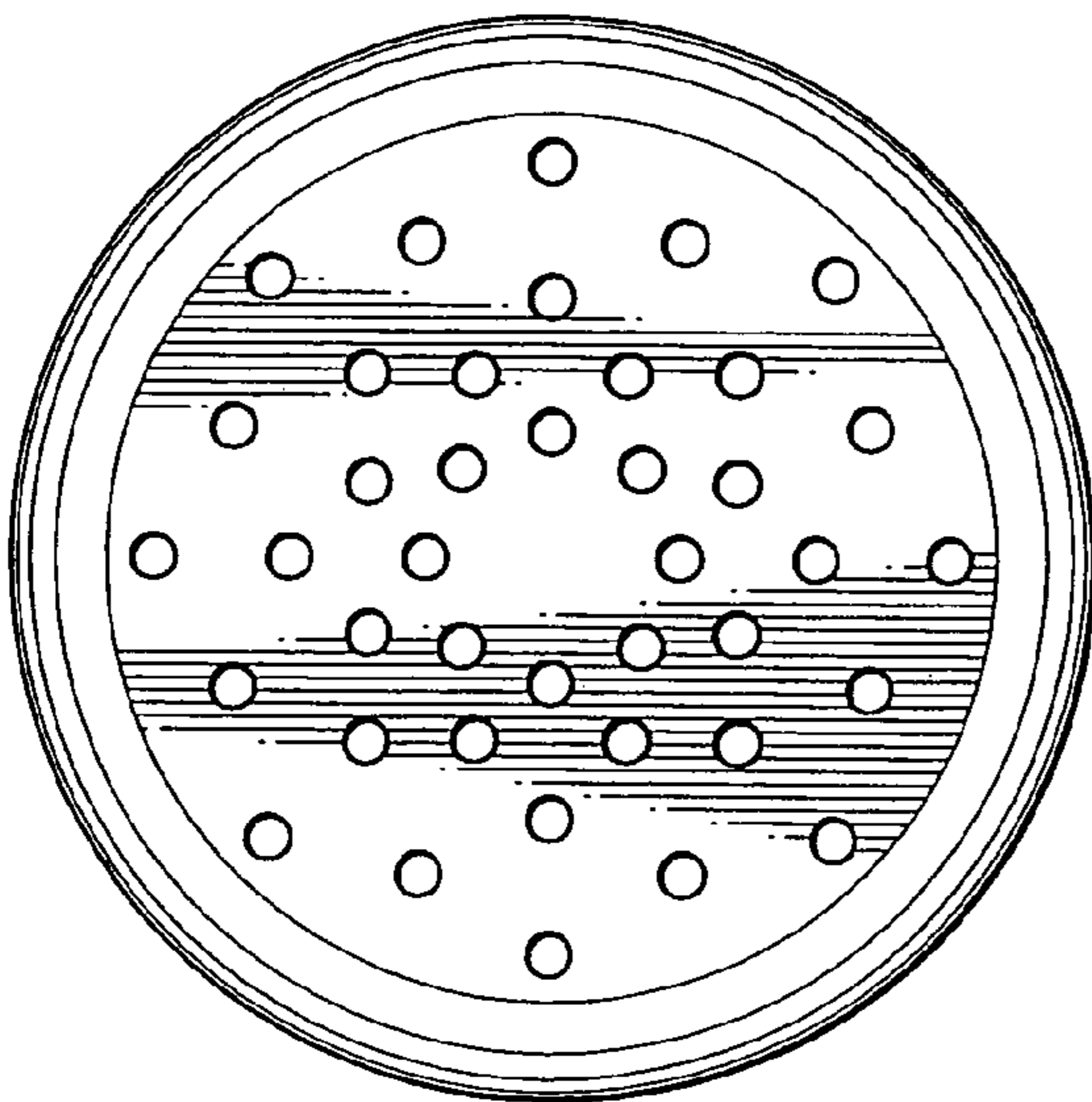


FIG. 5