

US00D569496S

(12) **United States Design Patent**
Pan

(10) **Patent No.:** **US D569,496 S**

(45) **Date of Patent:** **** May 20, 2008**

(54) **CEILING FAN MOTOR HOUSING**

(57) **CLAIM**

(75) Inventor: **Peter Pan**, Shetzu (TW)

I claim the ornamental design for a ceiling fan motor housing, as shown and described.

(73) Assignee: **Air Cool Industrial Co., Ltd.**,
Taichung County (TW)

(**) Term: **14 Years**

DESCRIPTION

(21) Appl. No.: **29/295,516**

FIG. 1 is a front perspective view of a ceiling fan motor housing showing my new design;

(22) Filed: **Sep. 29, 2007**

FIG. 2 is a front elevational view thereof;

(51) **LOC (8) Cl.** **23-04**

FIG. 3 is a rear elevational view thereof.

(52) **U.S. Cl.** **D23/411**

FIG. 4 is a left side elevational view thereof;

(58) **Field of Classification Search** D23/377,
D23/379, 385, 411, 413; 416/5

FIG. 5 is a right side elevational view thereof;

See application file for complete search history.

FIG. 6 is a top plan view thereof; and

FIG. 7 is a bottom plan view thereof; and,

(56) **References Cited**

FIG. 8 is a front end view of the bath accessory base in accordance with my design, shown in its environment thereof.

U.S. PATENT DOCUMENTS

D518,165 S * 3/2006 Frampton et al. D23/411

D526,716 S * 8/2006 Pickett D23/411

D556,888 S * 12/2007 Curtin D23/411

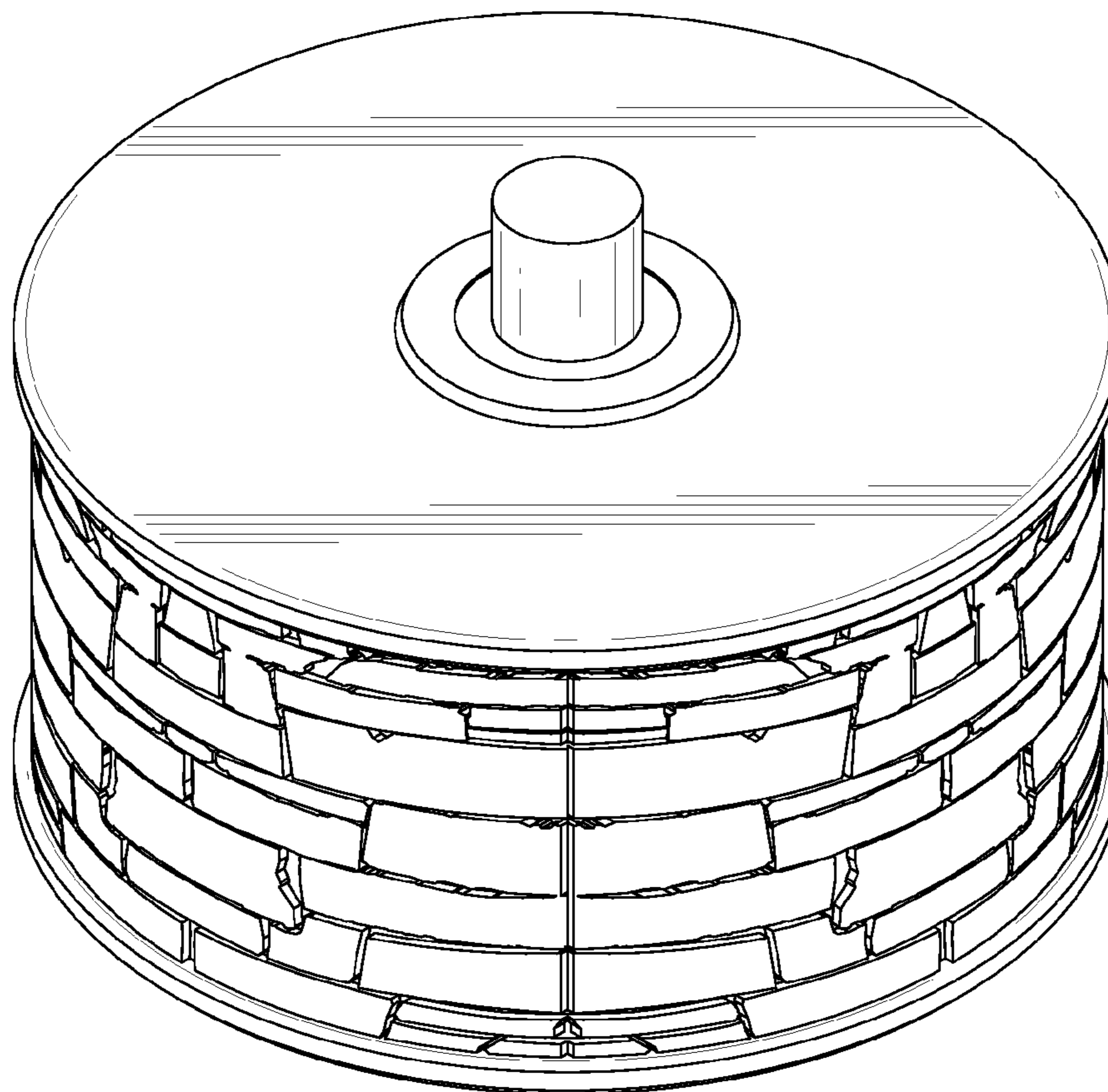
The broken line showing of the ceiling fan blades, blade irons, switch housing, light fixture and pull cord is included for the purpose of illustrating environmental structure and forms no part of the claimed design.

* cited by examiner

Primary Examiner—Lisa Lichtenstein

(74) *Attorney, Agent, or Firm*—Ming Chow; Sinorica, LLC

1 Claim, 6 Drawing Sheets



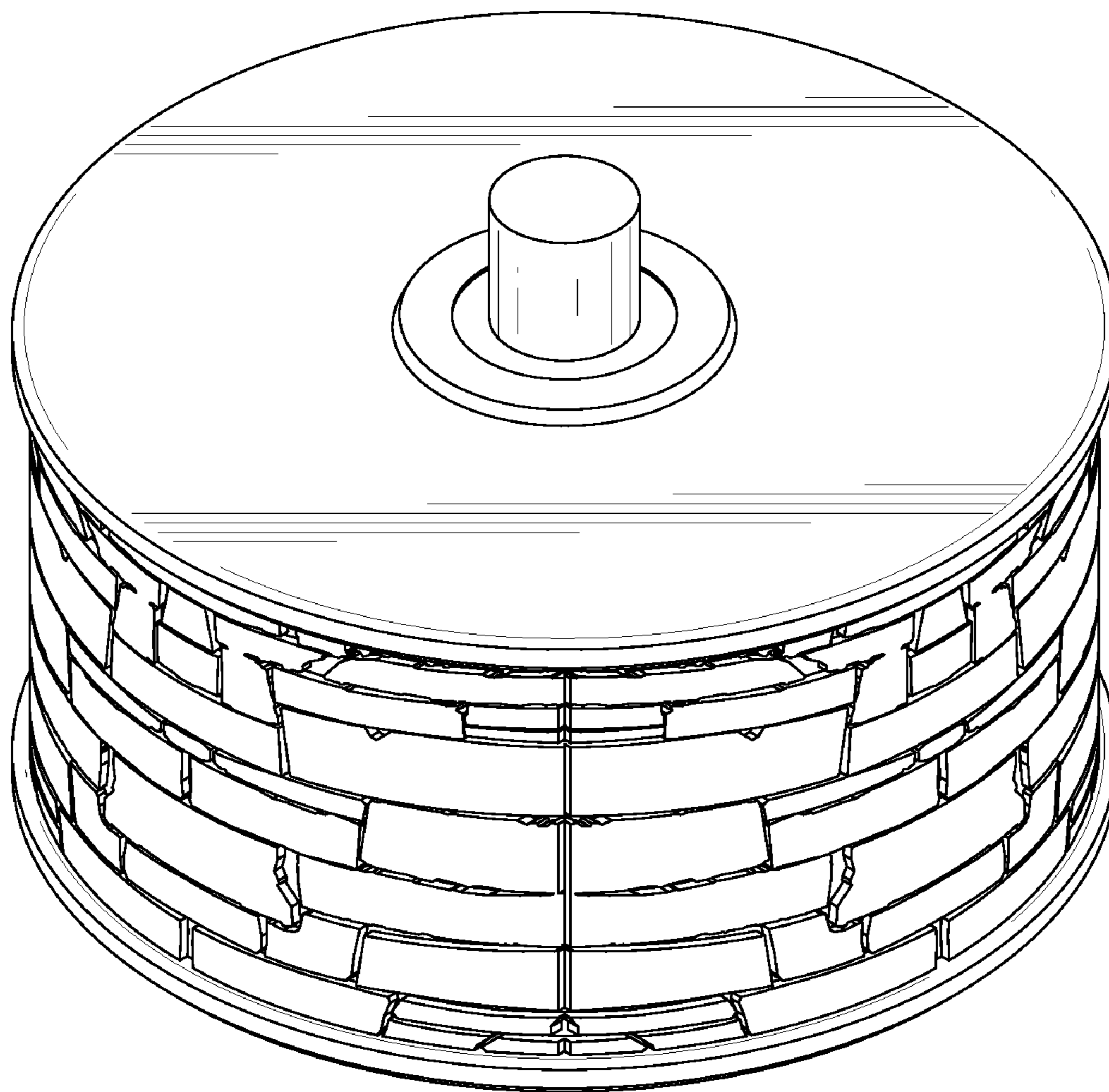


FIG. 1

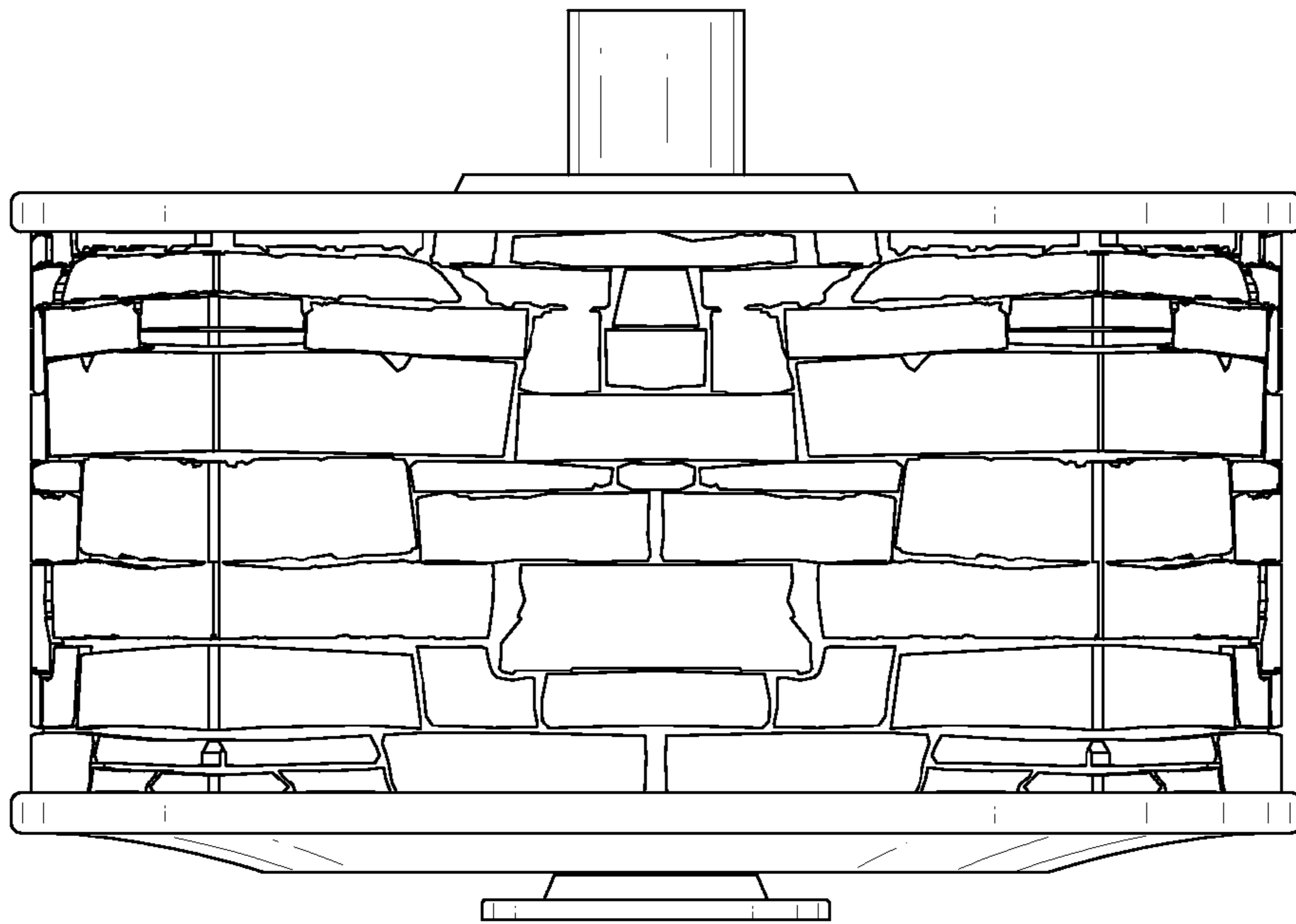


FIG. 2

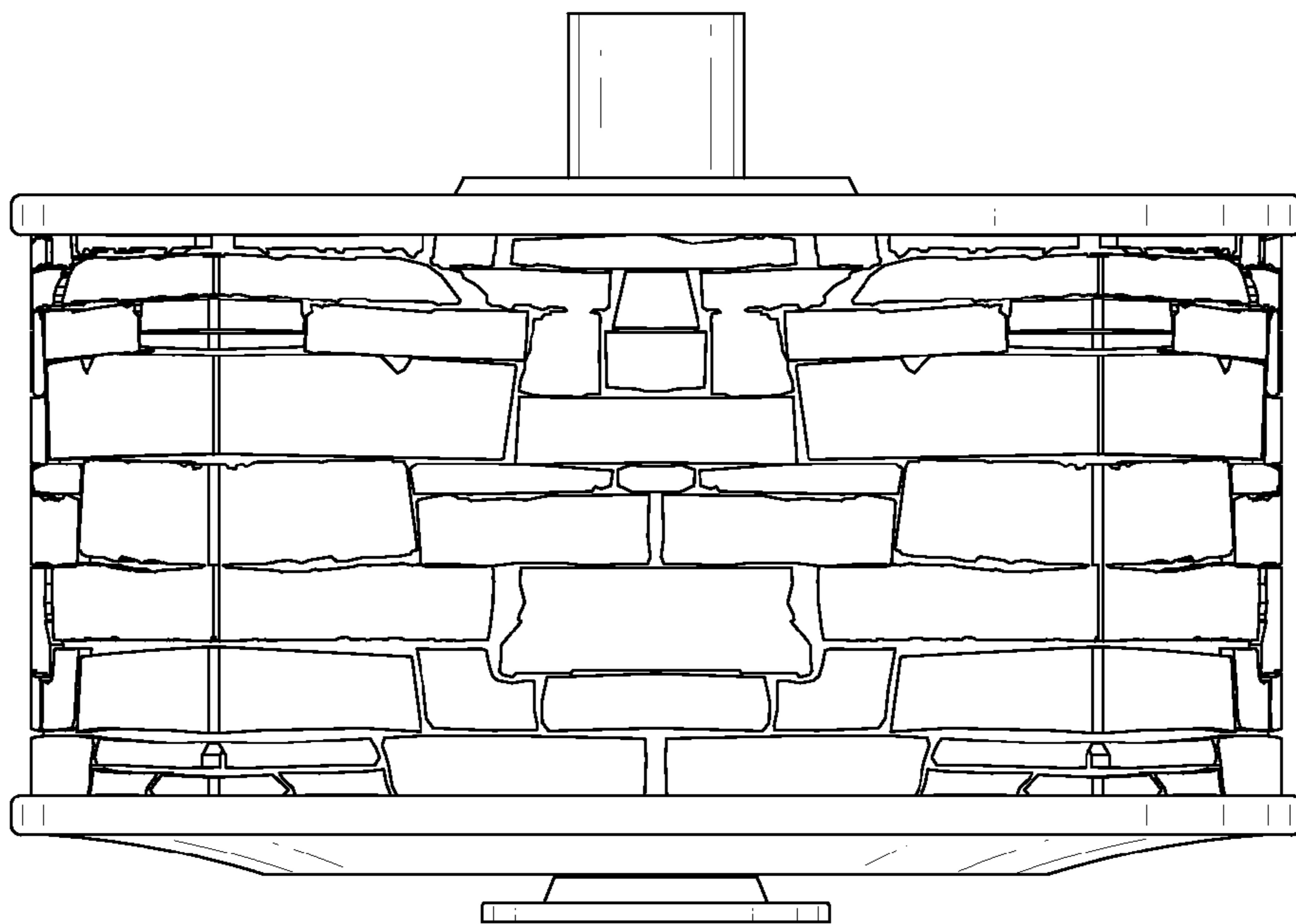


FIG. 3

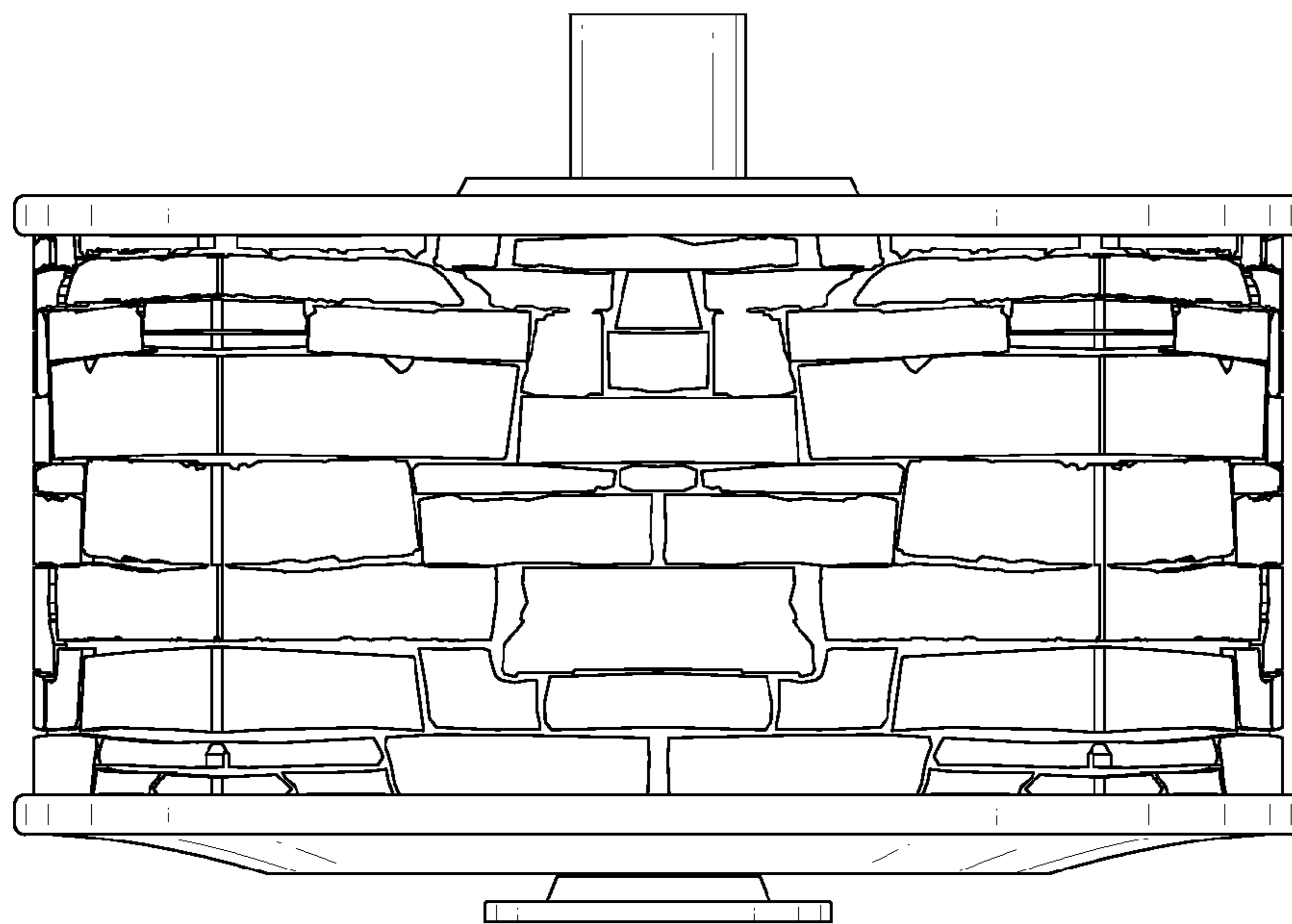


FIG. 4

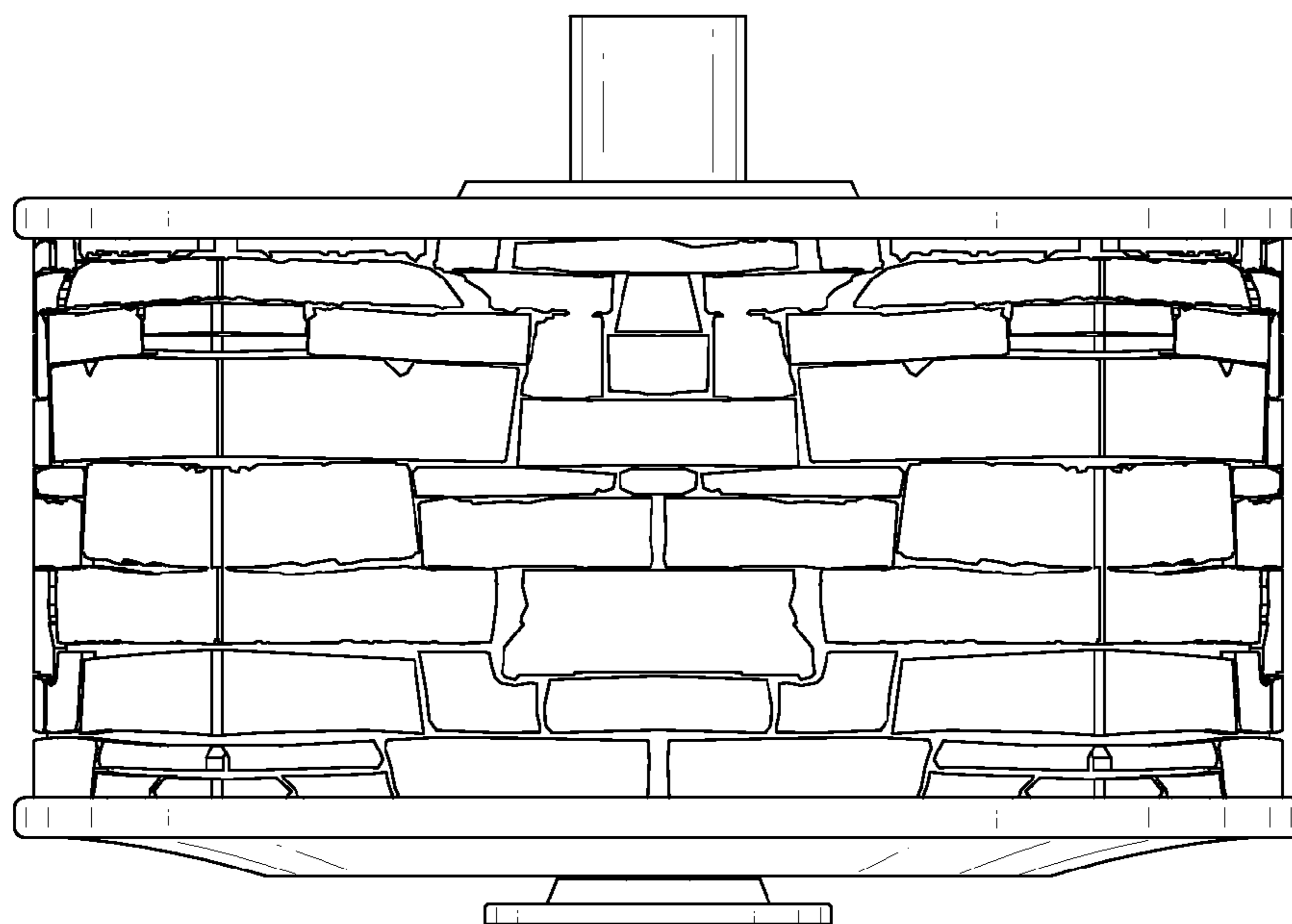


FIG. 5



FIG. 6

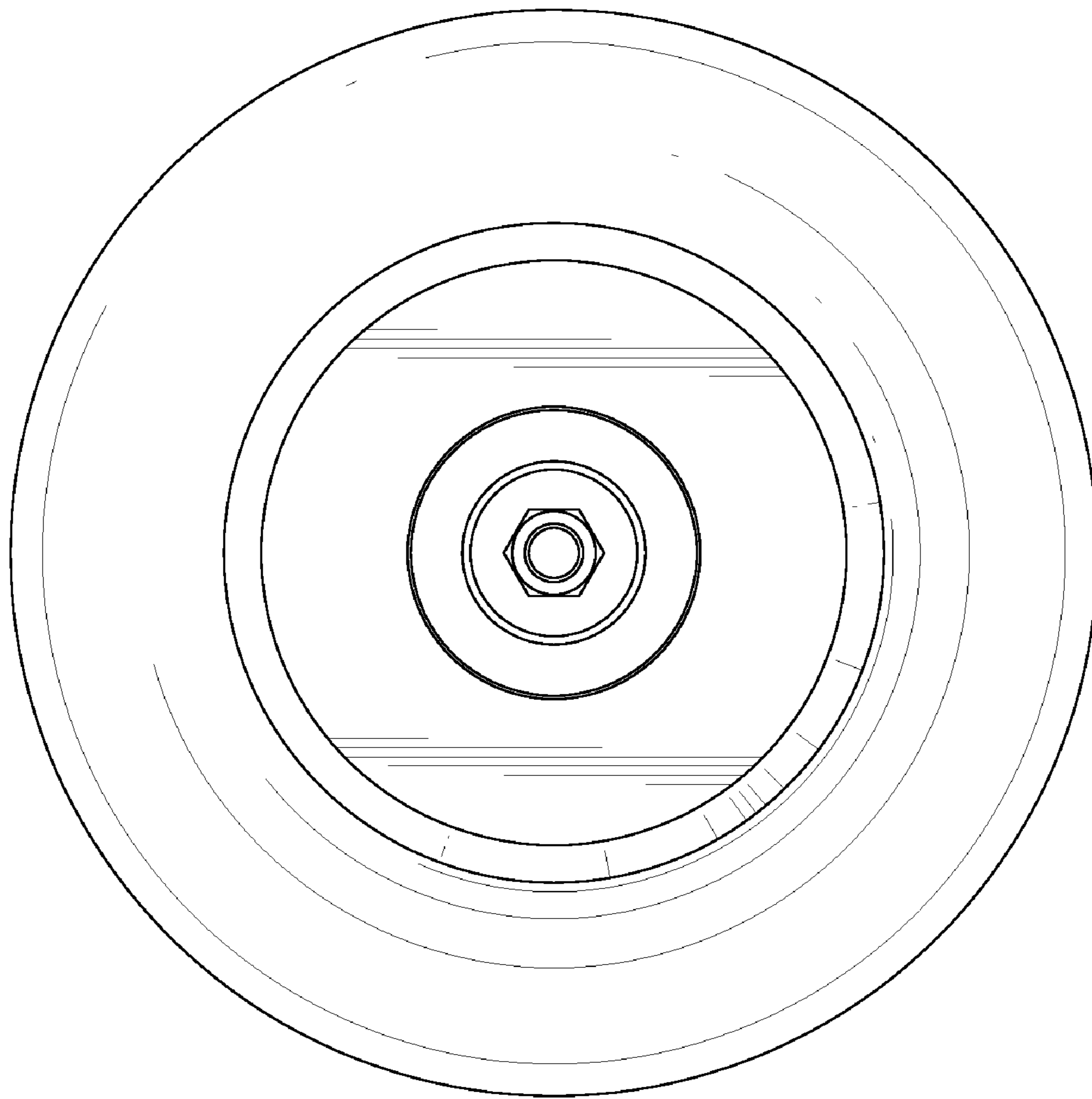


FIG. 7

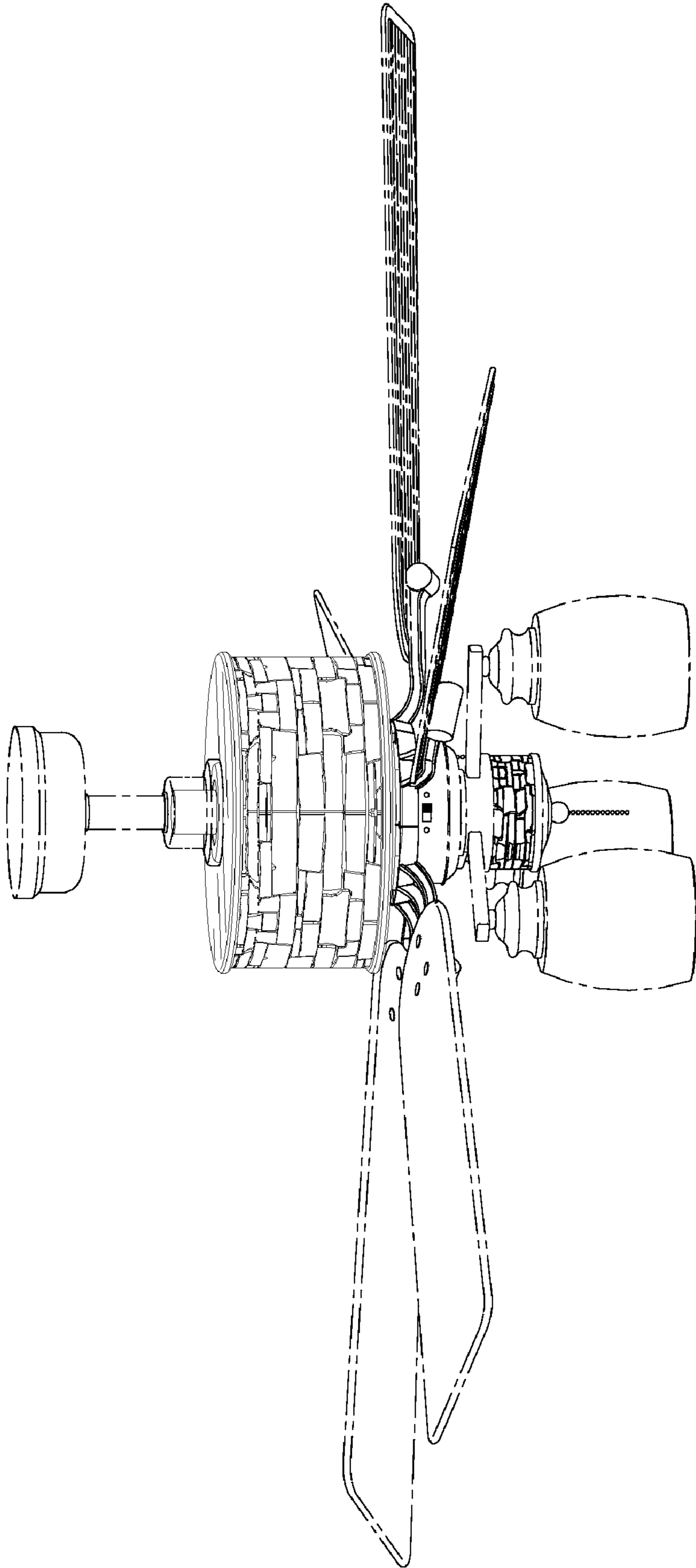


FIG. 8