



US00D569495S

(12) **United States Design Patent**  
**Reiser**

(10) **Patent No.:** **US D569,495 S**  
(45) **Date of Patent:** **\*\* May 20, 2008**

(54) **FLEXIBLE STAND FOR A FAN**

(75) Inventor: **Stephen Reiser**, Cherry Hill, NJ (US)

(73) Assignee: **Lasko Holdings Inc.**, Wilmington, DE (US)

(\*\*) Term: **14 Years**

(21) Appl. No.: **29/289,720**

(22) Filed: **Jul. 30, 2007**

(51) **LOC (8) Cl.** ..... **23-04**

(52) **U.S. Cl.** ..... **D23/411**

(58) **Field of Classification Search** ..... D23/378,  
D23/380, 381, 382, 411, 370, 335-336, 337;  
416/244, 246, 247 RR

See application file for complete search history.

(56) **References Cited**

**U.S. PATENT DOCUMENTS**

D346,653 S \* 5/1994 Chiu et al. .... D23/411  
D352,105 S \* 11/1994 Chen ..... D23/382

\* cited by examiner

*Primary Examiner*—Lisa Lichtenstein

(74) *Attorney, Agent, or Firm*—Martin Fruitman

(57) **CLAIM**

The ornamental design for a flexible stand for a fan, as shown and described.

**DESCRIPTION**

FIG. 1 is a right side front perspective view of a flexible stand for a fan showing my new design;

FIG. 2 is a right side rear perspective view thereof;

FIG. 3 is a front elevation view thereof;

FIG. 4 is a right side elevation view thereof;

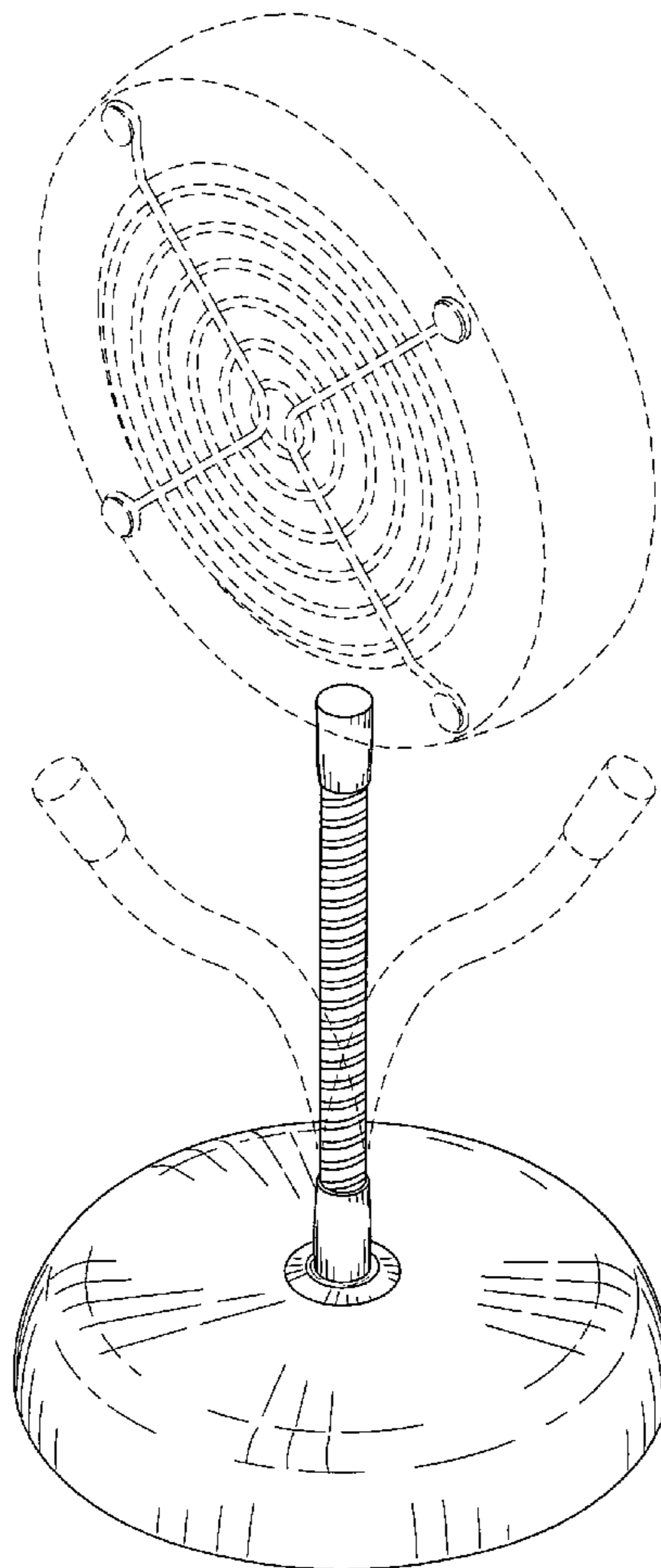
FIG. 5 is a left side elevation view thereof;

FIG. 6 is a rear elevation view thereof; and,

FIG. 7 is an enlarged top plan view thereof.

The broken line showing of the fan and the stand in alternate positions is included for the purpose of illustrating environmental structure and forms no part of the claimed design.

**1 Claim, 7 Drawing Sheets**



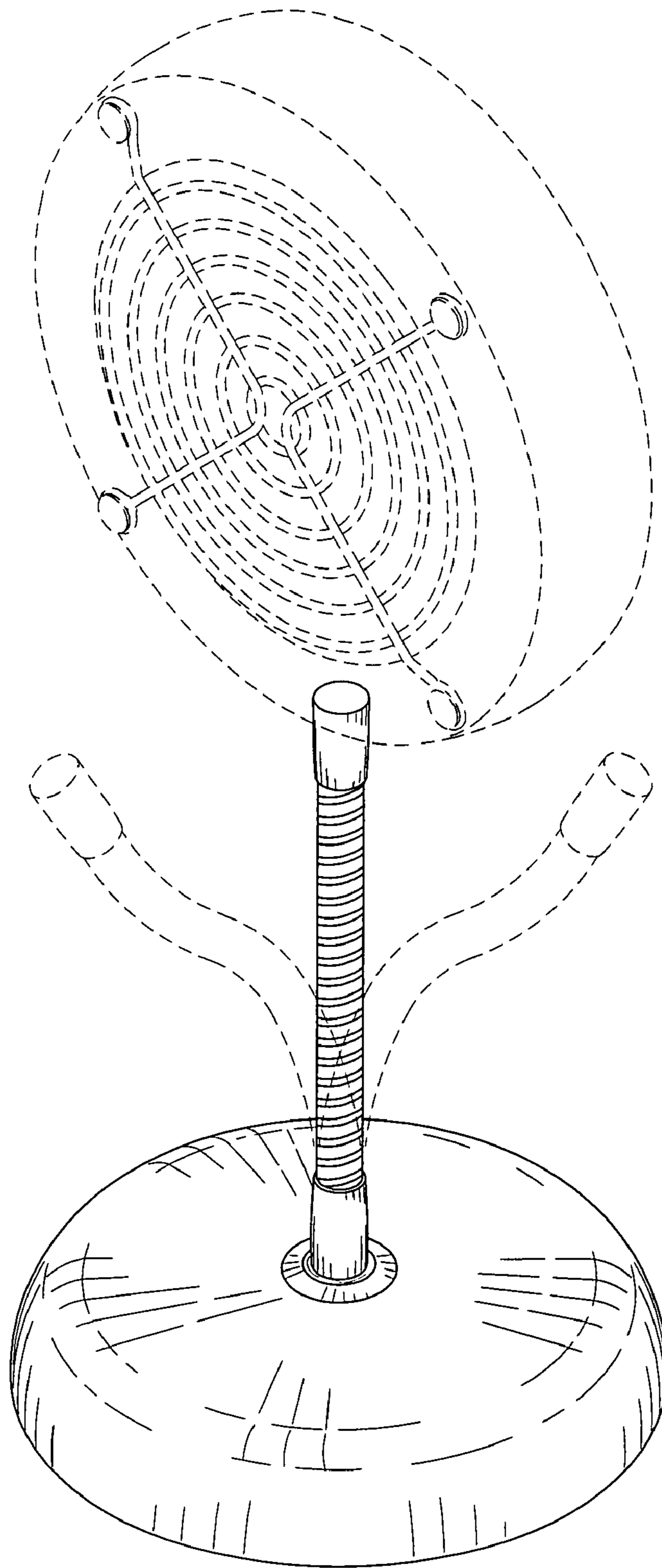


FIG. 1

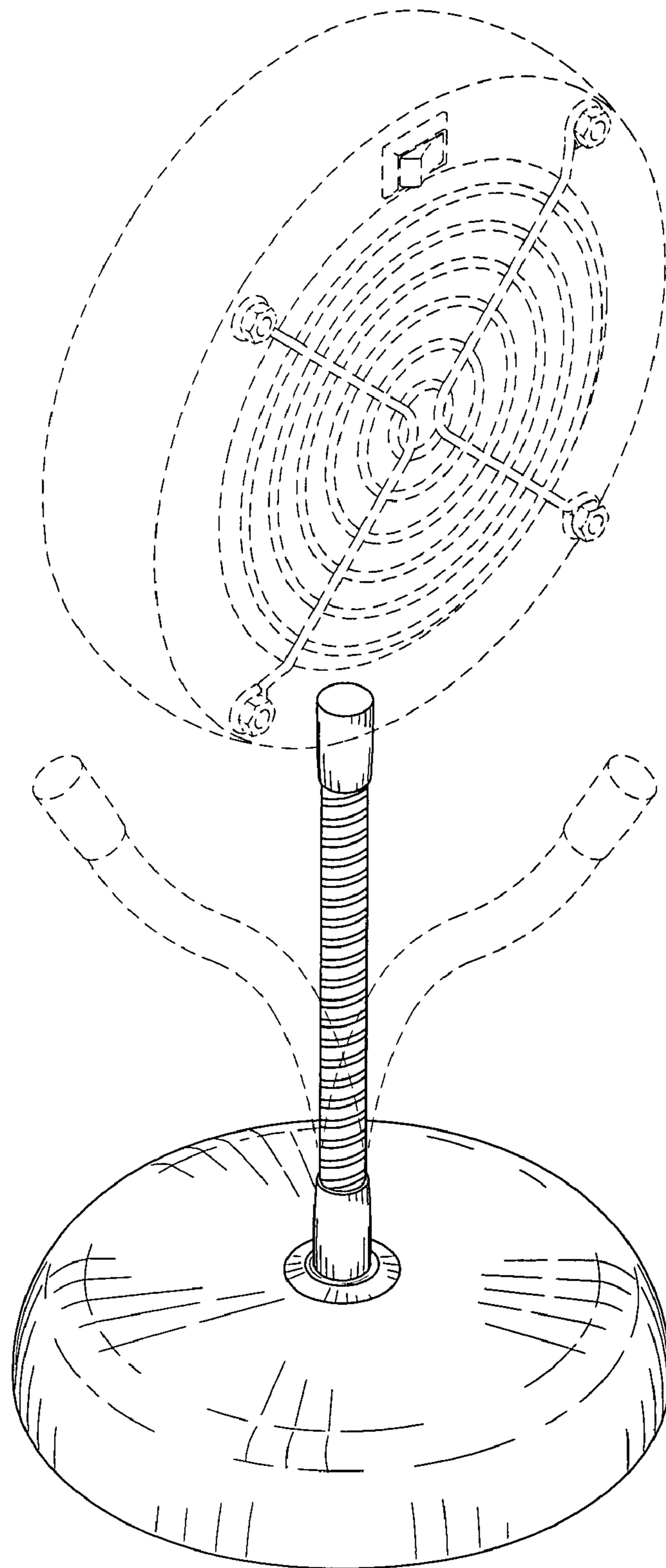


FIG. 2

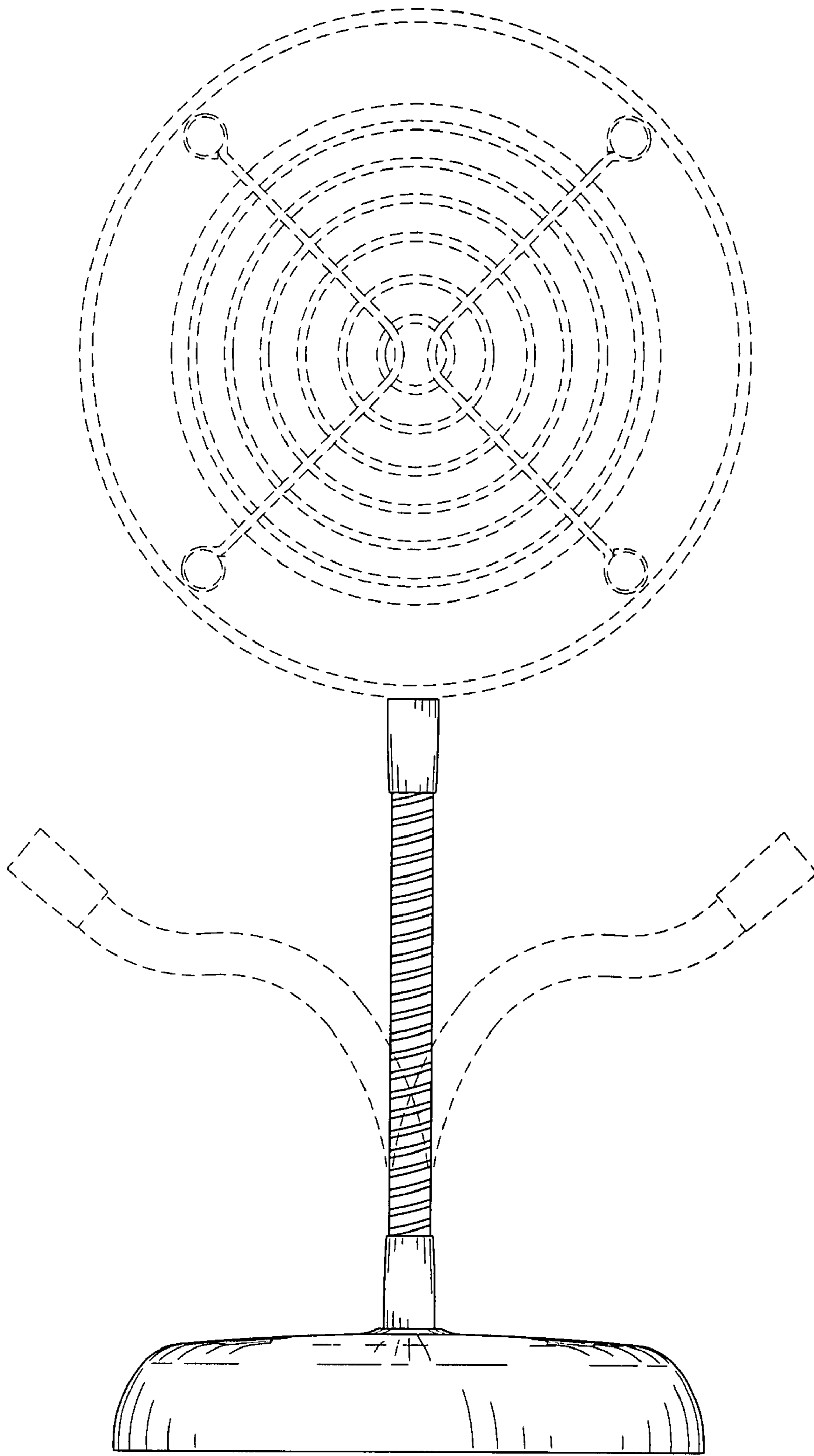


FIG. 3

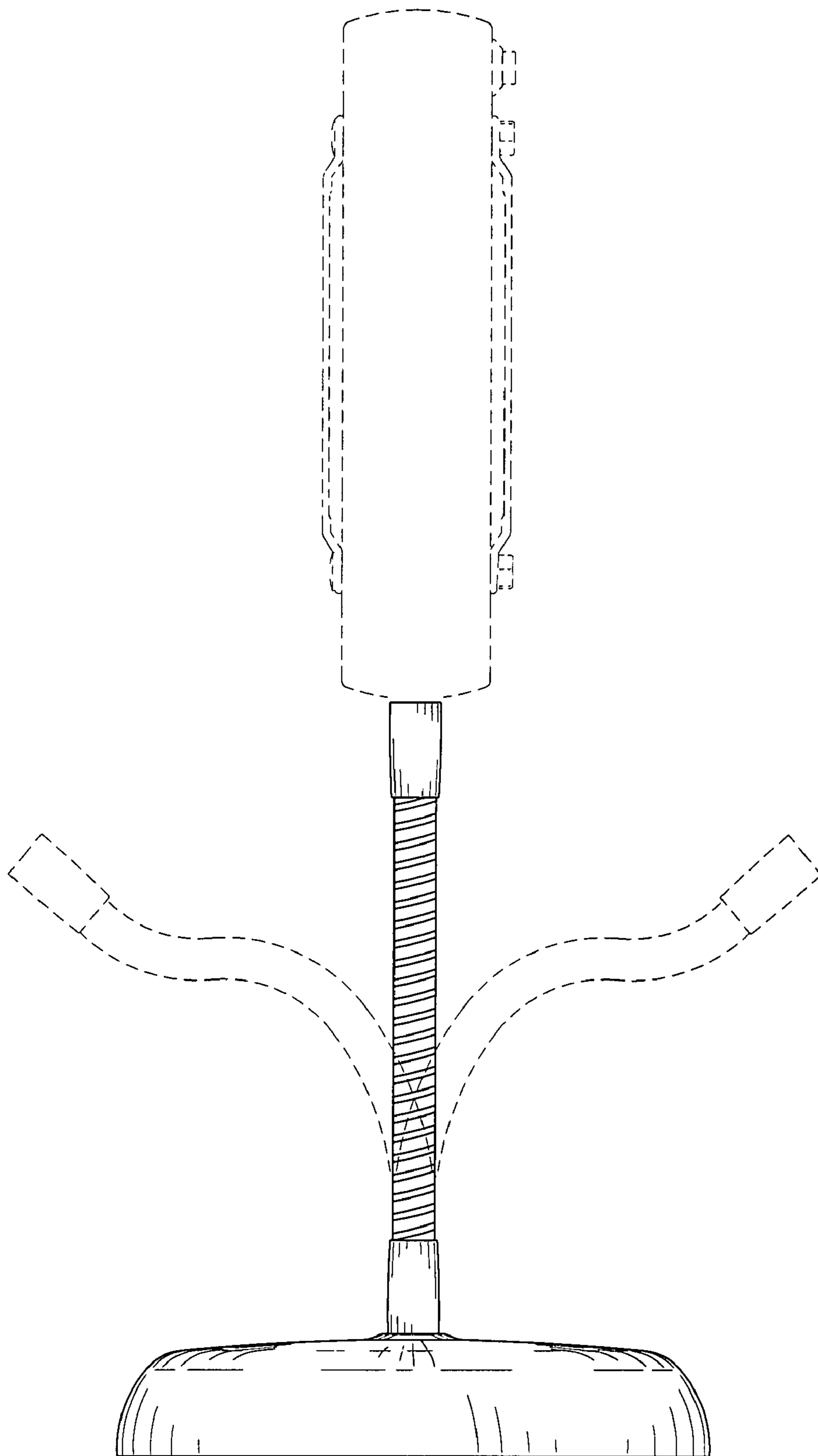


FIG. 4

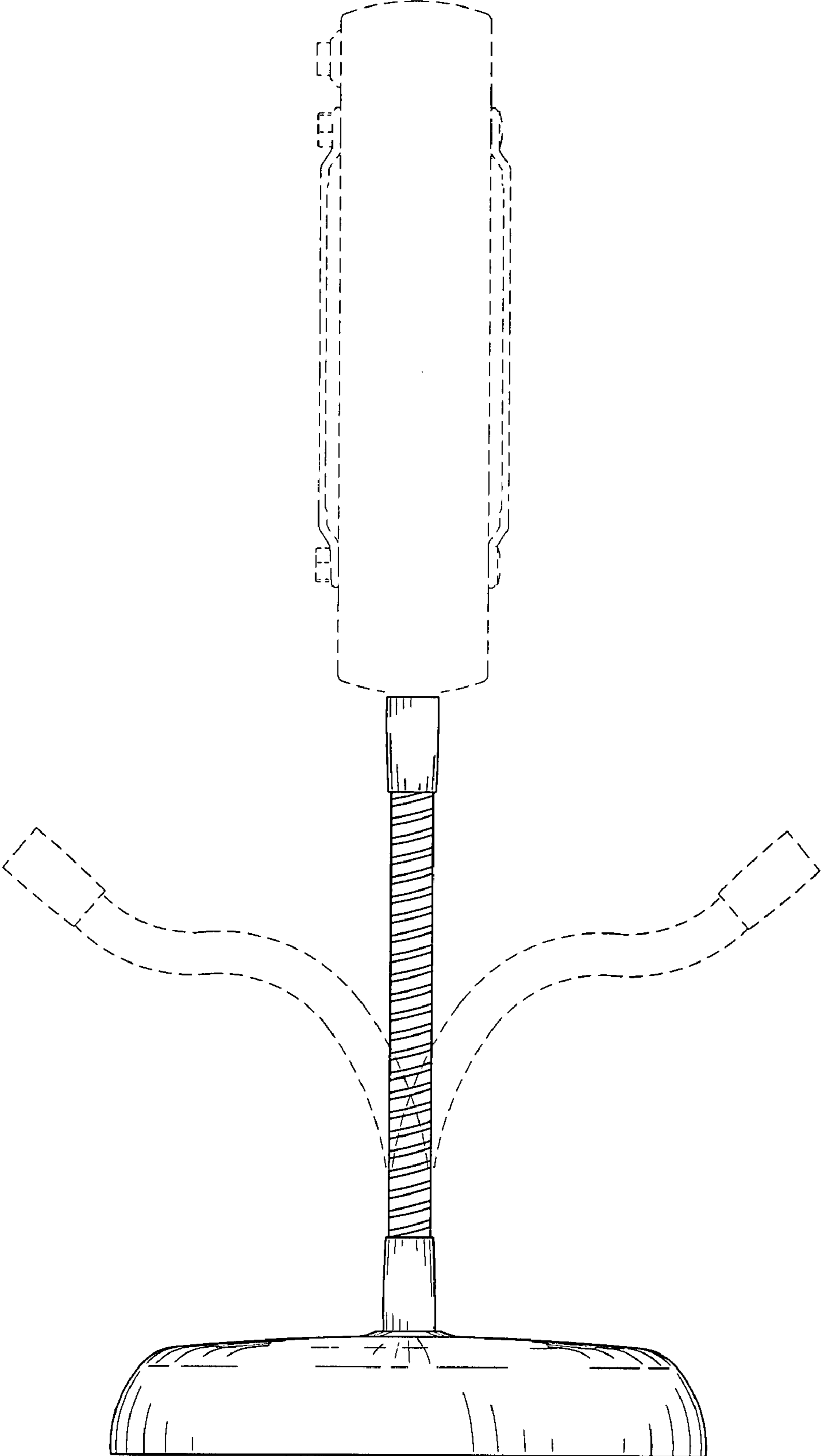


FIG. 5



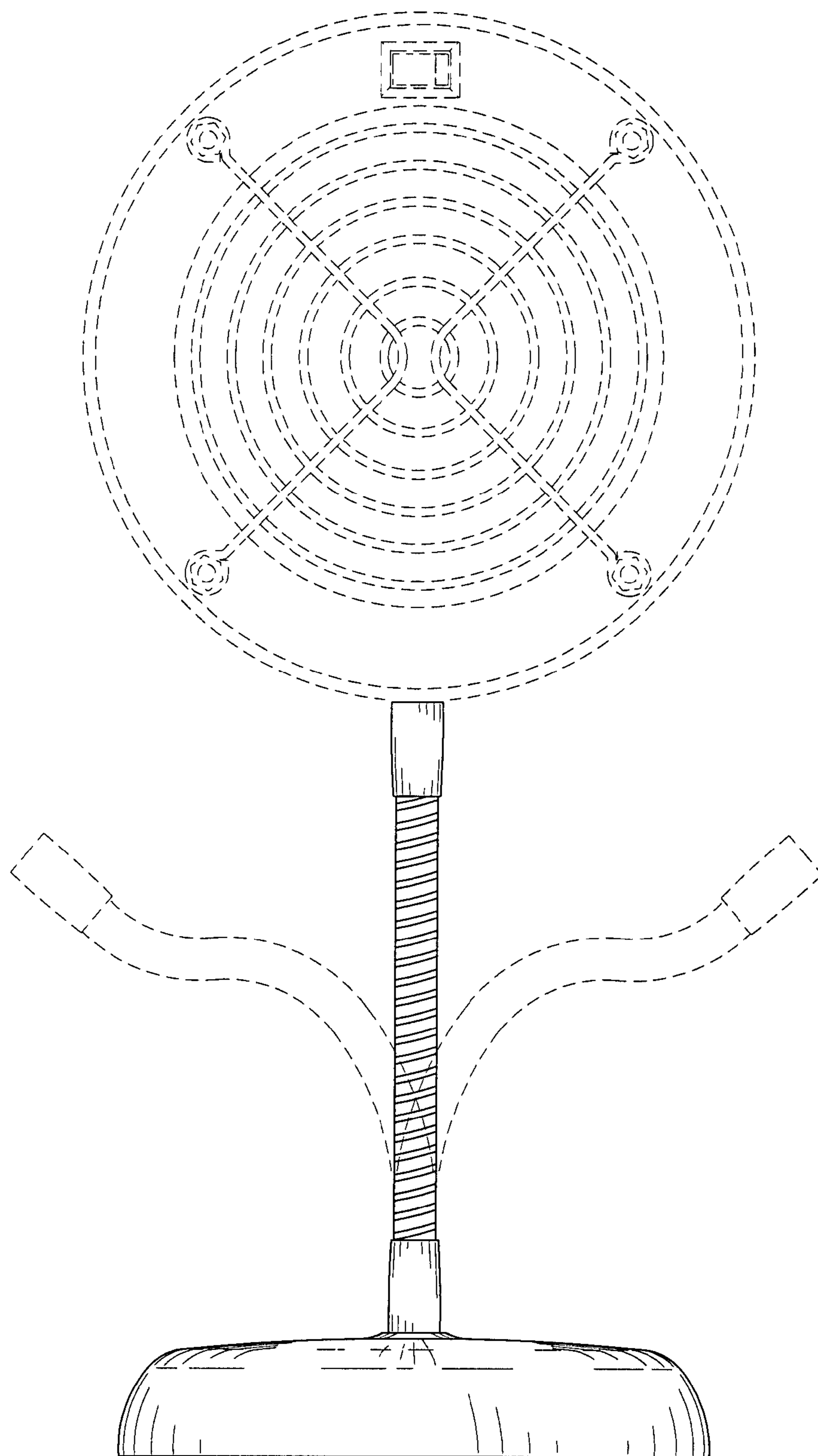


FIG. 6

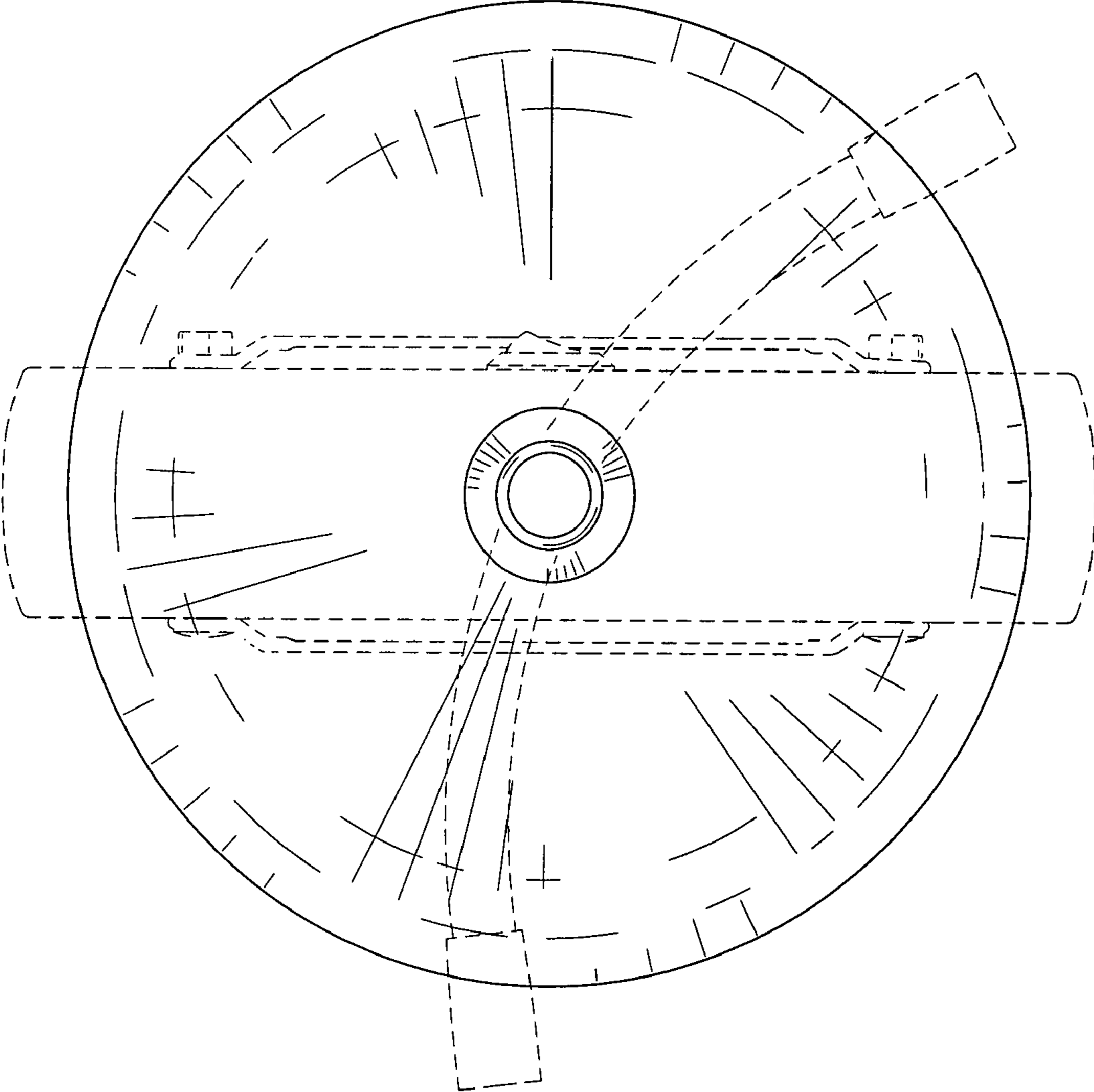


FIG. 7