

US00D569494S

(12) **United States Design Patent**  
**Pan**

(10) **Patent No.:** **US D569,494 S**

(45) **Date of Patent:** **\*\* May 20, 2008**

(54) **CEILING FAN MOTOR HOUSING**

(74) *Attorney, Agent, or Firm*—Ming Chow; Sinorica, LLC

(75) **Inventor:** **Peter Pan**, Shetzu (TW)

(57) **CLAIM**

(73) **Assignee:** **Air Cool Industrial Co., Ltd.**,  
Taichung County (TW)

I claim the ornamental design for a ceiling fan motor housing, as shown and described.

(\*\*) **Term:** **14 Years**

**DESCRIPTION**

(21) **Appl. No.:** **29/274,446**

FIG. 1 is a front perspective view of a ceiling fan motor housing showing my new design;

(22) **Filed:** **Apr. 24, 2007**

FIG. 2 is a front elevational view thereof;

(51) **LOC (8) Cl.** ..... **23-04**

FIG. 3 is a rear elevational view thereof.

(52) **U.S. Cl.** ..... **D23/411**

FIG. 4 is a left side elevational view thereof;

(58) **Field of Classification Search** ..... D23/377,  
D23/379, 385, 411, 413; 416/5

FIG. 5 is a right side elevational view thereof;

See application file for complete search history.

FIG. 6 is a top plan view thereof;

(56) **References Cited**

FIG. 7 is a bottom plan view thereof; and,

**U.S. PATENT DOCUMENTS**

FIG. 8 is a front end view of the ceiling fan motor housing in accordance with my design, shown in its environment.

D418,914 S \* 1/2000 Zuege ..... D23/411

The broken line showing of the ceiling fan blades, blade irons and light fixture is included for the purpose of illustrating environmental structure and forms no part of the claimed design.

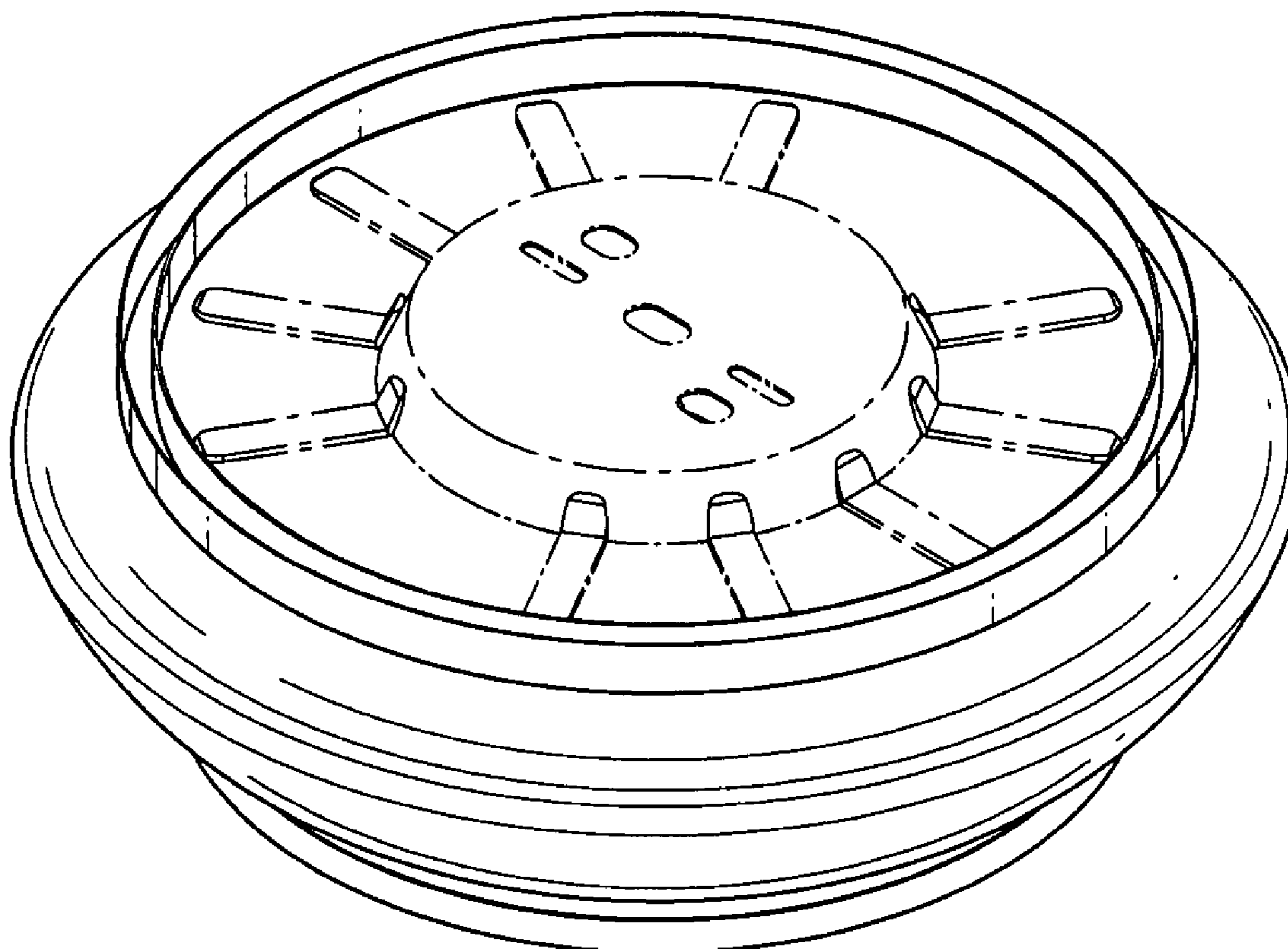
D452,309 S \* 12/2001 Dolan ..... D23/411

D538,923 S \* 3/2007 Cox ..... D23/411

\* cited by examiner

*Primary Examiner*—Lisa Lichtenstein

**1 Claim, 6 Drawing Sheets**



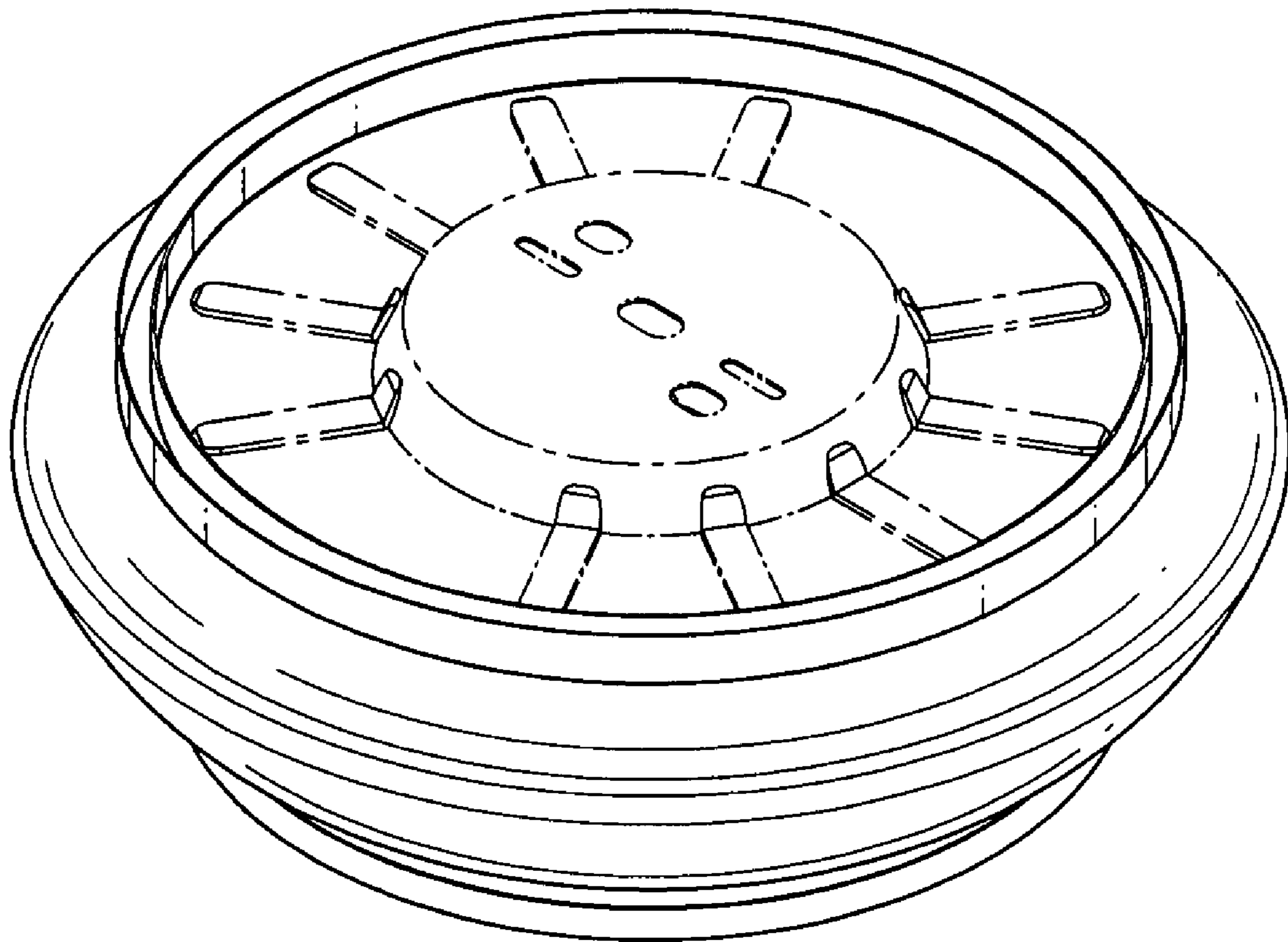


FIG. 1

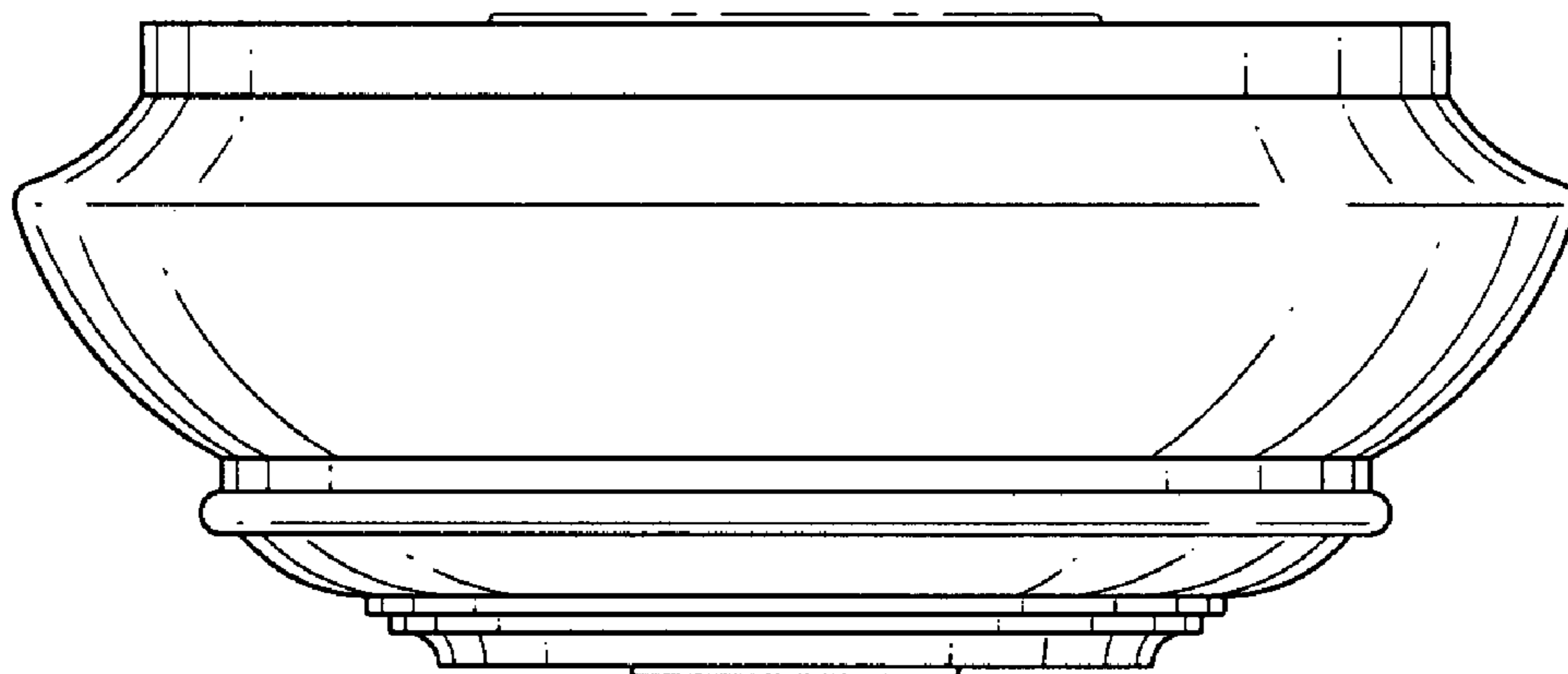


FIG. 2

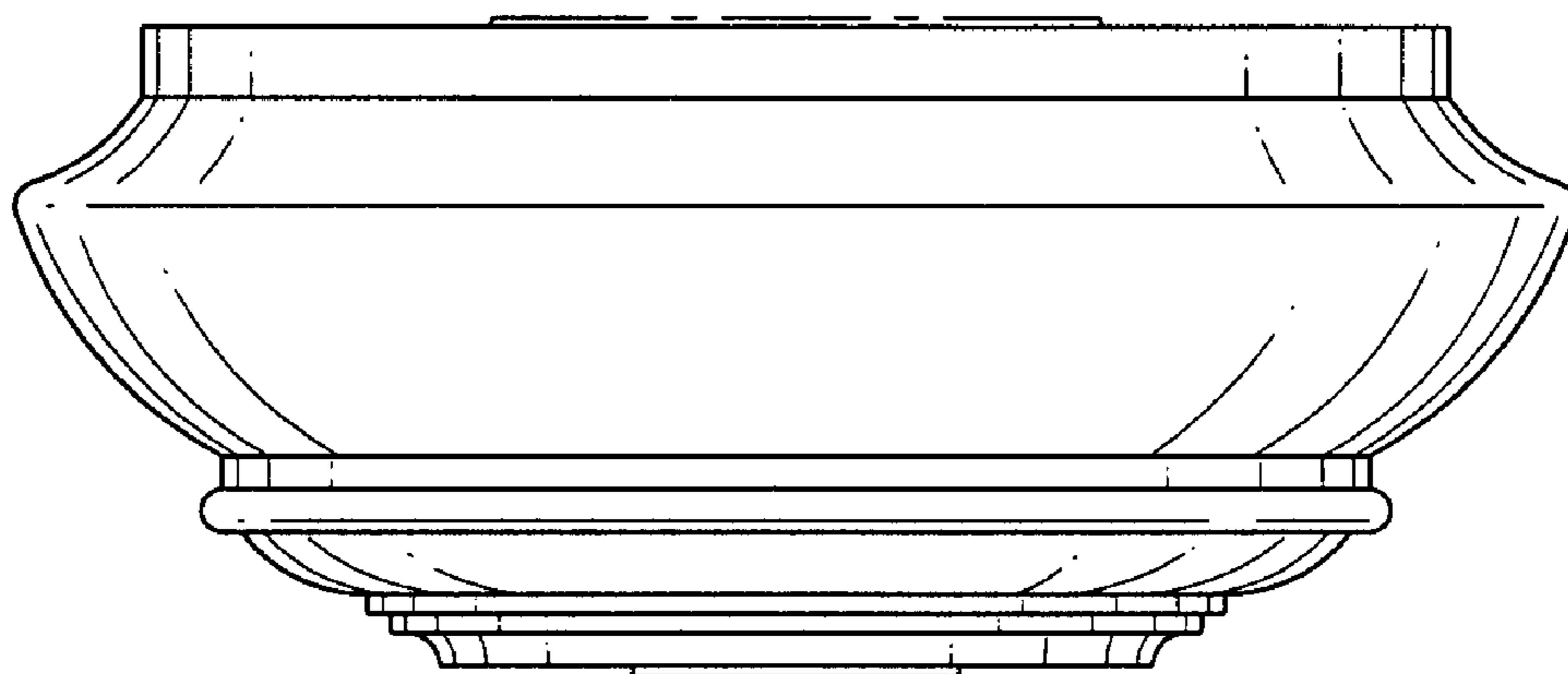


FIG. 3

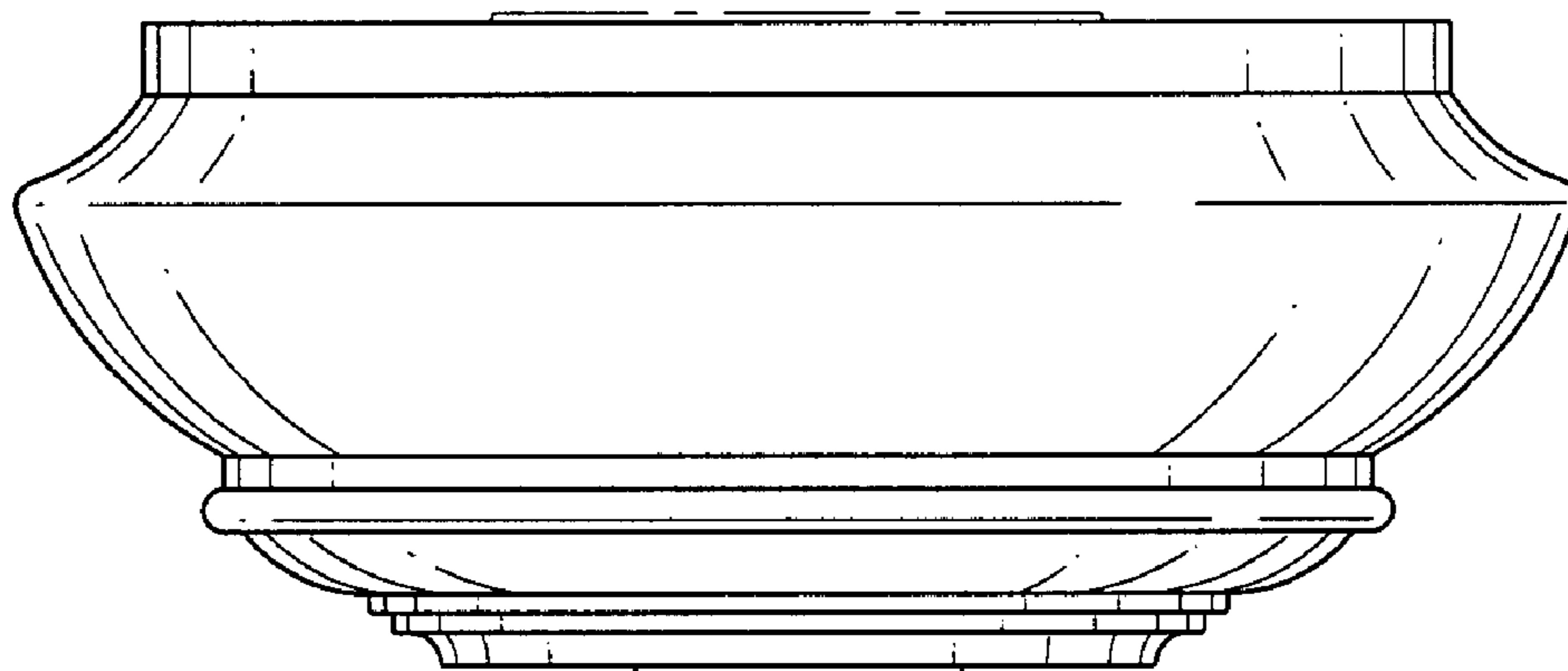


FIG. 4

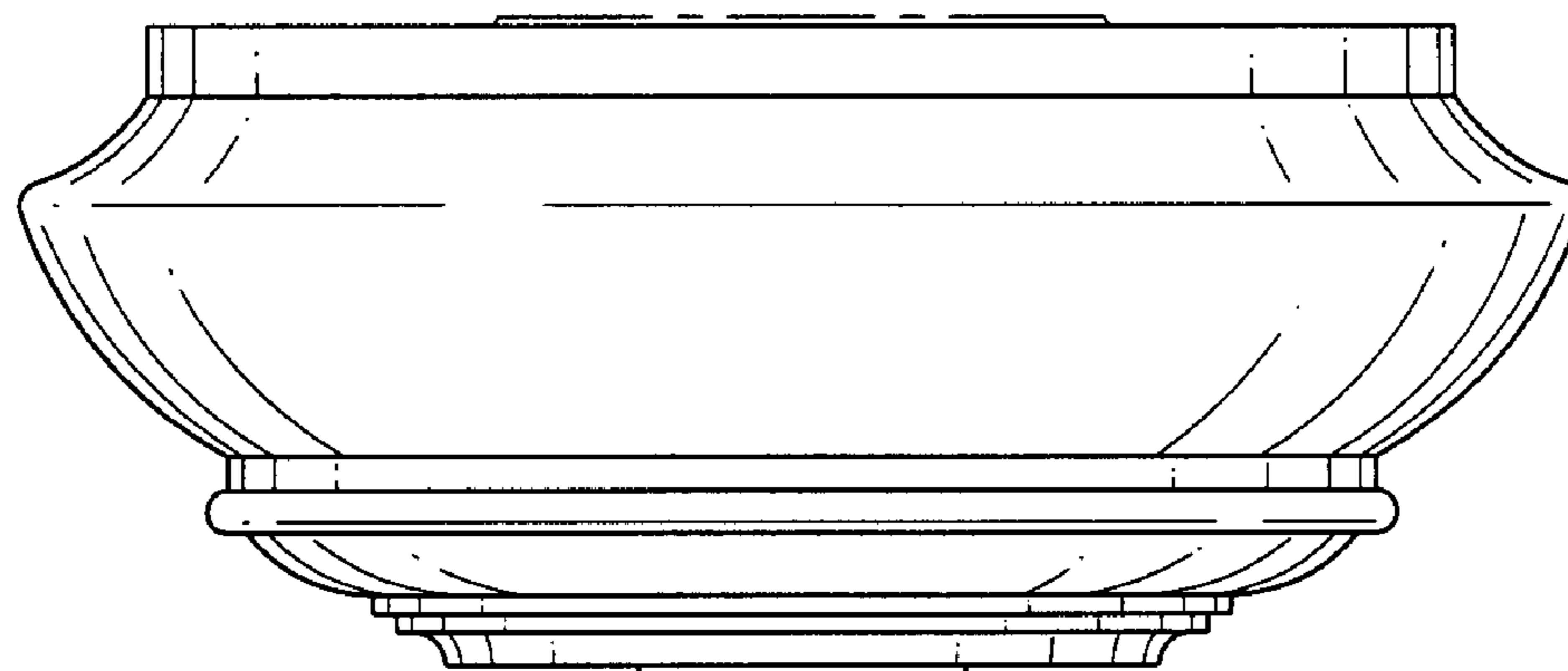


FIG. 5

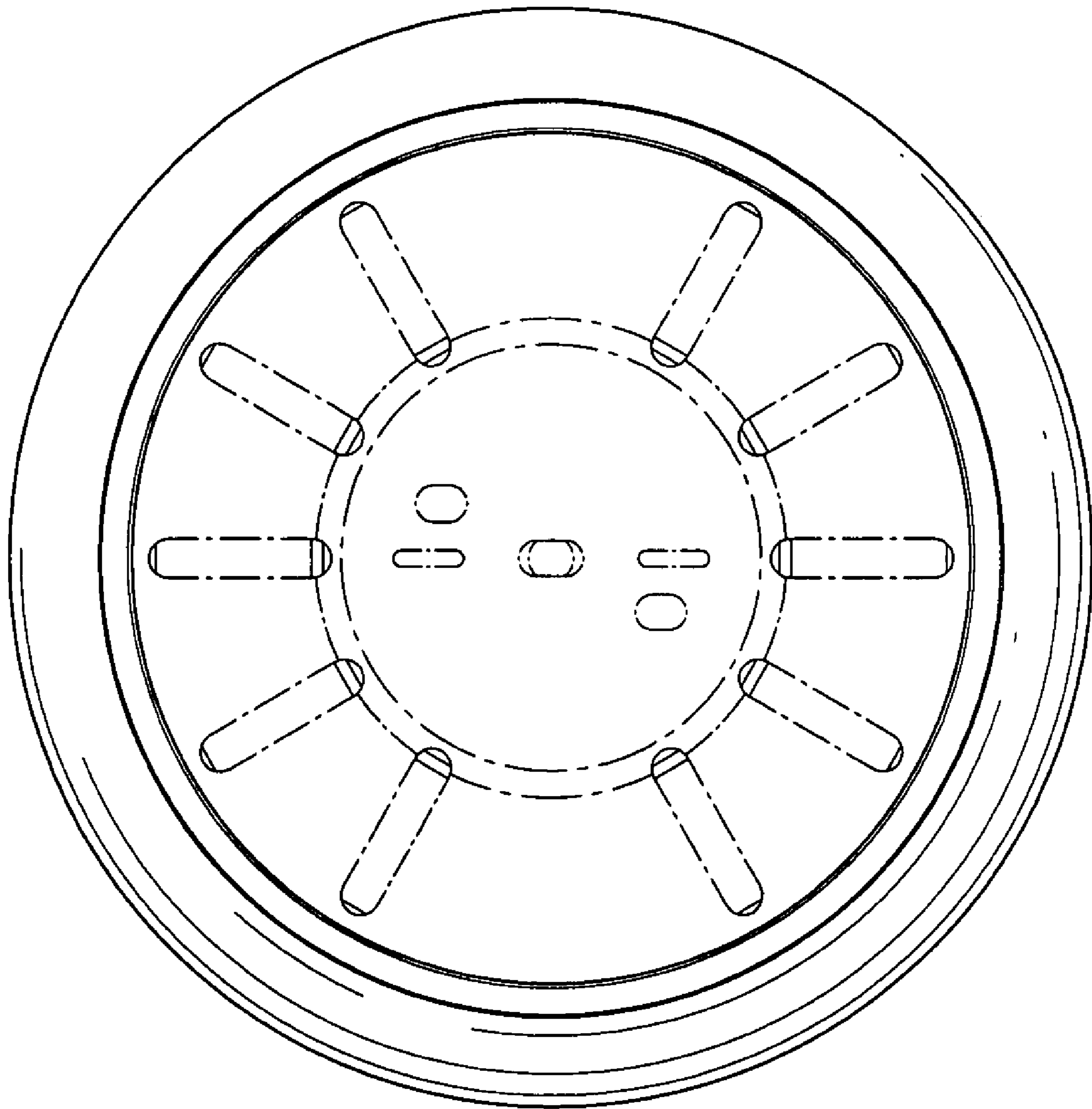


FIG. 6

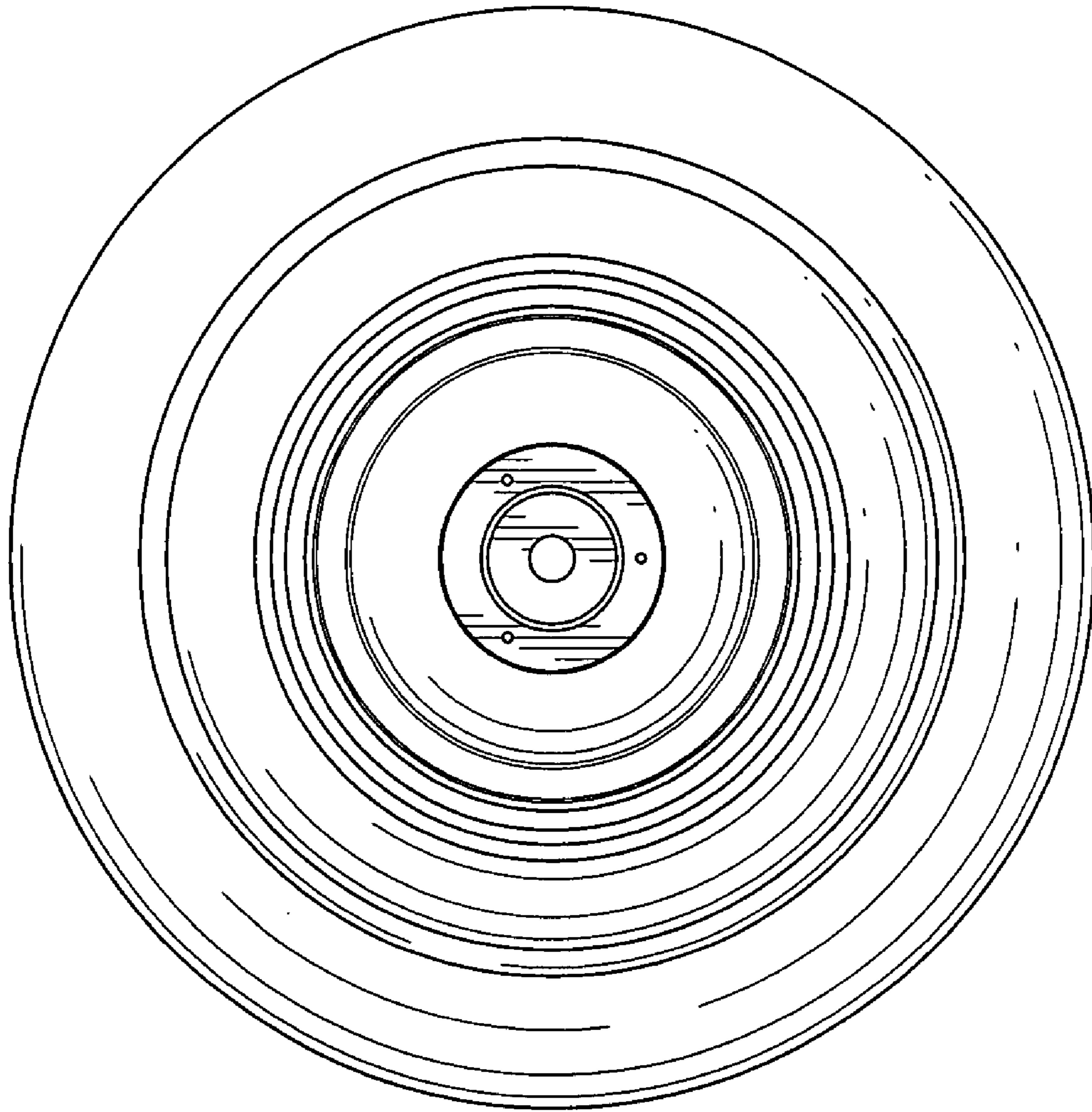


FIG. 7

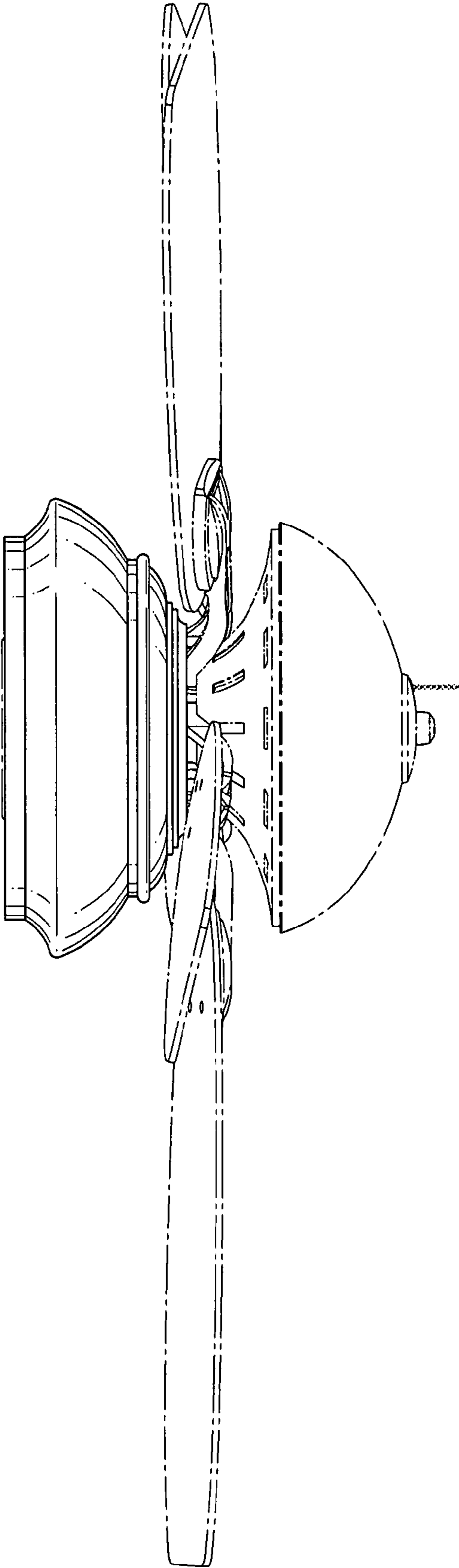


FIG. 8