



US00D569491S

(12) **United States Design Patent**  
**DeForte**

(10) **Patent No.:** **US D569,491 S**

(45) **Date of Patent:** **\*\* May 20, 2008**

(54) **INTERCONNECTING MUFFLE**

4,213,753 A \* 7/1980 Negroni et al. .... 432/247  
5,577,157 A \* 11/1996 Sopori ..... 392/416  
6,392,203 B1 \* 5/2002 Schmidmayer ..... 219/405

(75) Inventor: **Robert L. DeForte**, Leominster, MA  
(US)

\* cited by examiner

(73) Assignee: **Saint-Gobain Ceramics & Plastics, Inc.**, Worcester, MA (US)

*Primary Examiner*—Louis S Zarfaz  
*Assistant Examiner*—David G Muller

(\*\*) Term: **14 Years**

(74) *Attorney, Agent, or Firm*—Robert T. Conway

(21) Appl. No.: **29/289,033**

(57) **CLAIM**

(22) Filed: **Jul. 2, 2007**

The ornamental design for an interconnecting muffle, as shown and described.

(51) **LOC (8) Cl.** ..... **23-03**

(52) **U.S. Cl.** ..... **D23/386**

(58) **Field of Classification Search** ..... D23/365,  
D23/363, 358, 386, 354, 341, 393, 422, 499;  
55/502, 497, 506, 505, 521, 503, 498, DIG. 30;  
D25/119-125; 432/253, 153, 249, 156, 152,  
432/250, 200, 247; 219/90, 405; 392/416  
See application file for complete search history.

**DESCRIPTION**

The article is an interconnecting muffle for holding materials in a high temperature environment.

FIG. 1 is a front view of the interconnecting muffle embodying my new design;

FIG. 2 is a back view thereof;

FIG. 3 is a side view thereof, the opposite side being a mirror image;

FIG. 4 is a top view thereof, the opposite side being a mirror image; and

FIG. 5 is a perspective view thereof.

FIG. 6 is a front view of another embodiment of the interconnecting muffle;

FIG. 7 is a back view thereof; and,

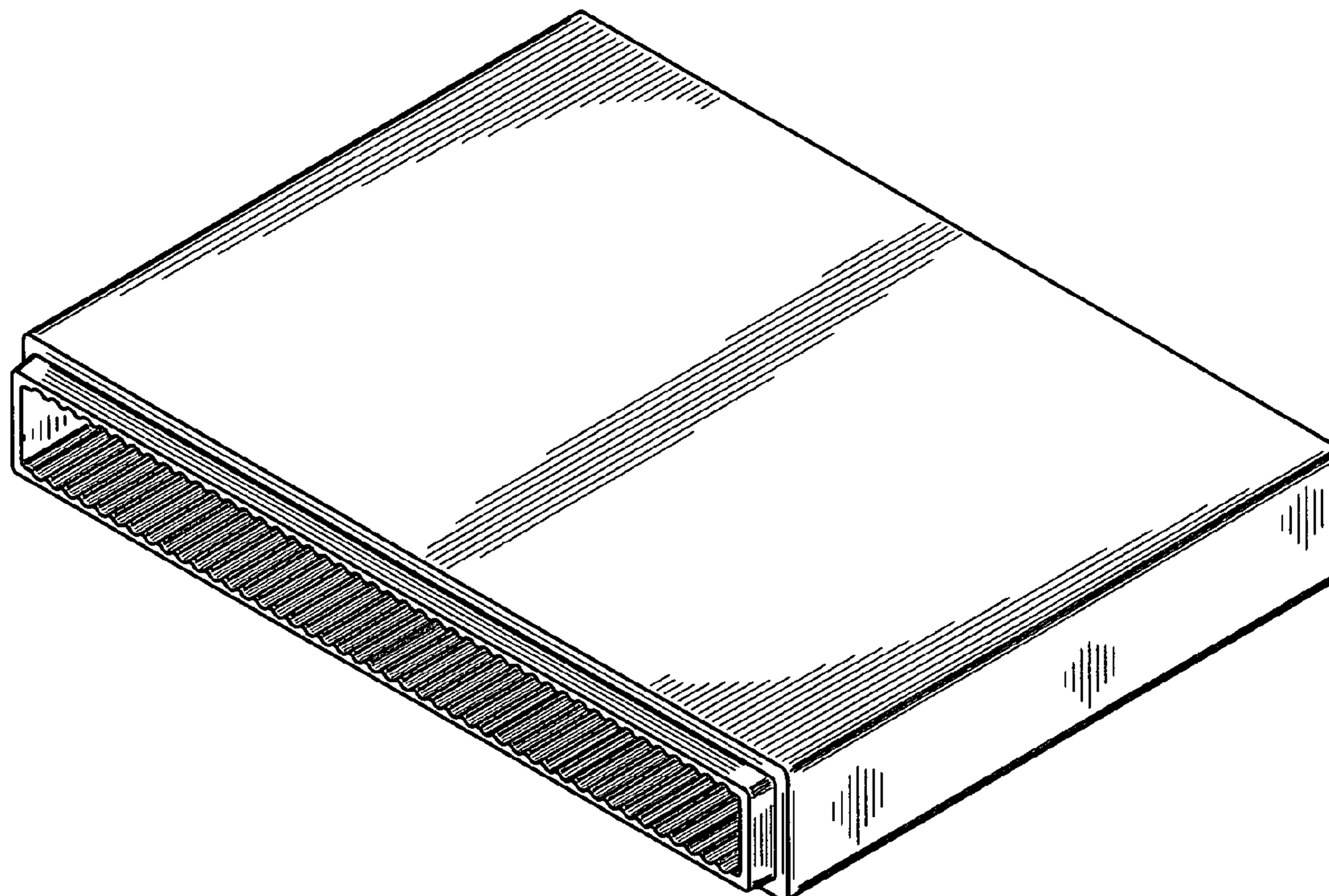
FIG. 8 is a perspective view thereof.

(56) **References Cited**

U.S. PATENT DOCUMENTS

1,661,309 A \* 3/1928 Saxe ..... 432/249  
2,381,538 A \* 8/1945 Harris ..... 432/249  
2,383,353 A \* 8/1945 Steele ..... 432/156  
2,849,222 A \* 8/1958 Senger ..... 432/249  
3,582,054 A \* 6/1971 Beck ..... 432/153  
3,621,169 A \* 11/1971 Heft et al. .... 218/152  
3,749,882 A \* 7/1973 Pilkington et al. .... 219/390  
3,859,041 A \* 1/1975 Winslow ..... 432/250  
3,980,028 A \* 9/1976 Ginsburg ..... 432/250  
4,032,290 A \* 6/1977 Soderlund et al. .... 432/200

**1 Claim, 3 Drawing Sheets**



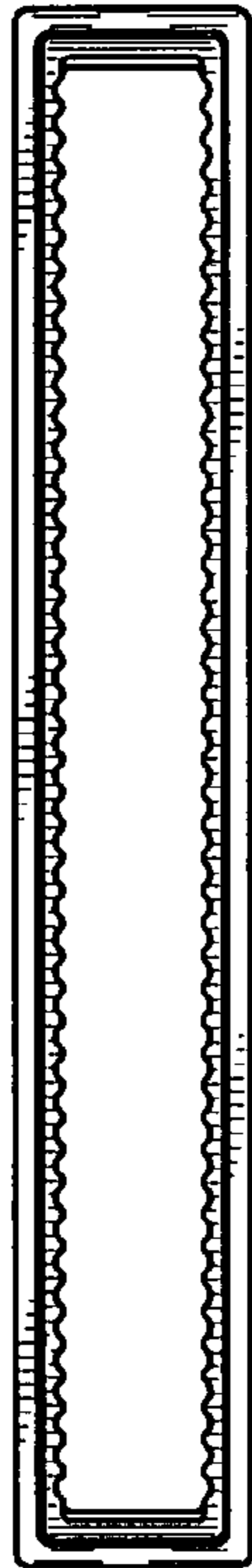


FIG. 1

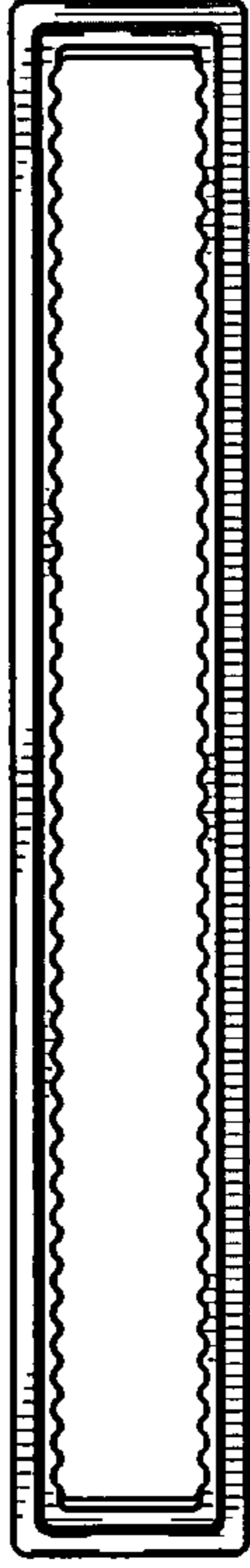


FIG. 2



FIG. 3

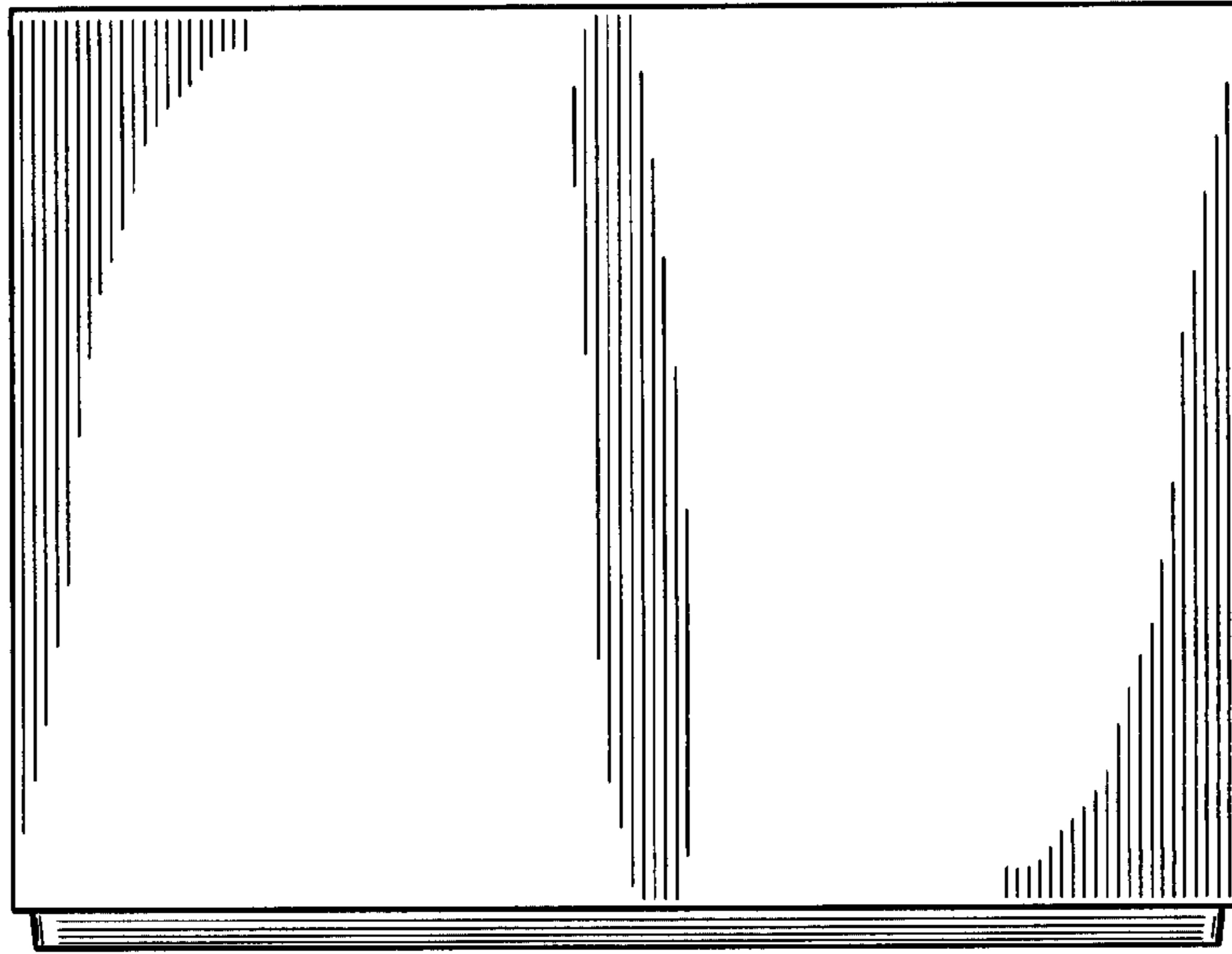


FIG. 4

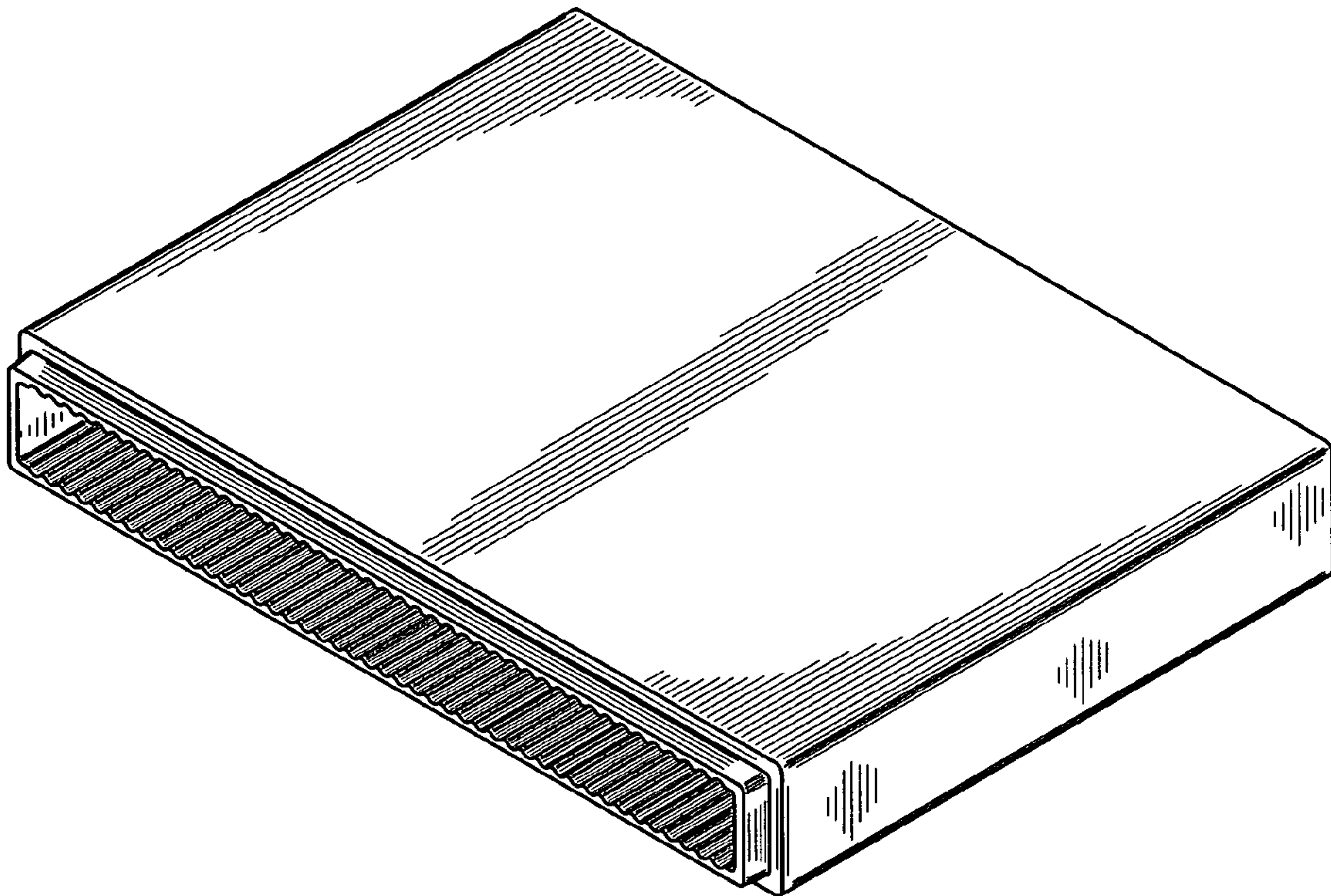


FIG. 5

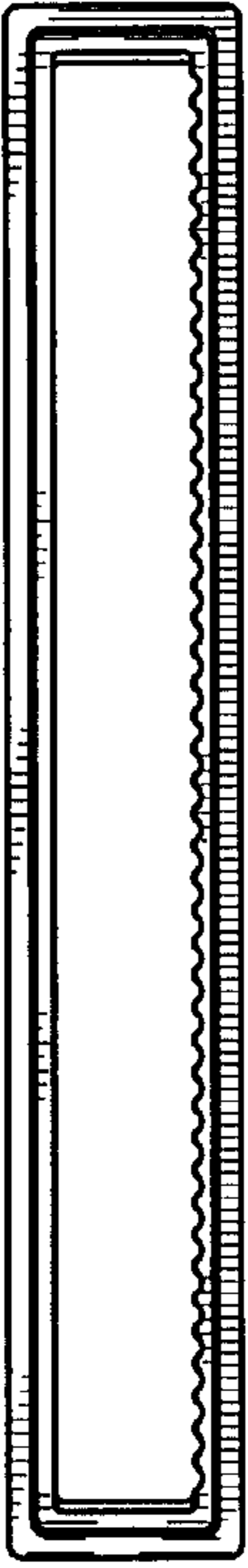


FIG. 6

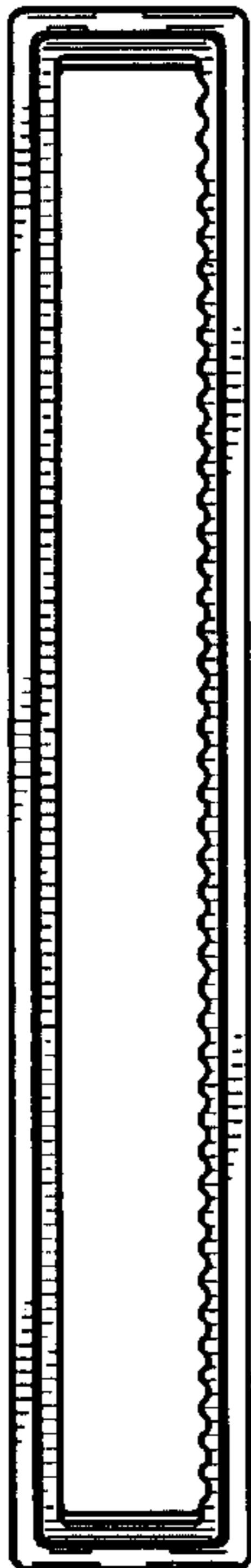


FIG. 7

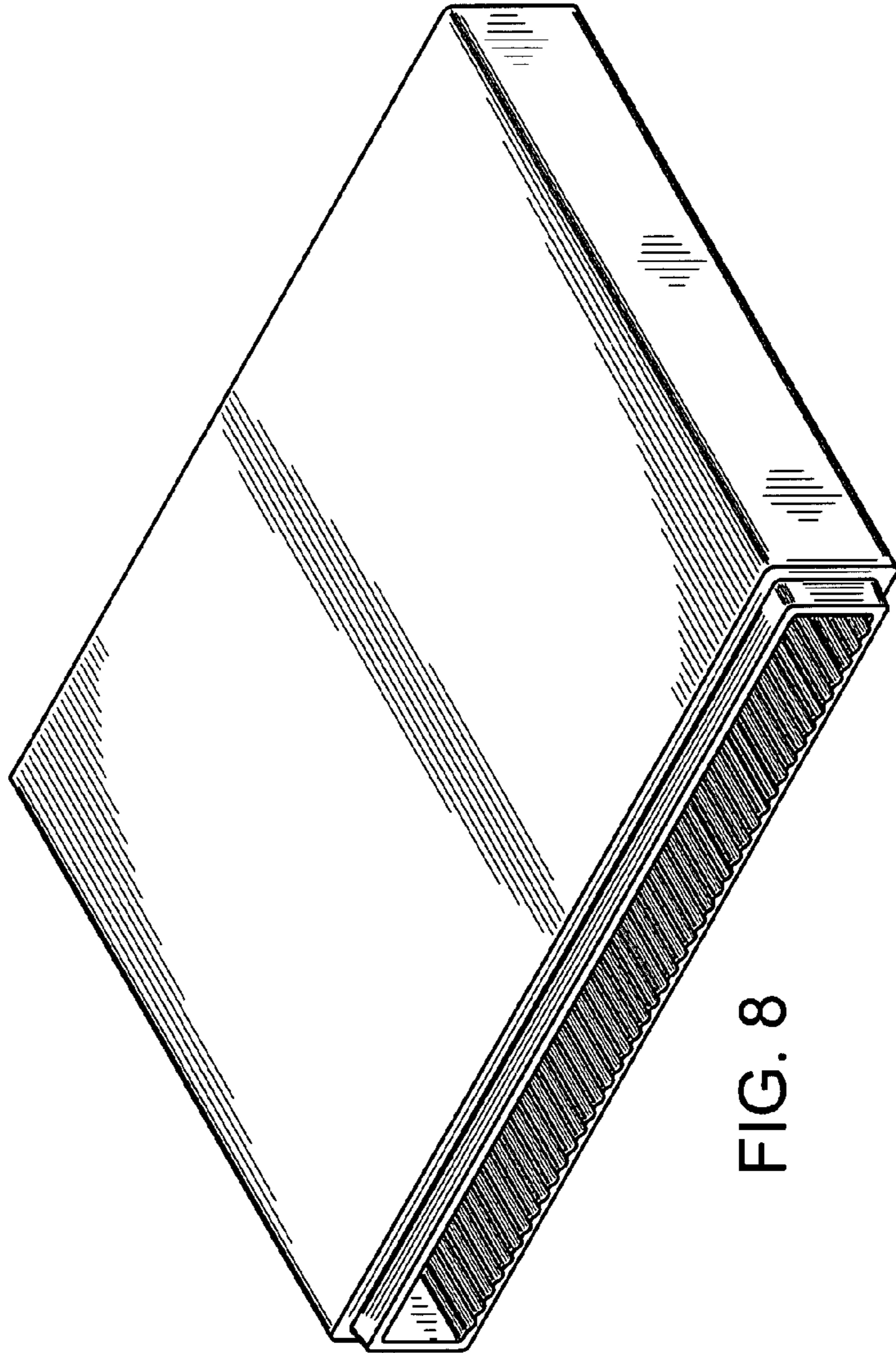


FIG. 8