



US00D569490S

(12) **United States Design Patent**
Tomion

(10) **Patent No.:** **US D569,490 S**

(45) **Date of Patent:** **** May 20, 2008**

(54) **AEROTURBINE**

6,870,280 B2 3/2005 Pechler
7,083,382 B2 8/2006 Ursua

(76) **Inventor:** **Mark R. Tomion**, 2938 Ferguson
Corners Rd., Geneva, NY (US) 14456

Primary Examiner—Lisa Lichtenstein
(74) *Attorney, Agent, or Firm*—Stephen B. Salai; Brian B.
Shaw; Harter Secrest & Emery LLP

(**) **Term:** **14 Years**

(21) **Appl. No.:** **29/257,591**

(57) **CLAIM**

(22) **Filed:** **Apr. 6, 2006**

The ornamental design for an aeroturbine, substantially as
shown and described.

(51) **LOC (8) Cl.** **23-04**

(52) **U.S. Cl.** **D23/375**

(58) **Field of Classification Search** D23/375,
D23/370; D15/1; 290/55, 44
See application file for complete search history.

DESCRIPTION

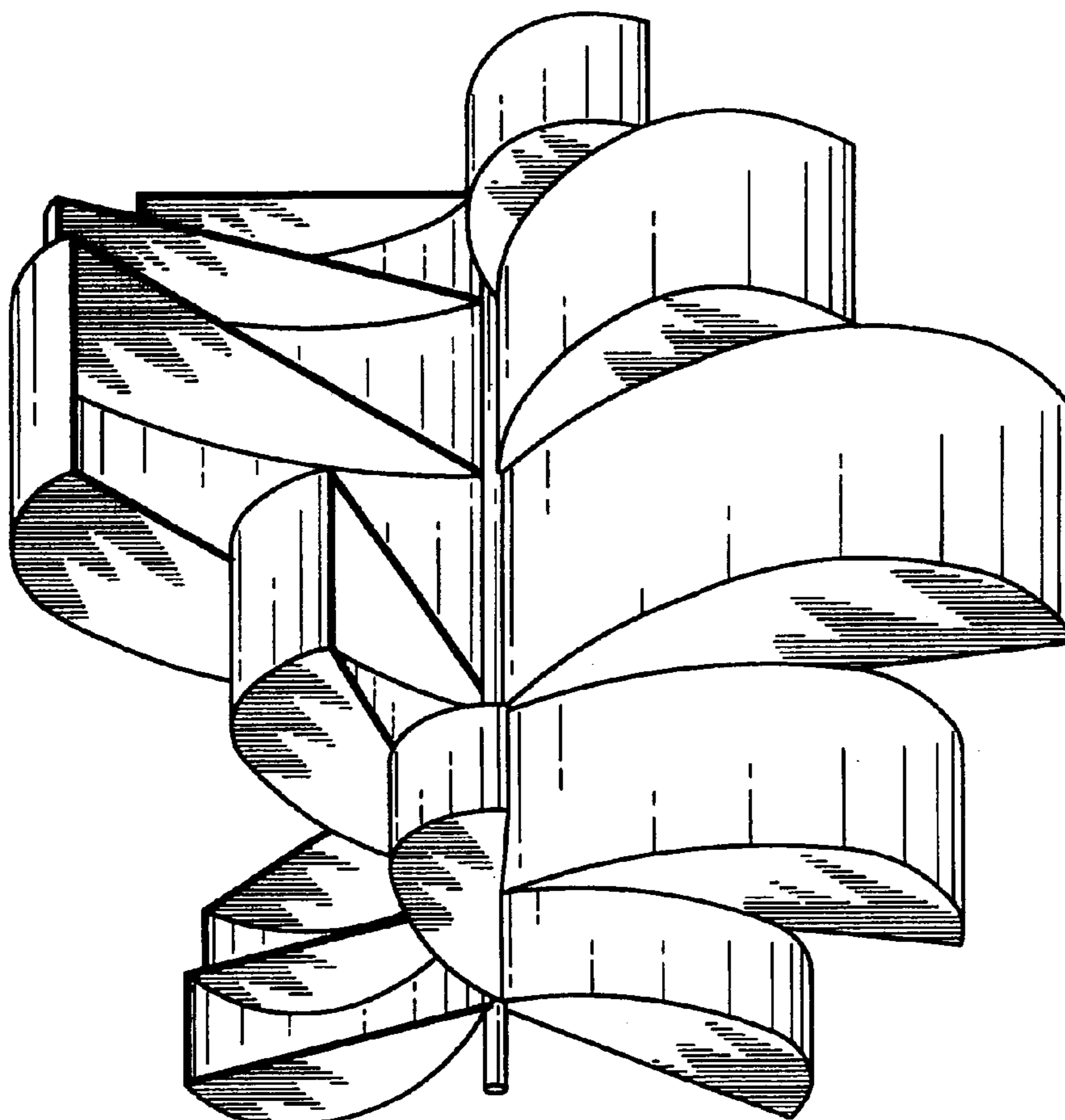
FIG. 1 is a bottom front perspective view of an aeroturbine
in accordance with my new design;
FIG. 2 is a top plan view thereof;
FIG. 3 is a front elevation thereof;
FIG. 4 is a left side view thereof;
FIG. 5 is a rear elevation thereof;
FIG. 6 is a right side view thereof; and,
FIG. 7 is a bottom plan view.

(56) **References Cited**

U.S. PATENT DOCUMENTS

D252,572 S	8/1979	Hanson
D252,877 S	9/1979	Hanson
4,245,958 A	1/1981	Ewers
6,465,899 B2	10/2002	Roberts
6,740,989 B2	5/2004	Rowe

1 Claim, 7 Drawing Sheets



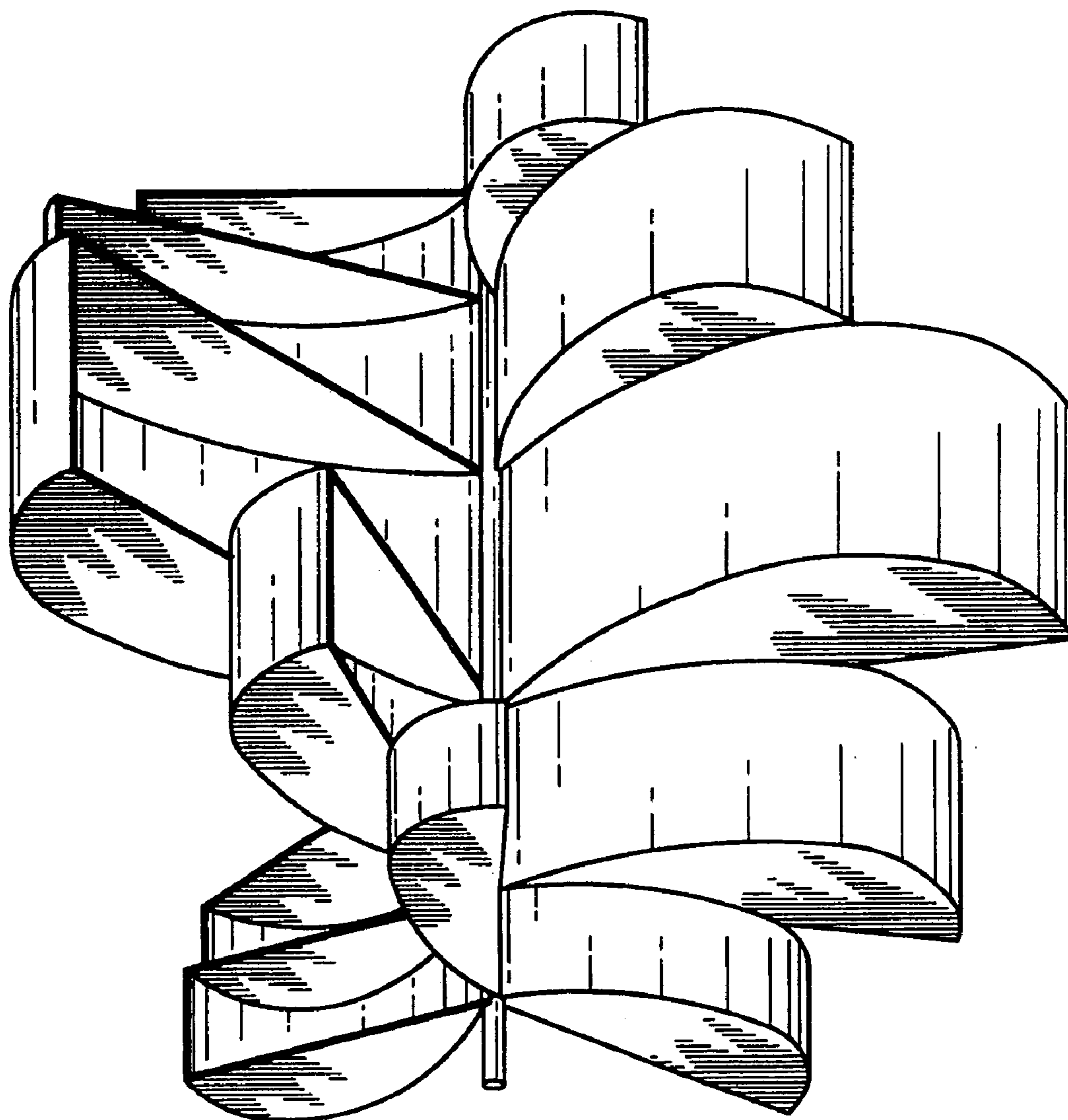


Fig. 1

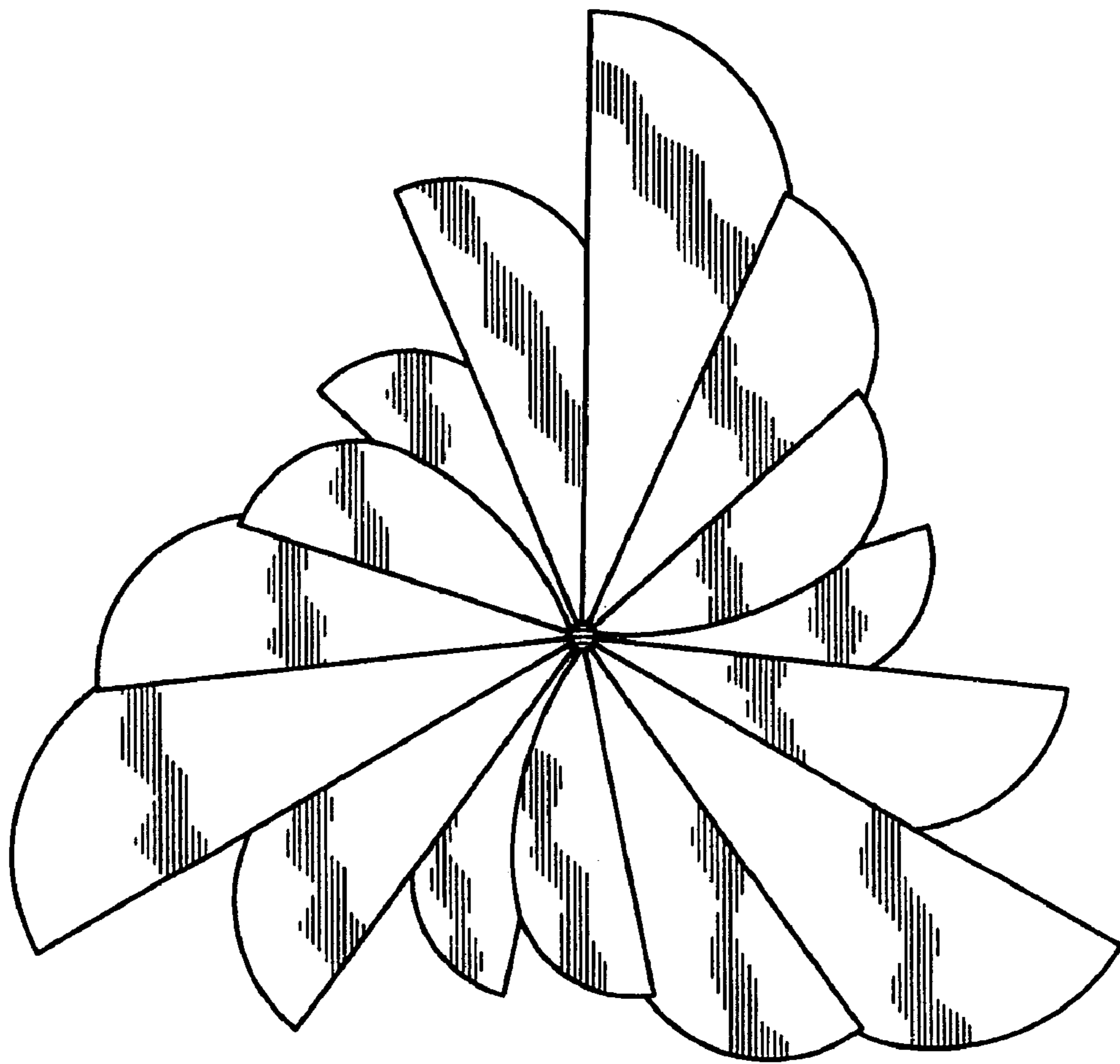


Fig. 2

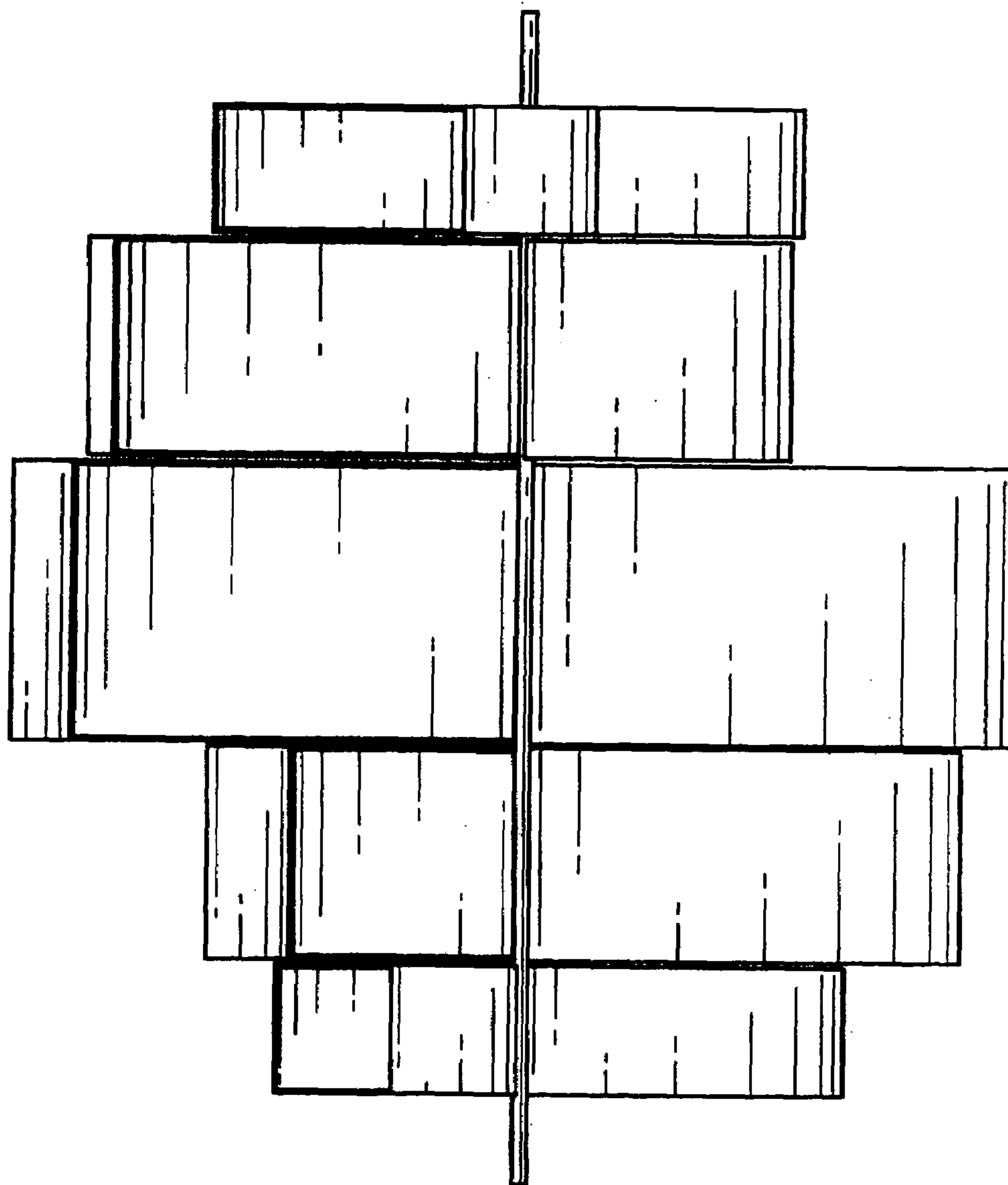


Fig. 3

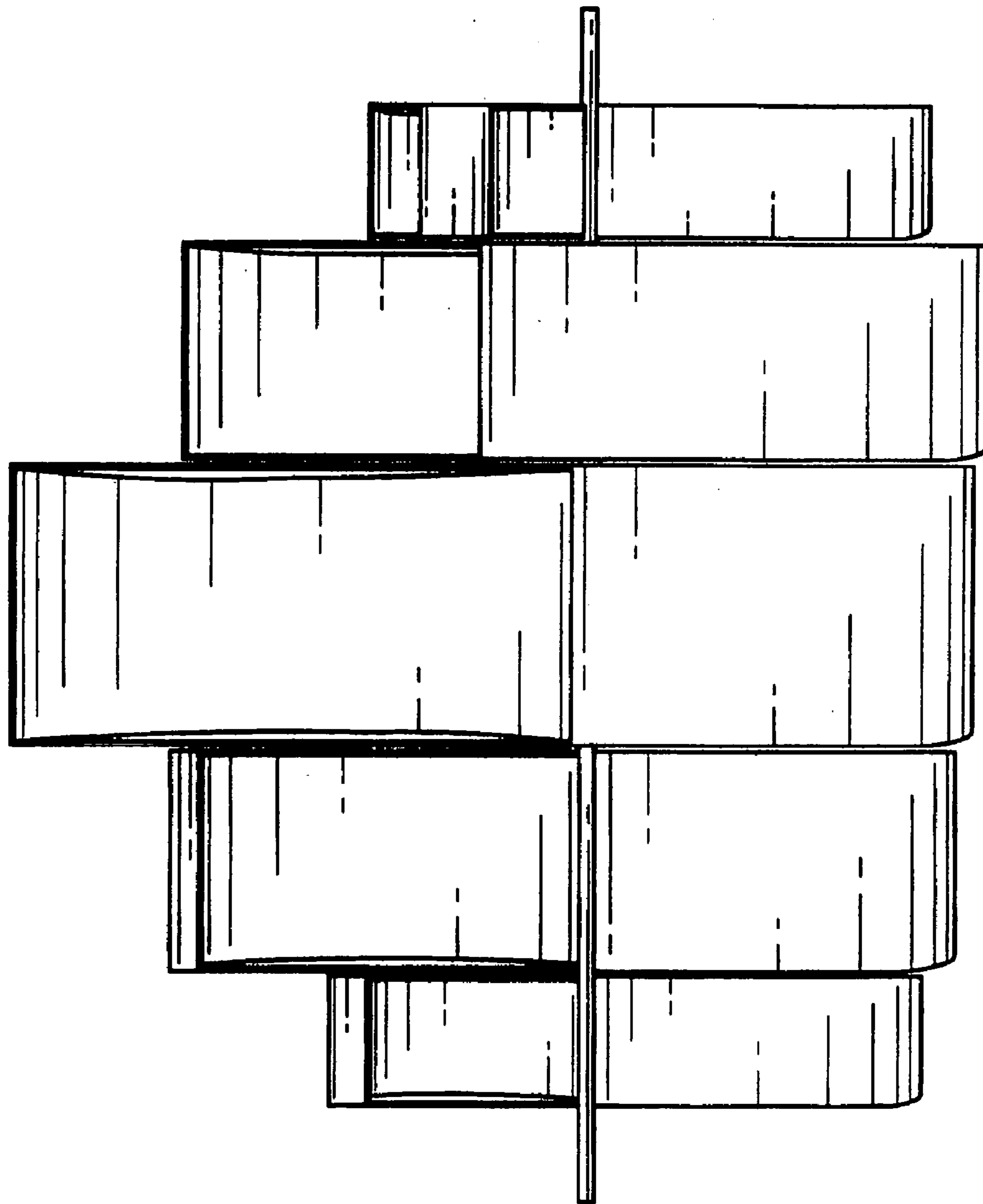


Fig. 4

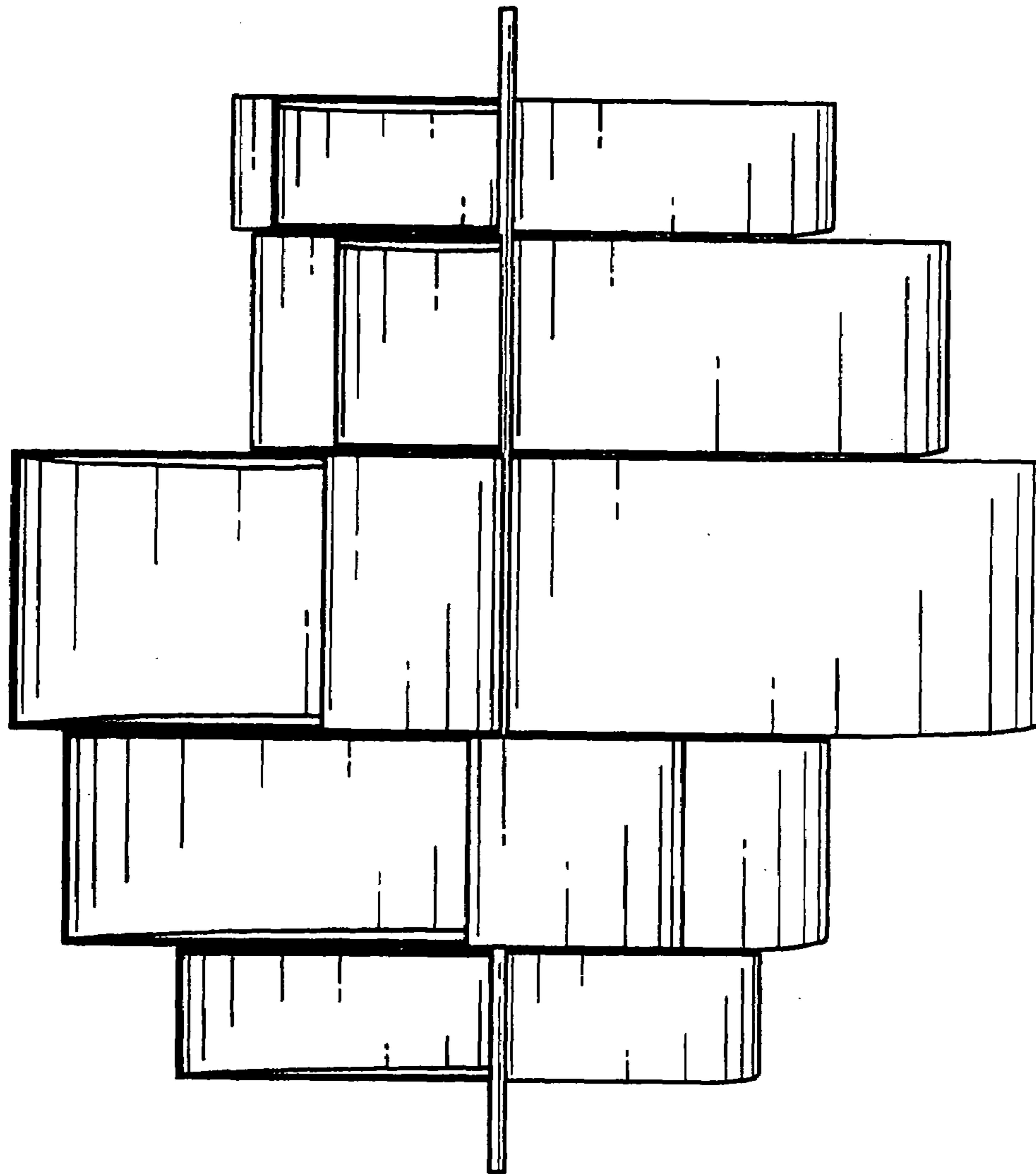


Fig. 5

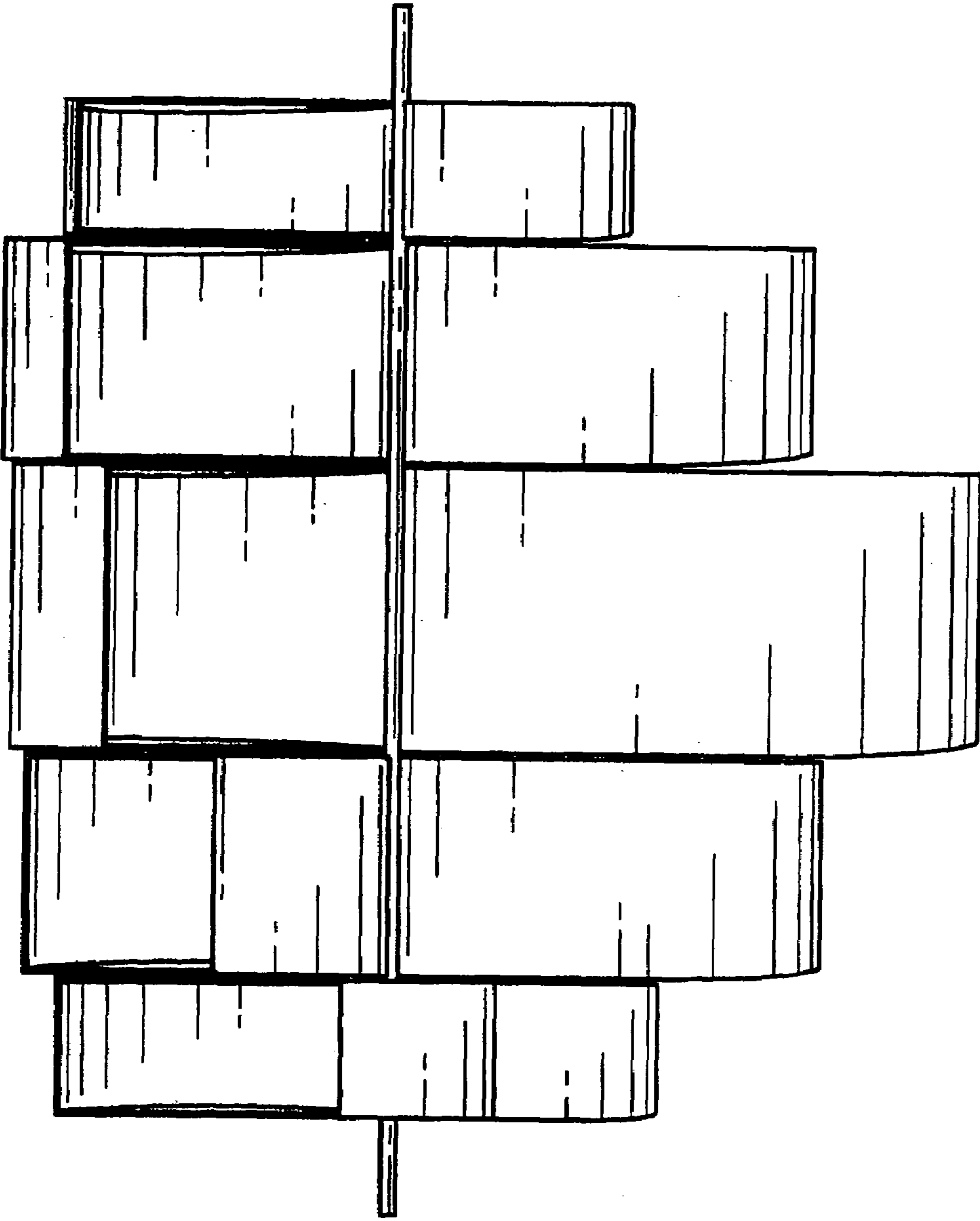


Fig. 6

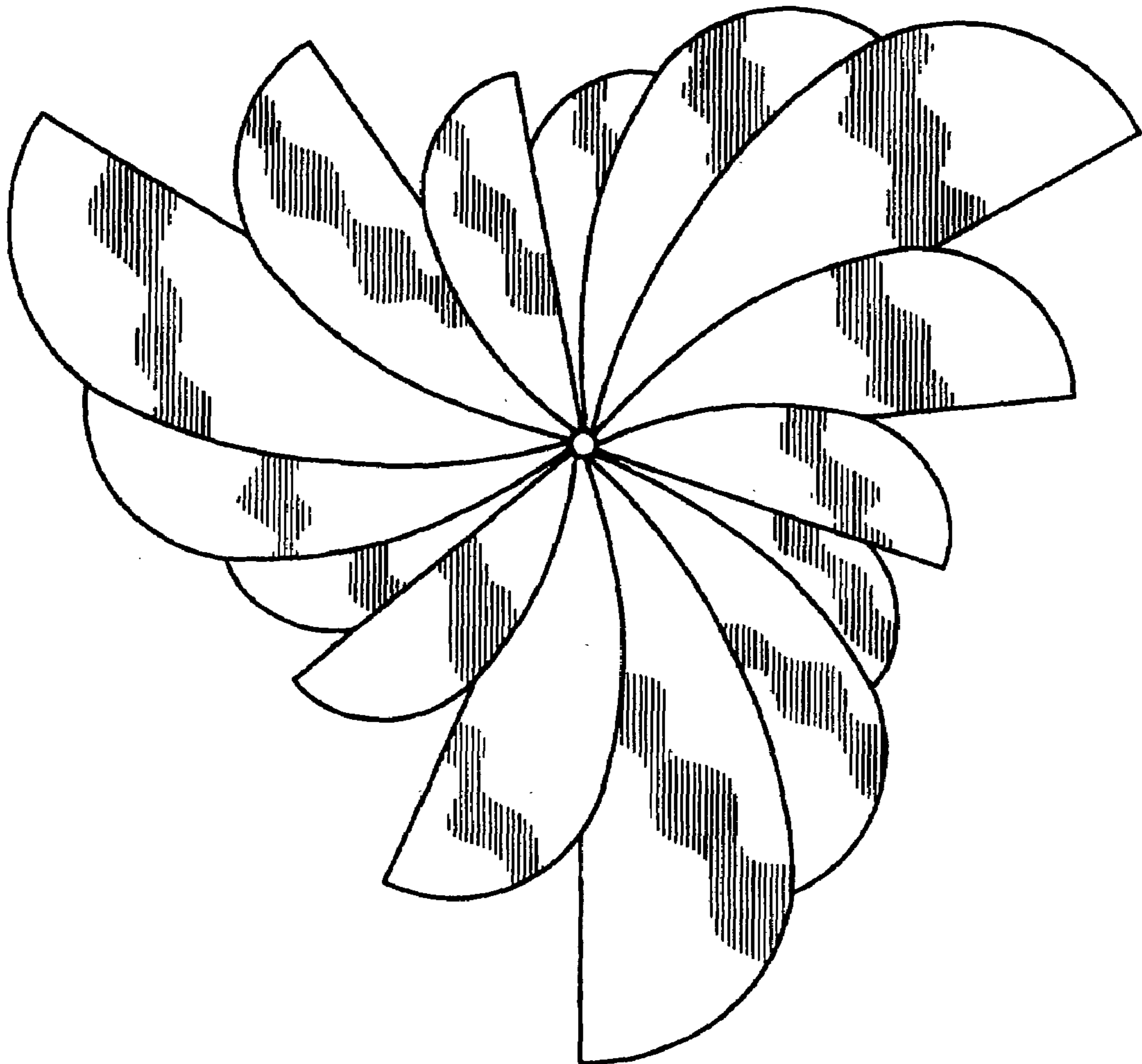


Fig. 7