



US00D569486S

(12) **United States Design Patent**
Fritz et al.

(10) **Patent No.:** **US D569,486 S**

(45) **Date of Patent:** **** May 20, 2008**

(54) **FAUCET ASSEMBLY**

(75) Inventors: **Seth A. Fritz**, Indianapolis, IN (US);
Dominic Daunter, Howell, MI (US);
Daniel Genord, South Lyon, MI (US)

(73) Assignee: **Masco Corporation of Indiana**,
Indianapolis, IN (US)

(**) Term: **14 Years**

(21) Appl. No.: **29/280,745**

(22) Filed: **Jun. 6, 2007**

(51) **LOC (8) Cl.** **23-01**

(52) **U.S. Cl.** **D23/241**

(58) **Field of Classification Search** D23/200,
D23/238-257; D6/512, 546, 550; D8/300,
D8/307-308, 310-312, 321; 4/675-678;
137/801; 16/110.1, 441

See application file for complete search history.

(56) **References Cited**

U.S. PATENT DOCUMENTS

D443,031 S *	5/2001	Strader et al.	D23/241
D469,505 S *	1/2003	Marshall	D23/242
D469,506 S *	1/2003	Marshall	D23/242
D472,609 S *	4/2003	Marshall	D23/242
D519,611 S *	4/2006	Fritz	D23/241

D520,604 S *	5/2006	Fritz	D23/241
D521,112 S *	5/2006	Fritz	D23/241
D528,190 S *	9/2006	Fritz et al.	D23/241
D533,636 S *	12/2006	Chu et al.	D23/241

* cited by examiner

Primary Examiner—Robert A. Delehanty

Assistant Examiner—Mark Cavanna

(74) *Attorney, Agent, or Firm*—Leon E. Redman; Lloyd D. Doigan

(57) **CLAIM**

The ornamental design for a faucet assembly, as shown and described.

DESCRIPTION

FIG. 1 is a front perspective view of a faucet assembly showing our new design;

FIG. 2 is a rear elevational view thereof;

FIG. 3 is a front elevational view thereof;

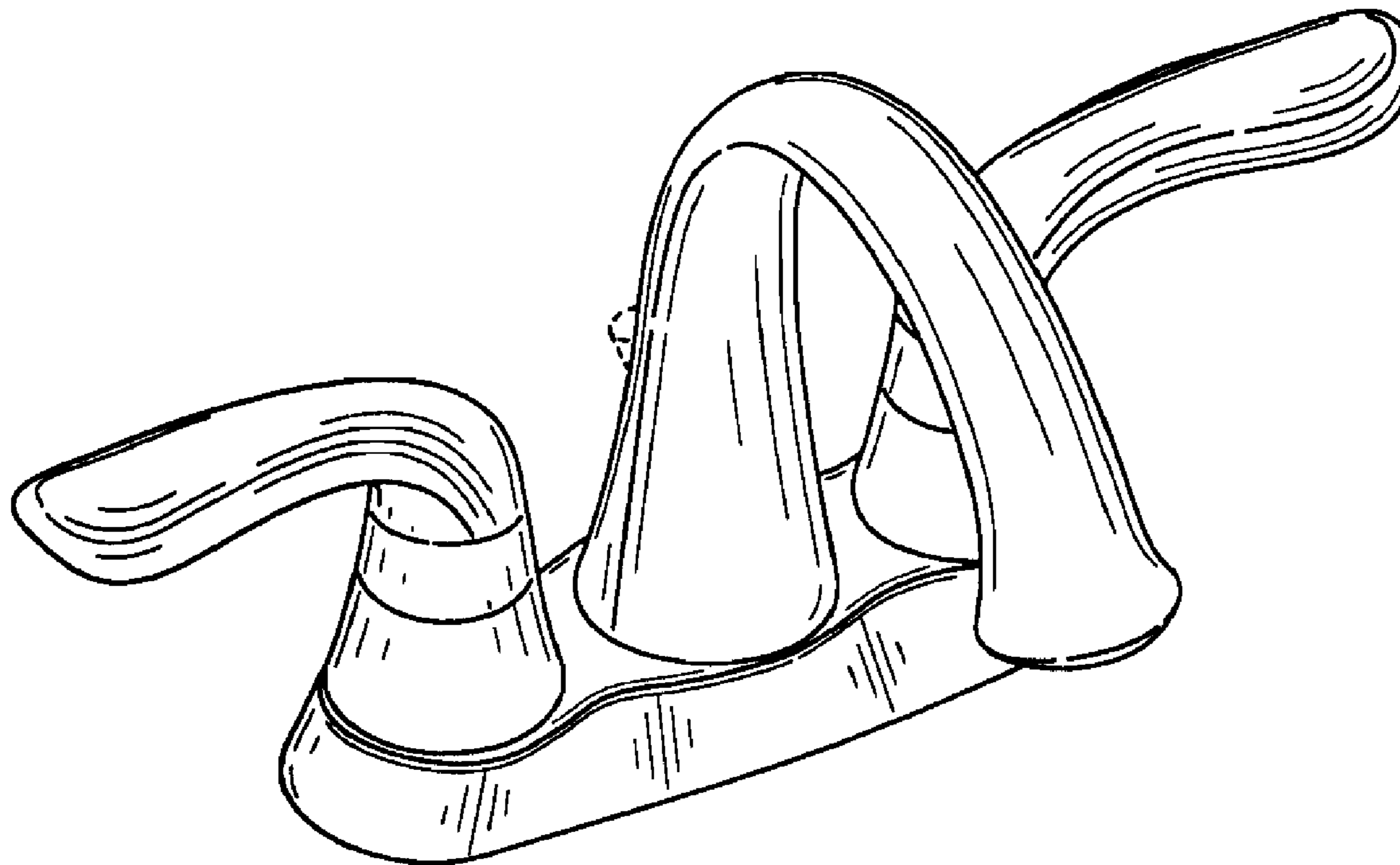
FIG. 4 is a right side elevational view thereof;

FIG. 5 is a left side elevational view thereof; and,

FIG. 6 is a top plan view thereof.

The broken lines in the Figures are for illustrative purposes only and form no part of the claimed design.

1 Claim, 6 Drawing Sheets



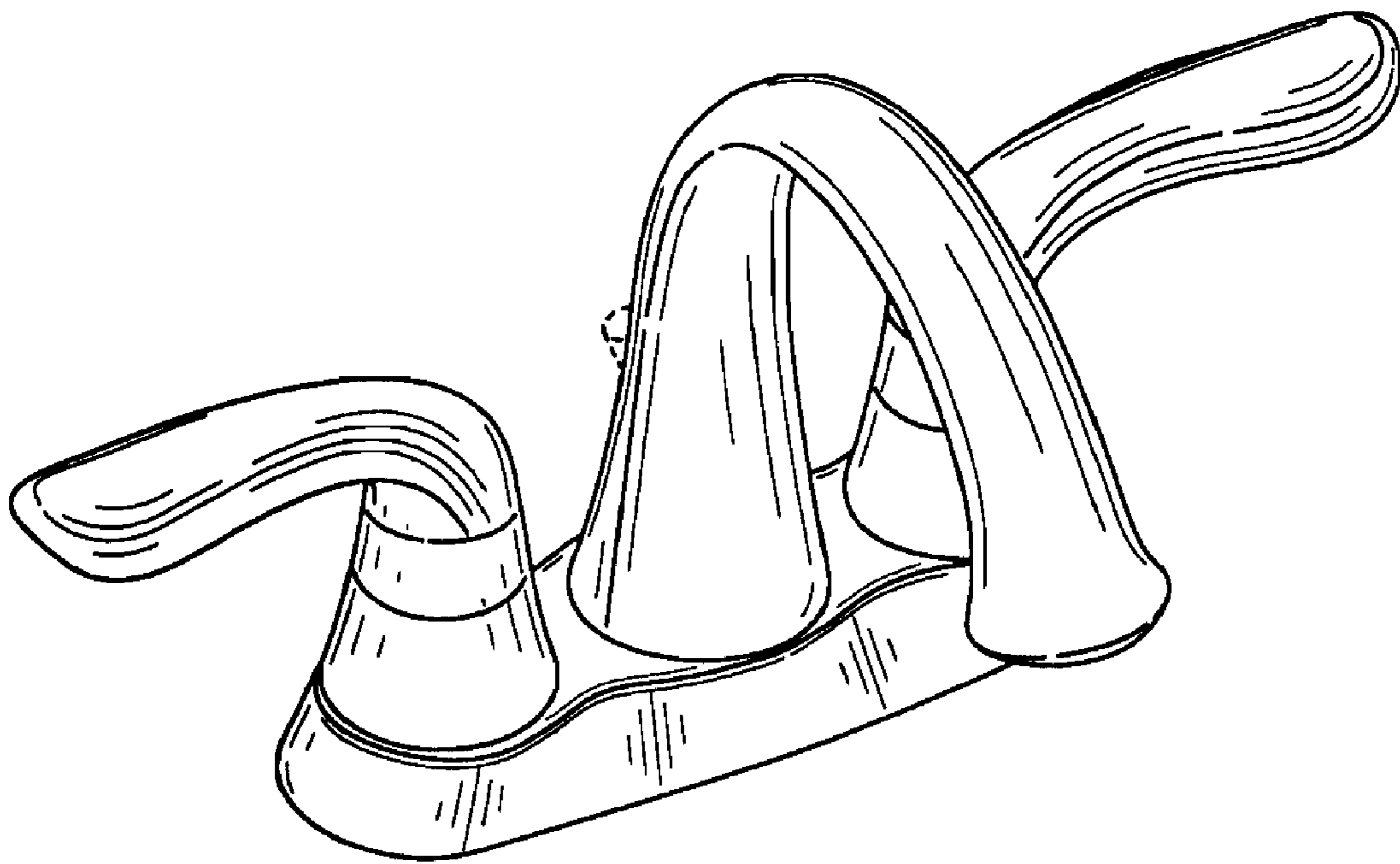


FIG. 1

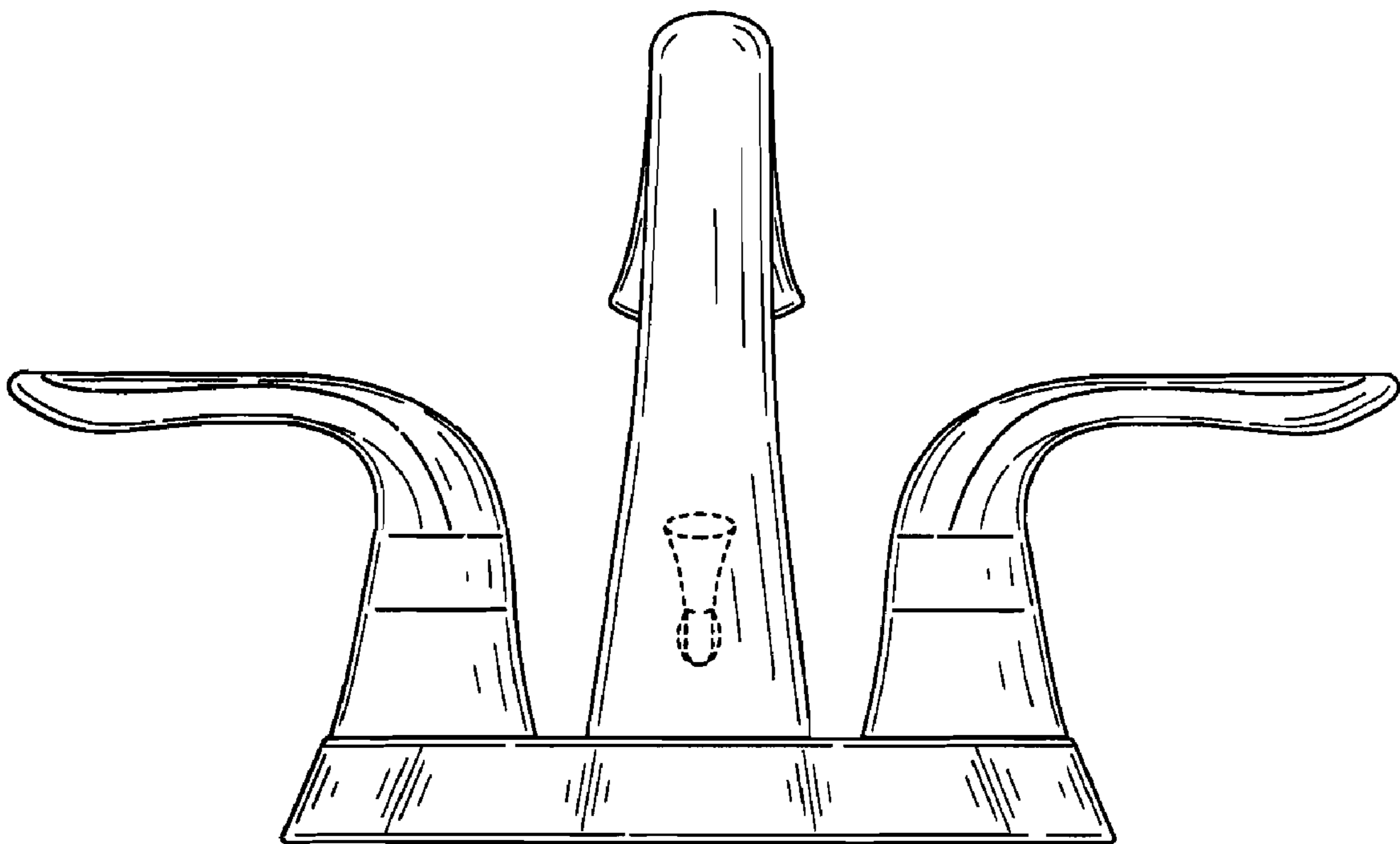


FIG. 2

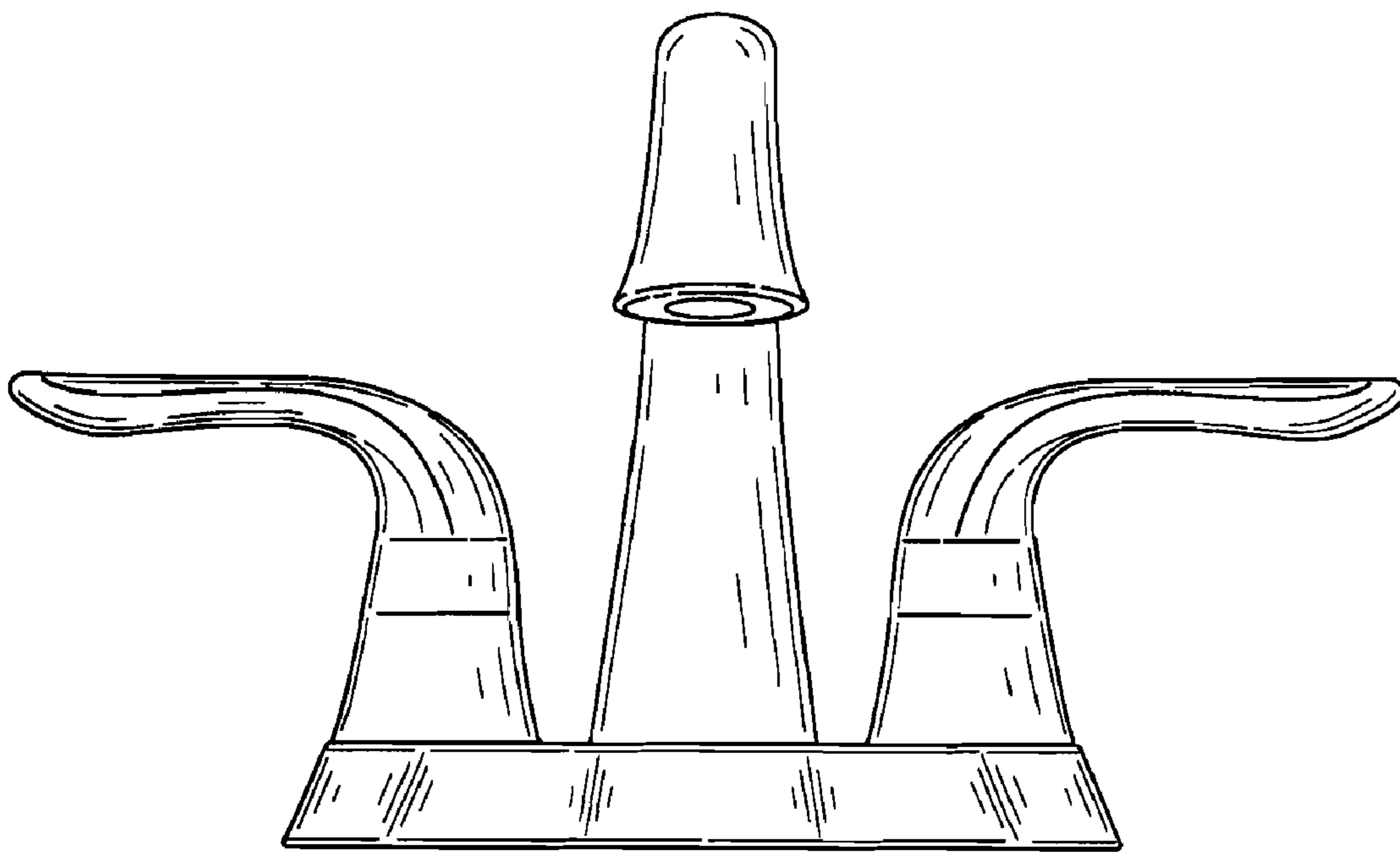


FIG. 3

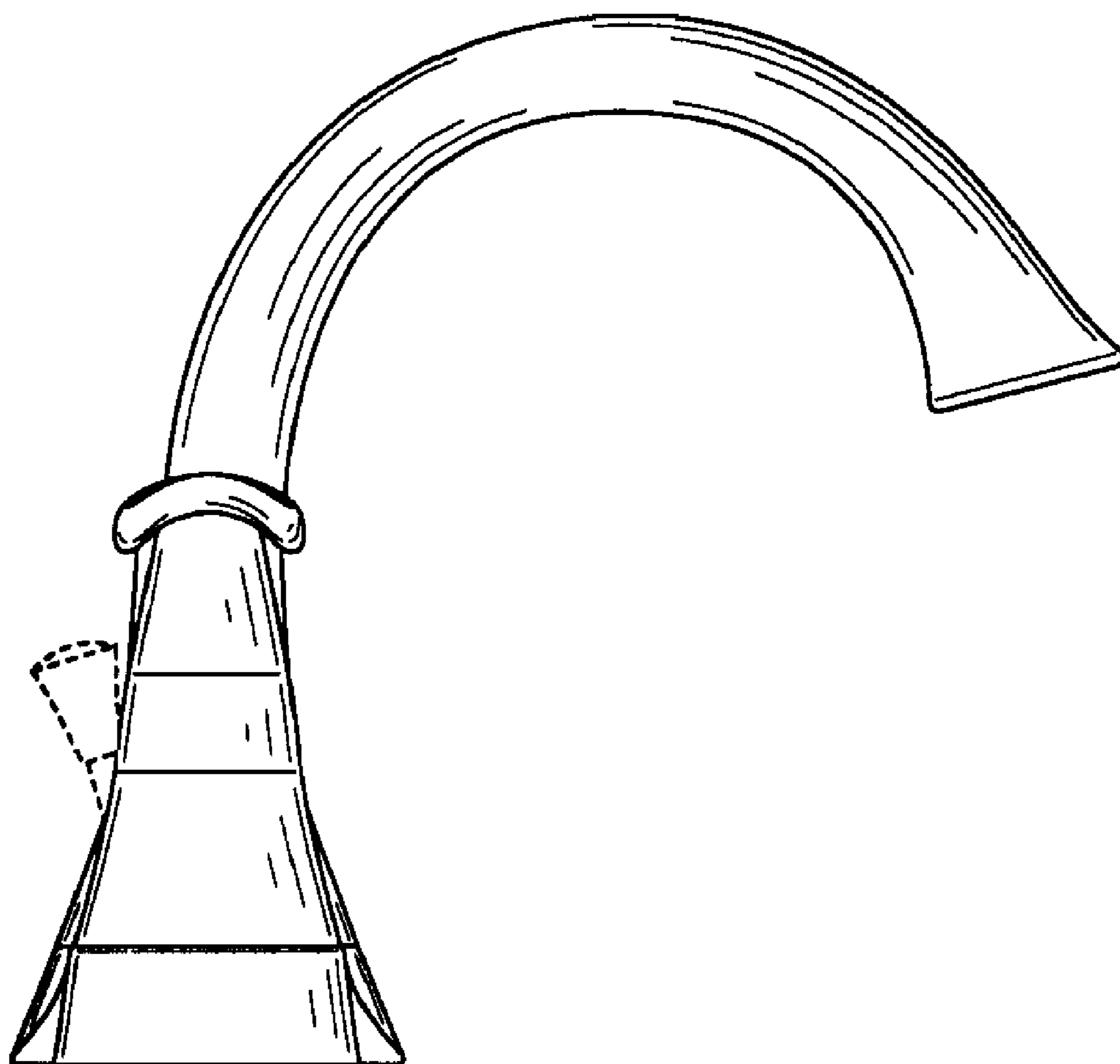


FIG. 4

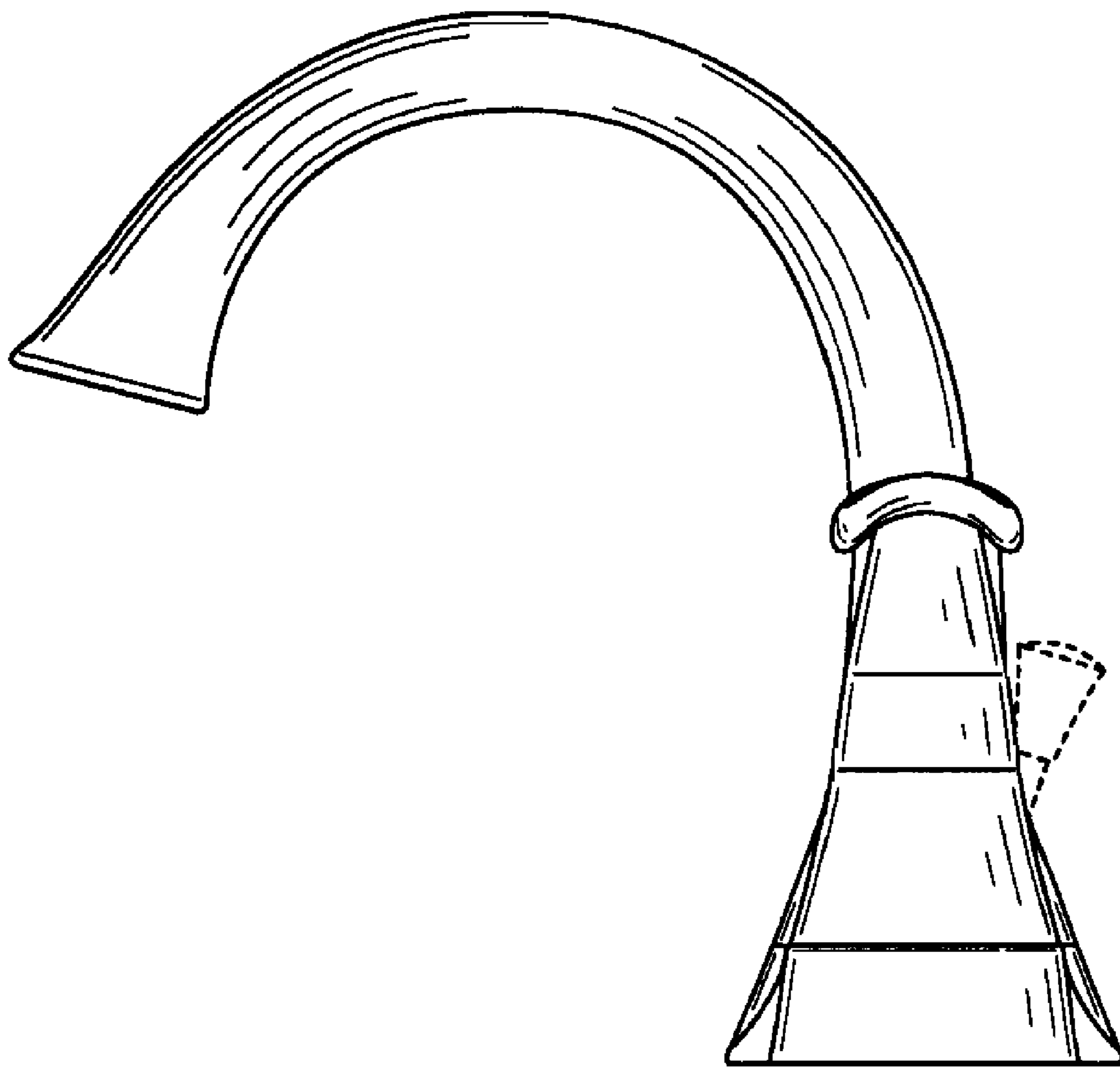


FIG. 5

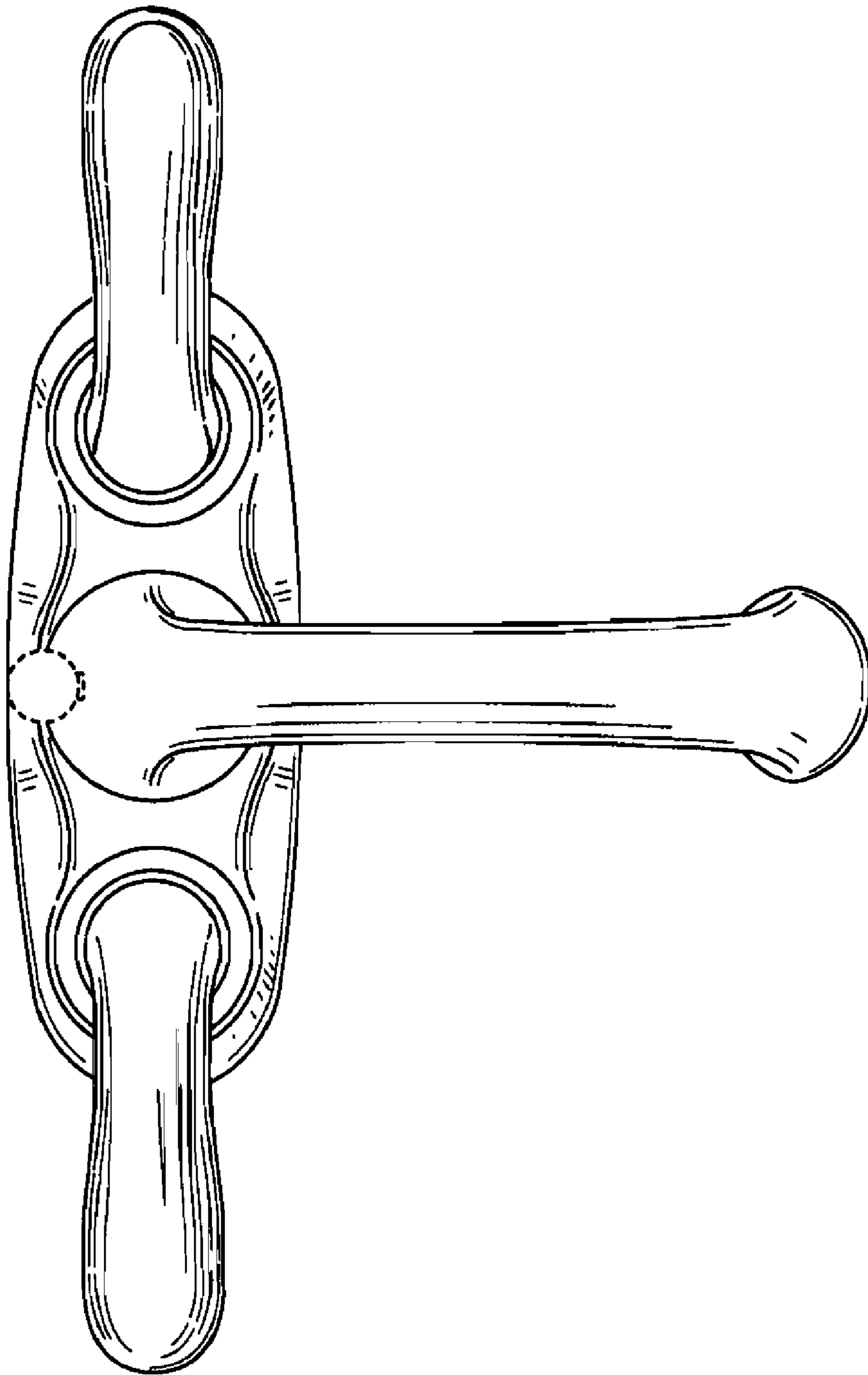


FIG. 6