



US00D569484S

(12) **United States Design Patent**
Urquiola

(10) **Patent No.:** **US D569,484 S**

(45) **Date of Patent:** **** May 20, 2008**

(54) **FAUCET ASSEMBLY**

(75) Inventor: **Patricia Urquiola**, Milan (IT)

(73) Assignee: **Hansgrohe AG** (DE)

(**) Term: **14 Years**

(21) Appl. No.: **29/283,891**

(22) Filed: **Aug. 27, 2007**

(30) **Foreign Application Priority Data**

Feb. 28, 2007 (DE) 4 07 01 257

(51) **LOC (8) Cl.** **23-01**

(52) **U.S. Cl.** **D23/238**

(58) **Field of Classification Search** D23/200,
D23/238-257; D6/512, 546, 550; D8/300,
D8/307-308, 310-312, 321; 4/675-678;
137/801; 16/110.1, 441
See application file for complete search history.

(56) **References Cited**

U.S. PATENT DOCUMENTS

D512,125 S	*	11/2005	Kulig	D23/238
D517,169 S	*	3/2006	Ogata et al.	D23/238
D524,416 S	*	7/2006	Haug et al.	D23/257
D527,794 S	*	9/2006	Sieger	D23/238
D534,245 S	*	12/2006	Egli et al.	D23/238
D534,619 S	*	1/2007	Garner	D23/238

D540,917 S	*	4/2007	Kikuchi	D23/252
D541,380 S	*	4/2007	Kikuchi	D23/238
D541,906 S	*	5/2007	Qing	D23/238
D546,922 S	*	7/2007	Demmer et al.	D23/238
D547,831 S	*	7/2007	Williams et al.	D23/255
D550,812 S	*	9/2007	Haug et al.	D23/238
D557,383 S	*	12/2007	Garner	D23/255

* cited by examiner

Primary Examiner—Robert A. Delehanty

Assistant Examiner—Mark Cavanna

(74) *Attorney, Agent, or Firm*—Leon E. Redman; Lloyd D. Doigan

(57) **CLAIM**

The ornamental design for a faucet assembly, as shown and described.

DESCRIPTION

FIG. 1 is a front perspective view of a faucet assembly showing my design;

FIG. 2 is a front elevational view thereof;

FIG. 3 is a rear elevational view thereof;

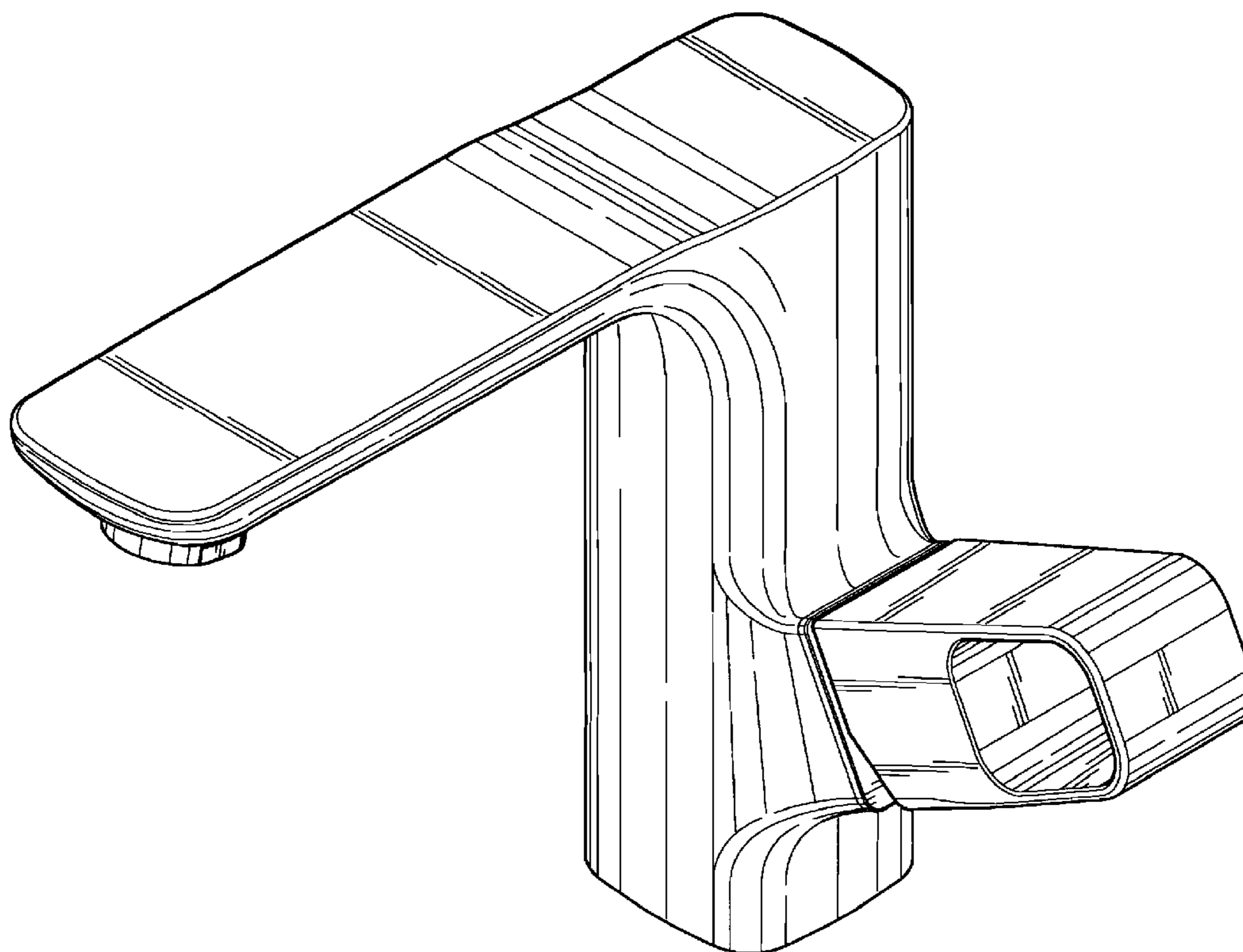
FIG. 4 is a left side elevational view thereof;

FIG. 5 is a right side elevational view thereof;

FIG. 6 is a top plan view thereof; and,

FIG. 7 is a bottom plan view thereof.

1 Claim, 7 Drawing Sheets



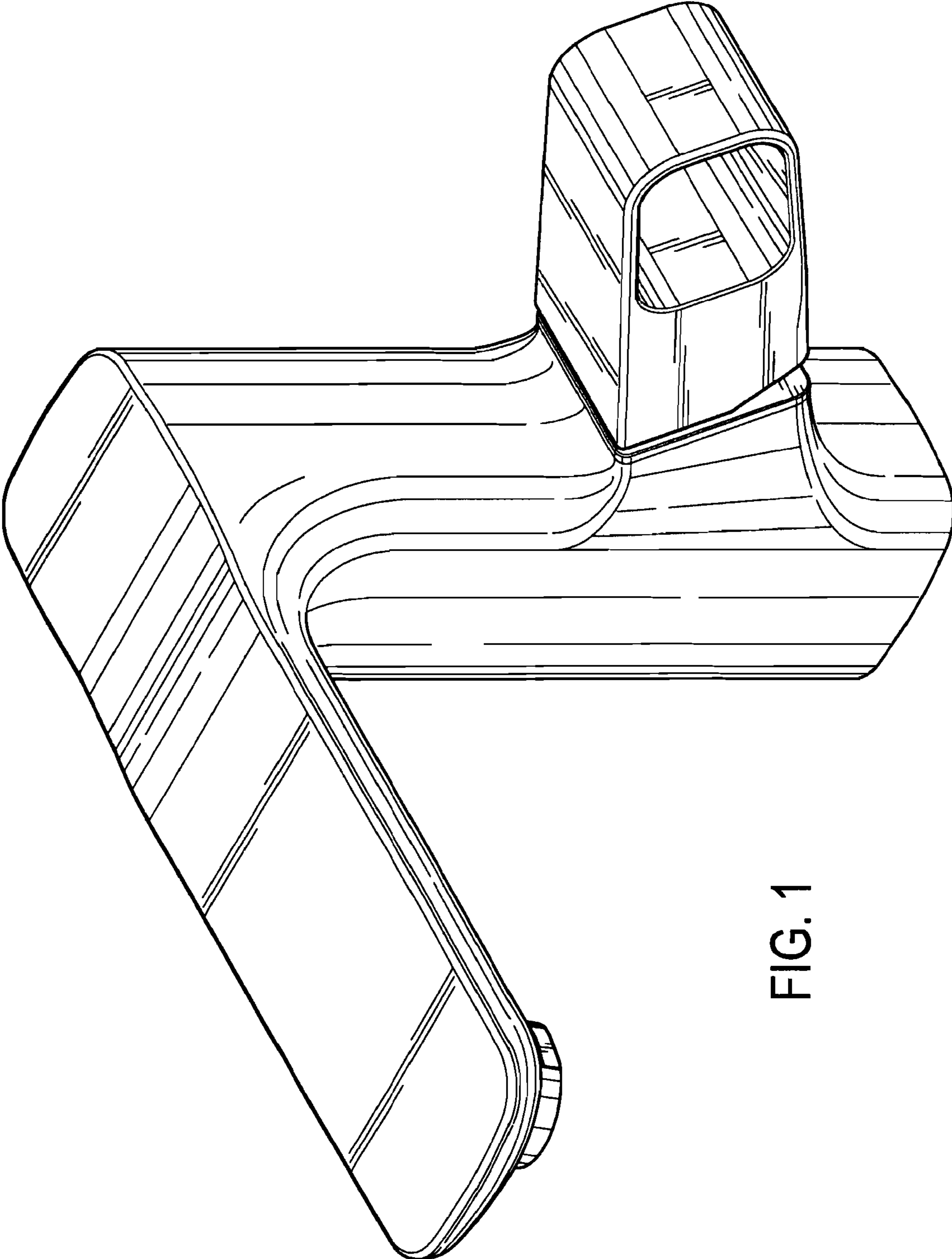


FIG. 1

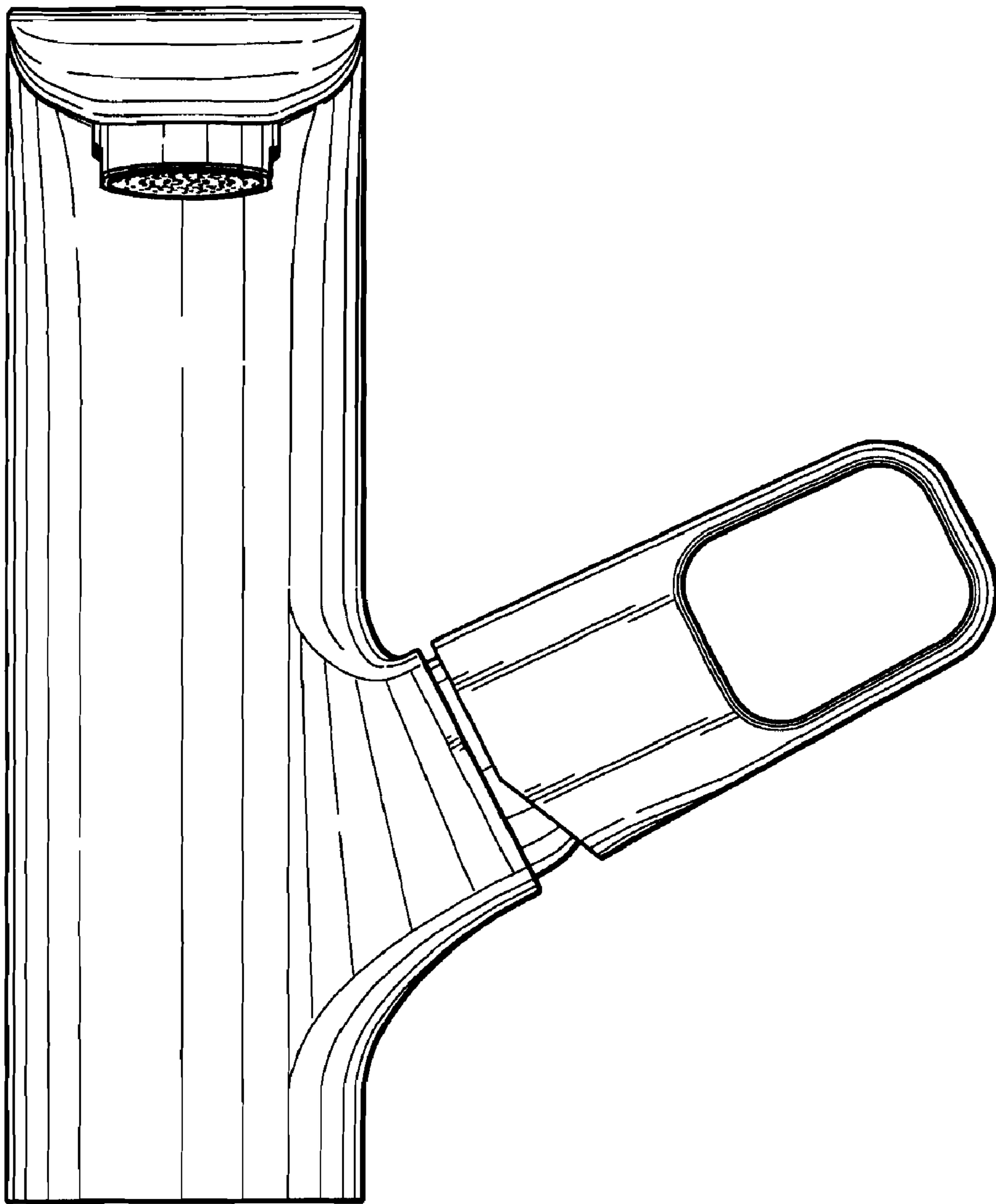


FIG. 2

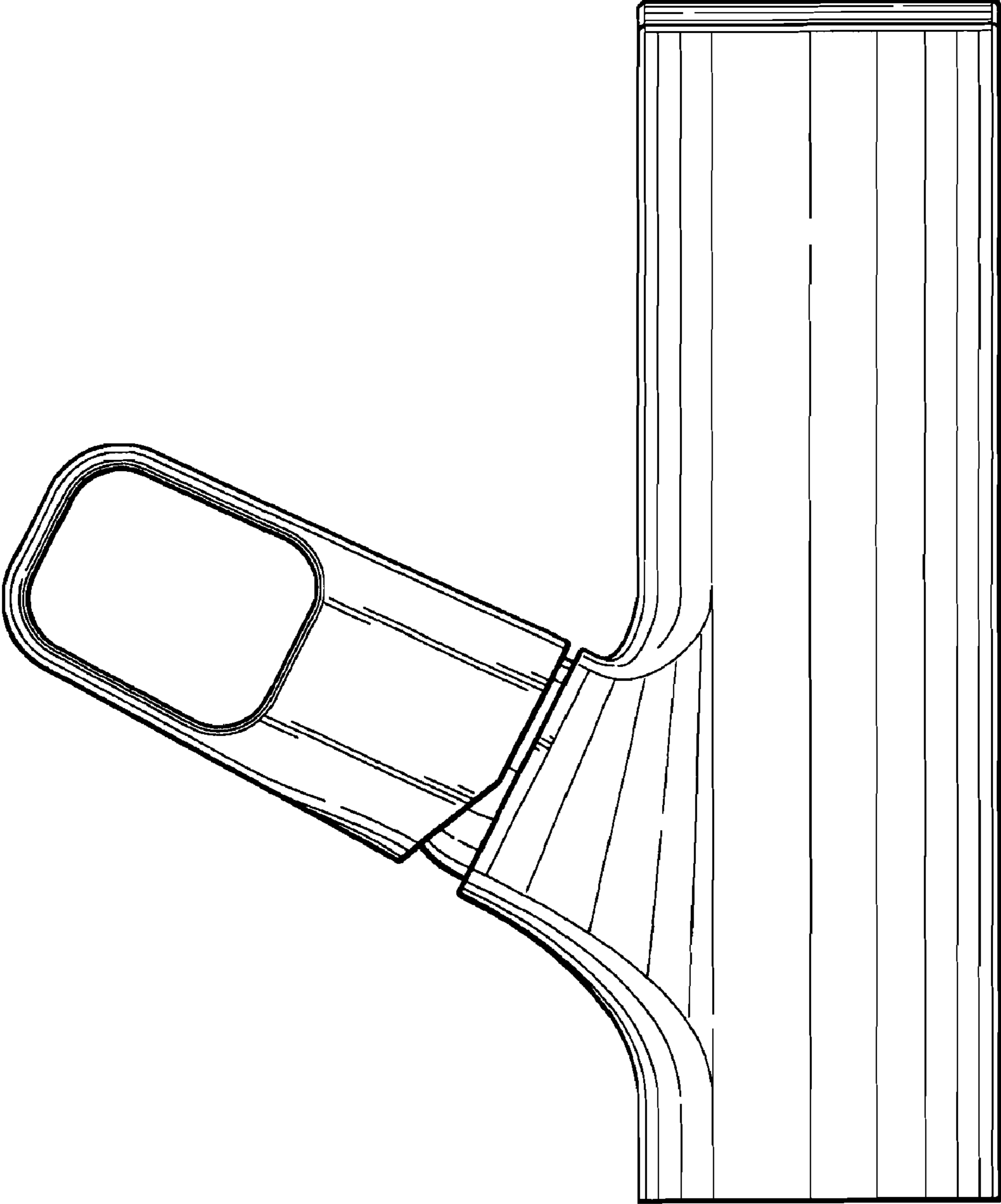


FIG. 3

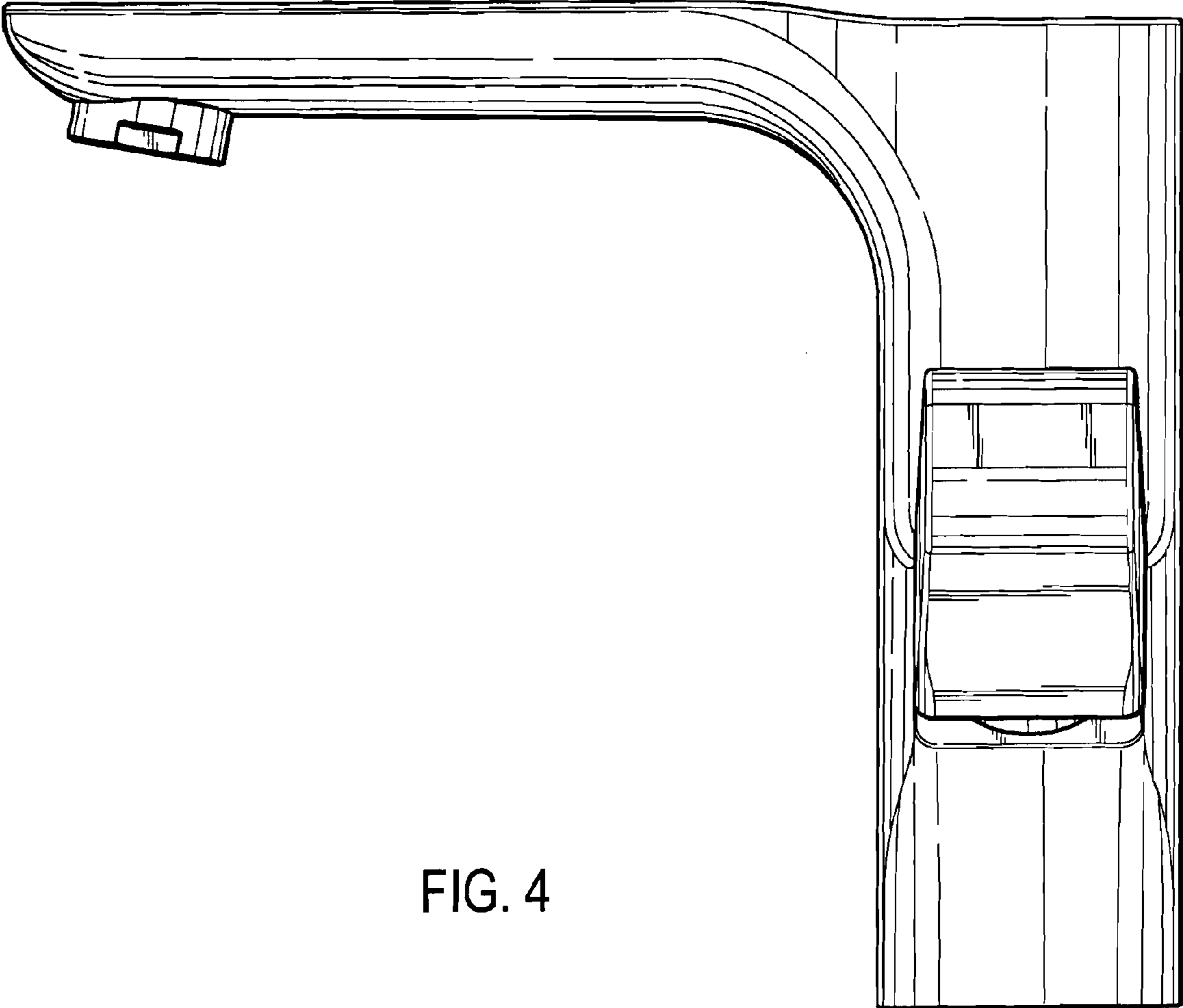


FIG. 4

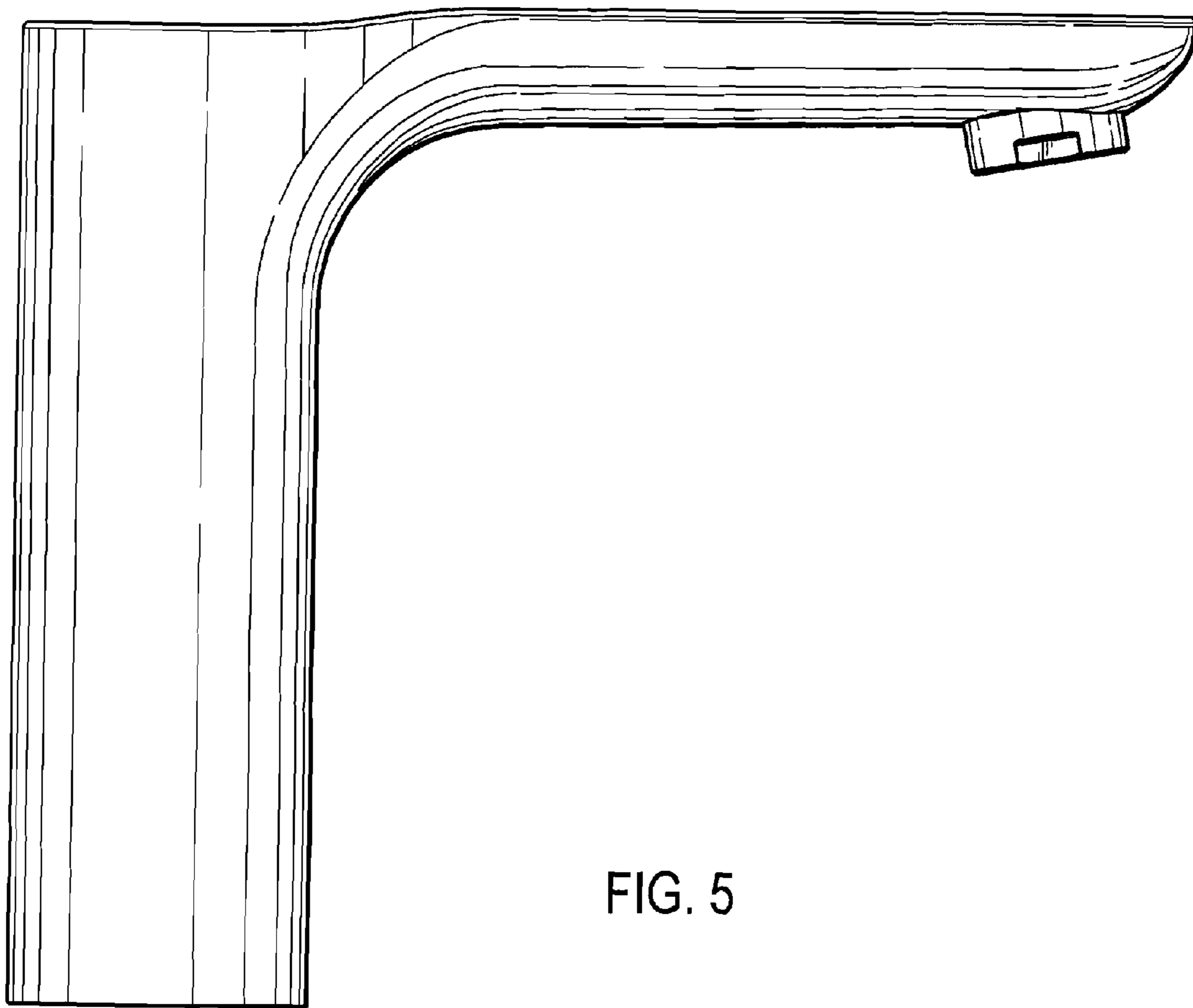


FIG. 5

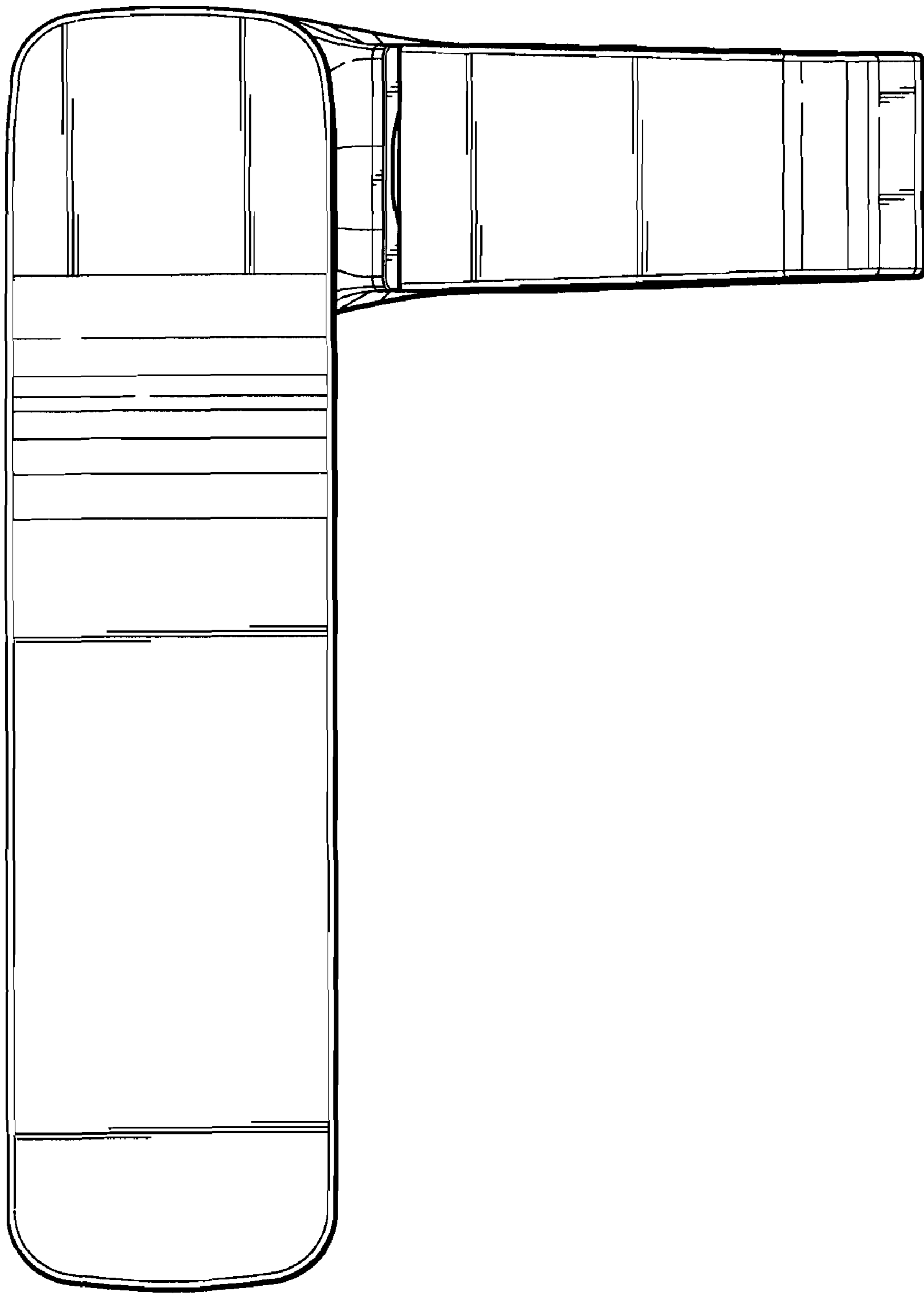


FIG. 6

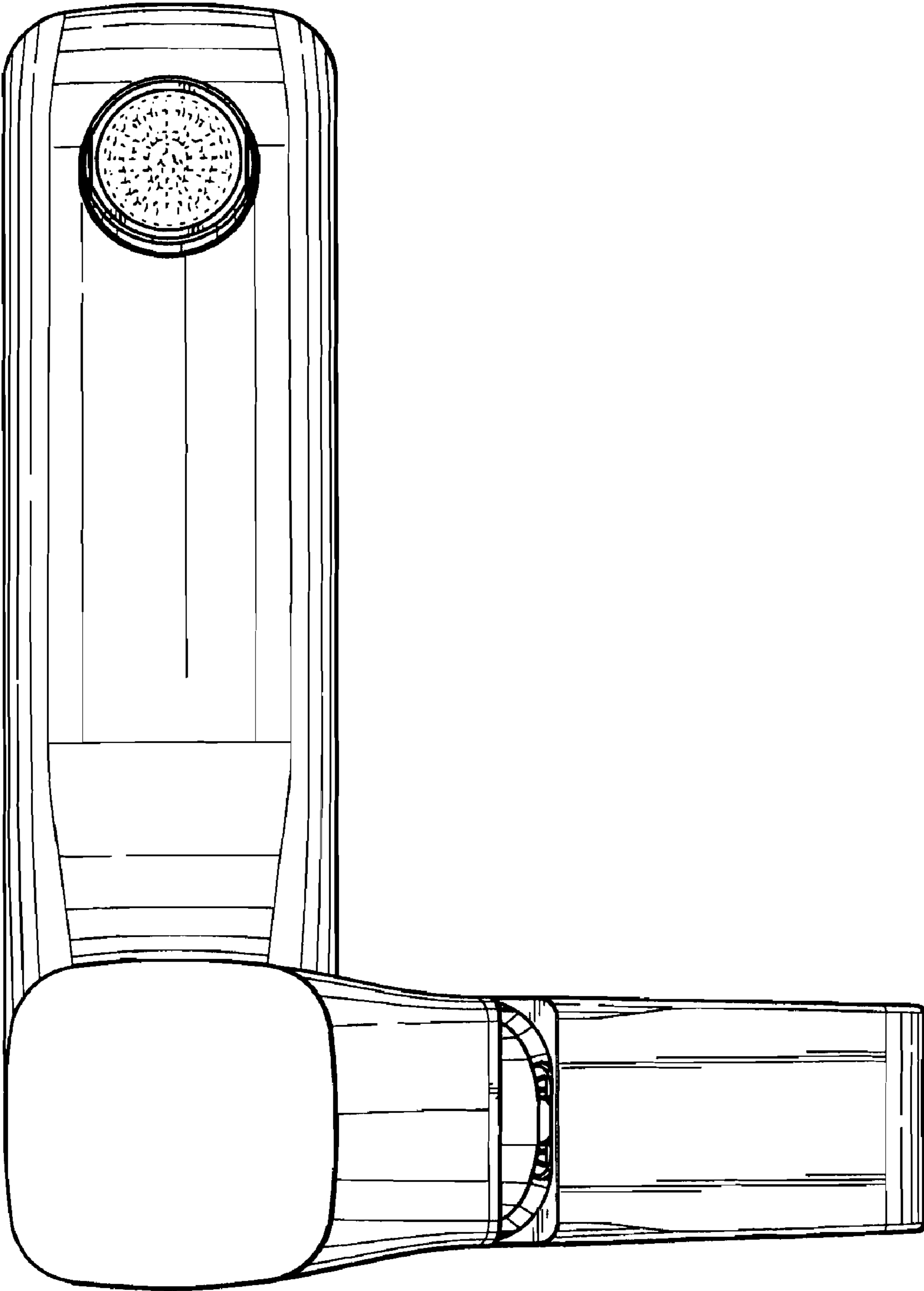


FIG. 7