



US00D569480S

(12) **United States Design Patent** (10) **Patent No.:** **US D569,480 S**
Preston et al. (45) **Date of Patent:** **** May 20, 2008**

(54) **METER ASSEMBLY**

(75) Inventors: **Warren John Preston**, Turrella (AU);
Peter Robert Kerr, Turrella (AU)

(73) Assignee: **MacNaught Pty Ltd.**, New South
Wales (AU)

(**) Term: **14 Years**

(21) Appl. No.: **29/280,633**

(22) Filed: **Jun. 4, 2007**

(30) **Foreign Application Priority Data**

Dec. 5, 2006 (AU) 15573/2006

(51) **LOC (8) Cl.** **23-01**

(52) **U.S. Cl.** **D23/226; D10/97**

(58) **Field of Classification Search** D10/97;
D23/213, 223-230; D9/517, 523, 527, 432,
D9/434; 141/392, 52, 209, 208, 98, 382;
222/14, 505, 566; 239/337

See application file for complete search history.

(56) **References Cited**

U.S. PATENT DOCUMENTS

D446,281 S * 8/2001 Fehl et al. D23/226
7,255,142 B2 * 8/2007 Carder et al. 141/392

OTHER PUBLICATIONS

MacNaught Pty Ltd, catalog page, 1998, Sydney, Australia.

MacNaught Pty Ltd, MacNaught Lubrication & Greasing Equip-
ment, catalog, Jun. 2006, NA180 Issue 4A, Sydney, Australia, pp.
6-8, 11-14, 15, 17, 22, 23, 25, 37-47.

PIUSI S.p.A., website, Dec. 4, 2006.

MacNaught Pty Ltd, M Series Positive Displacement Flow Meters,
catalog, 2006, Part No. MP107, Issue 3, Sydney, Australia.

MacNaught Pty Ltd, MacNaught Lubrication & Greasing Equip-
ment, catalog, 2004, pp. 33-39, NA180 Issue 3A, Sydney, Australia.

U.S. Appl. No. 29/260,648, Damian C. Johnson et al.

U.S. Appl. No. 29/266,368, Warren S. Preston et al.

* cited by examiner

Primary Examiner—Antoine D. Davis

(74) *Attorney, Agent, or Firm*—King & Schickli, PLLC

(57) **CLAIM**

The ornamental design for a meter assembly, as shown and
described.

DESCRIPTION

FIG. 1 is a perspective view of a meter assembly of the
present invention;

FIG. 2 is a second perspective view thereof;

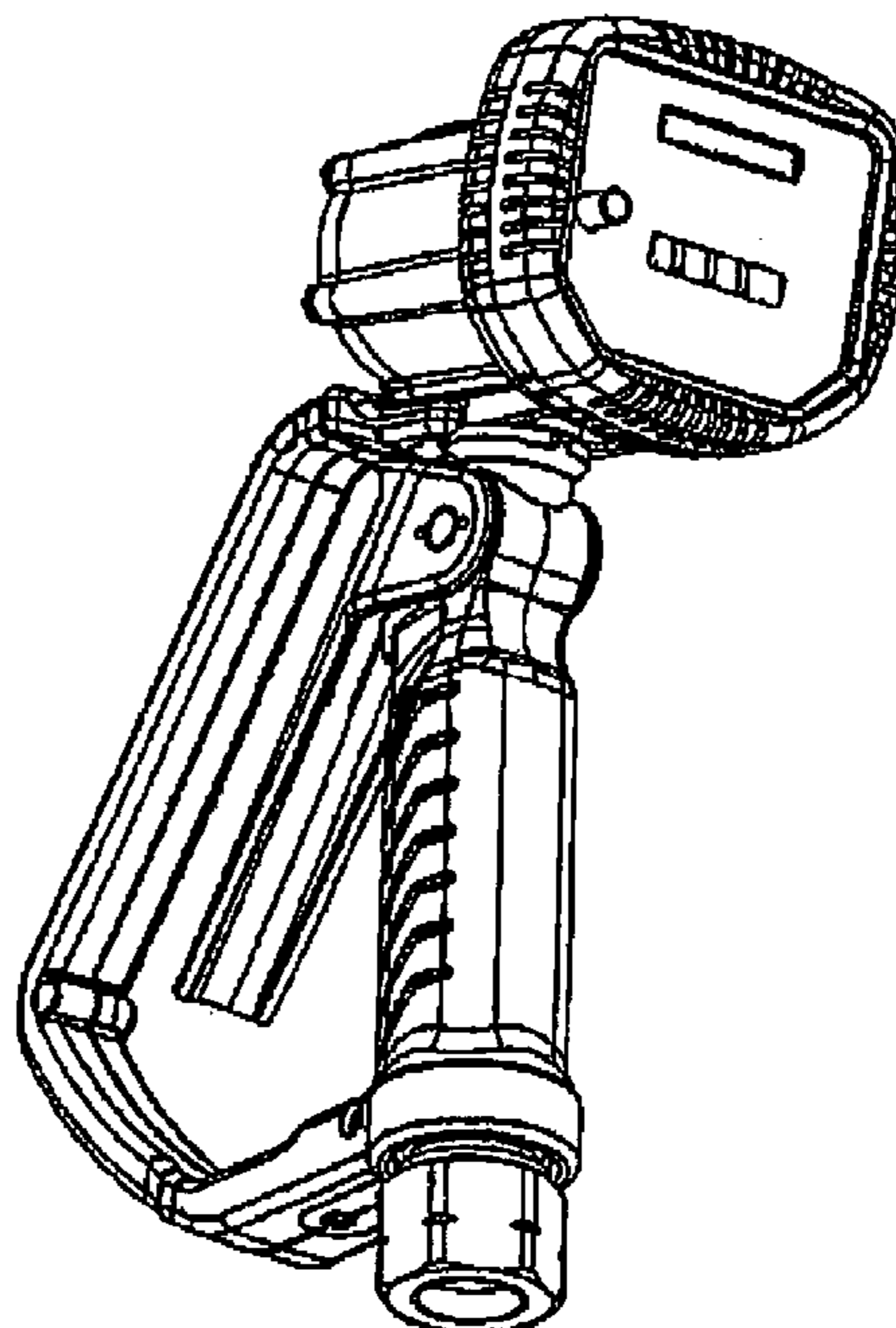
FIG. 3 is a first side view thereof;

FIG. 4 is a second side view thereof;

FIG. 5 is a third side view thereof; and,

FIG. 6 is an end view thereof.

1 Claim, 6 Drawing Sheets



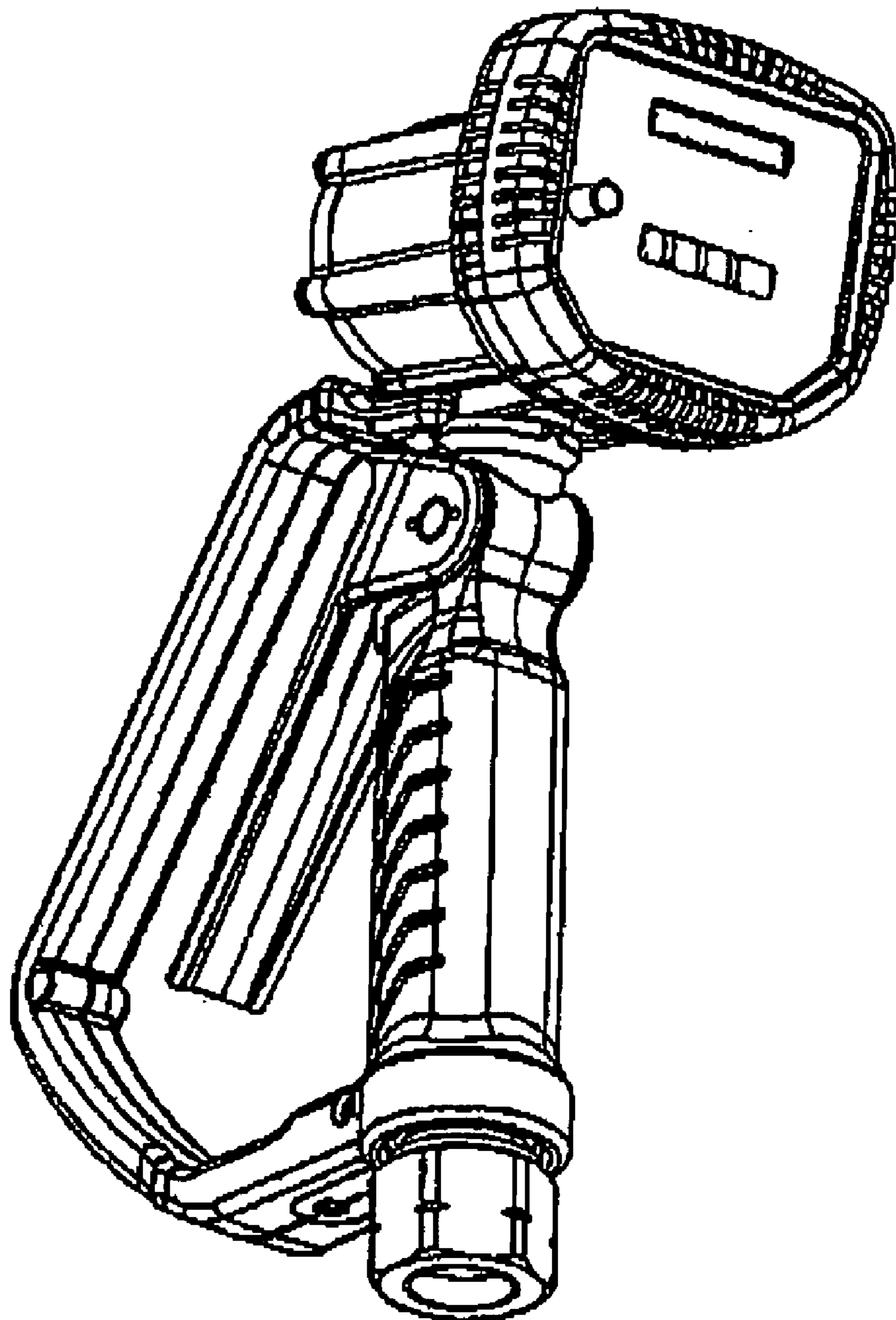


FIG. 1

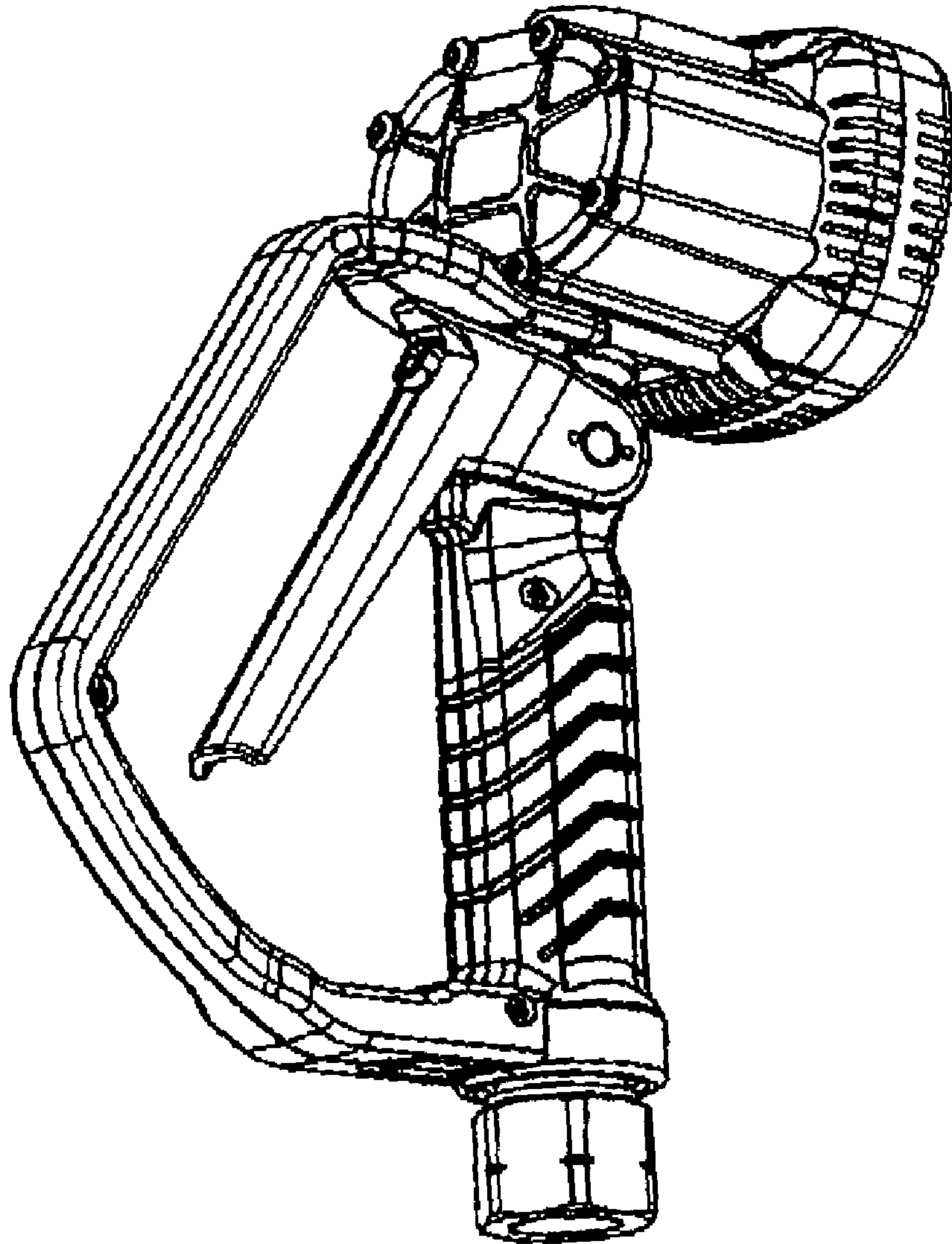


FIG. 2

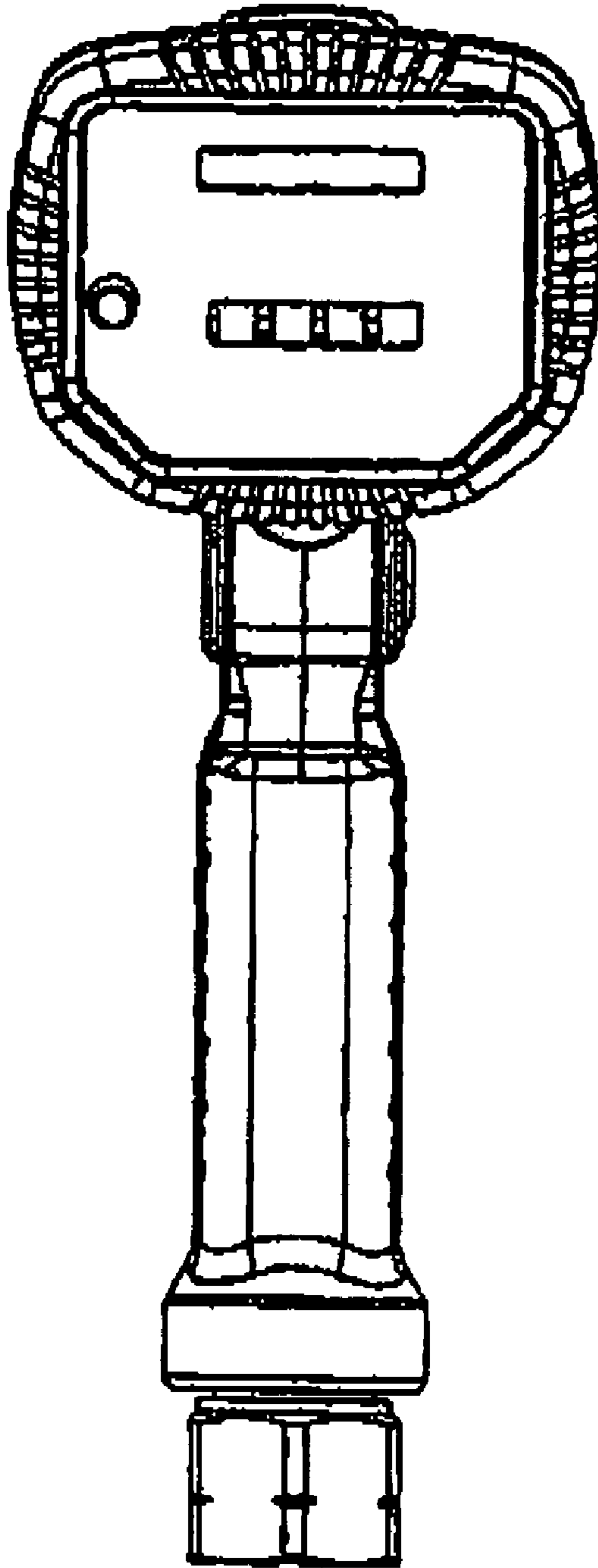


FIG. 3

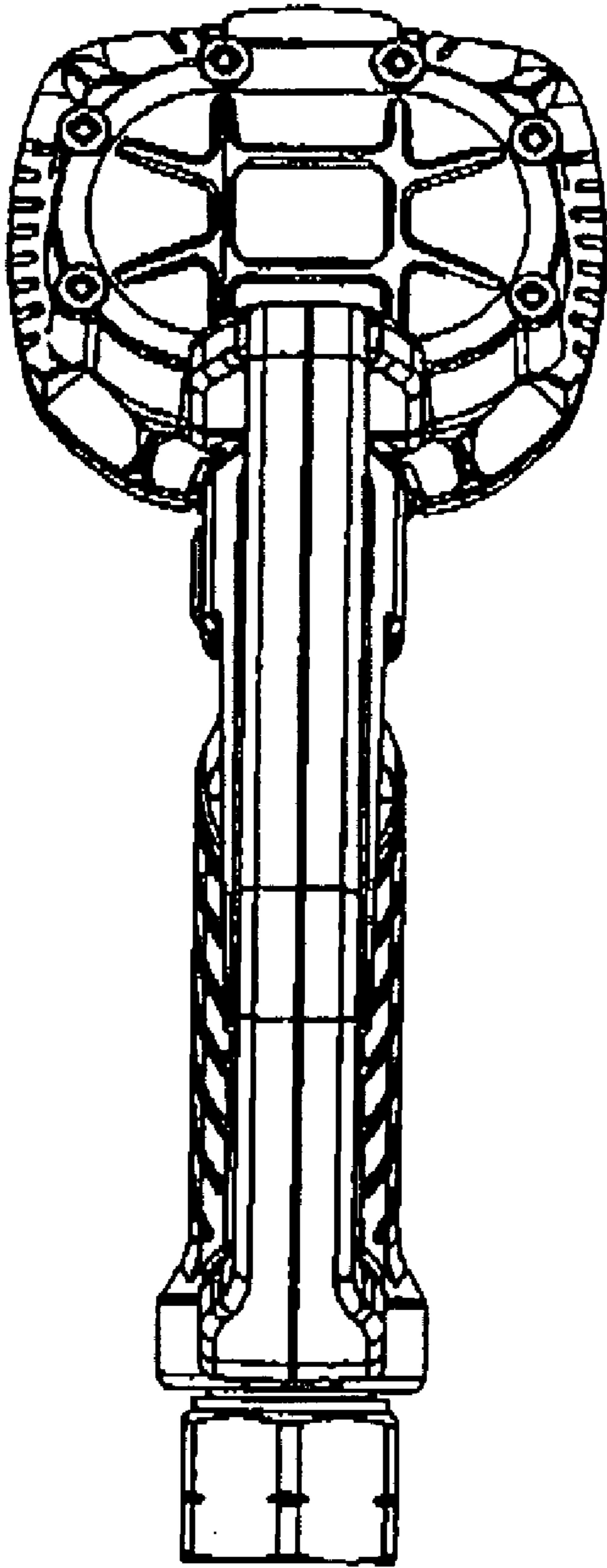


FIG. 4

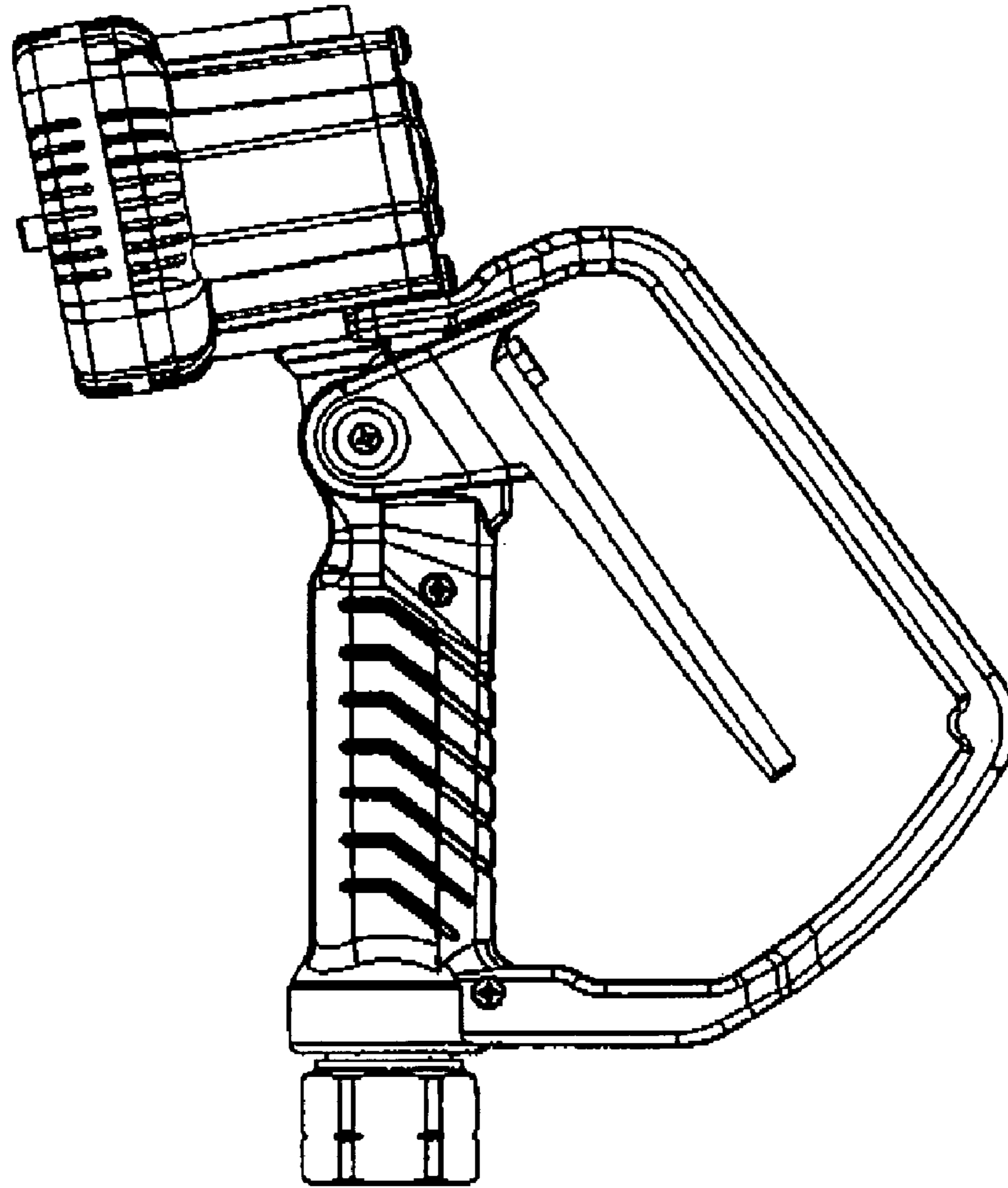


FIG. 5

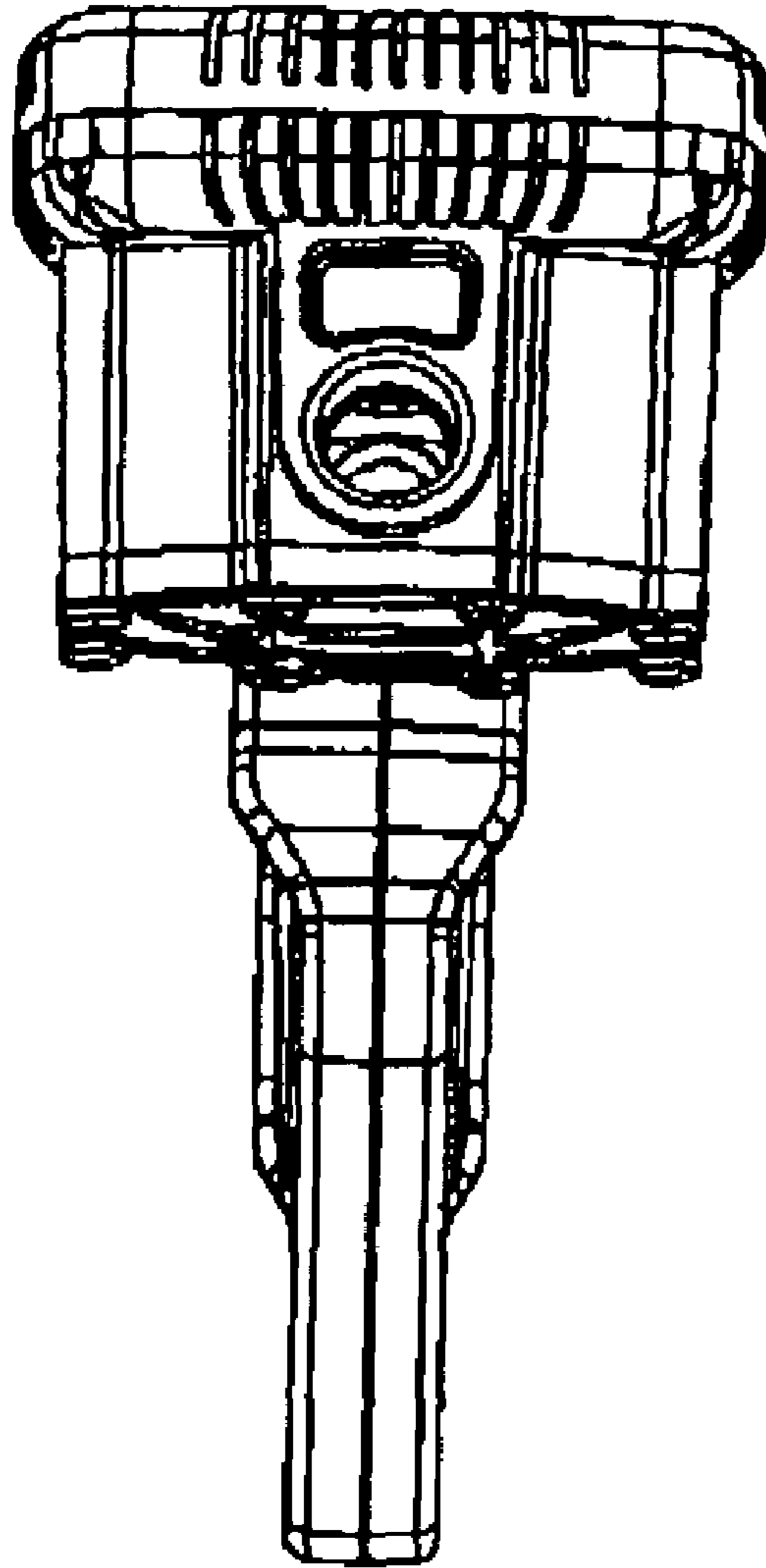


FIG. 6