



US00D569476S

(12) **United States Design Patent**
Munlin

(10) **Patent No.:** **US D569,476 S**

(45) **Date of Patent:** **** May 20, 2008**

(54) **FUEL DISPENSER CONTAINER**

D516,434 S * 3/2006 McGuire D9/527
D528,425 S * 9/2006 Van Dorin et al. D9/527

(76) Inventor: **Cody Munlin**, 5222 Caraway Lake Dr.,
Baytown, TX (US) 77521

* cited by examiner

(**) Term: **14 Years**

Primary Examiner—Stella M. Reid

Assistant Examiner—Shanda C. Hill

(21) Appl. No.: **29/291,123**

(74) *Attorney, Agent, or Firm*—William P. Ramey, III

(22) Filed: **Aug. 15, 2007**

(57) **CLAIM**

(51) **LOC (8) Cl.** **23-01**

The ornamental design for a fuel dispenser container, as shown and described.

(52) **U.S. Cl.** **D23/211.1**

(58) **Field of Classification Search** D23/200,
D23/211, 211.1, 211.2; D9/516, 520, 522–528,
D9/531; 141/67, 382, 383; 222/155, 465.1;
239/74; 215/382, 383, 384, 385, 396, 398
See application file for complete search history.

DESCRIPTION

This design patent application is related to a non-provisional application Ser. No. 11/893,206 titled Fuel Dispenser System filed concurrently with this application.

(56) **References Cited**

U.S. PATENT DOCUMENTS

- 4,579,260 A * 4/1986 Young et al. 222/465.1
- D286,376 S * 10/1986 Bianco D23/211.2
- D296,420 S * 6/1988 Frahm et al. D9/522
- D296,668 S * 7/1988 Stavish D9/520
- 4,781,314 A * 11/1988 Schoonover et al. 222/465.1
- D325,871 S * 5/1992 Hestehave et al. D9/520
- D333,177 S * 2/1993 Poirier D23/211.1
- D338,158 S * 8/1993 Poirier D23/211.1
- D365,520 S * 12/1995 Luther D23/211.2
- D497,313 S * 10/2004 Glover D23/211.2
- D509,559 S * 9/2005 Chishom et al. D23/200

FIG. 1 is a perspective view of a fuel dispenser container showing my new design;

FIG. 2 is a back view thereof;

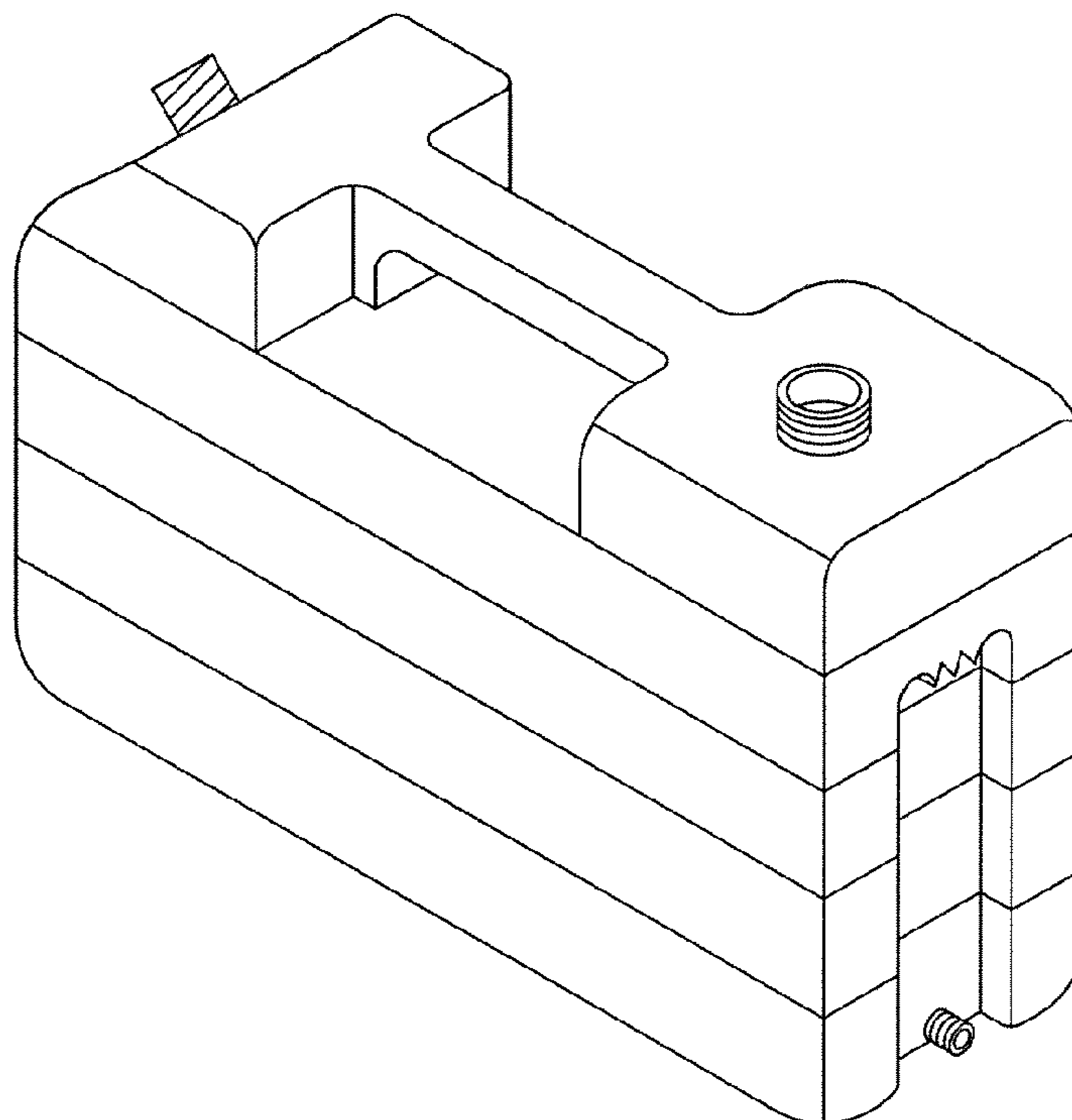
FIG. 3 is a front view thereof;

FIG. 4 is a side view thereof; and,

FIG. 5 is a perspective view of the fuel dispenser container shown in condition of use.

The broken lines shown in the drawing disclosure are for illustrative purposes only and form no part of the claimed design.

1 Claim, 3 Drawing Sheets



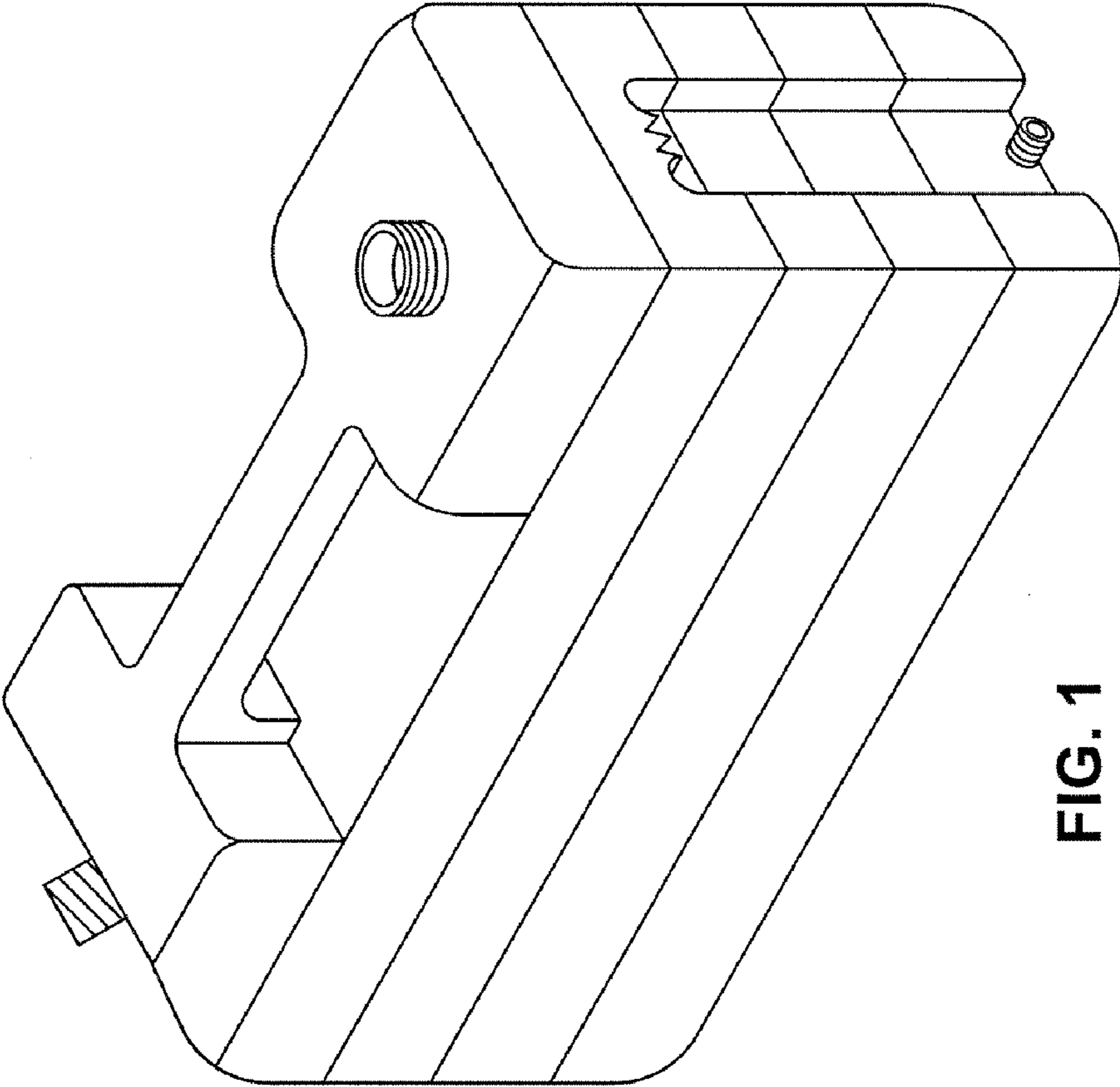


FIG. 1

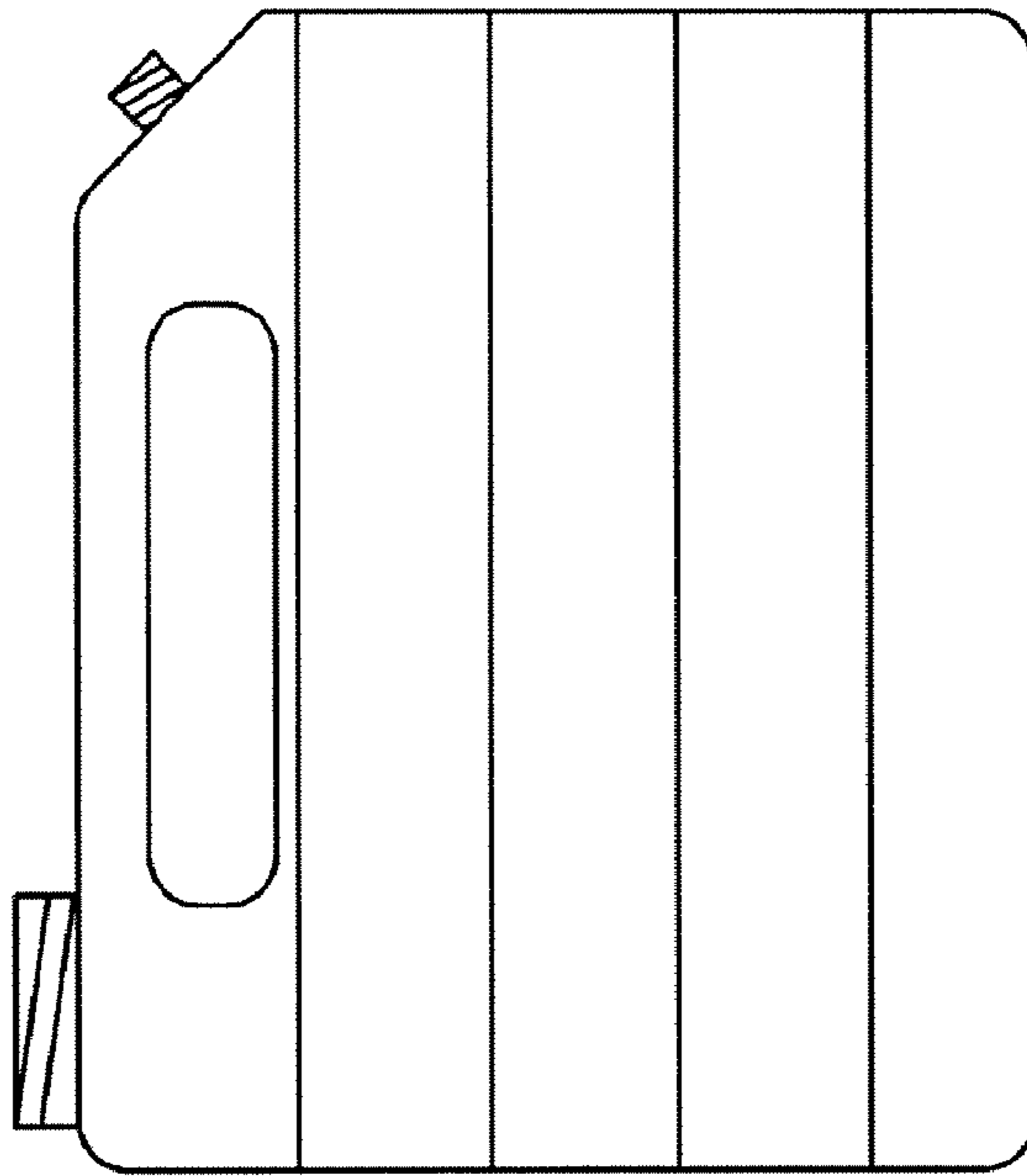


FIG. 4

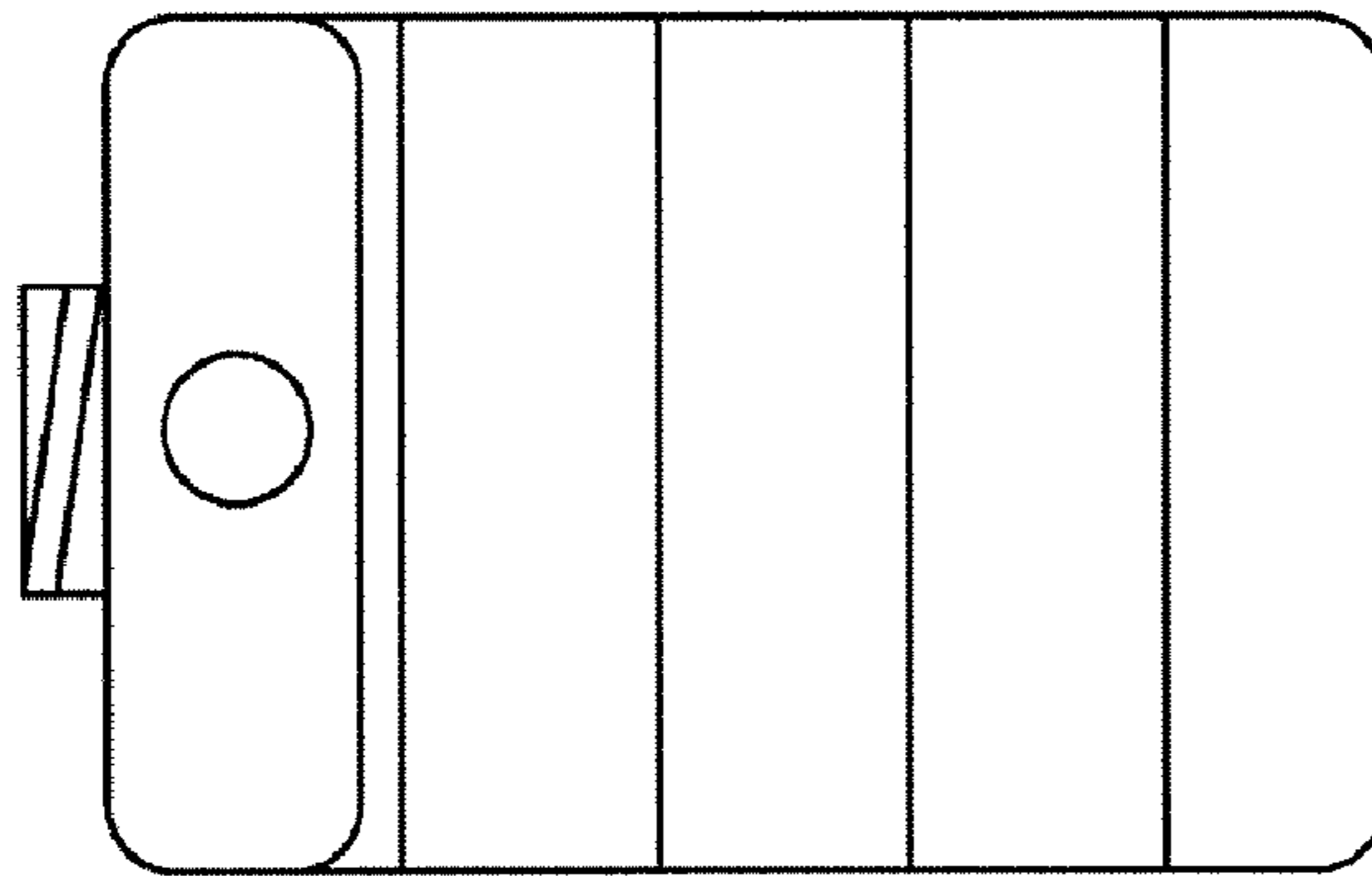


FIG. 3

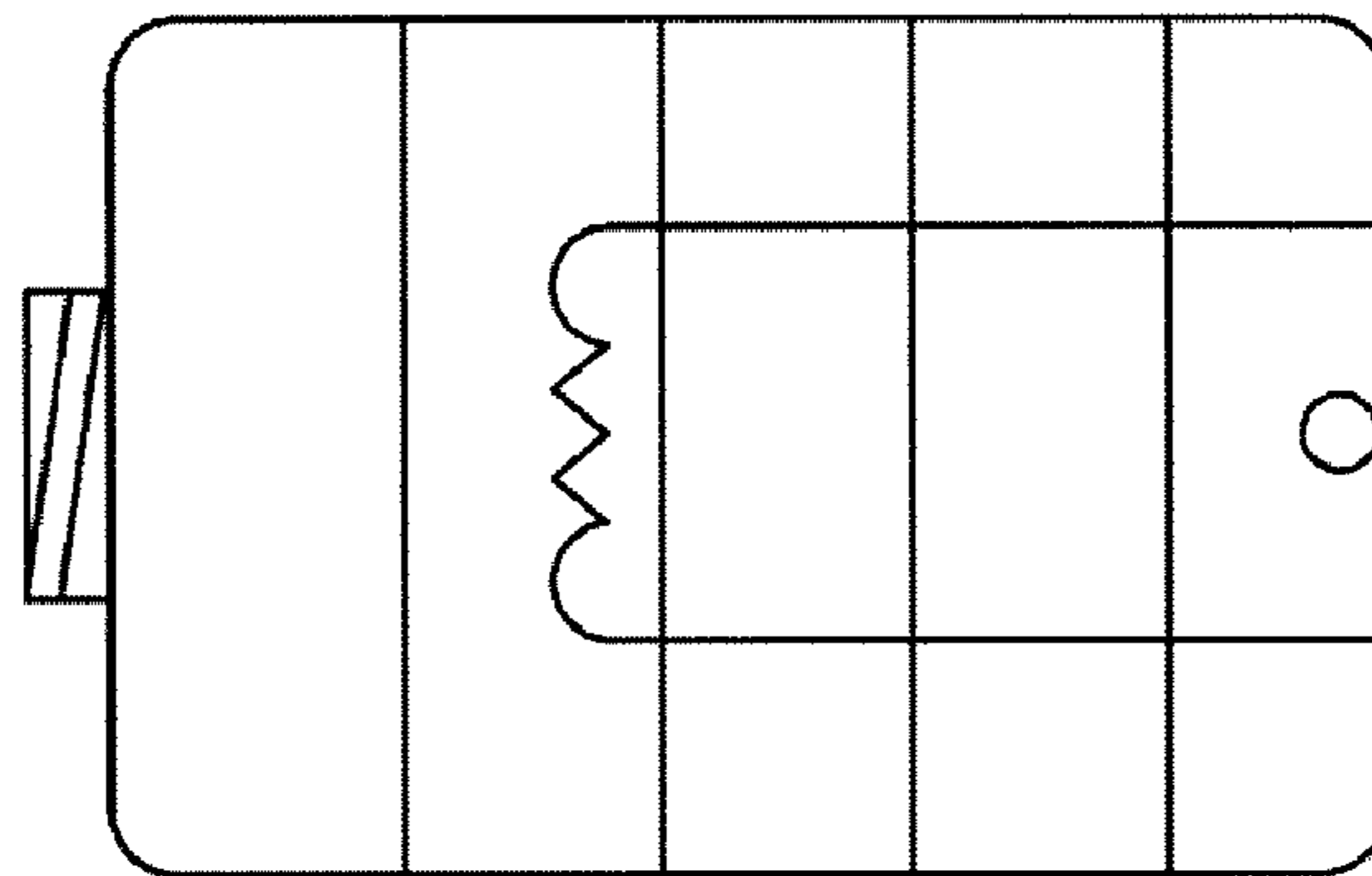


FIG. 2

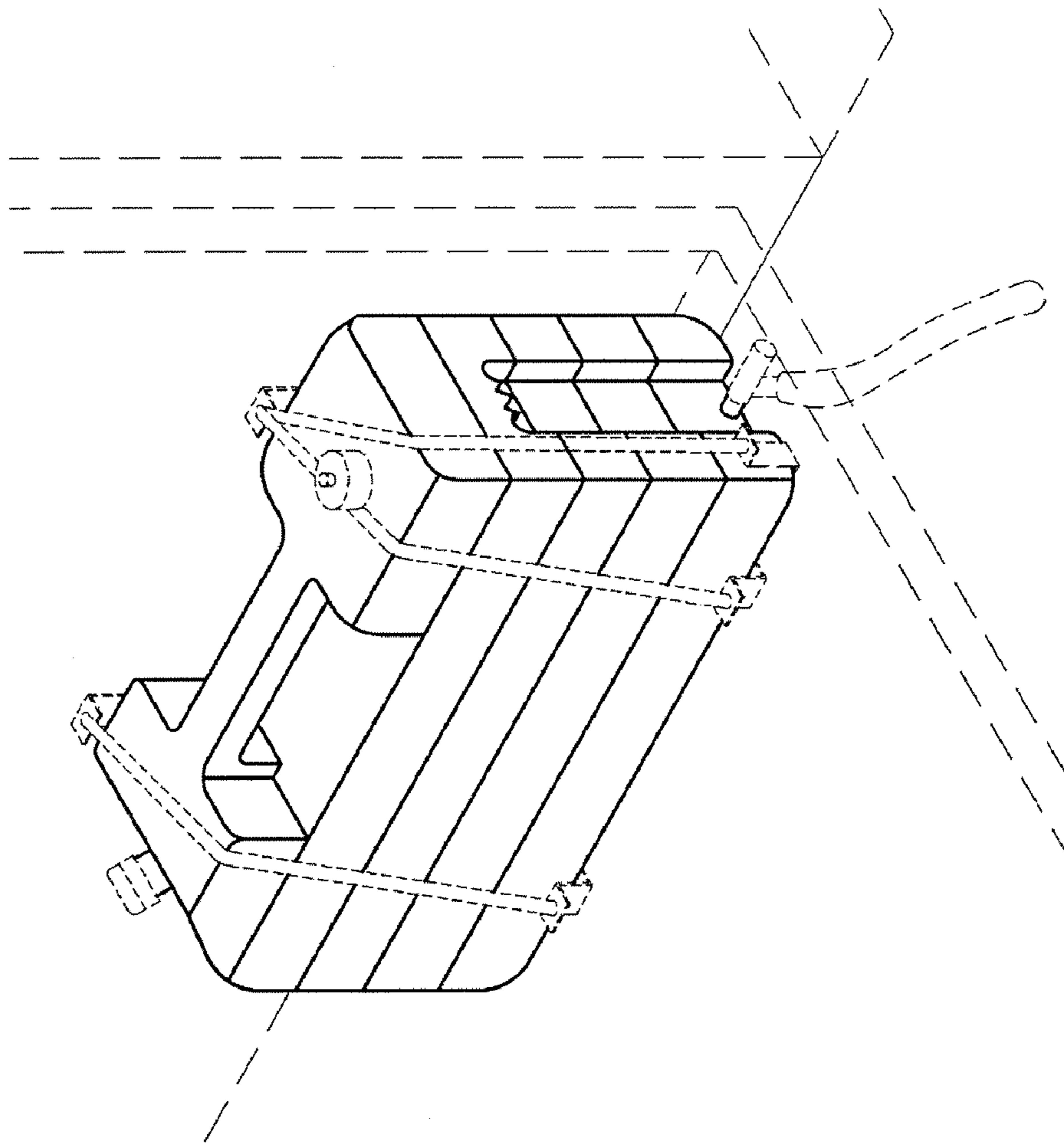


FIG. 5