

US00D569471S

(12) **United States Design Patent**
Wiersma

(10) **Patent No.:** **US D569,471 S**

(45) **Date of Patent:** **** May 20, 2008**

(54) **GOLF BALL POSITIONING TRAINER AND STANCE GUIDE**

(76) Inventor: **Hessel Wiersma**, 5419 Hollywood Blvd., Suite C, Los Angeles, CA (US) 90027

(**) Term: **14 Years**

(21) Appl. No.: **29/285,087**

(22) Filed: **Mar. 22, 2007**

(51) **LOC (8) Cl.** **21-02**

(52) **U.S. Cl.** **D21/791**

(58) **Field of Classification Search** D21/789, D21/791; 473/150, 218, 257, 270-273
See application file for complete search history.

(56) **References Cited**

U.S. PATENT DOCUMENTS

D239,726 S *	4/1976	Wintering	D21/791
D244,791 S *	6/1977	Sullivan, Jr.	D21/791
D311,568 S *	10/1990	Jacques	D21/791
D312,116 S *	11/1990	Spagnola	D21/791
D347,457 S *	5/1994	Armstrong, III	D21/791
5,362,060 A	11/1994	Hinson		
D372,288 S *	7/1996	Deics	D21/791
D397,754 S *	9/1998	Nguyen	D21/791
D402,730 S *	12/1998	Hicks	D21/791

D431,276 S *	9/2000	Warkmeistetr	D21/791
D446,276 S *	8/2001	Bankhead	D21/791
6,440,004 B1	8/2002	Rodriguez		
6,592,376 B1	7/2003	Carpenter		
D518,545 S *	4/2006	Renahan et al.	D21/791

* cited by examiner

Primary Examiner—Mitchell I Siegel

(57) **CLAIM**

The ornamental design for a golf ball positioning trainer and stance guide, as shown and described.

DESCRIPTION

FIG. 1 is a top plan view of a golf ball positioning trainer and stance guide showing my new design;

FIG. 2 is a front elevational view thereof;

FIG. 3 is a right side elevational view thereof;

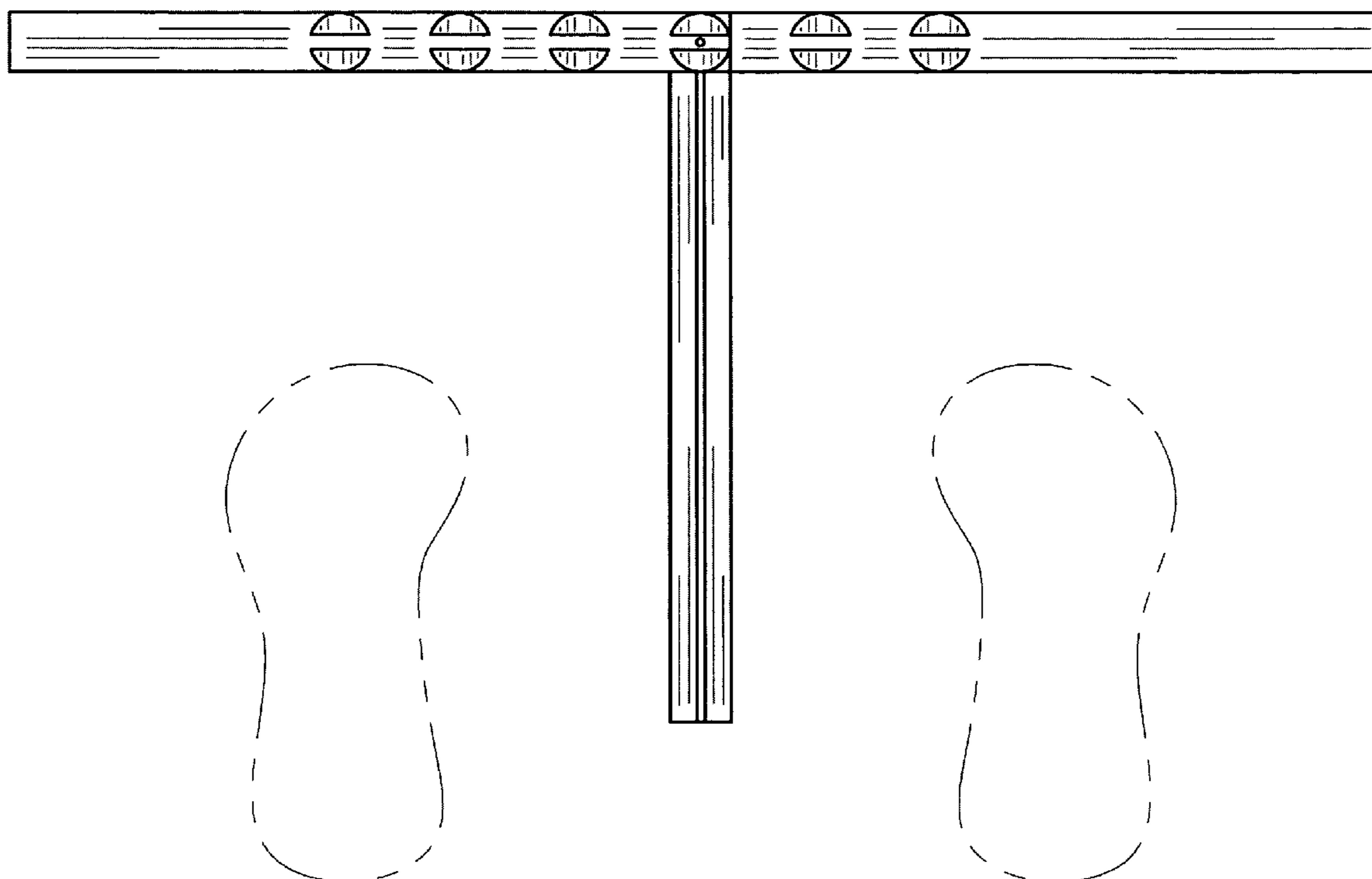
FIG. 4 is a bottom plan view thereof;

FIG. 5 is a top plan view showing the present invention adapted to a folded position thereof; and,

FIG. 6 is a reduced perspective view thereof.

The broken line showing is included for the purpose of illustrating and forms no part of the claimed design.

1 Claim, 6 Drawing Sheets



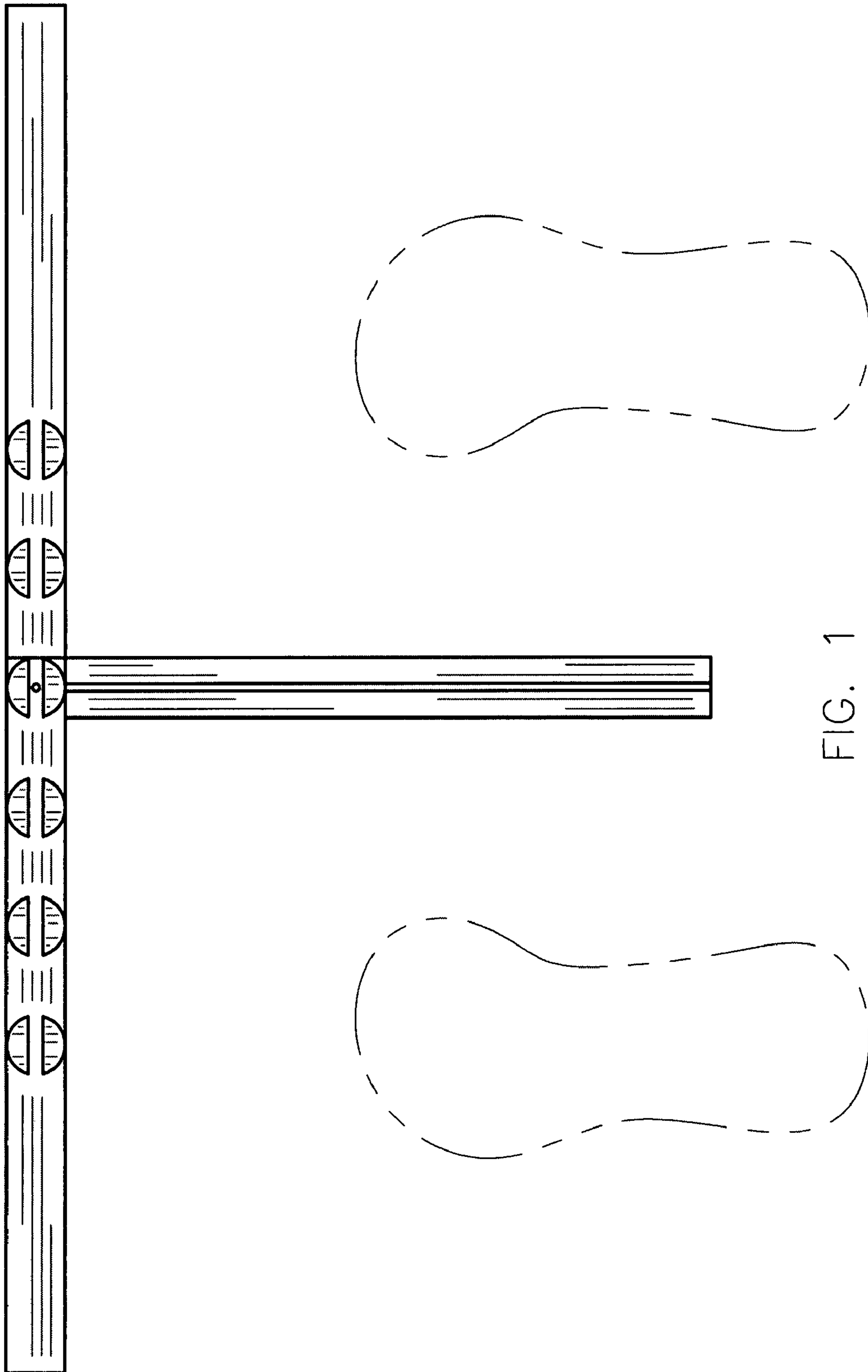


FIG. 1

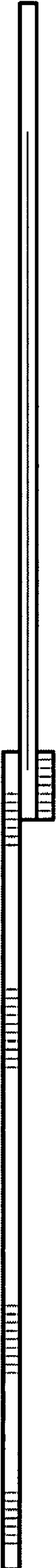


FIG. 2

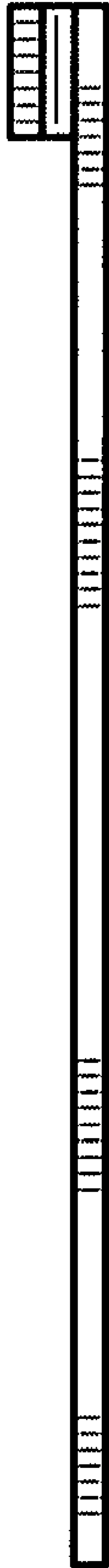


FIG. 3

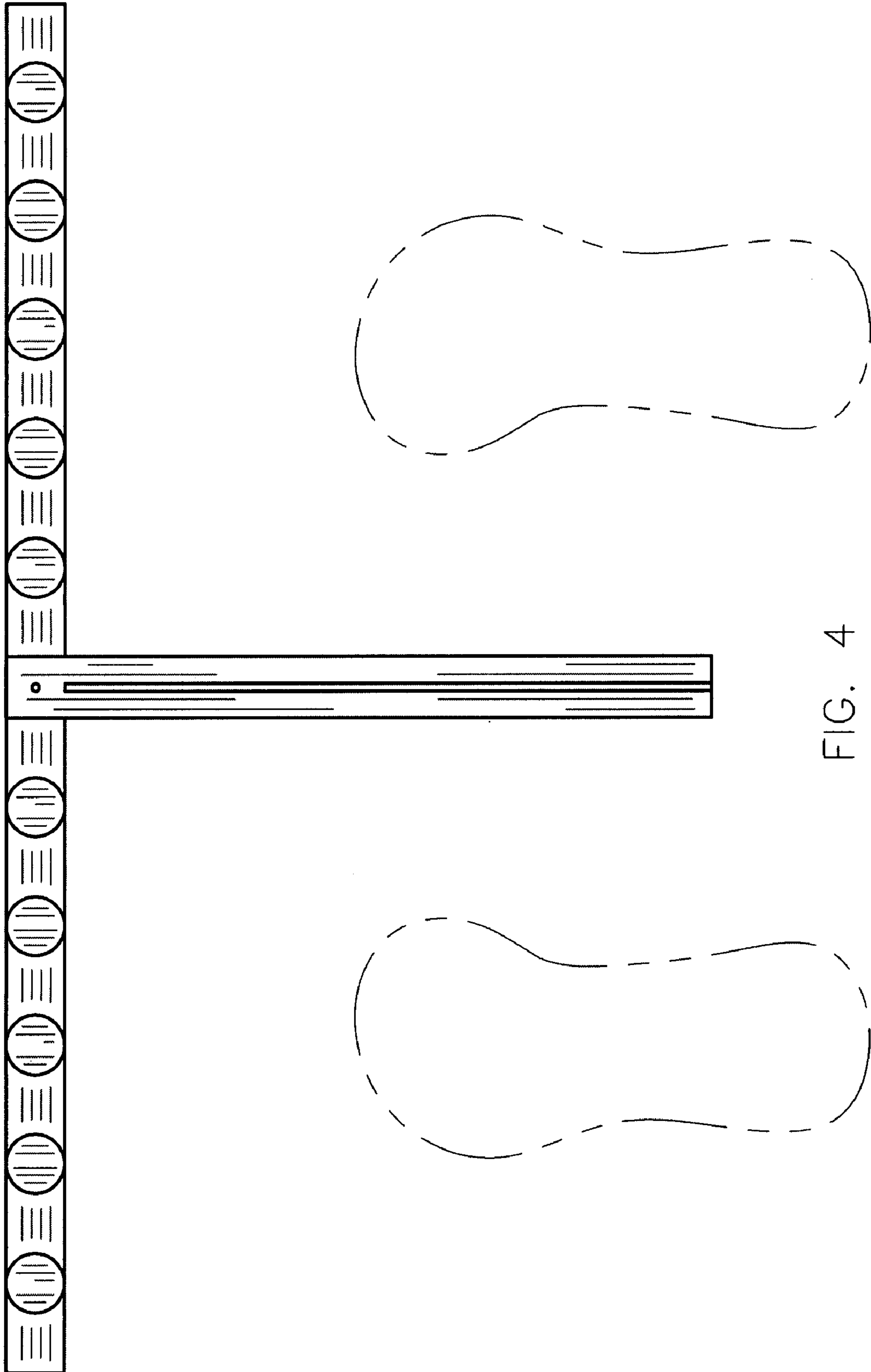


FIG. 4

FIG. 5

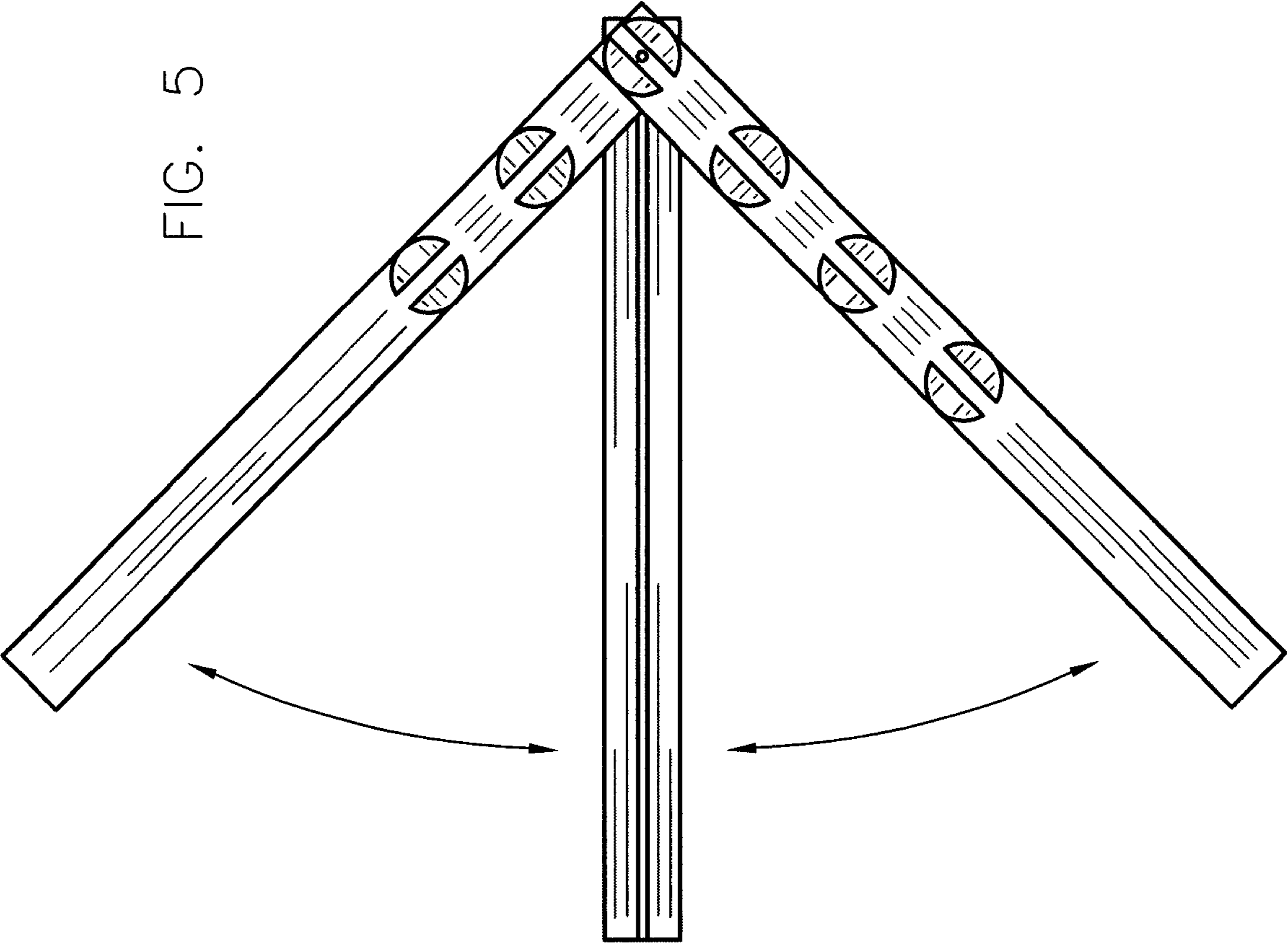


FIG. 6

