



US00D569470S

(12) **United States Design Patent**
Lengsavat

(10) **Patent No.:** **US D569,470 S**

(45) **Date of Patent:** **** May 20, 2008**

(54) **LASER PUTTING GOAL**

(76) Inventor: **Mixaykone Lengsavat**, 1584 Liberty Cir., Shakopee, MN (US) 55379

(**) Term: **14 Years**

(21) Appl. No.: **29/297,443**

(22) Filed: **Nov. 10, 2007**

(51) **LOC (8) Cl.** **21-02**

(52) **U.S. Cl.** **D21/790**

(58) **Field of Classification Search** D21/302, D21/303, 698-700, 789-796, 497, 506; 473/150-196, 473/198, 199, 220, 257, 404, 407, 411, 476, 473/478; 273/317.2, 108.2, 108.21, 127 R, 273/127 B

See application file for complete search history.

(56) **References Cited**

U.S. PATENT DOCUMENTS

1,098,513	A *	6/1914	Lefebre	273/127 B
1,833,524	A *	11/1931	Jaspert	473/185
2,010,282	A *	8/1935	Wannmacher	473/2
2,236,869	A *	4/1941	Daigle	473/182
2,383,866	A *	8/1945	Kling	473/180
2,869,875	A *	1/1959	Stenson	473/170
2,974,958	A *	3/1961	O'Herron	473/158

D310,246	S *	8/1990	Maloney, II	D21/790
5,310,187	A *	5/1994	Yamaguchi et al.	473/180
D425,596	S *	5/2000	Valvonis	D21/789
D477,044	S *	7/2003	Davis	D21/790
6,890,273	B1 *	5/2005	Perez	473/404
2002/0022530	A1 *	2/2002	Yoon	473/150
2006/0252567	A1 *	11/2006	Donovan et al.	473/173
2007/0167205	A1 *	7/2007	Whitfield	463/11

* cited by examiner

Primary Examiner—Catherine Tuttle

(57) **CLAIM**

The ornamental design for the laser putting goal, as shown and described.

DESCRIPTION

FIG. 1 is a front elevational view of the laser putting goal showing my new design;

FIG. 2 is a rear elevational view thereof;

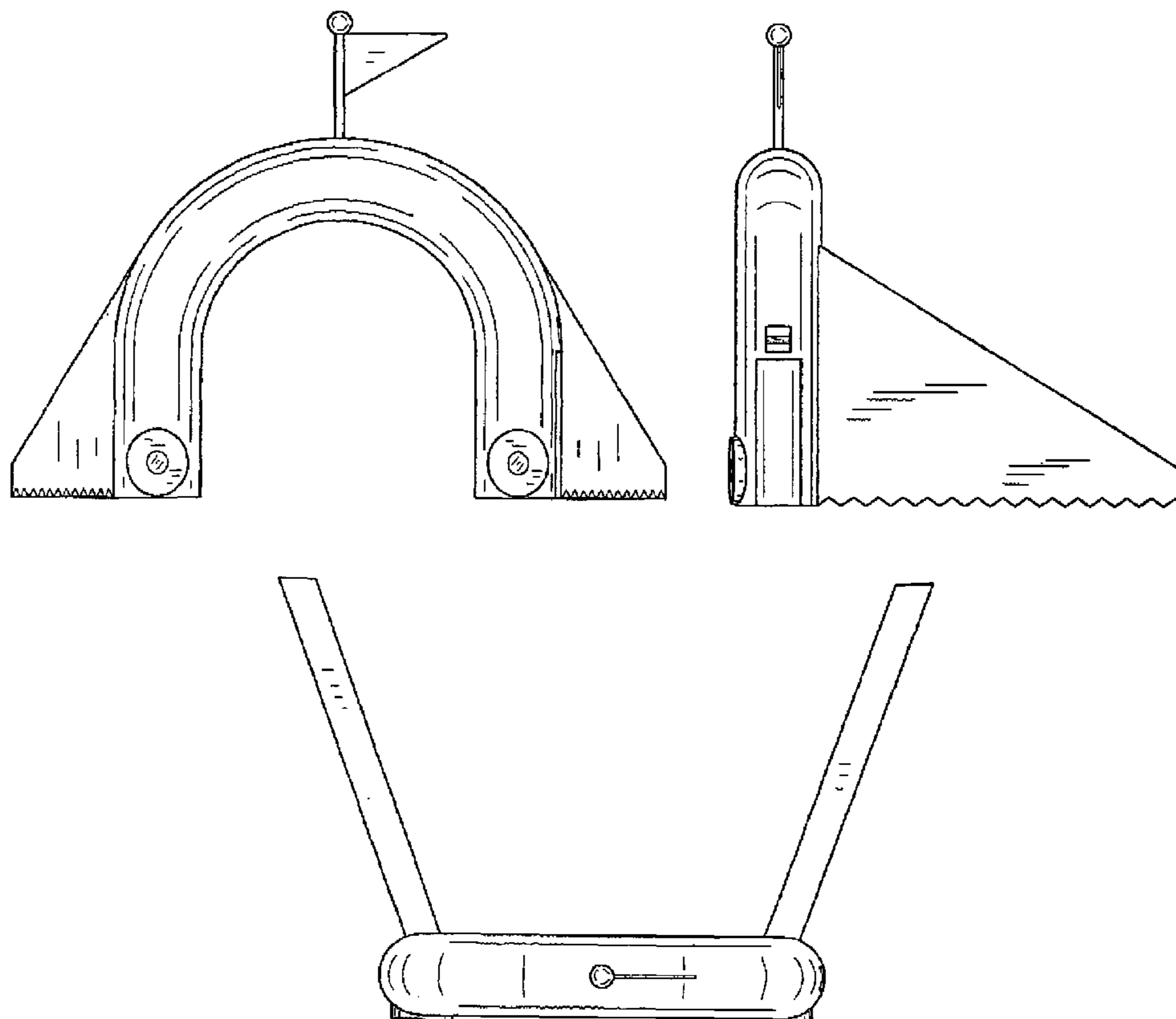
FIG. 3 is a left-side elevational view thereof;

FIG. 4 is right side elevational view thereof;

FIG. 5 is a top plan view thereof; and,

FIG. 6 is a bottom plan view thereof.

1 Claim, 3 Drawing Sheets



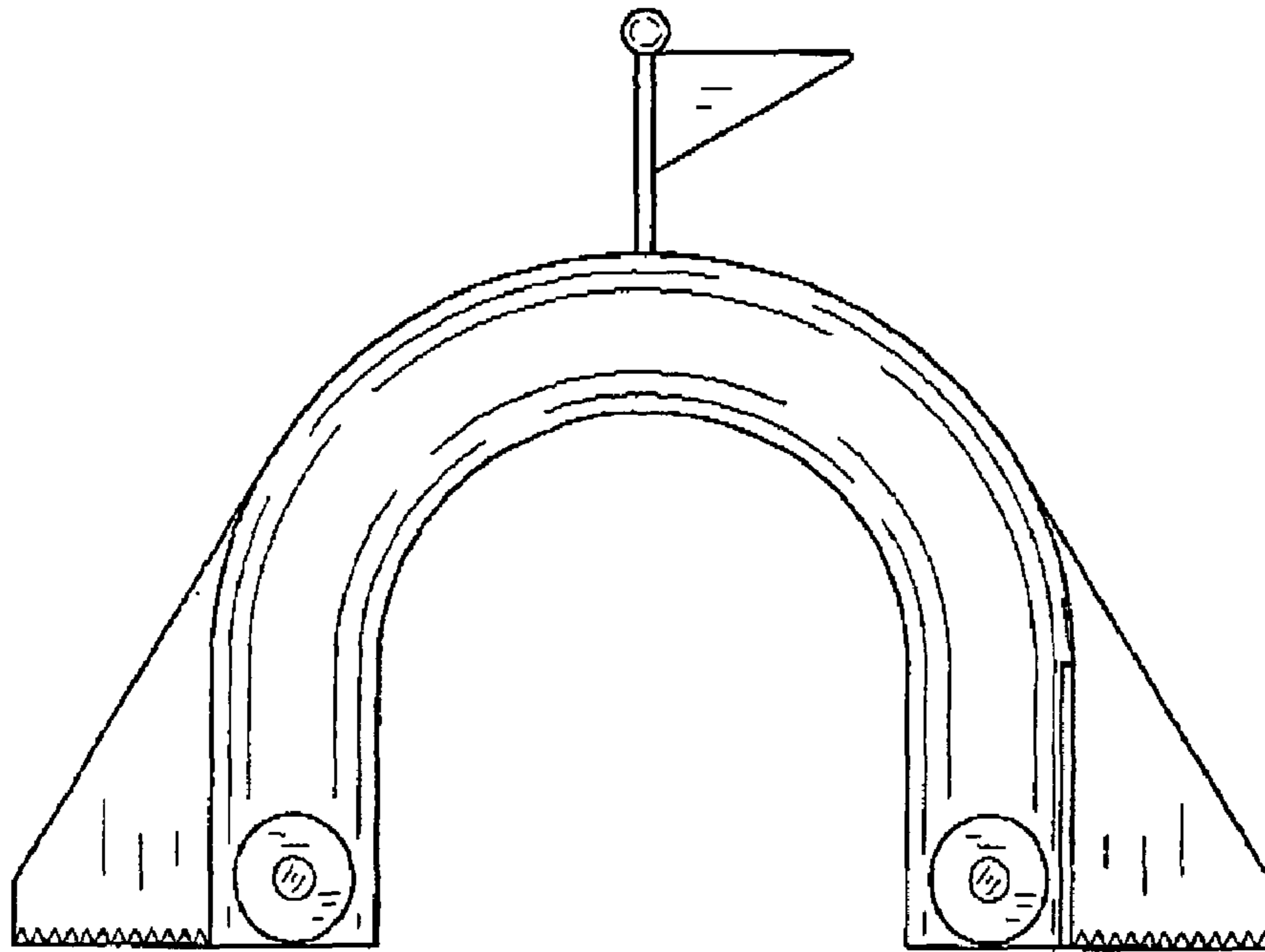


FIG. 1

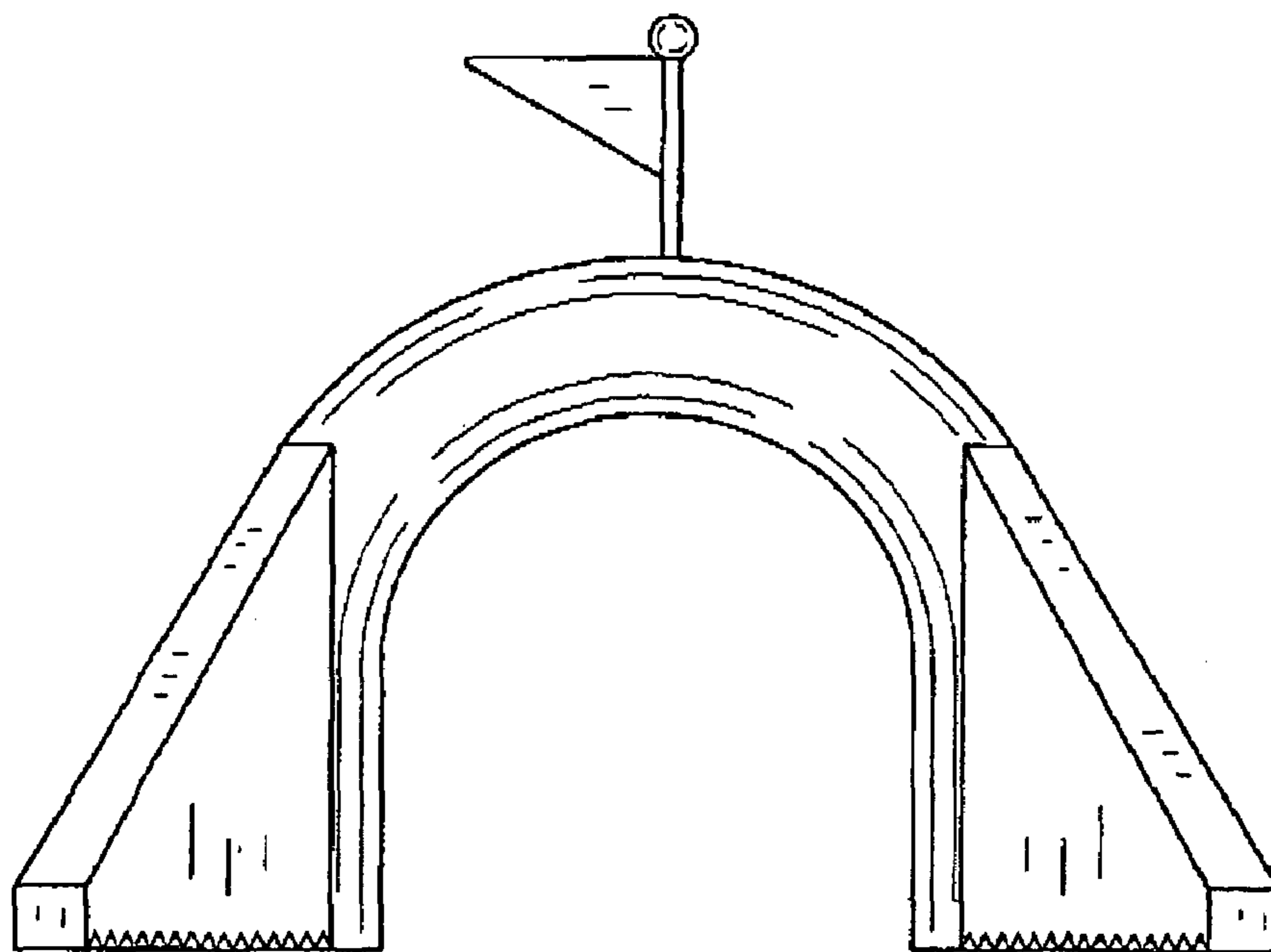


FIG. 2

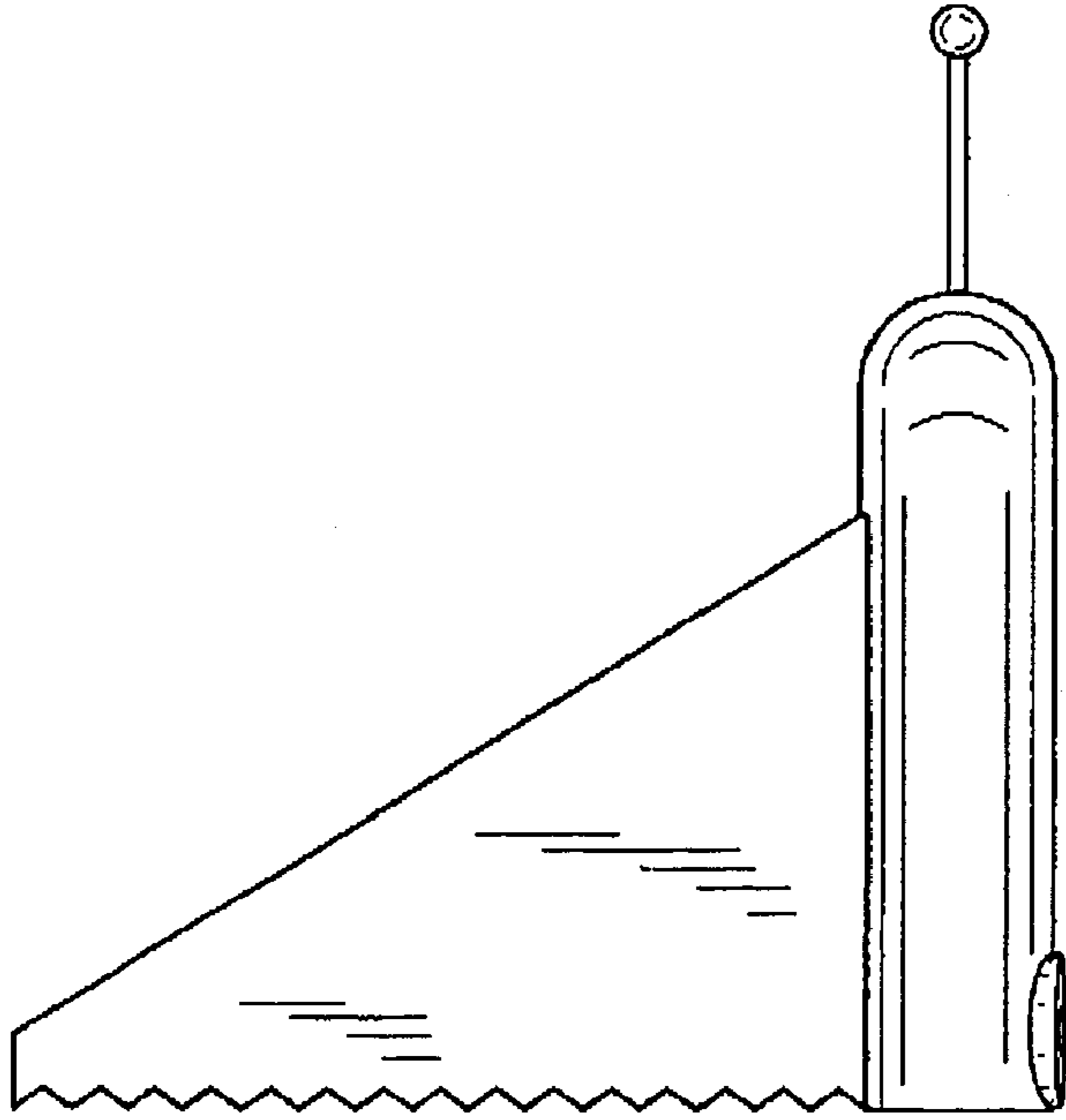


FIG. 3

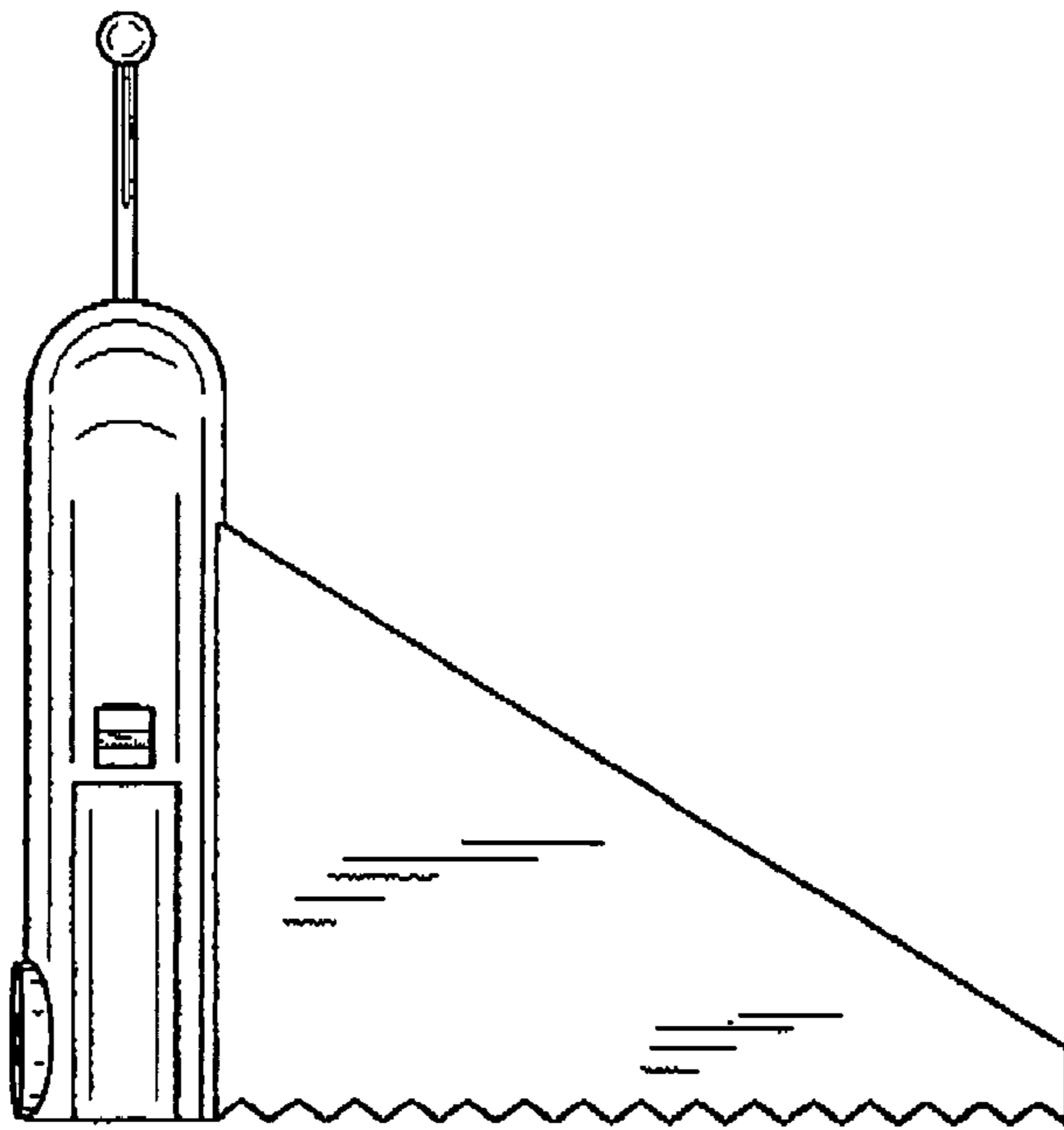


FIG. 4

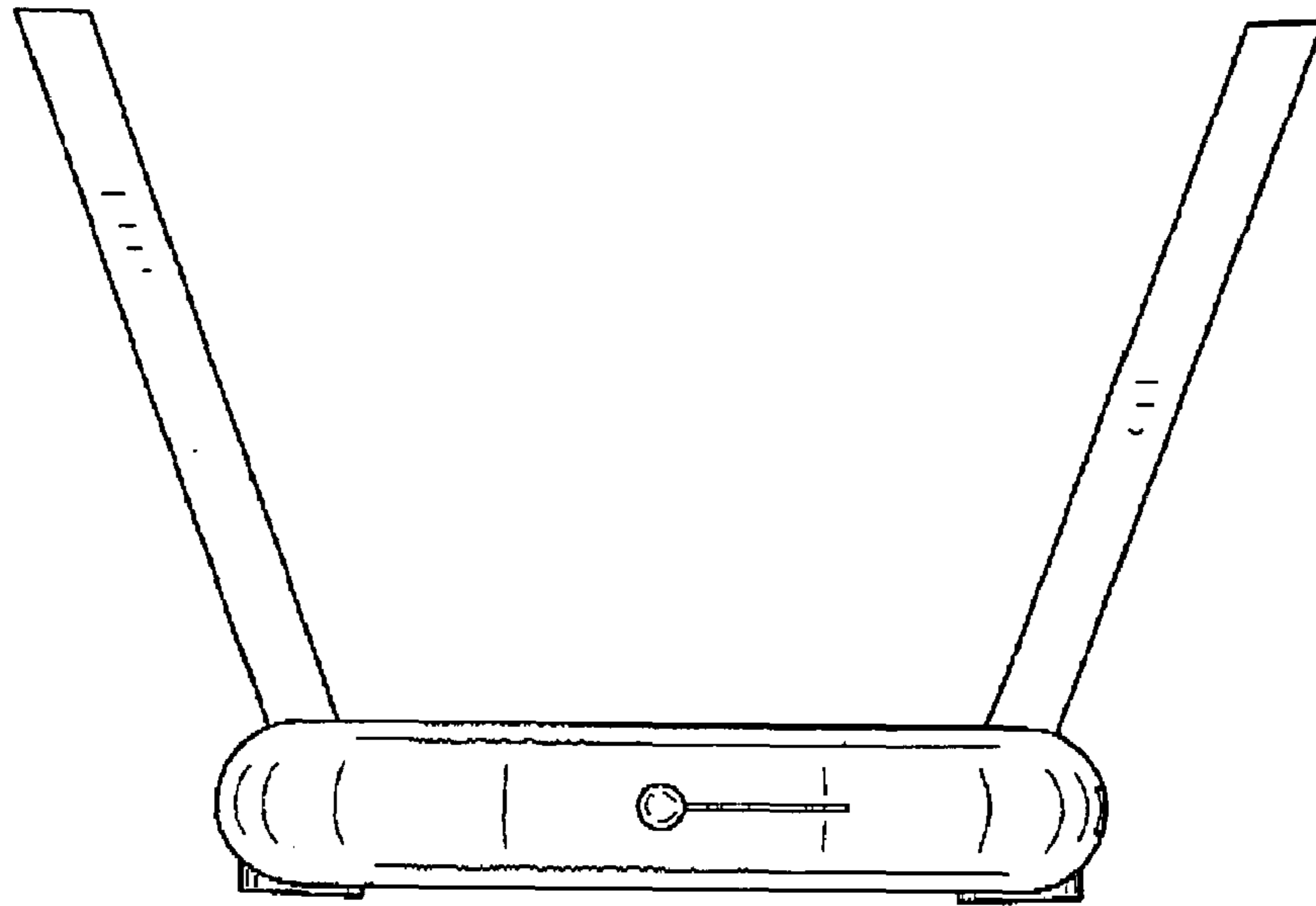


FIG. 5

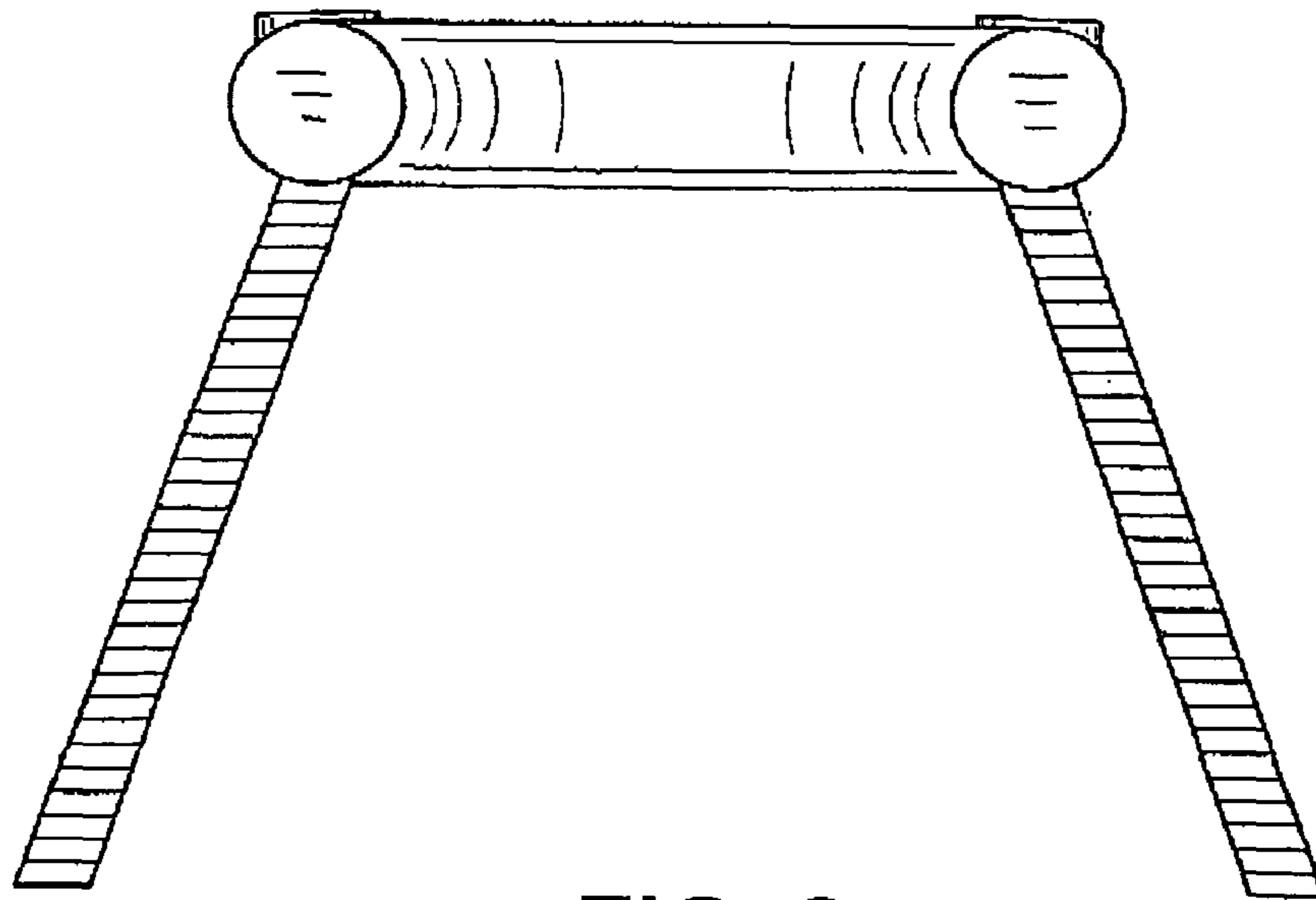


FIG. 6