



US00D569469S

(12) **United States Design Patent**
Dingman et al.

(10) **Patent No.:** **US D569,469 S**

(45) **Date of Patent:** **** May 20, 2008**

(54) **PUTTING ALIGNMENT SYSTEM**

(76) Inventors: **Darin Dingman**, 31475 Myrna St.,
Livonia, MI (US) 48154; **Dean**
Dingman, 8130 Southshore Dr.,
Brighton, MI (US) 48114

(**) Term: **14 Years**

(21) Appl. No.: **29/272,834**

(22) Filed: **Feb. 15, 2007**

(51) **LOC (8) Cl.** **21-02**

(52) **U.S. Cl.** **D21/789**

(58) **Field of Classification Search** D21/709,
D21/789, 791, 793-794; 473/406, 407
See application file for complete search history.

(56) **References Cited**

U.S. PATENT DOCUMENTS

D301,554 S *	6/1989	Ogawa	D21/794
D323,301 S *	1/1992	Cheng	D21/794
D380,801 S *	7/1997	Steele	D21/744
D405,856 S *	2/1999	Tang et al.	D21/744
D410,717 S *	6/1999	Anderson	D21/738
6,216,587 B1 *	4/2001	Foley	101/35
6,409,610 B1	6/2002	Ahn et al.		
6,422,942 B1	7/2002	Jeffway, Jr. et al.		
D507,318 S *	7/2005	Garcia	D21/744

6,974,395 B1	12/2005	Rioux et al.		
D531,248 S *	10/2006	Burnett	D21/789
D542,875 S *	5/2007	Rankin et al.	D21/789
D558,291 S *	12/2007	Burnett	D21/789

* cited by examiner

Primary Examiner—Mitchell I Siegel

(74) *Attorney, Agent, or Firm*—Harness, Dickey & Pierce,
P.L.C.

(57) **CLAIM**

The ornamental design for a putting alignment system, as shown and described.

DESCRIPTION

FIG. 1 is a perspective view of a putting alignment system having a putter with markings and a ball-marking guide;

FIG. 2 is a front elevational view thereof;

FIG. 3 is a rear elevational view thereof;

FIG. 4 is a top elevational view thereof;

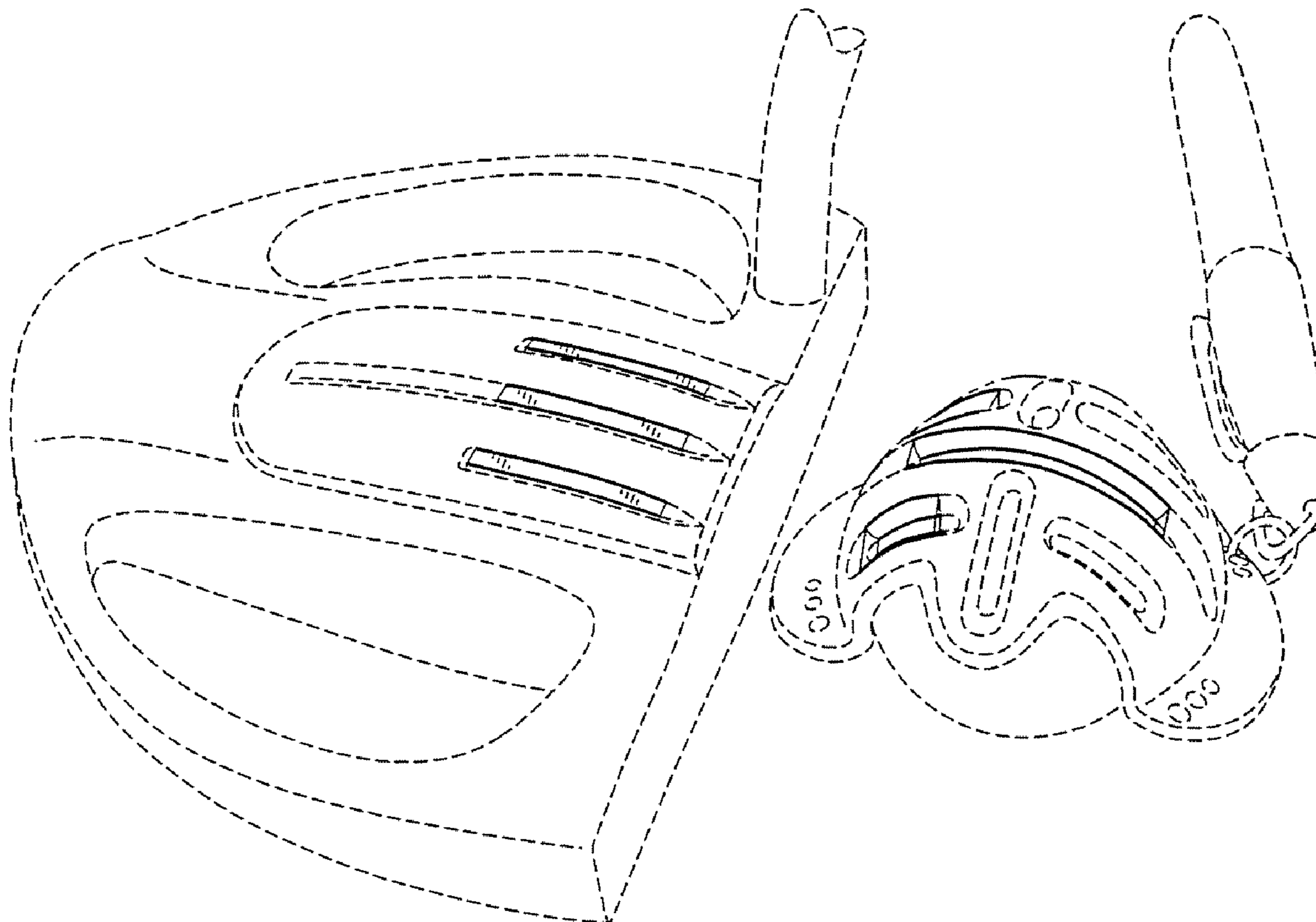
FIG. 5 is a right-side elevational view thereof;

FIG. 6 is a left-side elevational view thereof; and,

FIG. 7 is a bottom elevational view thereof.

The broken line showing is for illustrative purposes only and forms no part of the invention.

1 Claim, 3 Drawing Sheets



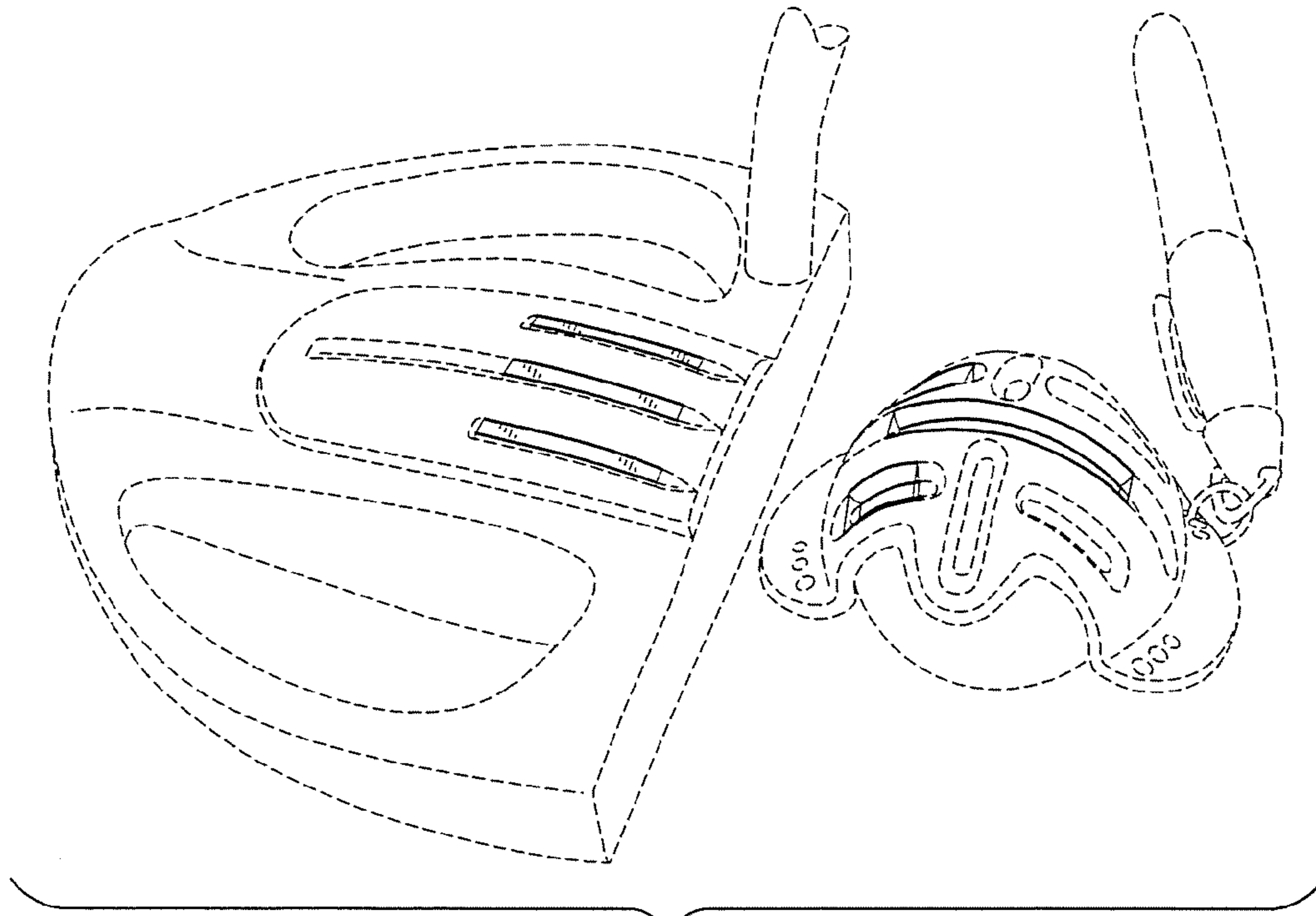


FIG. 1

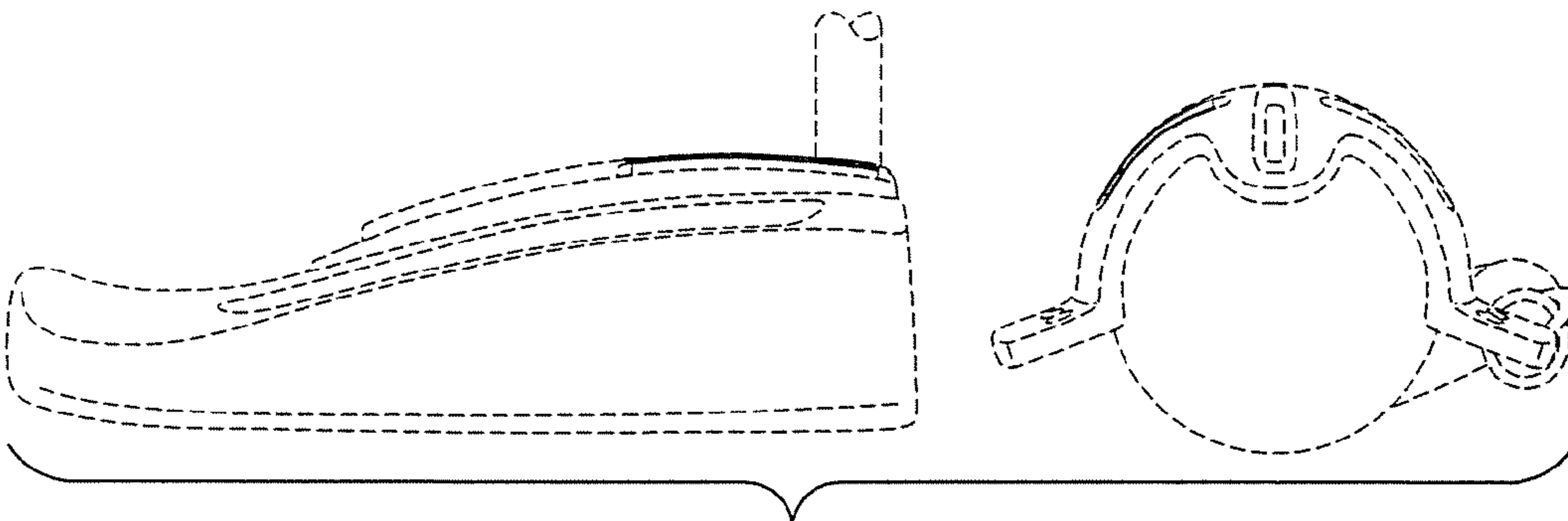


FIG. 2

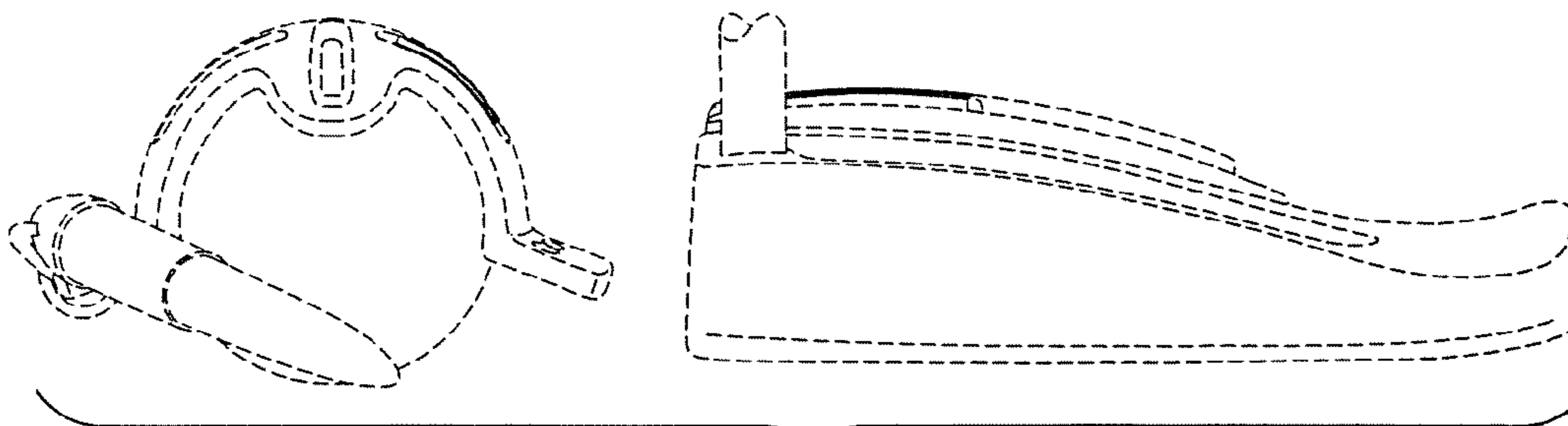


FIG. 3

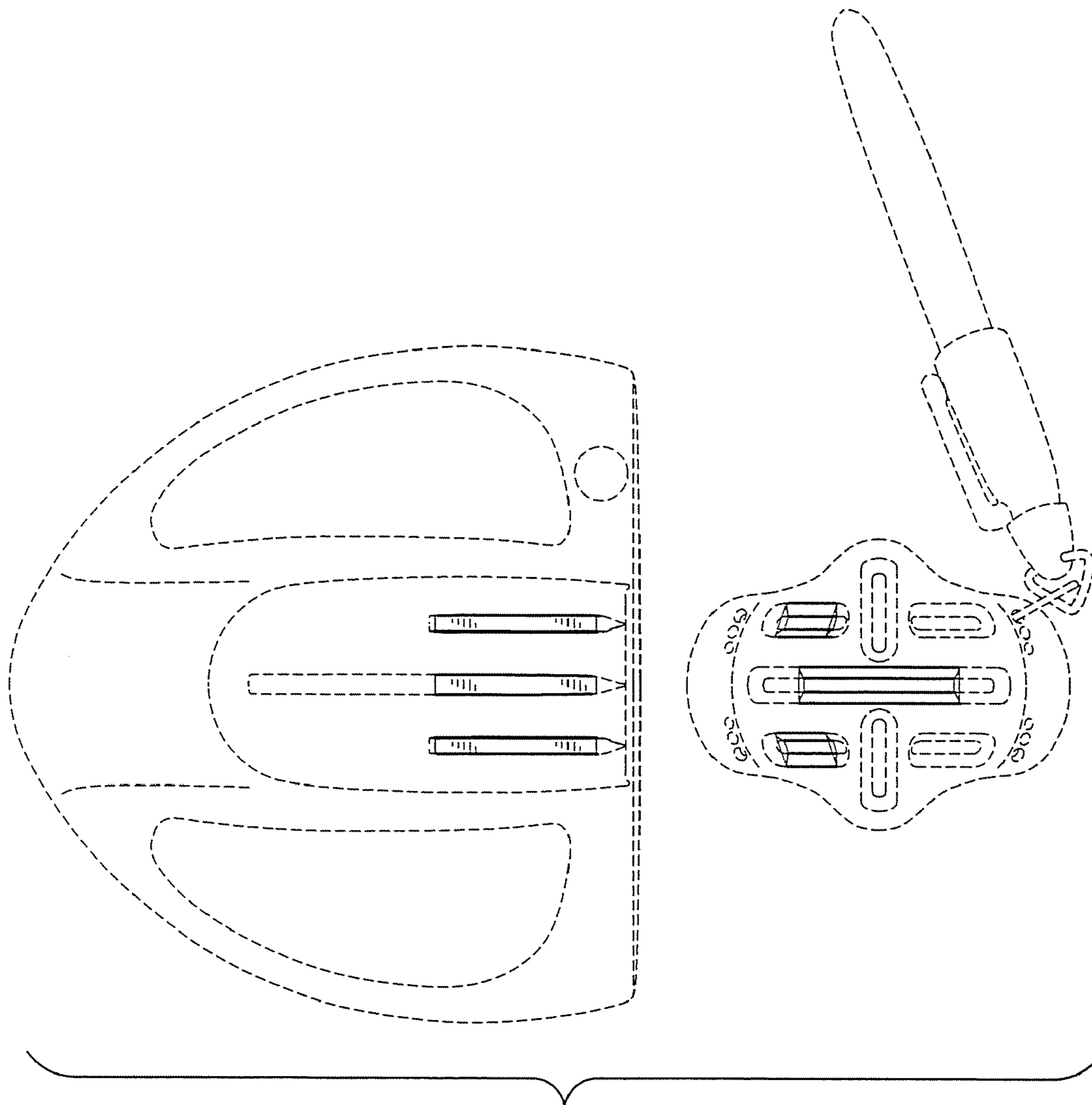


FIG. 4

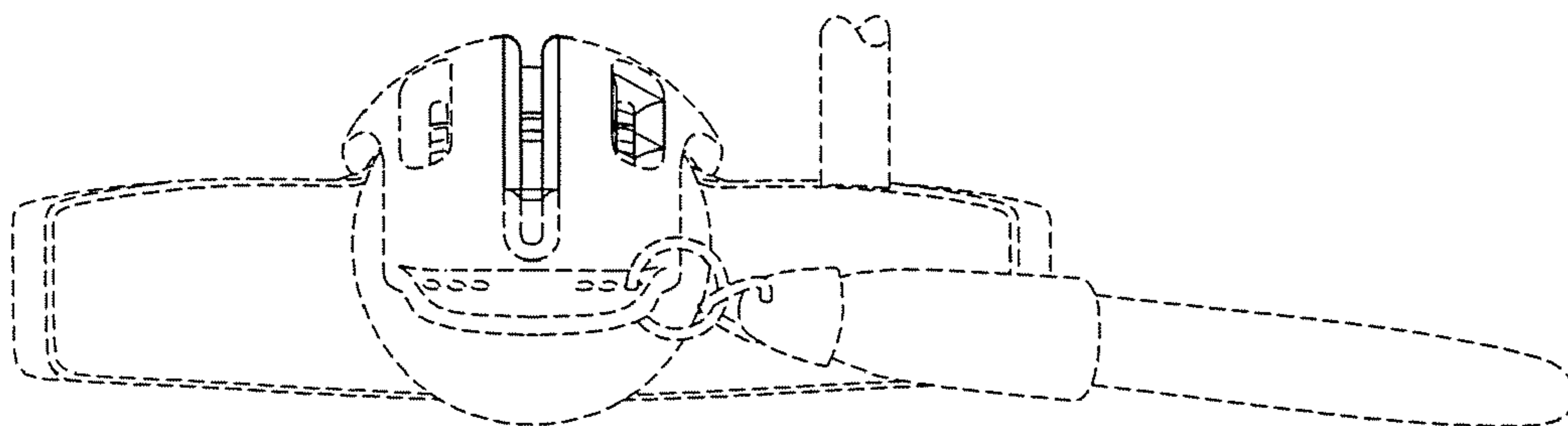


FIG. 5

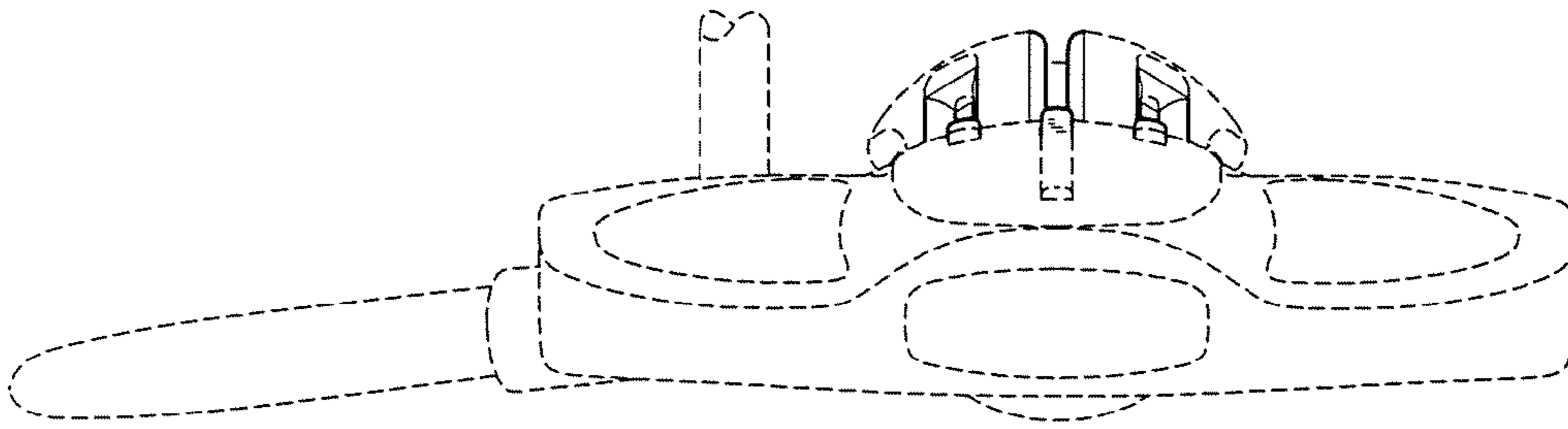


FIG. 6

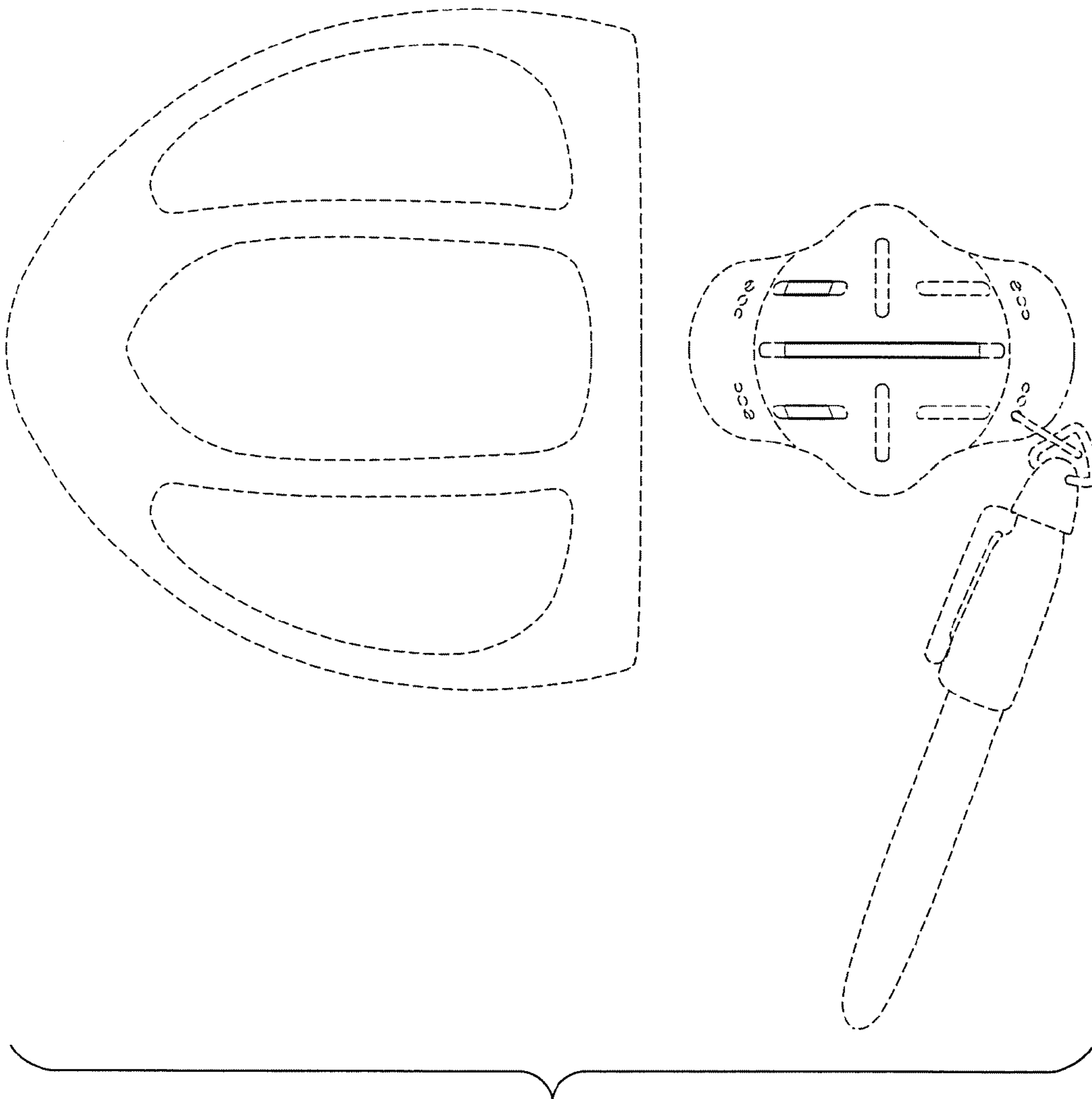


FIG. 7