



US00D569462S

(12) **United States Design Patent**
Rollinson

(10) **Patent No.:** **US D569,462 S**

(45) **Date of Patent:** **** May 20, 2008**

(54) **PUTTER HEAD**

D545,385 S * 6/2007 Tang et al. D21/736
D548,296 S * 8/2007 Rollinson D21/744
D557,361 S * 12/2007 Rollinson D21/743

(75) Inventor: **Augustin W. Rollinson**, Carlsbad, CA
(US)

* cited by examiner

(73) Assignee: **Callaway Golf Company**, Carlsbad,
CA (US)

Primary Examiner—Mitchell I Siegel
(74) *Attorney, Agent, or Firm*—Michael A. Catania; Elaine
H. Lo

(**) Term: **14 Years**

(21) Appl. No.: **29/280,544**

(57) **CLAIM**

(22) Filed: **May 31, 2007**

The ornamental design for a putter head, as shown and
described.

(51) **LOC (8) Cl.** **21-02**

(52) **U.S. Cl.** **D21/744**

(58) **Field of Classification Search** D21/736–746;
473/324–331, 340–341, 251–156
See application file for complete search history.

DESCRIPTION

(56) **References Cited**

U.S. PATENT DOCUMENTS

5,685,784 A * 11/1997 Butler 473/340
D472,594 S * 4/2003 Tang et al. D21/735
D472,595 S * 4/2003 Tang et al. D21/735
D483,824 S * 12/2003 Tang et al. D21/738
D502,235 S * 2/2005 Burrows D21/742
D518,127 S * 3/2006 Tang et al. D21/742

FIG. 1 is a top perspective view of a putter head as claimed
herein;

FIG. 2 is a front elevational view thereof;

FIG. 3 is a top plan view thereof;

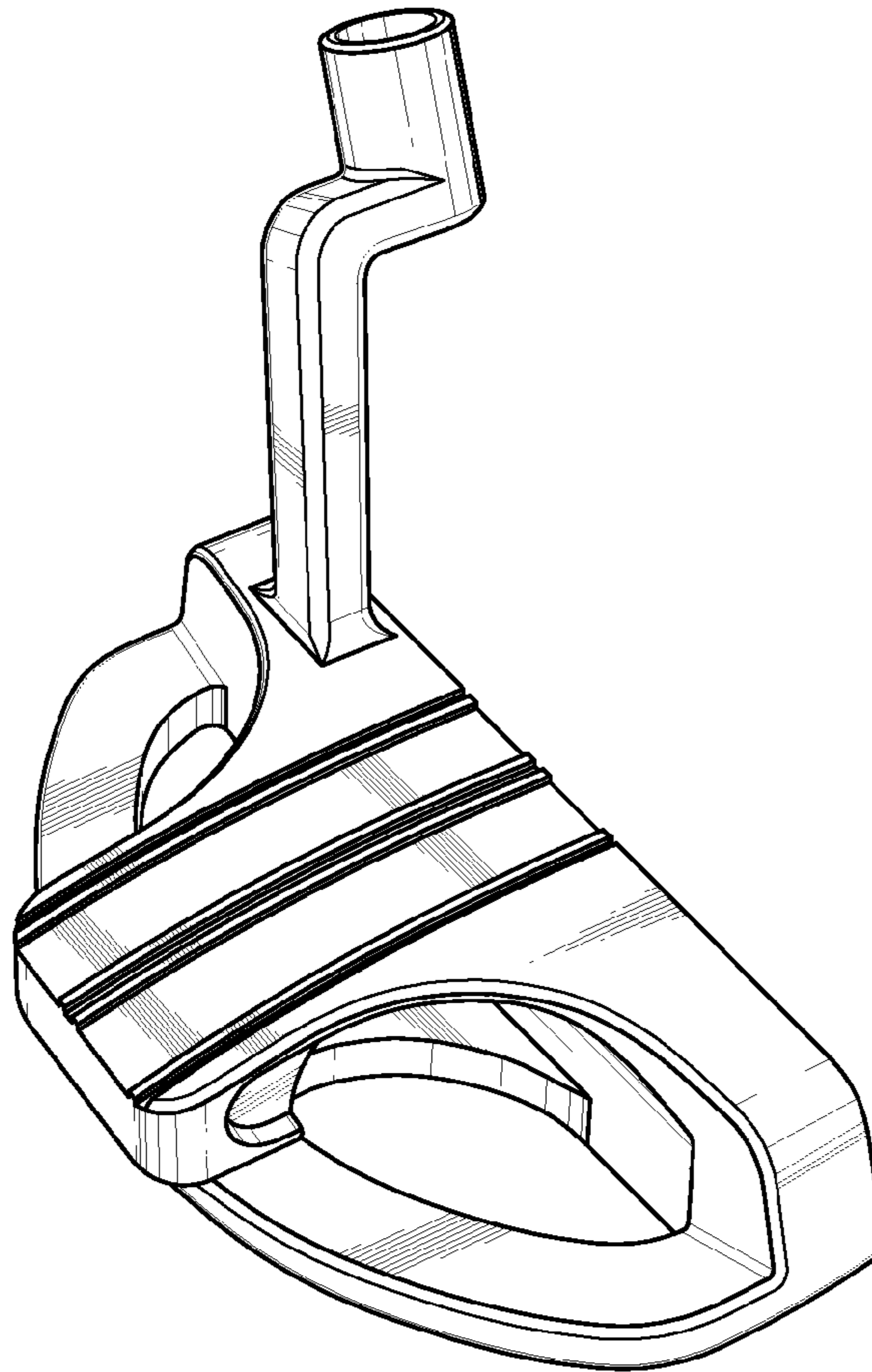
FIG. 4 is a rear elevational view thereof;

FIG. 5 is a bottom plan view thereof

FIG. 6 is a heel elevational view thereof; and,

FIG. 7 is a toe elevational view thereof.

1 Claim, 3 Drawing Sheets



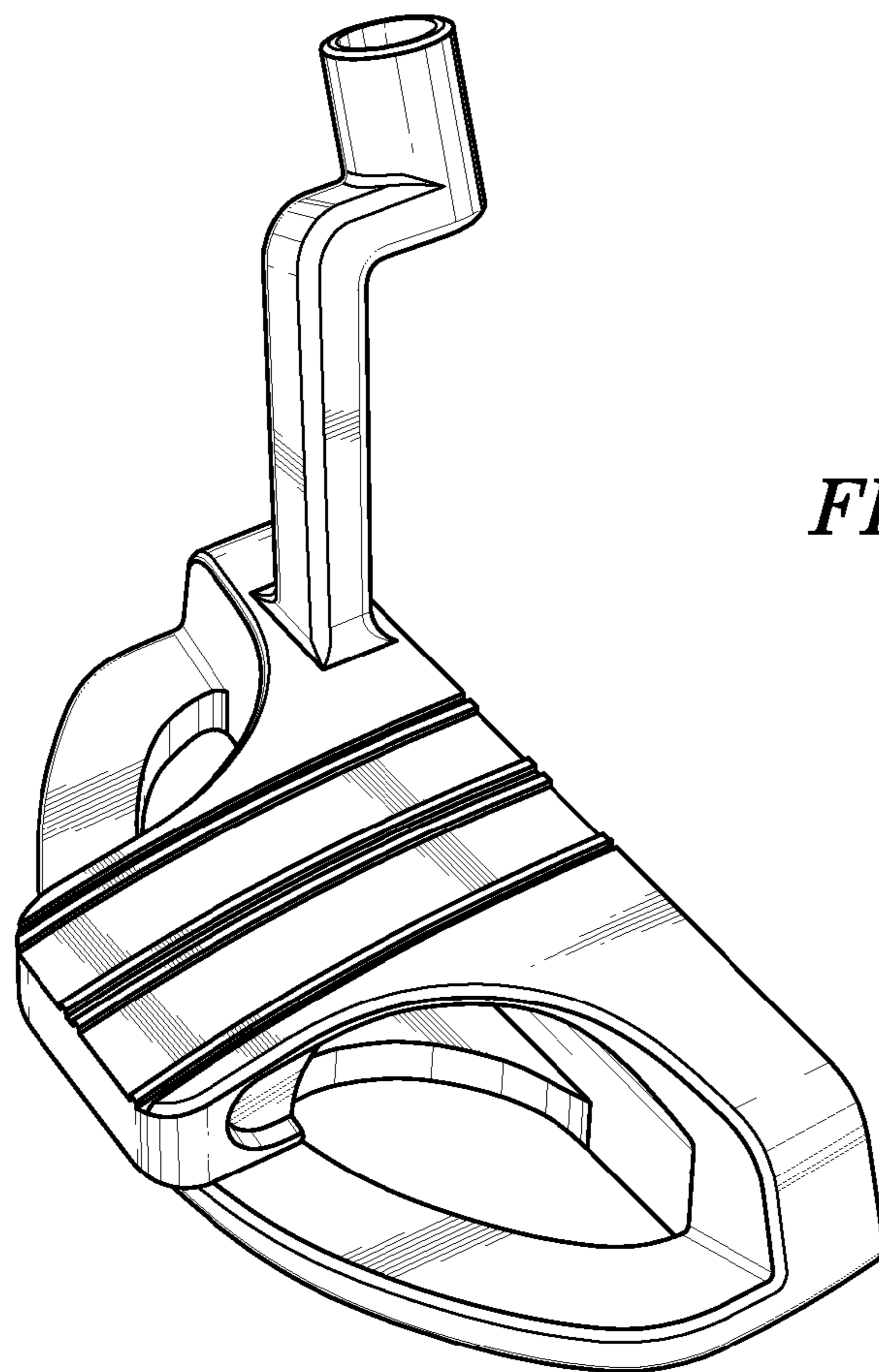


FIG. 1

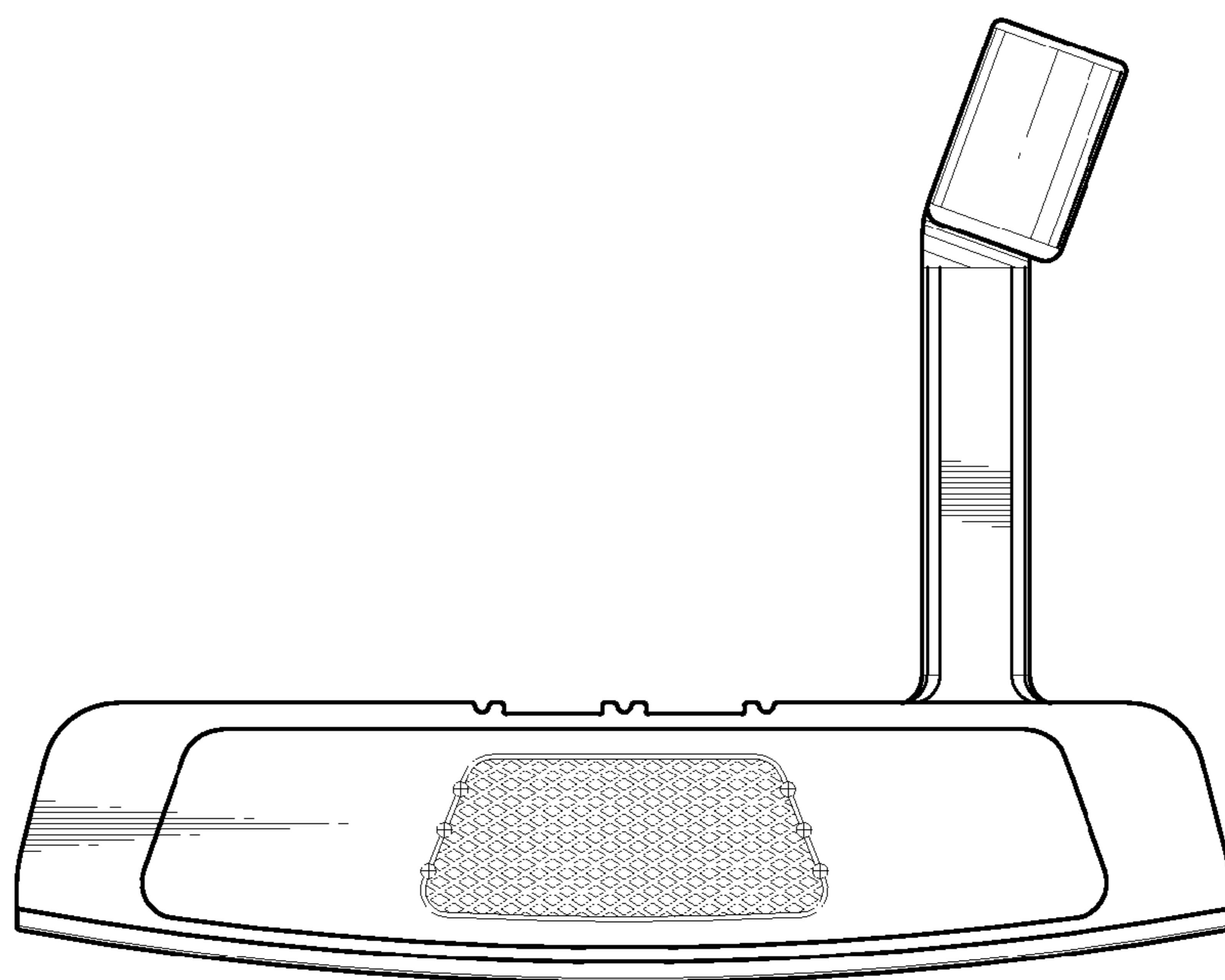


FIG. 2

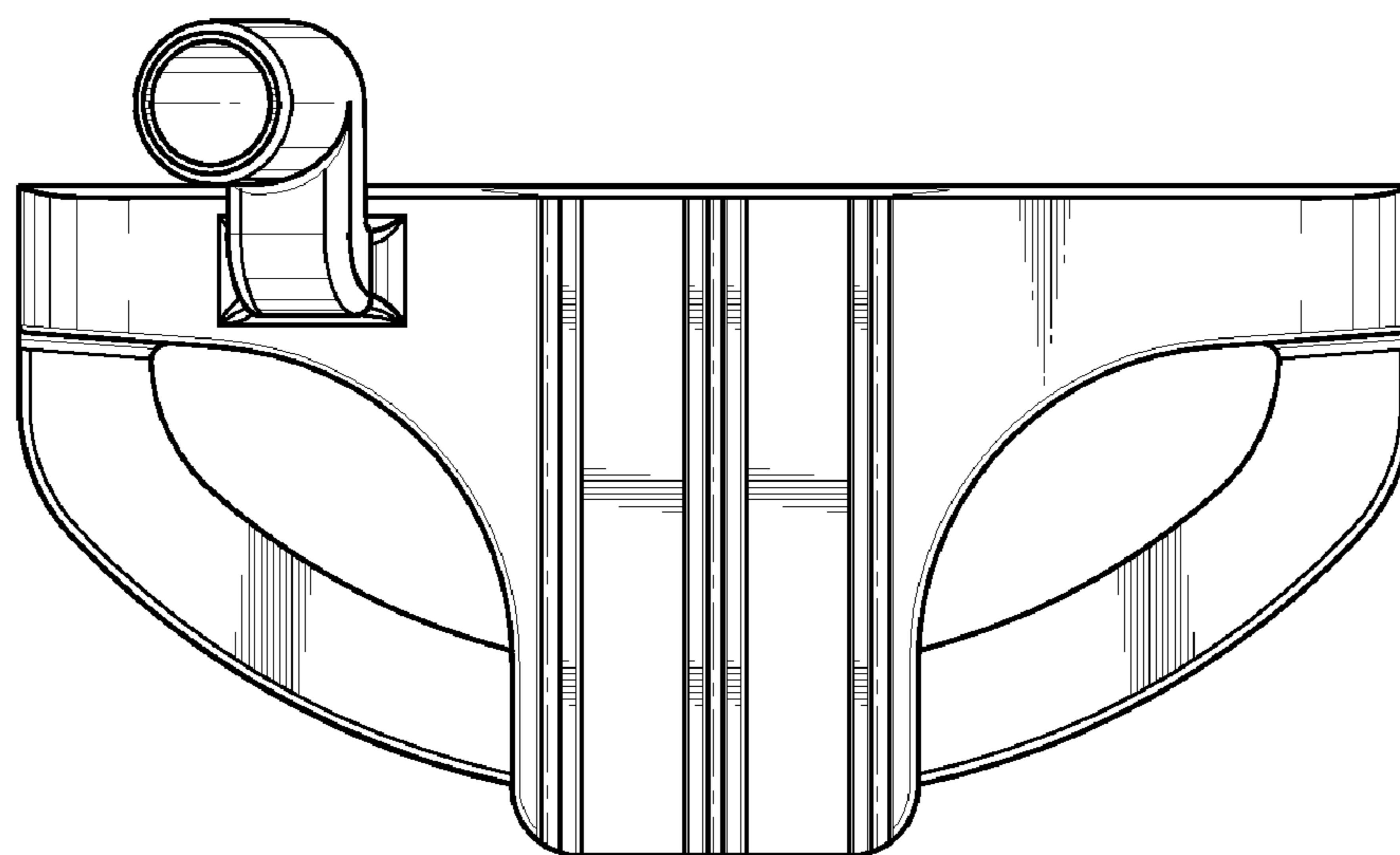


FIG. 3

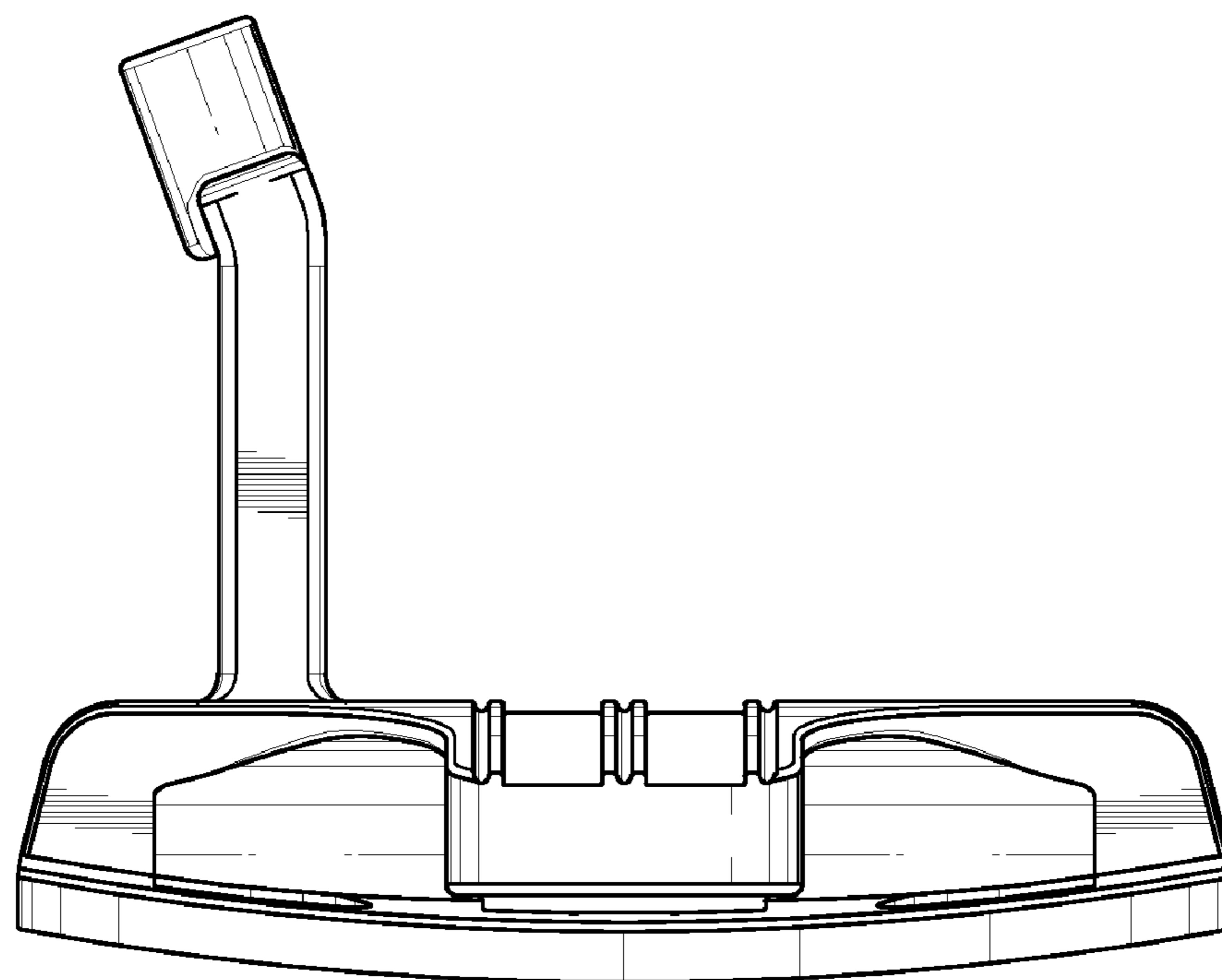


FIG. 4

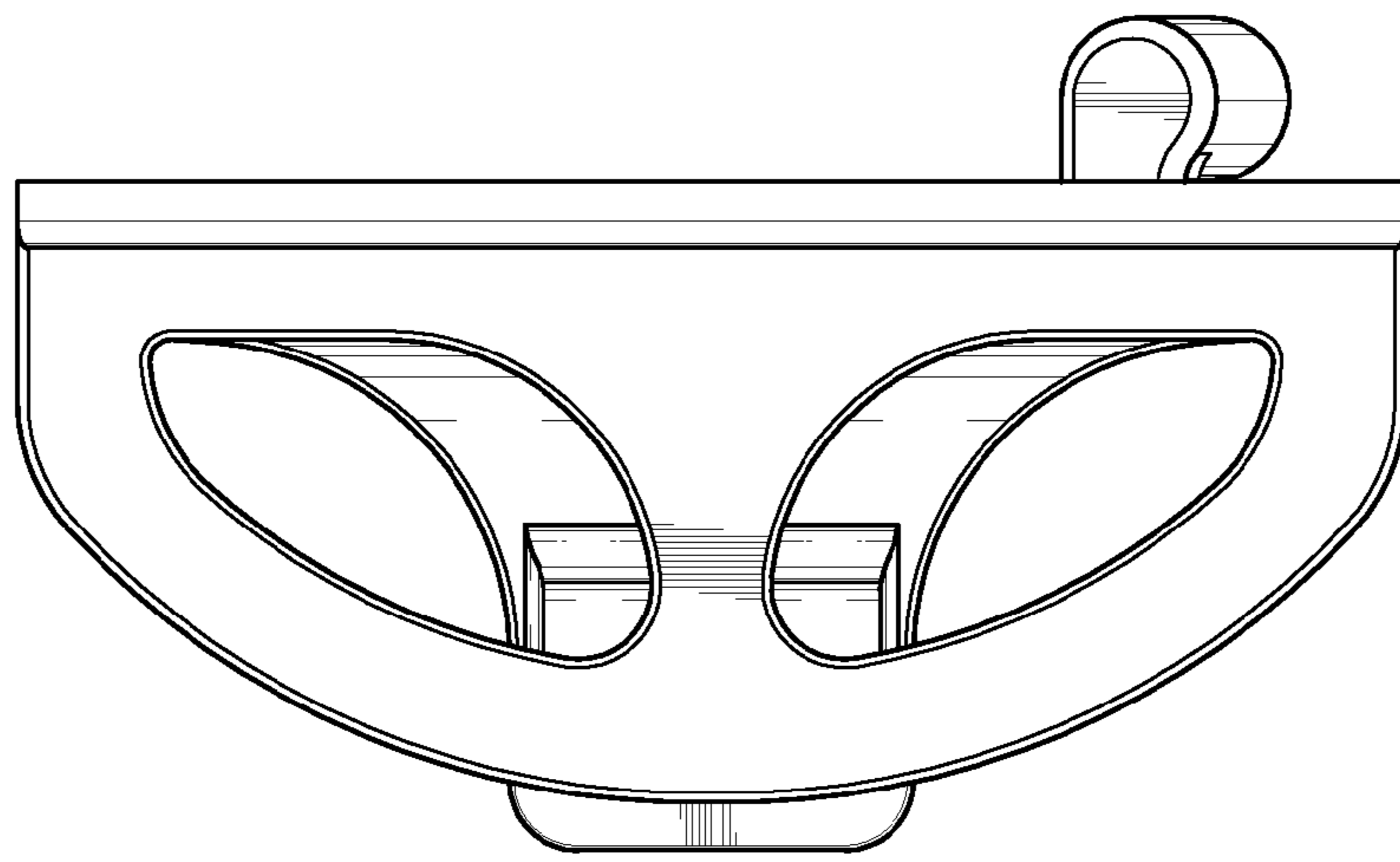


FIG. 5

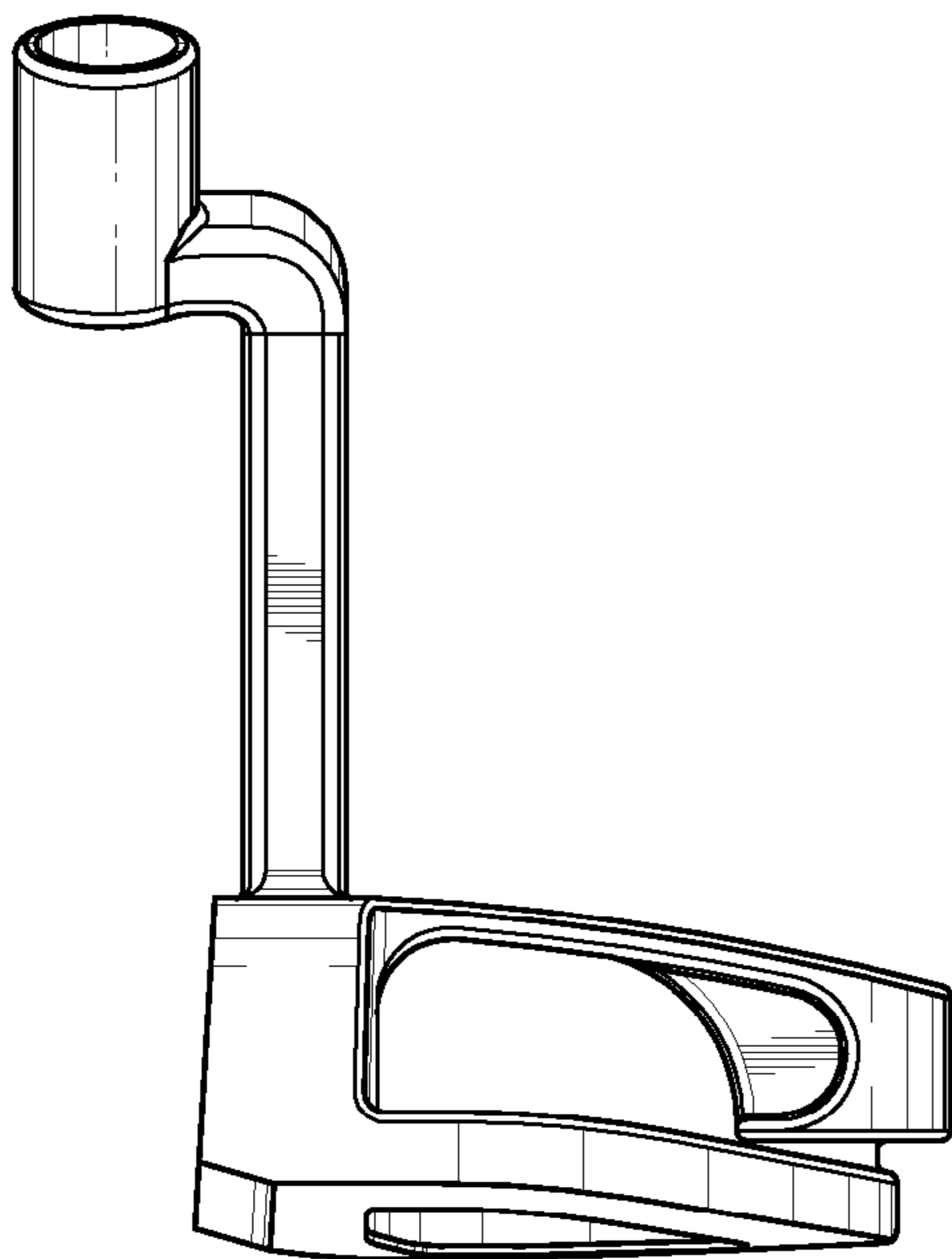


FIG. 6

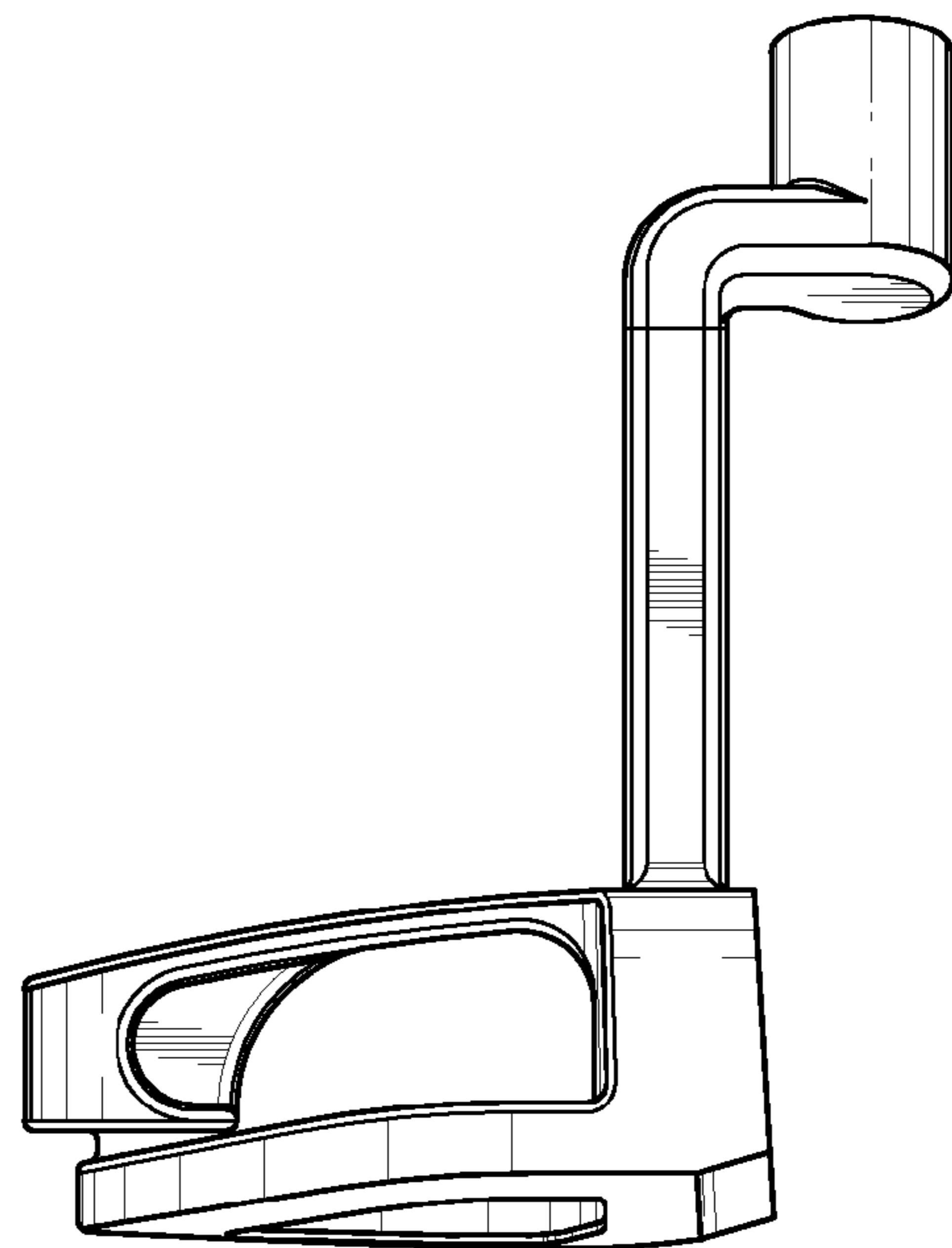


FIG. 7