

US00D569461S

(12) **United States Design Patent**
Morris

(10) **Patent No.:** **US D569,461 S**

(45) **Date of Patent:** **** May 20, 2008**

(54) **PUTTER HEAD**

(75) **Inventor:** **Thomas C. Morris**, Carlsbad, CA (US)

(73) **Assignee:** **Acushnet Company**, Fairhaven, MA (US)

(**) **Term:** **14 Years**

(21) **Appl. No.:** **29/276,027**

(22) **Filed:** **Jan. 12, 2007**

(51) **LOC (8) Cl.** **21-02**

(52) **U.S. Cl.** **D21/744**

(58) **Field of Classification Search** D21/736-746;
473/324-331, 340-341, 251-256

See application file for complete search history.

(56) **References Cited**

U.S. PATENT DOCUMENTS

D488,526 S *	4/2004	Souza et al.	D21/738
D493,857 S	8/2004	Cameron	
D496,417 S *	9/2004	Tang	D21/738
D507,317 S *	7/2005	Garner et al.	D21/743
D507,612 S	7/2005	Souza et al.	

D508,273 S *	8/2005	Garner et al.	D21/743
D510,394 S *	10/2005	Tang et al.	D21/742
D521,582 S	5/2006	Souza et al.	
D532,067 S *	11/2006	Soracco et al.	D21/742

* cited by examiner

Primary Examiner—Mitchell Siegel

(74) *Attorney, Agent, or Firm*—Kristin D. Wheeler

(57) **CLAIM**

The ornamental design for a putter head, as shown and described.

DESCRIPTION

FIG. 1 is a top perspective view of my new design for a putter head;

FIG. 2 is a front view thereof;

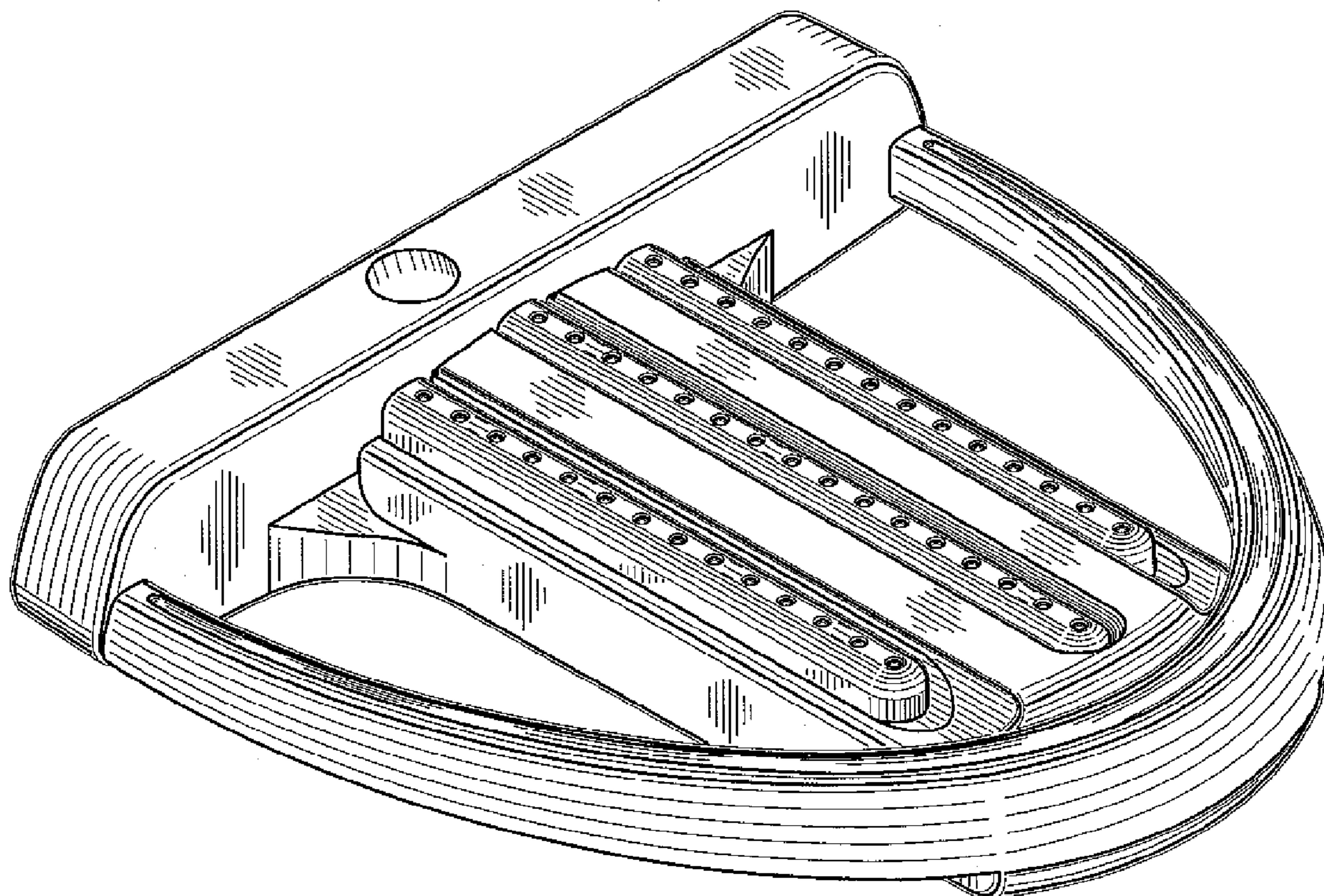
FIG. 3 is a top view thereof;

FIG. 4 is a back view thereof;

FIG. 5 is a heel side view thereof; and,

FIG. 6 is a bottom view thereof.

1 Claim, 3 Drawing Sheets



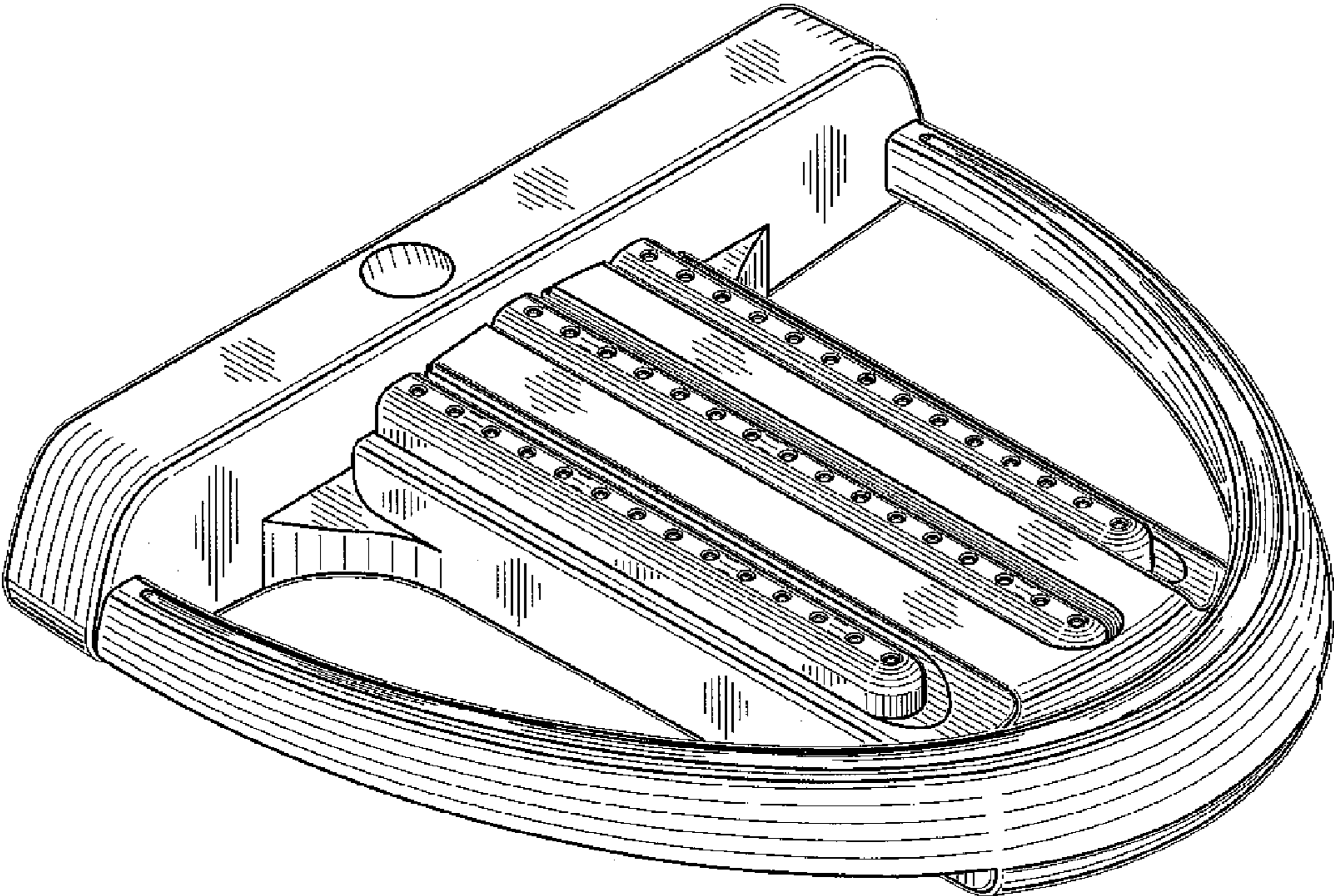


FIG. 1

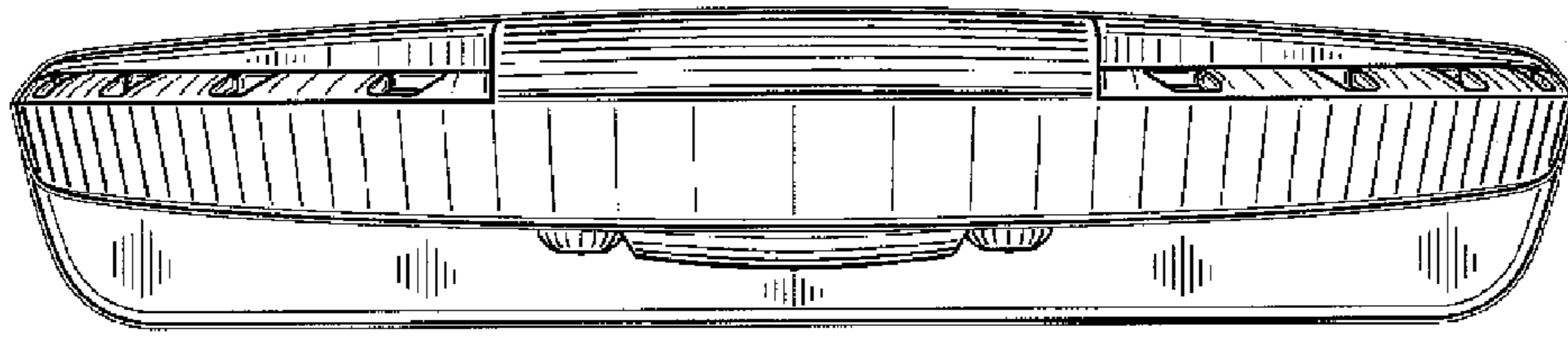


FIG. 4

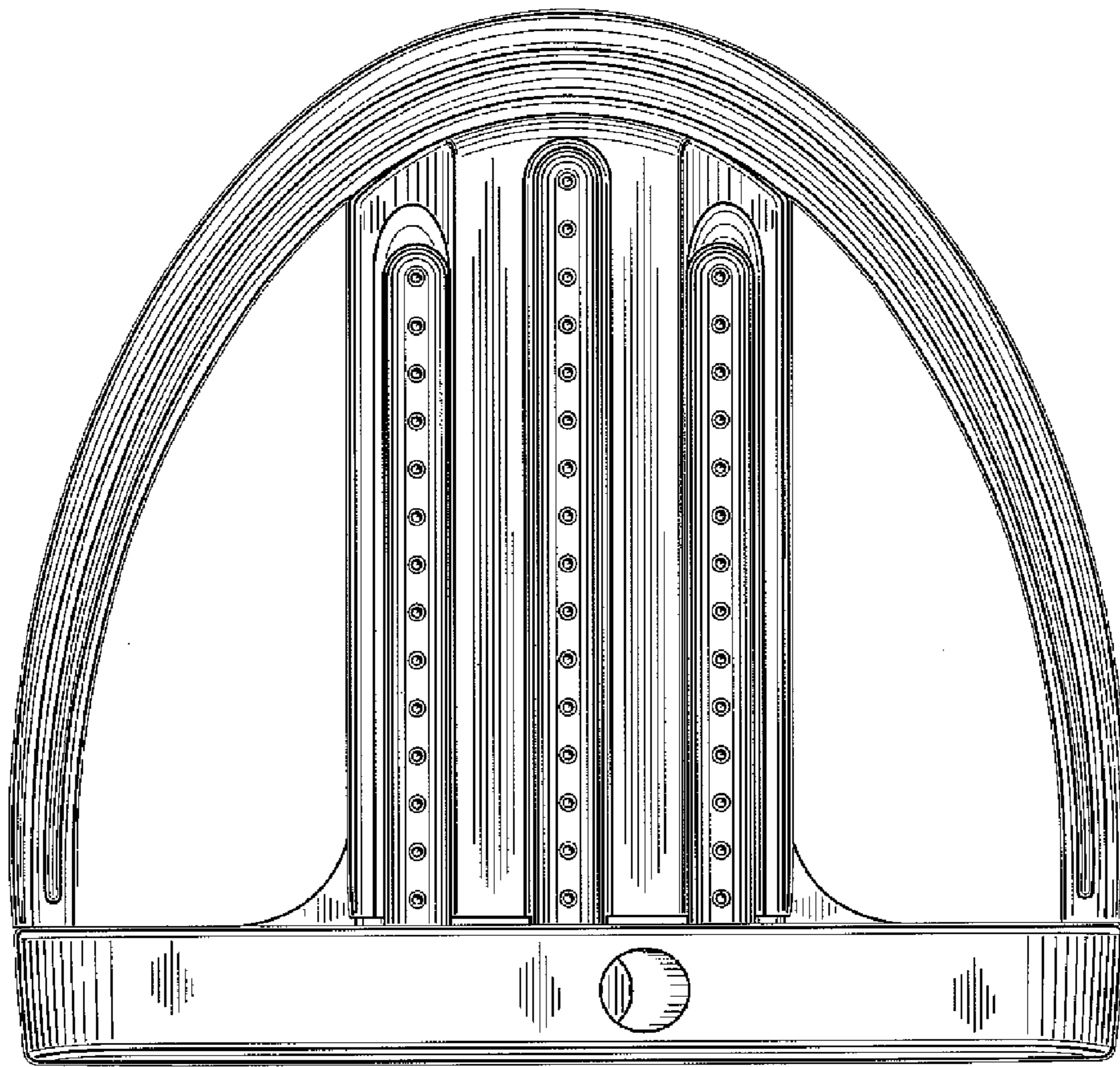


FIG. 3

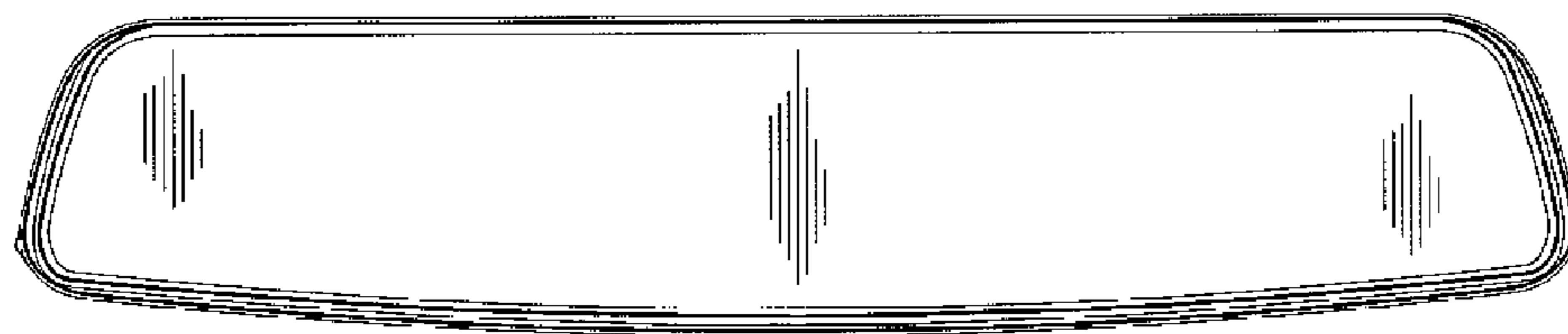


FIG. 2

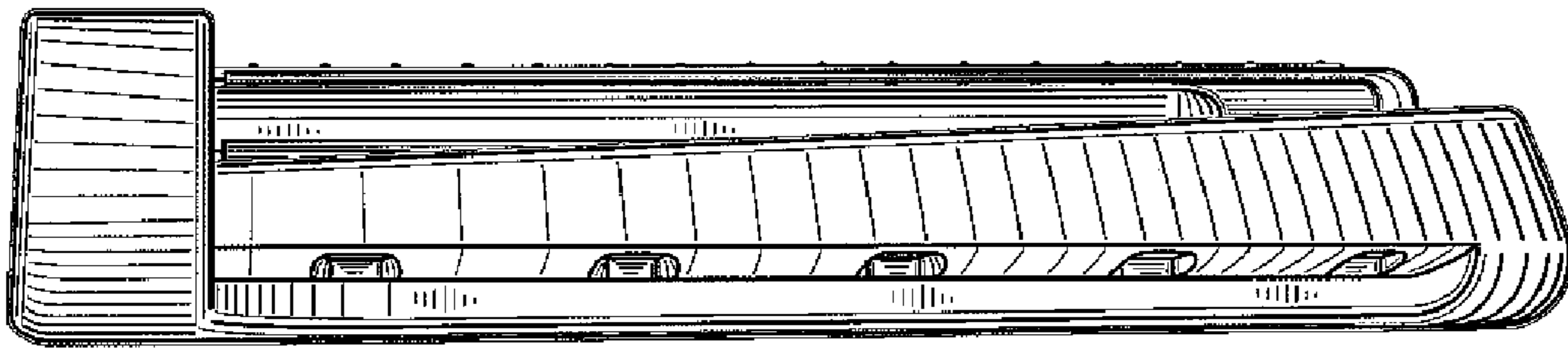


FIG. 5

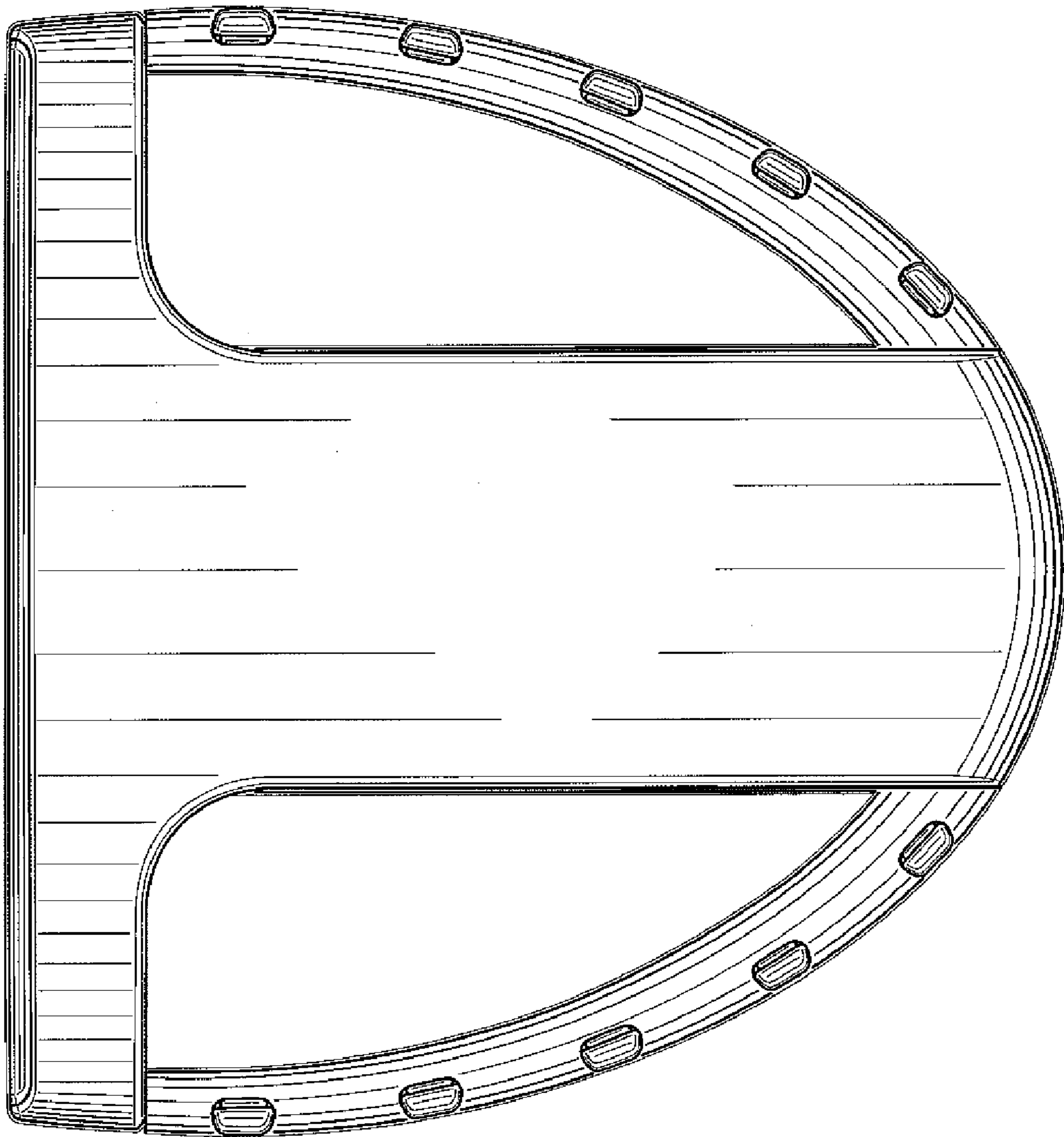


FIG. 6