



US00D569460S

(12) **United States Design Patent** (10) **Patent No.:** **US D569,460 S**
Walker et al. (45) **Date of Patent:** **** May 20, 2008**

(54) **PUTTER HEAD**

(75) Inventors: **Michael Walker**, Vista, CA (US);
Marni D. Ines, San Marcos, CA (US);
Robert Nunez, San Pedro, CA (US);
Craig Kevin Barez, Temecula, CA
(US); **Jose Mirafior**, Oceanside, CA
(US); **Sean Toulon**, Vista, CA (US);
Thomas Olsavsky, Oceanside, CA (US)

(73) Assignee: **Taylor Made Golf Company, Inc.**,
Carlsbad, CA (US)

(**) Term: **14 Years**

(21) Appl. No.: **29/279,080**

(22) Filed: **Apr. 19, 2007**

(51) **LOC (8) Cl.** **21-02**

(52) **U.S. Cl.** **D21/743**

(58) **Field of Classification Search** D21/736-746;
473/324-331, 340-341, 251-256
See application file for complete search history.

(56) **References Cited**

U.S. PATENT DOCUMENTS

D496,417 S *	9/2004	Tang	D21/738
D502,233 S	2/2005	Grace		
D502,234 S	2/2005	Grace		
D502,236 S	2/2005	Grace		
D507,317 S *	7/2005	Garner et al.	D21/743
D508,273 S *	8/2005	Garner et al.	D21/743
D510,394 S *	10/2005	Tang et al.	D21/742
D513,048 S *	12/2005	Garner et al.	D21/743
D518,130 S	3/2006	Grace		
D520,584 S	5/2006	Karlsen		
D527,433 S *	8/2006	Hueber	D21/743
D540,897 S	4/2007	Oldknow et al.		
D541,361 S	4/2007	Oldknow		

D541,362 S	4/2007	Oldknow		
D542,871 S *	5/2007	Oldknow	D21/759
D542,872 S *	5/2007	Oldknow	D21/759
D542,873 S *	5/2007	Oldknow	D21/759
D549,292 S *	8/2007	Meier et al.	D21/743

OTHER PUBLICATIONS

“Never Compromise Voodoo Daddy Putter,” <http://www.golfio.com/golf-equipment/never-compromise-vooodoo-daddy-putter/36933.htm>, 2pp. (printed Jul. 10, 2007).

* cited by examiner

Primary Examiner—Mitchell I Siegel
(74) *Attorney, Agent, or Firm*—Klarquist Sparkman, LLP

(57) **CLAIM**

We claim the ornamental design for a putter head, as shown and described.

DESCRIPTION

FIG. 1. is a perspective view of a putter head, as viewed from top front and one side thereof, according to one embodiment.

FIG. 2. is a front elevation view of the putter head of FIG. 1.

FIG. 3 is a side elevation view of the putter head of FIG. 1 from one side.

FIG. 4 is a side elevation view of the putter head of FIG. 1 from the opposite side.

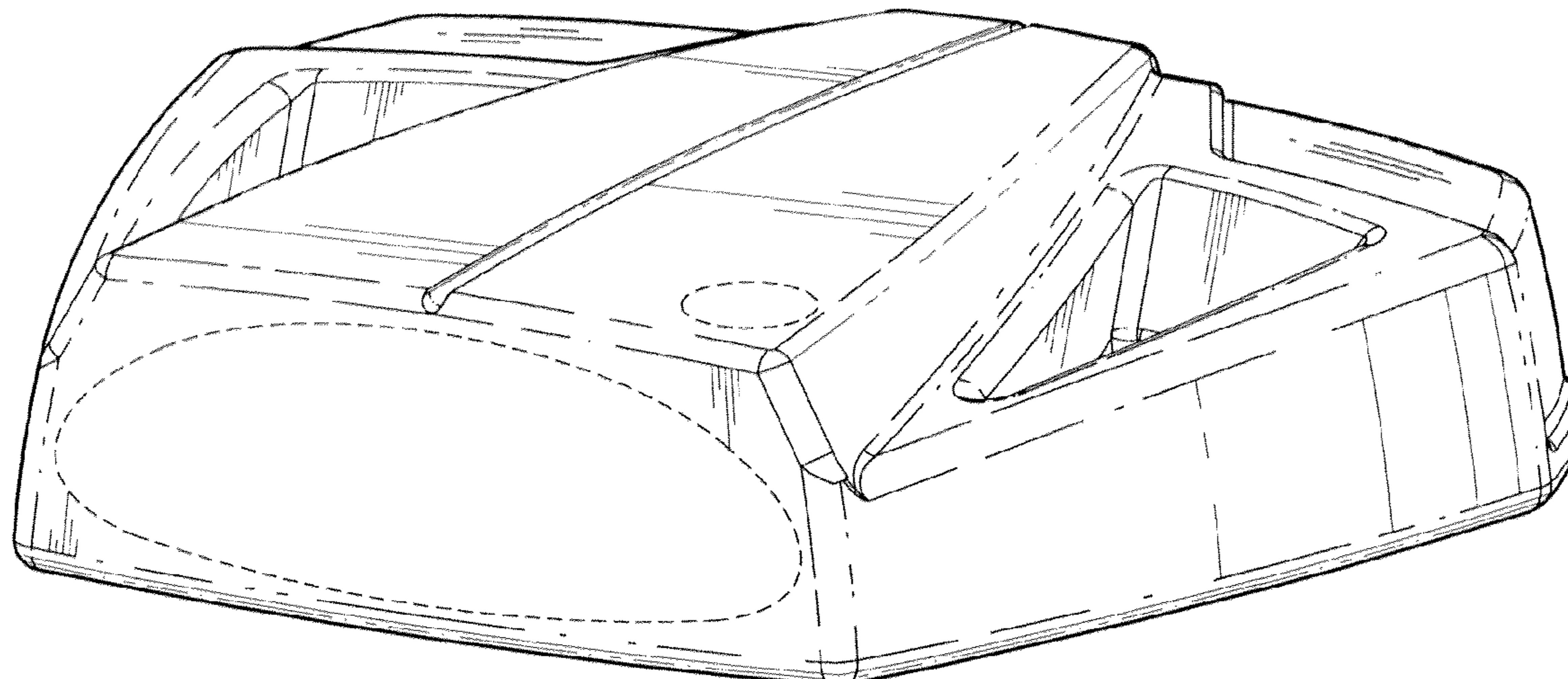
FIG. 5 is a rear elevation view of the putter head of FIG. 1.

FIG. 6 is a top plan view of the putter head of FIG. 1; and,

FIG. 7 is a bottom plan view of the putter head of FIG. 1.

The broken line showing is included for the purpose of illustrating and forms no part of the claimed design.

1 Claim, 7 Drawing Sheets



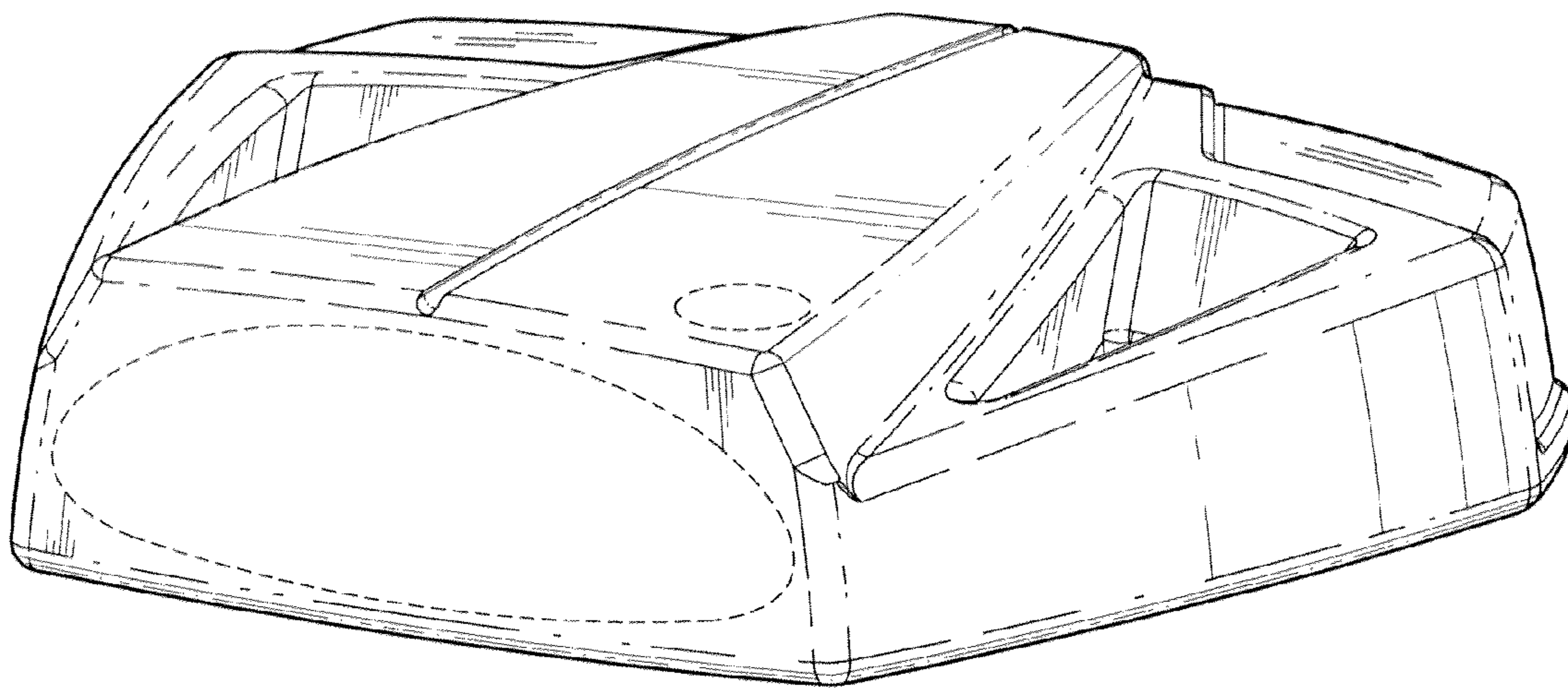


FIG. 1

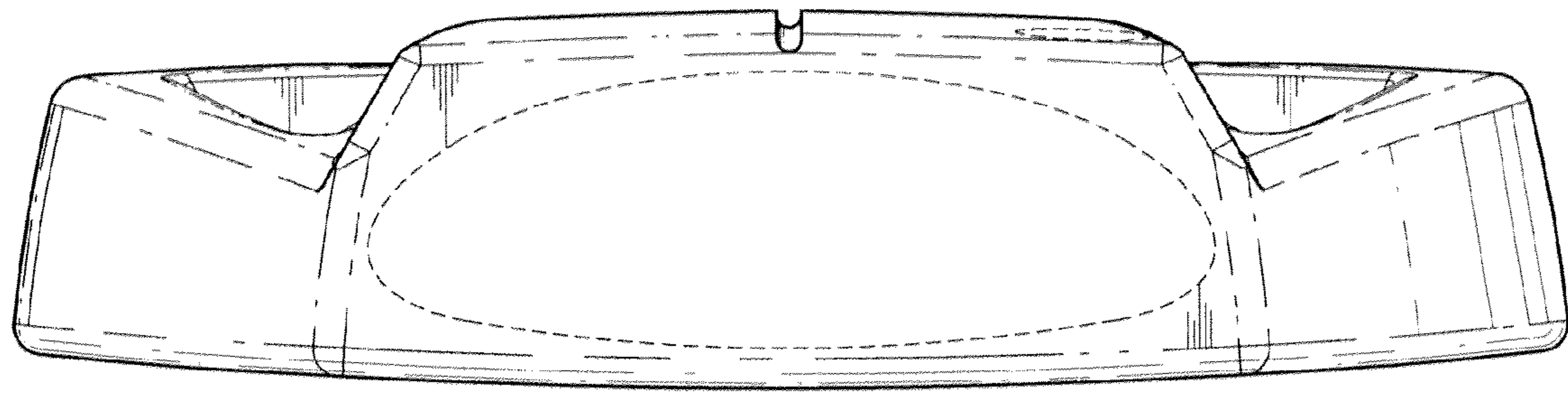


FIG. 2

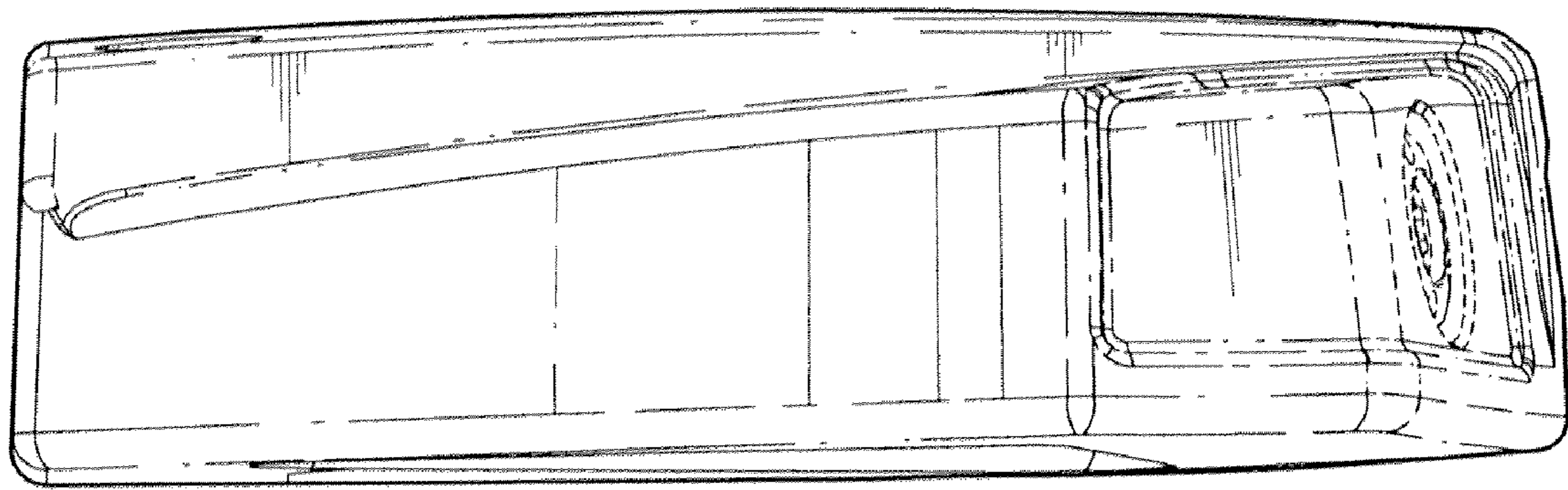


FIG. 3

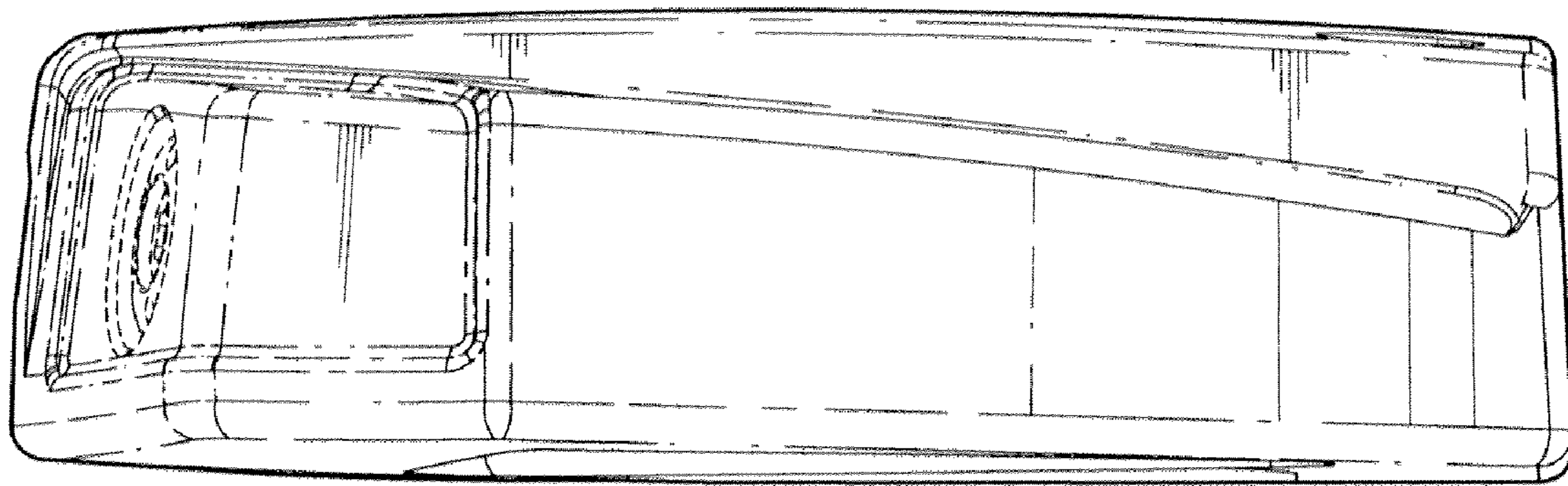


FIG. 4

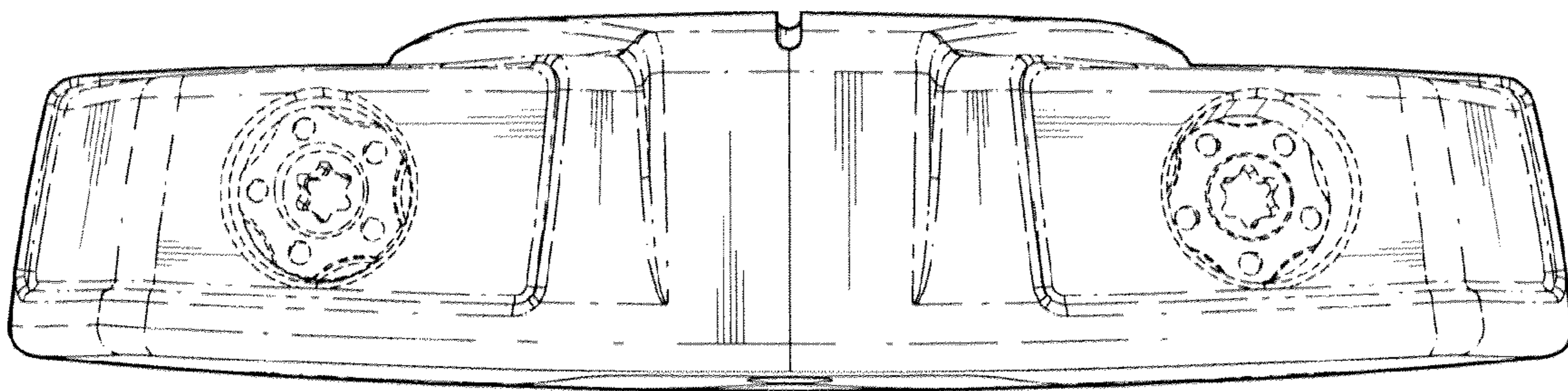


FIG. 5

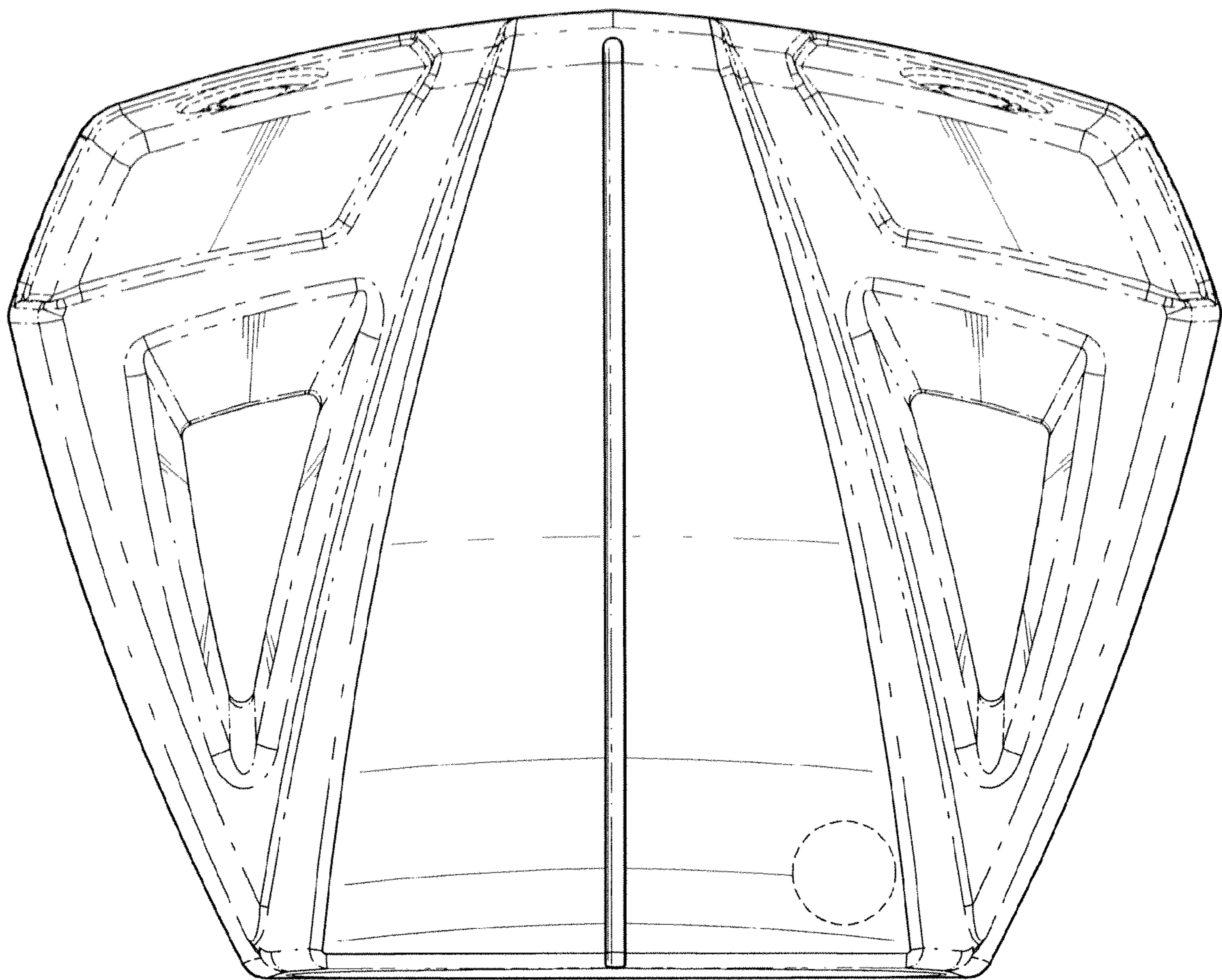


FIG. 6

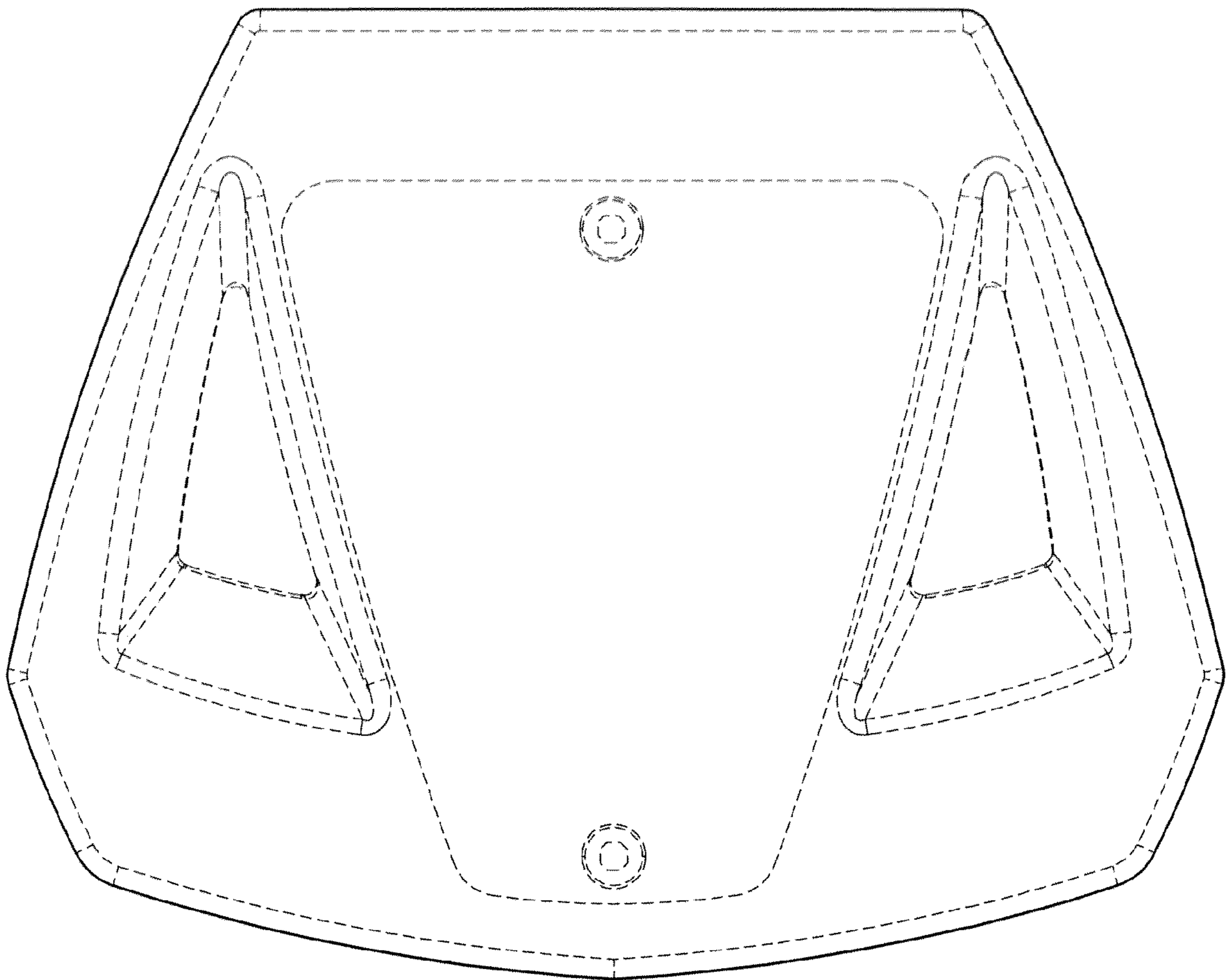


FIG. 7