

US00D569458S

(12) **United States Design Patent**  
**Nelson et al.**

(10) **Patent No.:** **US D569,458 S**

(45) **Date of Patent:** **\*\* May 20, 2008**

(54) **EXERCISE APPARATUS**

D475,424 S \* 6/2003 Lee ..... D21/697  
D558,841 S \* 1/2008 Clawson et al. .... D21/668

(75) Inventors: **Derek Nelson**, Lake Mills, WI (US);  
**Mrako Fenster**, Madison, WI (US);  
**Kevin Mast**, Cottage Grove, WI (US)

\* cited by examiner

*Primary Examiner*—Philip S. Hyder  
*Assistant Examiner*—Roselynn Ulm Cody

(73) Assignee: **Johnson Health Tech. Co., Ltd.**,  
Taichung Hsien (TW)

(57) **CLAIM**

(\*\*) Term: **14 Years**

The ornamental design for an exercise apparatus, as shown and described.

(21) Appl. No.: **29/265,523**

(22) Filed: **Sep. 5, 2006**

**DESCRIPTION**

(51) **LOC (8) Cl.** ..... **21-02**

FIG. 1 is a perspective view of the exercise apparatus;

(52) **U.S. Cl.** ..... **D21/697; D21/694**

FIG. 2 is a left side elevational view of the exercise apparatus;

(58) **Field of Classification Search** ..... D21/662–663,  
D21/665–671, 673, 694, 696–697; 482/51–52,  
482/54, 57, 66, 68, 70, 72, 79, 80

FIG. 3 is a right side elevational view of the exercise apparatus;

See application file for complete search history.

FIG. 4 is a front elevational view of the exercise apparatus;

FIG. 5 is a rear elevational view of the exercise apparatus;

FIG. 6 is a top plan view of the exercise apparatus; and,

FIG. 7 is a bottom plan view of the exercise apparatus.

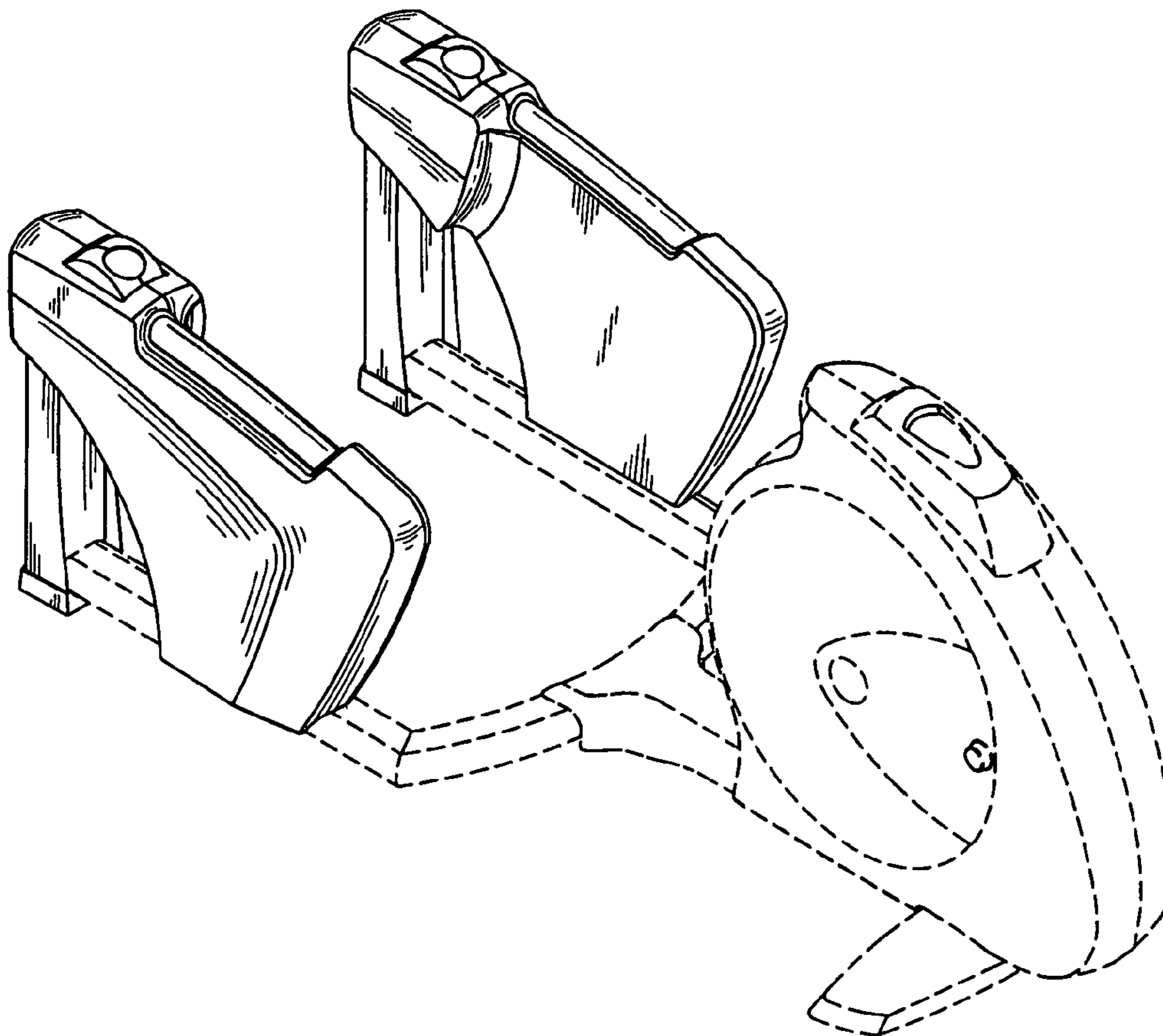
The phantom line showing environment is for illustrative purpose only and forms no part of the claimed design.

(56) **References Cited**

**U.S. PATENT DOCUMENTS**

6,063,008 A \* 5/2000 McBride et al. .... 482/52  
D438,581 S \* 3/2001 Shaw ..... D21/697  
D450,100 S \* 11/2001 Hsu ..... D21/697  
D459,776 S \* 7/2002 Lee ..... D21/697

**1 Claim, 6 Drawing Sheets**



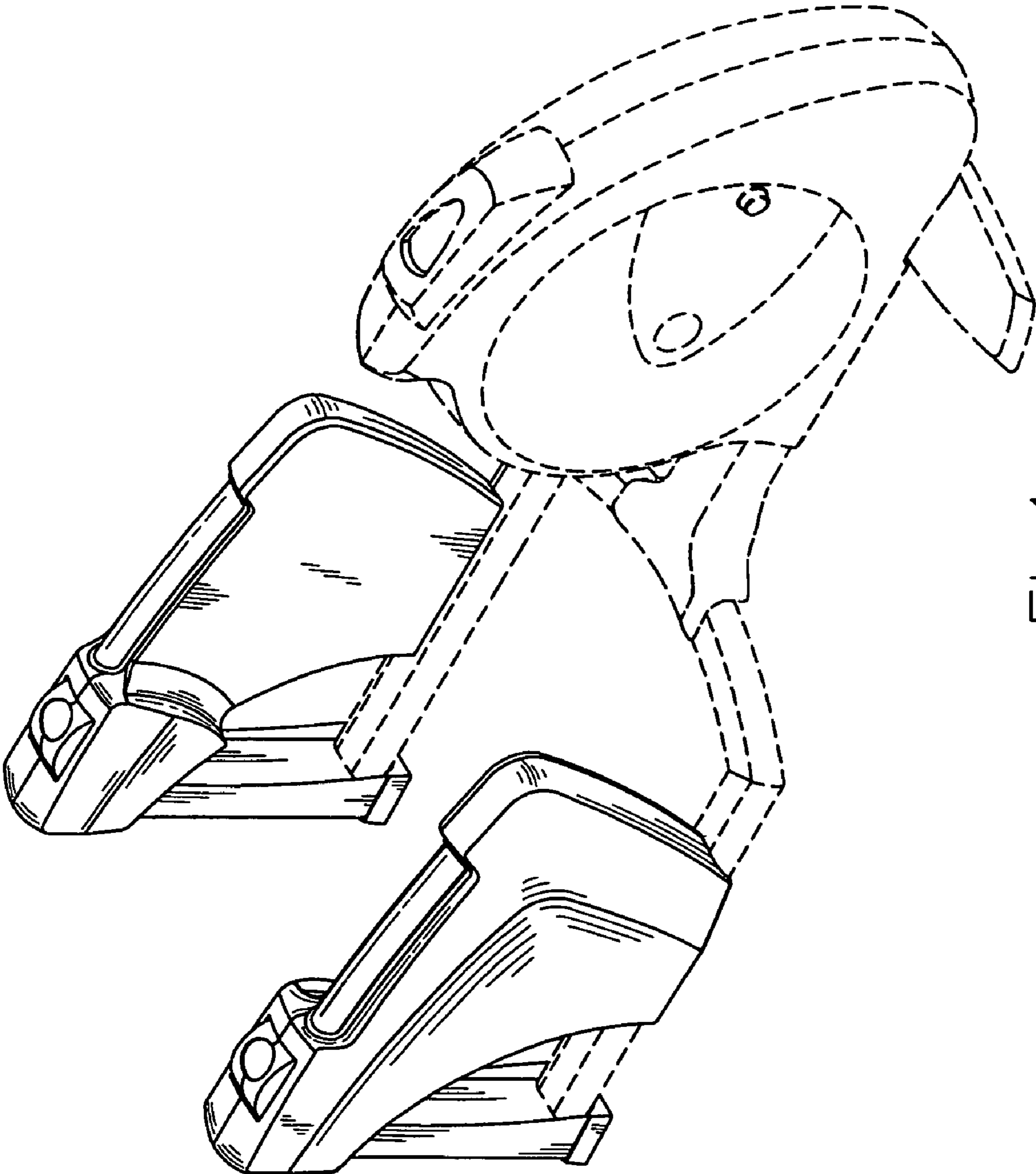


FIG. 1

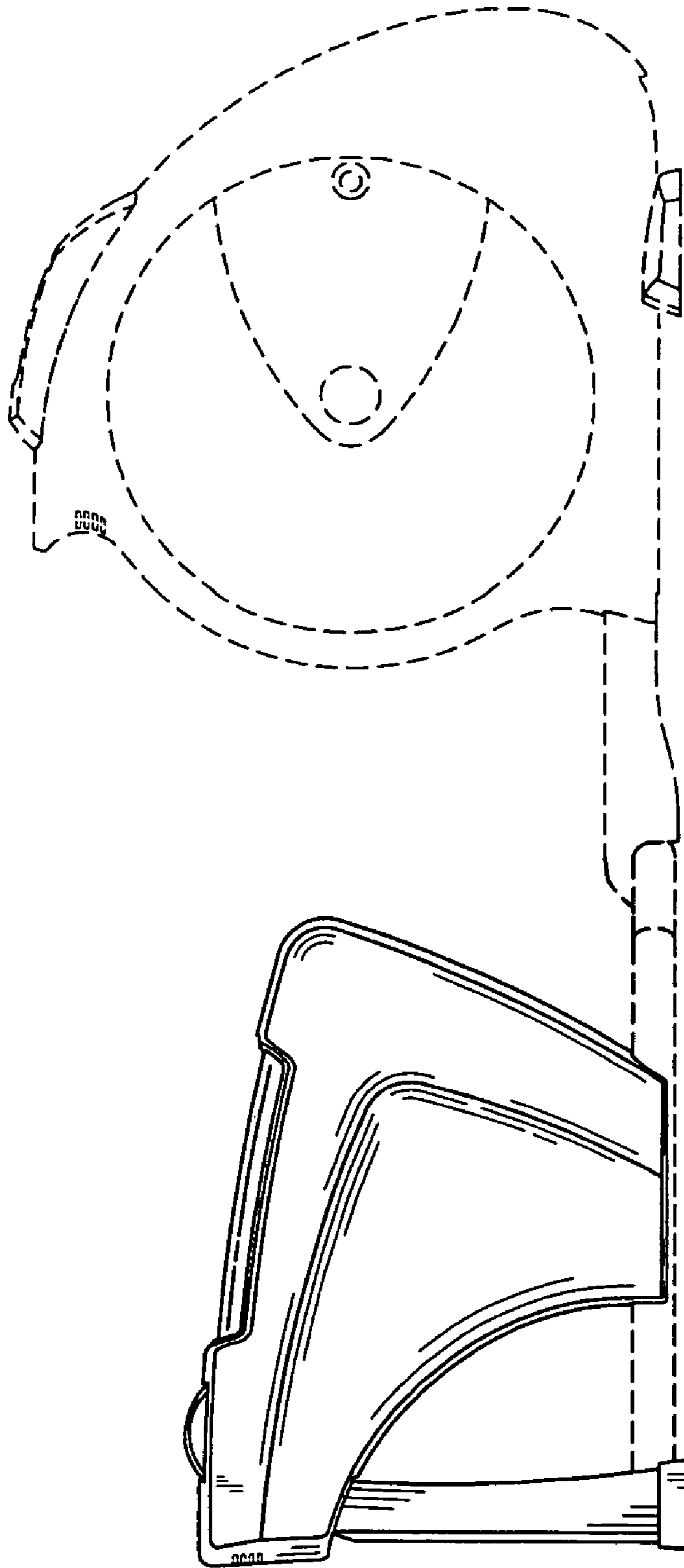


FIG. 2

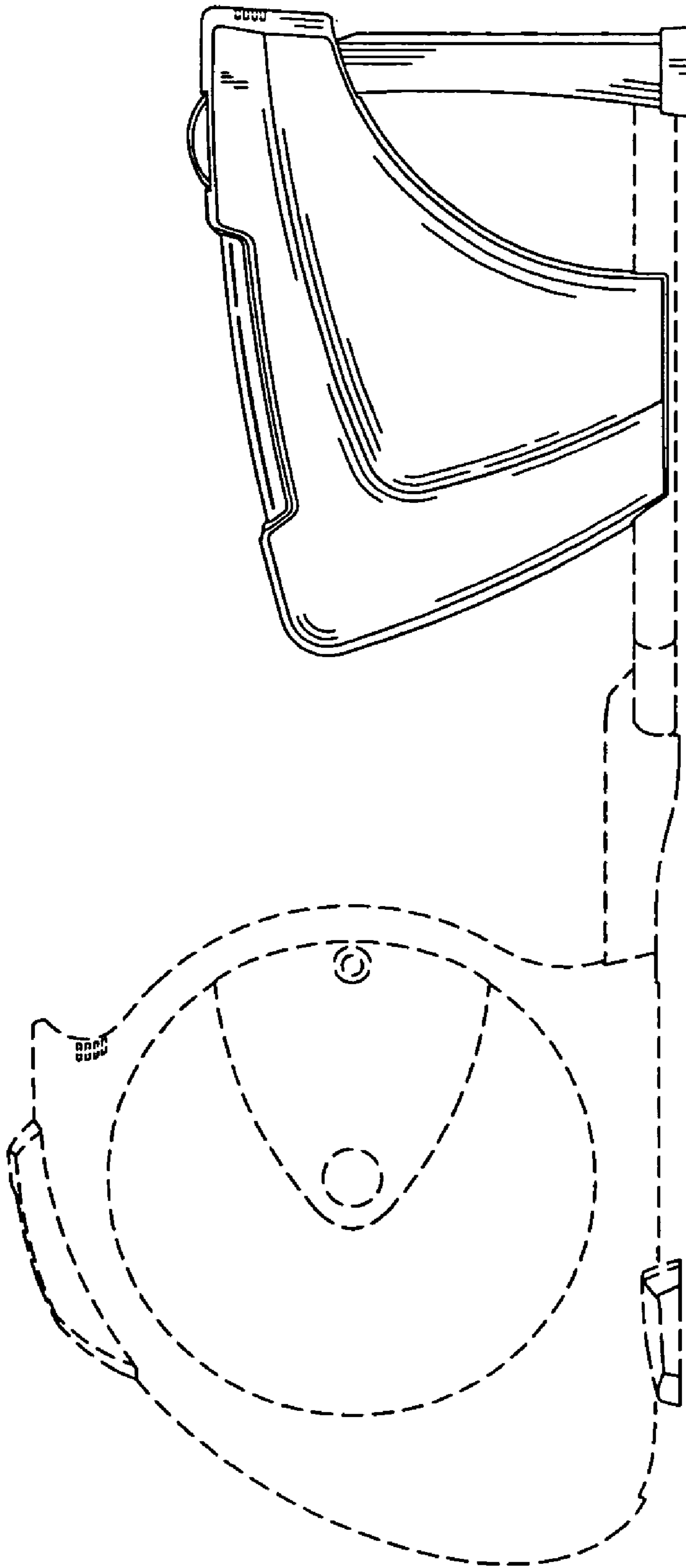


FIG. 3

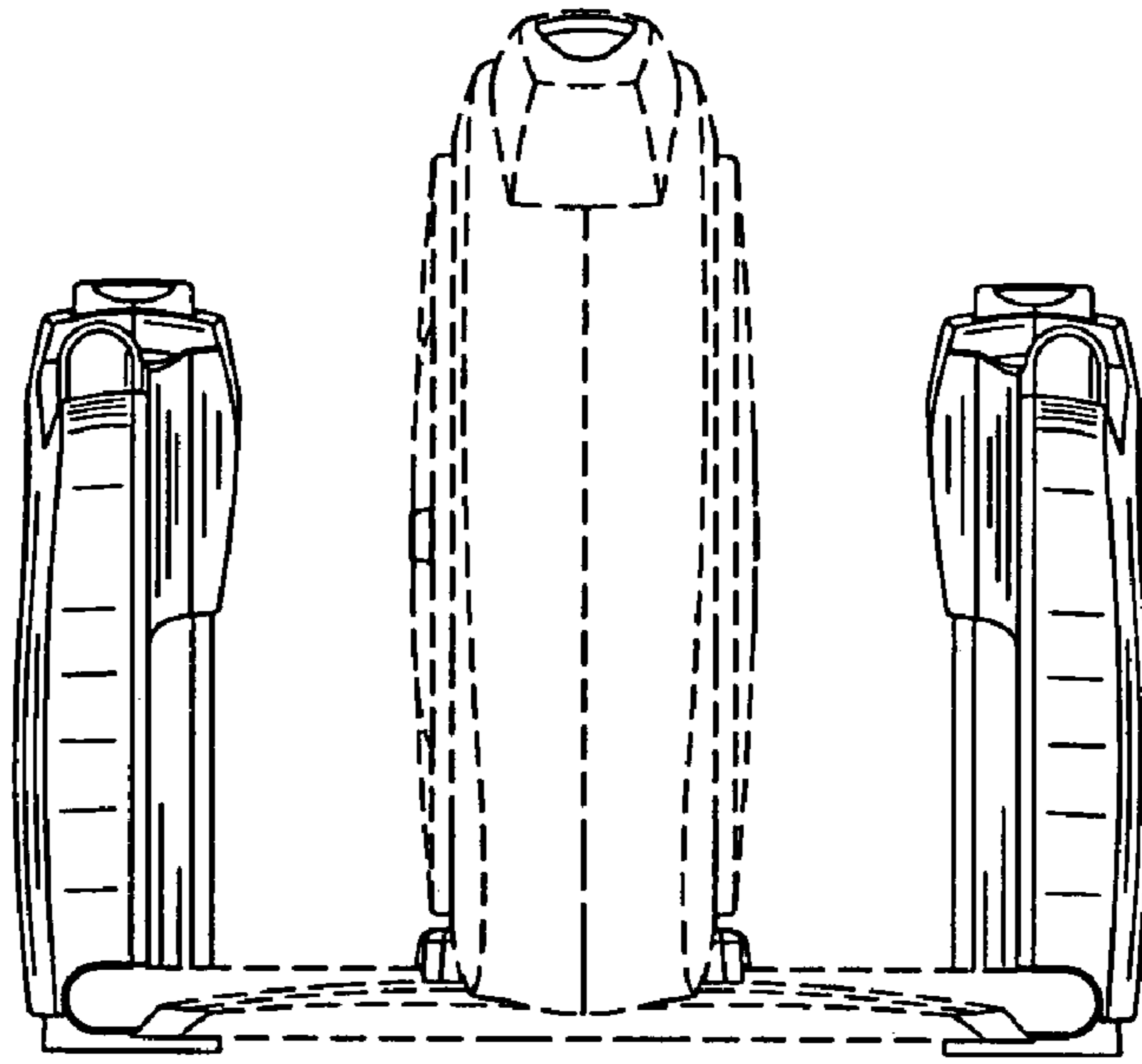


Fig.4

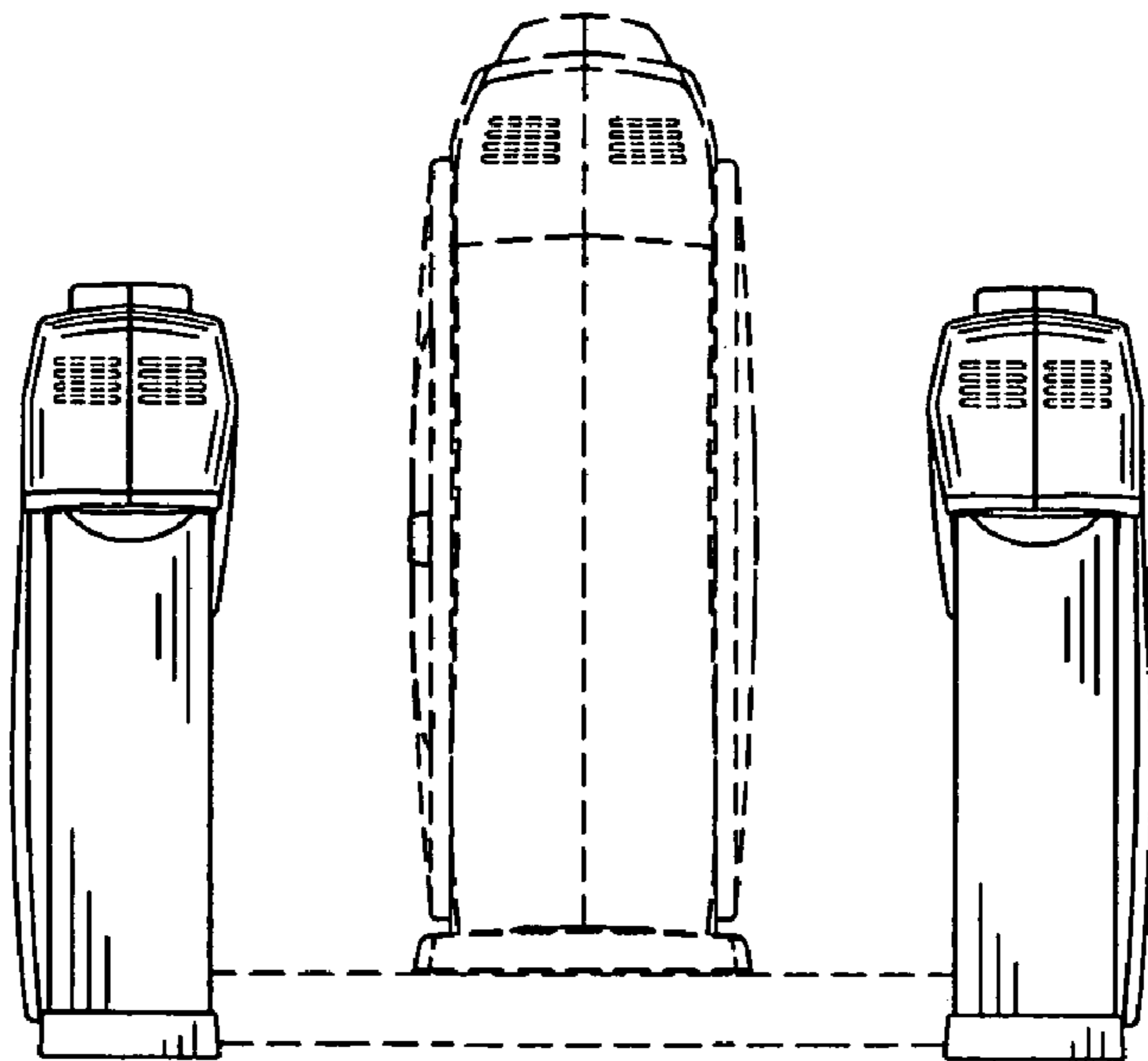


Fig.5

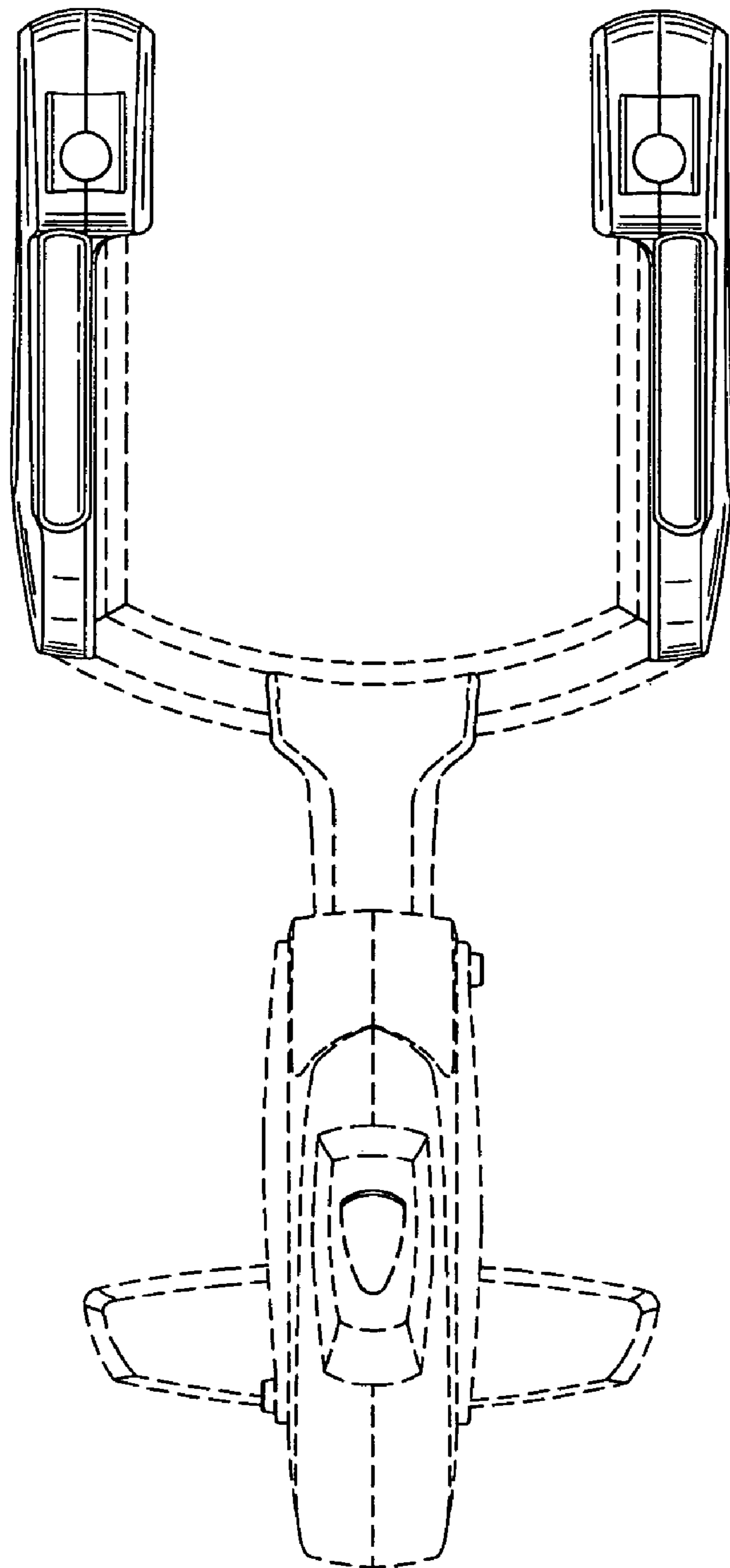


Fig.6

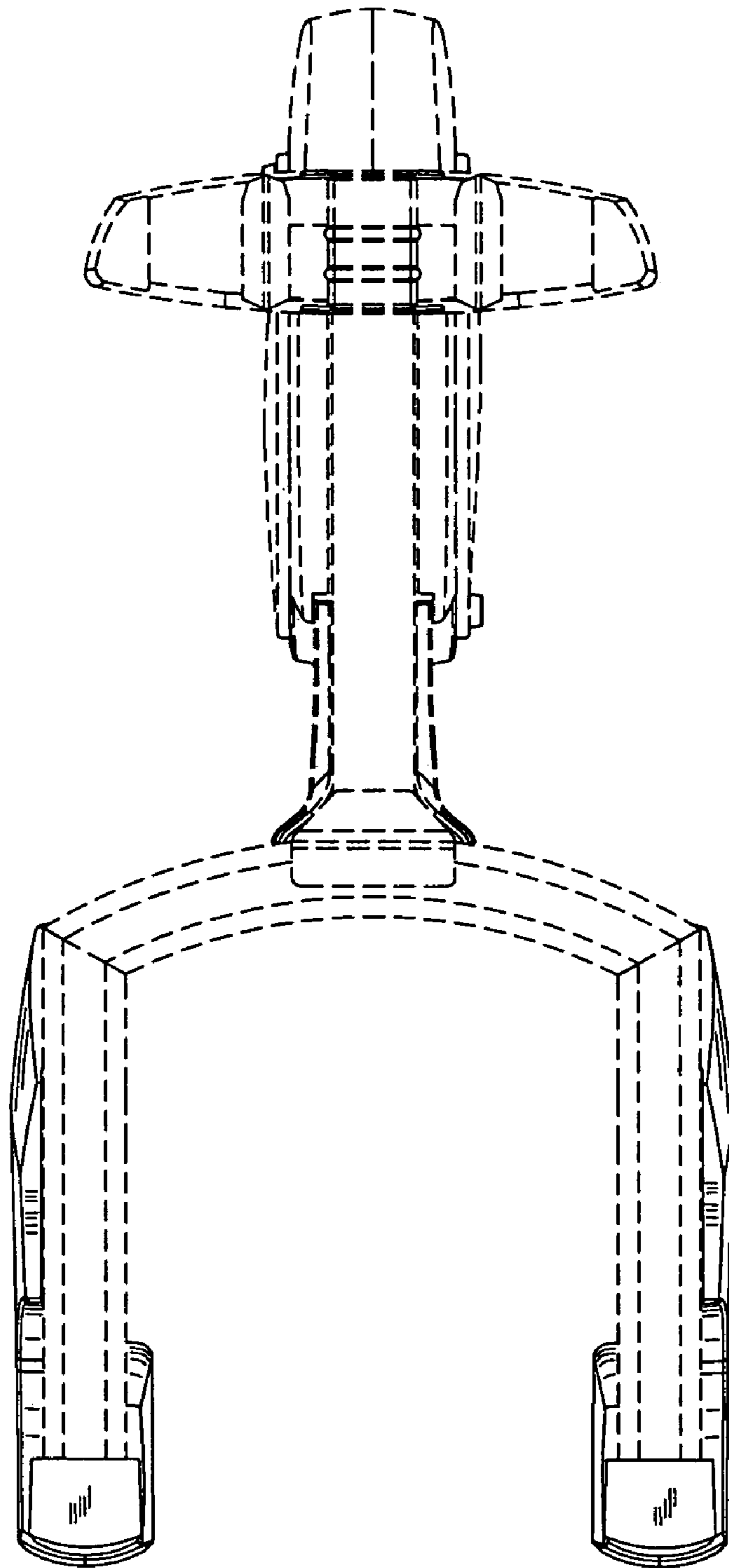


Fig. 7