

US00D569457S

(12) **United States Design Patent**  
**Hanoun**

(10) **Patent No.:** **US D569,457 S**

(45) **Date of Patent:** **\*\* May 20, 2008**

(54) **DISPLAY UNIT FOR EXERCISE MACHINE**

D494,823 S \* 8/2004 Overthun et al. .... D8/20  
D536,046 S \* 1/2007 Bingham et al. .... D21/696  
7,163,488 B2 \* 1/2007 Anders et al. .... 482/4

(75) Inventor: **Reed I. Hanoun**, Mississauga (CA)

(73) Assignee: **Mytrak Health System Inc.**,  
Mississauga, Ontario (CA)

(\*\*) Term: **14 Years**

(21) Appl. No.: **29/247,317**

(22) Filed: **Jun. 9, 2006**

(51) **LOC (8) Cl.** ..... **21-02**

(52) **U.S. Cl.** ..... **D21/696; D14/217**

(58) **Field of Classification Search** ..... D21/662,  
D21/663, 668, 669, 670, 673, 694, 696; D3/321;  
D9/424; D10/24, 104; D13/110; D14/217,  
D14/125; D28/83; 482/1, 9, 5, 6  
See application file for complete search history.

(56) **References Cited**

**U.S. PATENT DOCUMENTS**

D42,949 S \* 8/1912 Perkins ..... D9/423  
D278,207 S \* 4/1985 McLaughlin ..... D3/203.2  
D321,415 S \* 11/1991 Chen ..... D28/80  
D326,226 S \* 5/1992 Gerhart ..... D9/423  
D427,156 S \* 6/2000 Arnold et al. .... D13/162  
D438,579 S \* 3/2001 Arnold et al. .... D21/696  
6,261,205 B1 \* 7/2001 Elefson ..... 482/6  
D448,353 S \* 9/2001 Chang ..... D14/125  
D454,931 S \* 3/2002 Fon ..... D21/696  
D479,823 S \* 9/2003 Andre et al. .... D13/110

\* cited by examiner

*Primary Examiner*—Philip Hyder

(74) *Attorney, Agent, or Firm*—Integral Intellectual Property Inc.; Miriam Paton

(57) **CLAIM**

We claim the ornamental design for a display unit for exercise machine, as shown and described.

**DESCRIPTION**

FIG. 1 is a perspective view of a display unit for an exercise machine.

FIG. 2 is a bottom view thereof.

FIG. 3 is a front view thereof.

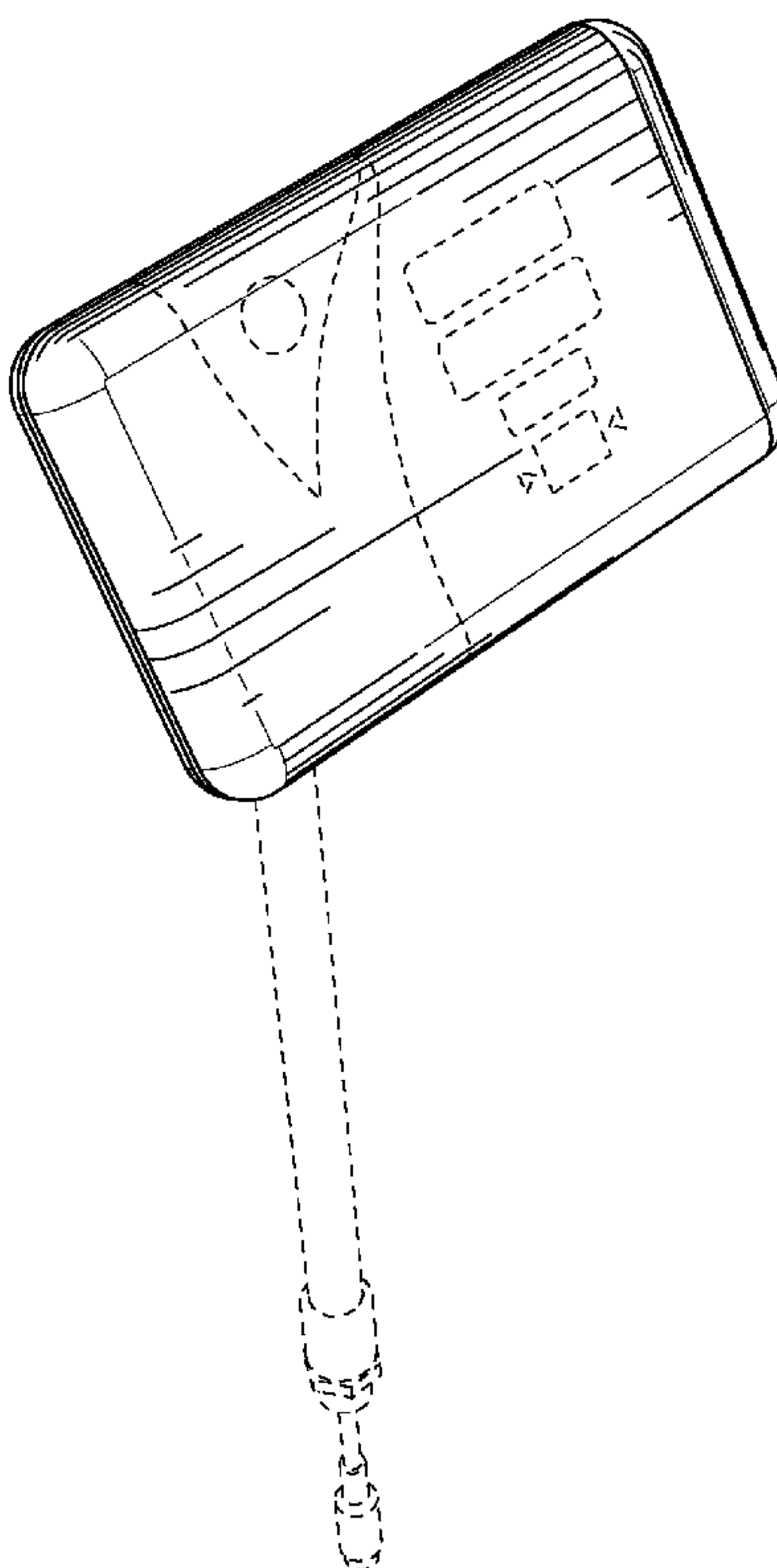
FIG. 4 is a rear view thereof.

FIG. 5 is a first side view thereof with a second side view being the same; and,

FIG. 6 is a perspective view thereof showing the environment.

Broken lines in FIGS. 1–5 are for illustrative purposes only and do not form part of the claimed design. Additional broken lines in FIG. 6 show an environmental structure that does not form part of the design.

**1 Claim, 3 Drawing Sheets**



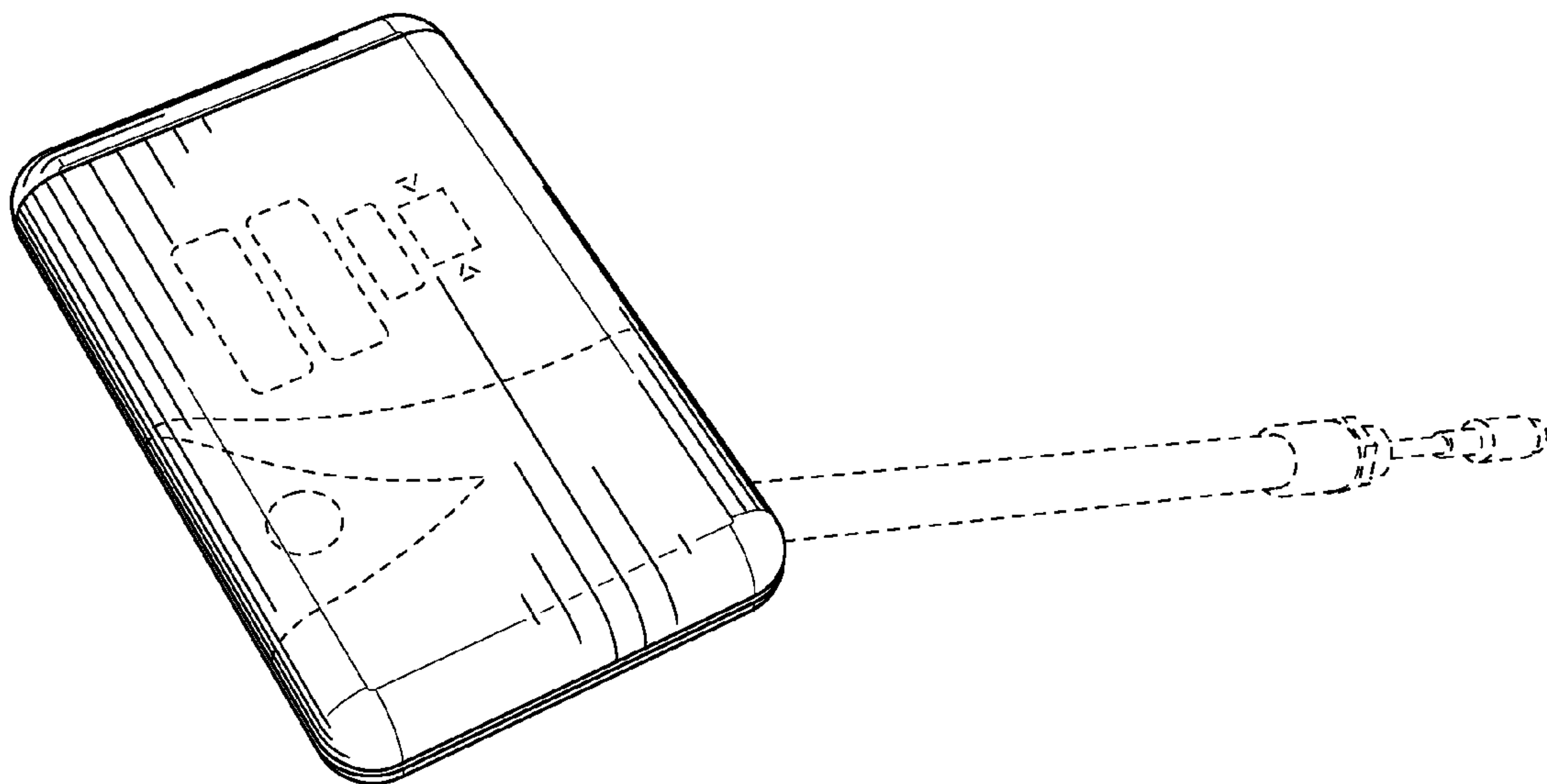


FIG. 1

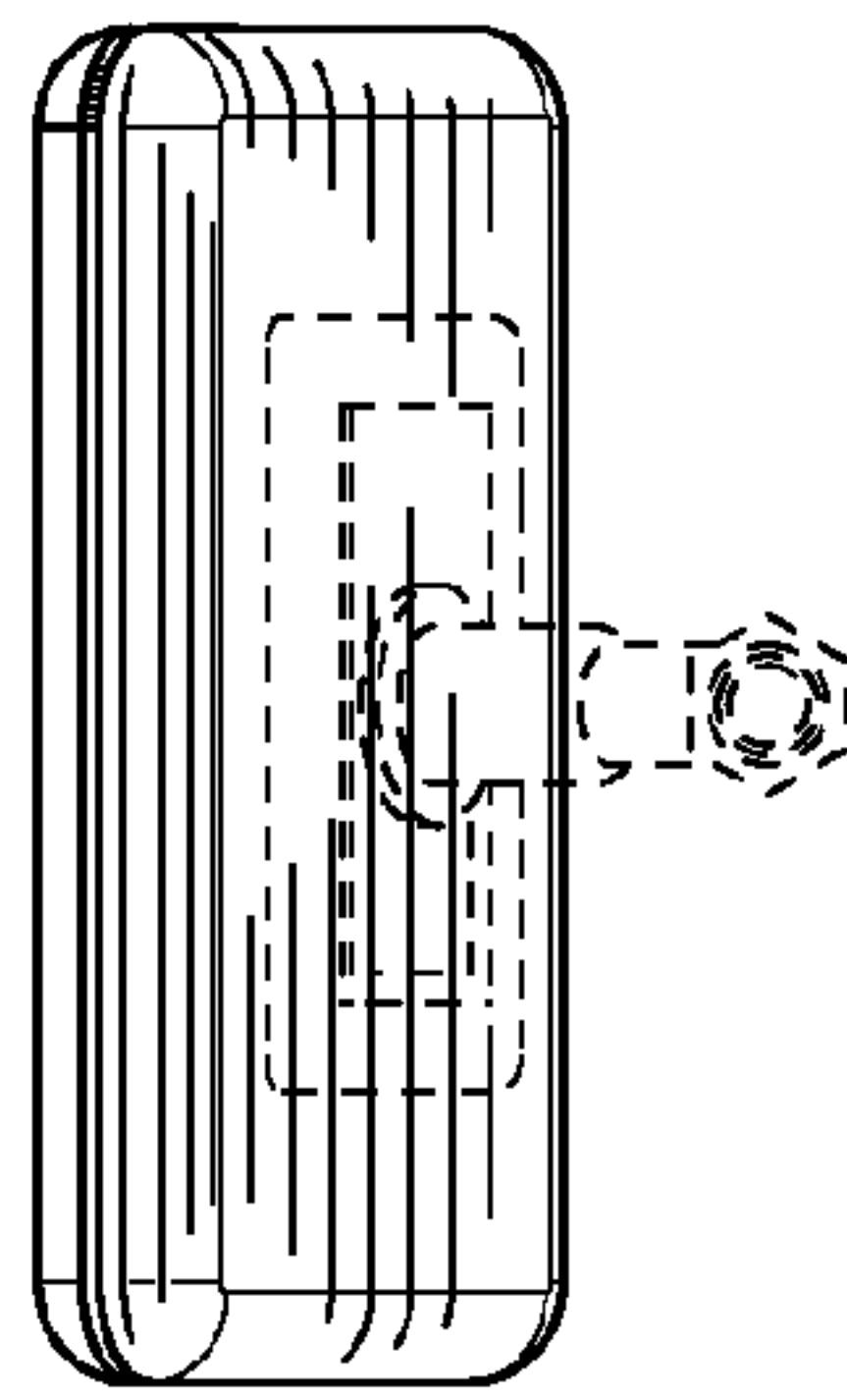


FIG. 2

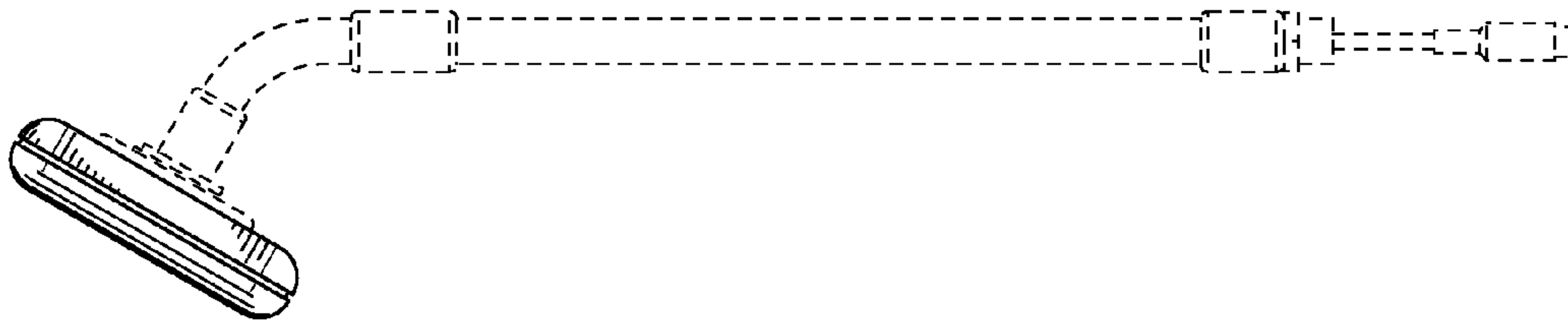


FIG. 5

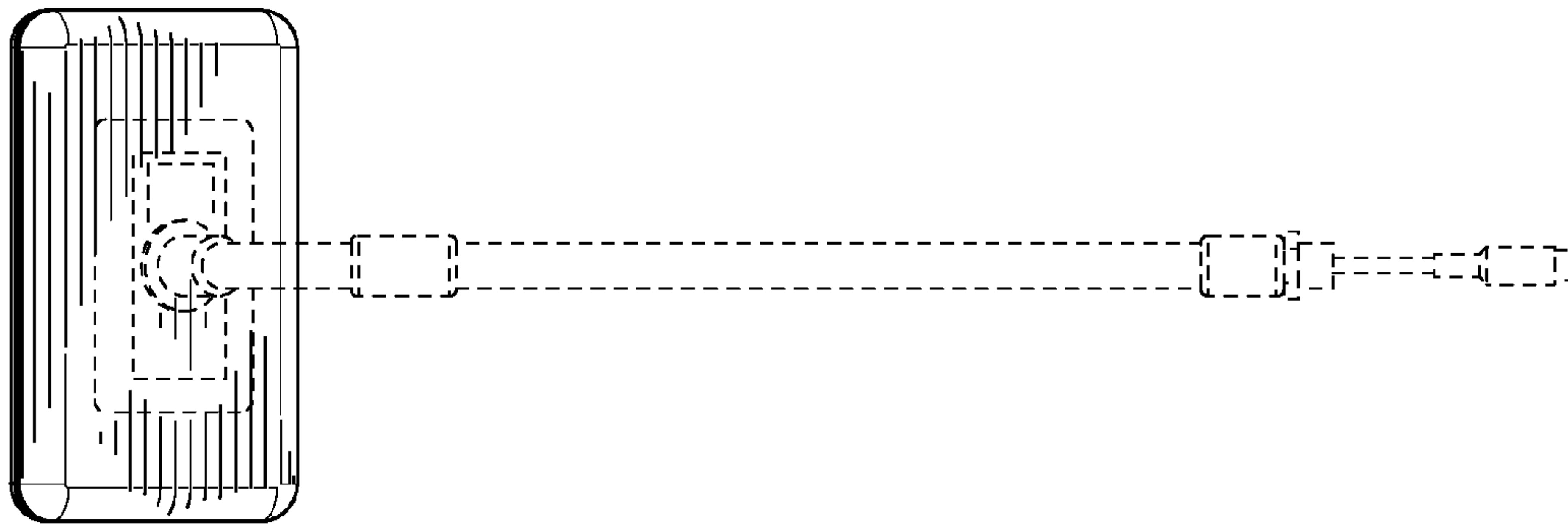


FIG. 4

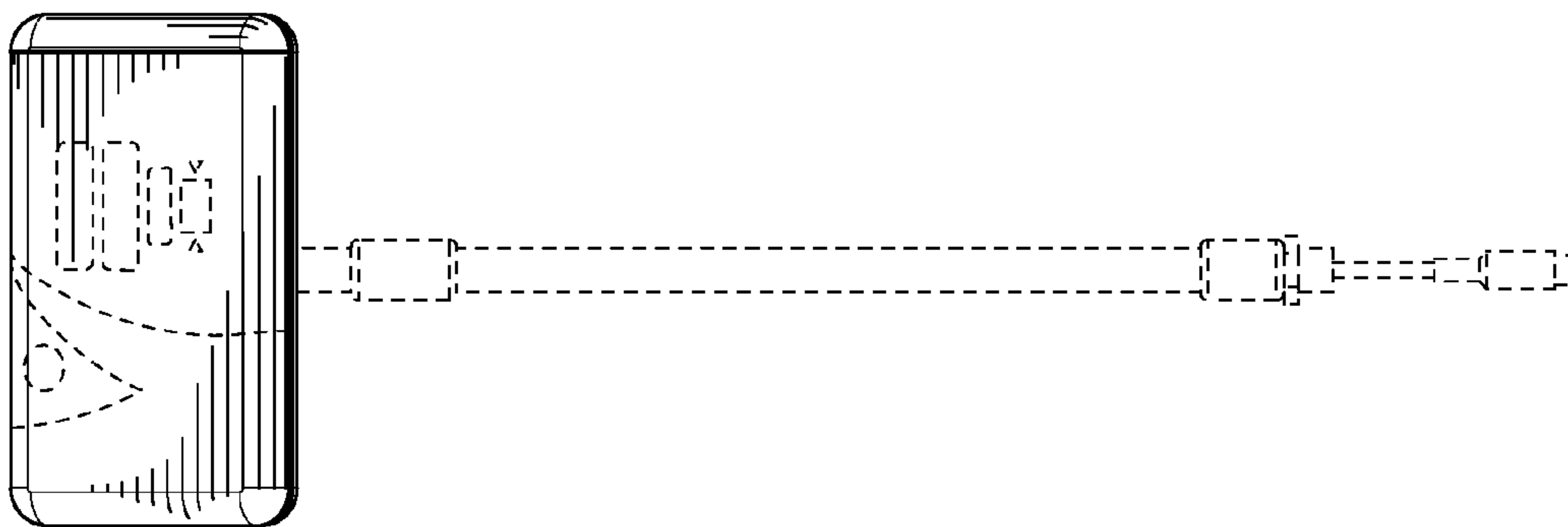


FIG. 3

FIG. 6

