

US00D569456S

(12) **United States Design Patent**
Nardone

(10) **Patent No.:** **US D569,456 S**

(45) **Date of Patent:** **** May 20, 2008**

(54) **EXERCISING DEVICE**

(76) **Inventor:** **Moamar Nardone**, c/o Rosella L. Fernandez, Casa Milan Neopolitan V, Commonwealth Avenue, North Fairview, Quezon City (PH) 1121

(**) **Term:** **14 Years**

(21) **Appl. No.:** **29/264,479**

(22) **Filed:** **Aug. 11, 2006**

(51) **LOC (8) Cl.** **21-02**

(52) **U.S. Cl.** **D21/670**

(58) **Field of Classification Search** D21/662, D21/663, 666, 667, 668, 669, 670, 673; 482/52, 482/54, 57, 70, 72, 79, 135
See application file for complete search history.

(56) **References Cited**

U.S. PATENT DOCUMENTS

D339,837 S *	9/1993	Hall et al.	D21/670
5,645,512 A *	7/1997	Yu	482/53
D403,382 S *	12/1998	Piaget	D21/670
D407,769 S *	4/1999	Sands et al.	D21/670
5,938,569 A *	8/1999	Lin	482/52
6,132,339 A *	10/2000	Wang et al.	482/53
6,179,752 B1 *	1/2001	Chang	482/52

D465,001 S *	10/2002	Chiang-Chow	D21/670
D484,930 S *	1/2004	Yang	D21/670
D498,506 S *	11/2004	Yu	D21/670
D517,133 S *	3/2006	Yang	D21/670
D521,576 S *	5/2006	Hsiung	D21/668
D535,710 S *	1/2007	Hsiung	D21/668

* cited by examiner

Primary Examiner—Philip S. Hyder

(57) **CLAIM**

The ornamental design for an exercising device, substantially as shown.

DESCRIPTION

FIG. 1 is a perspective view of the present design for an exercising device;

FIG. 2 is a front view thereof,

FIG. 3 is a right side view thereof,

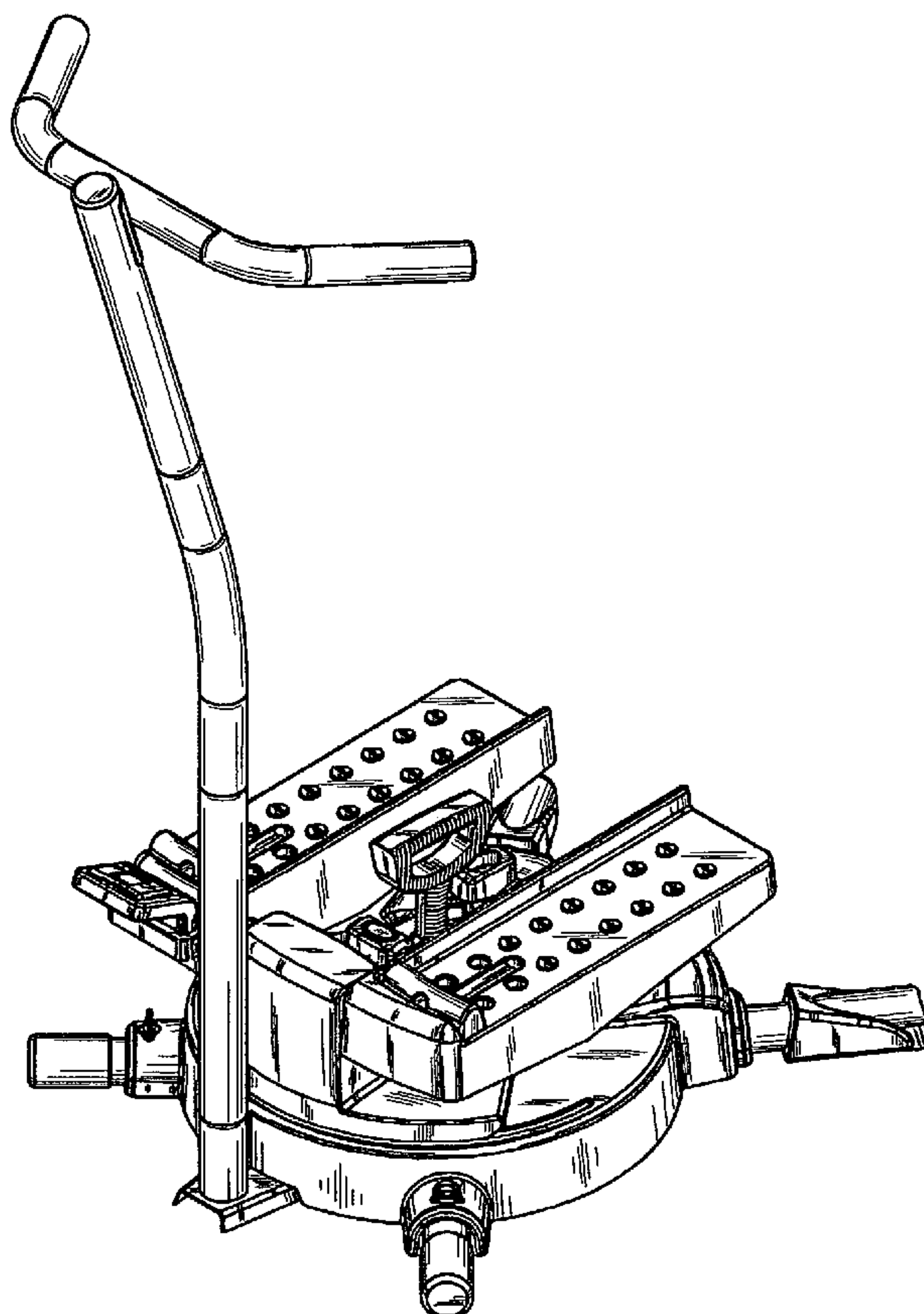
FIG. 4 is a left side view thereof,

FIG. 5 is a top view thereof,

FIG. 6 is a bottom view thereof; and,

FIG. 7 is a back view thereof.

1 Claim, 7 Drawing Sheets



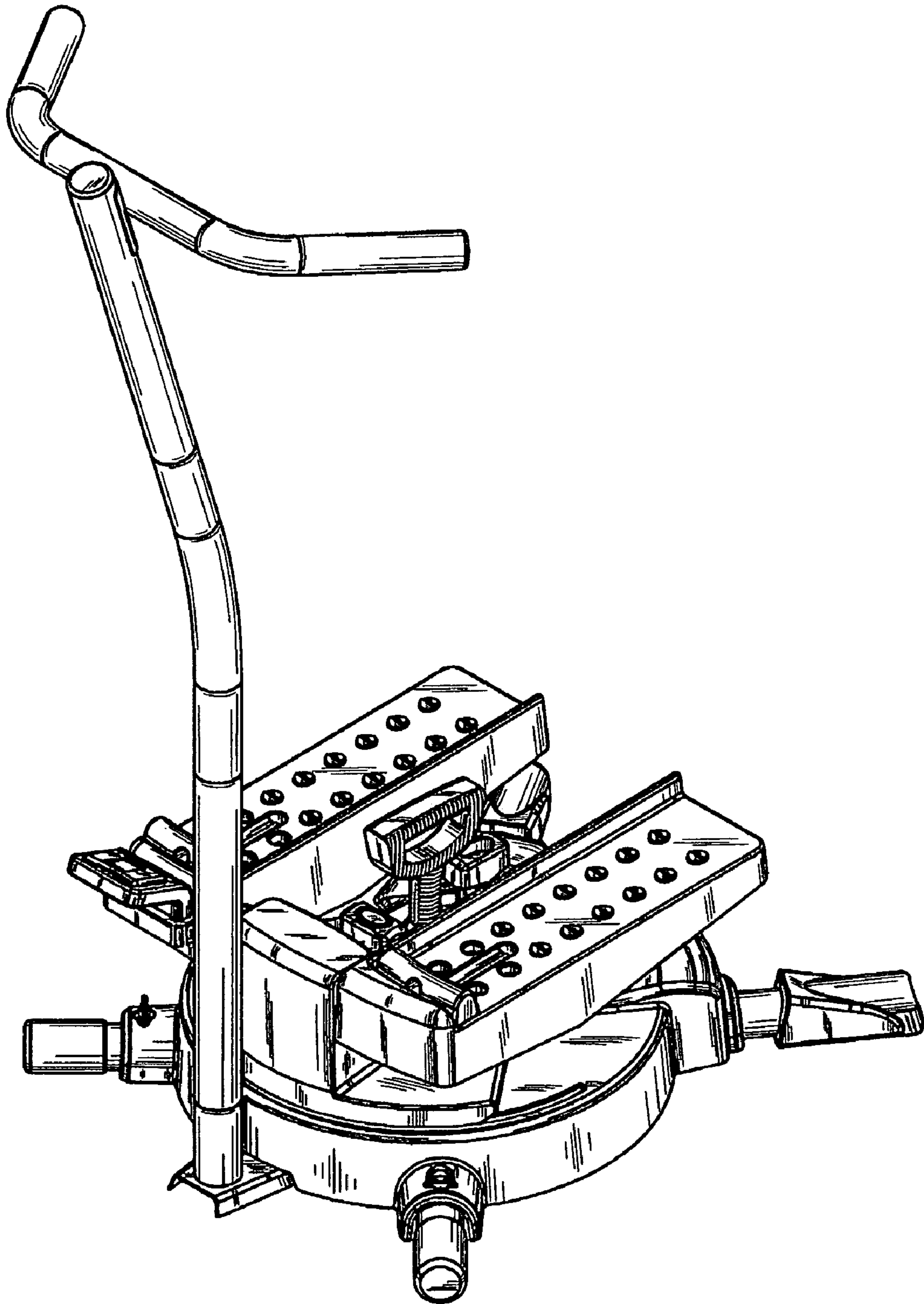


FIG. 1

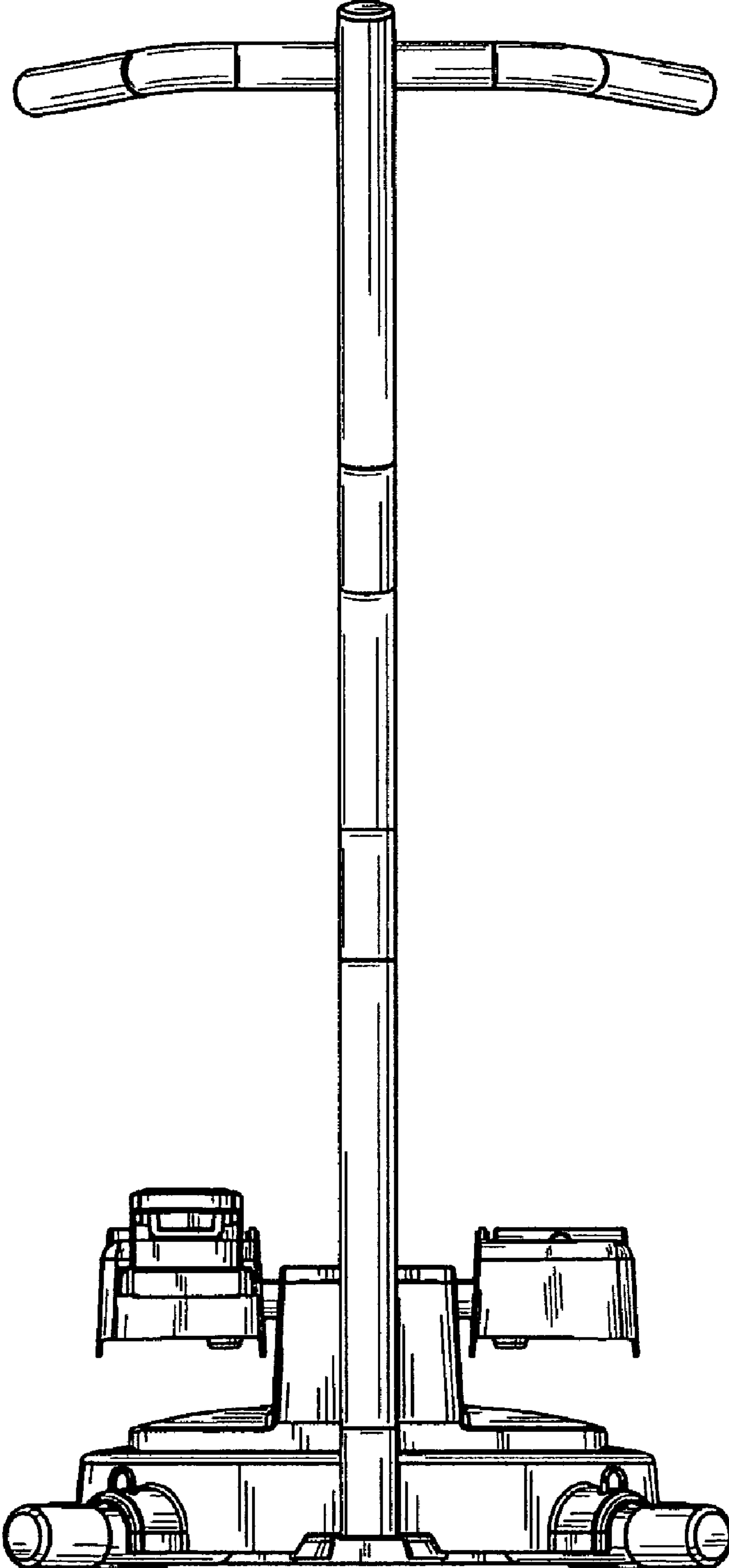


FIG. 2

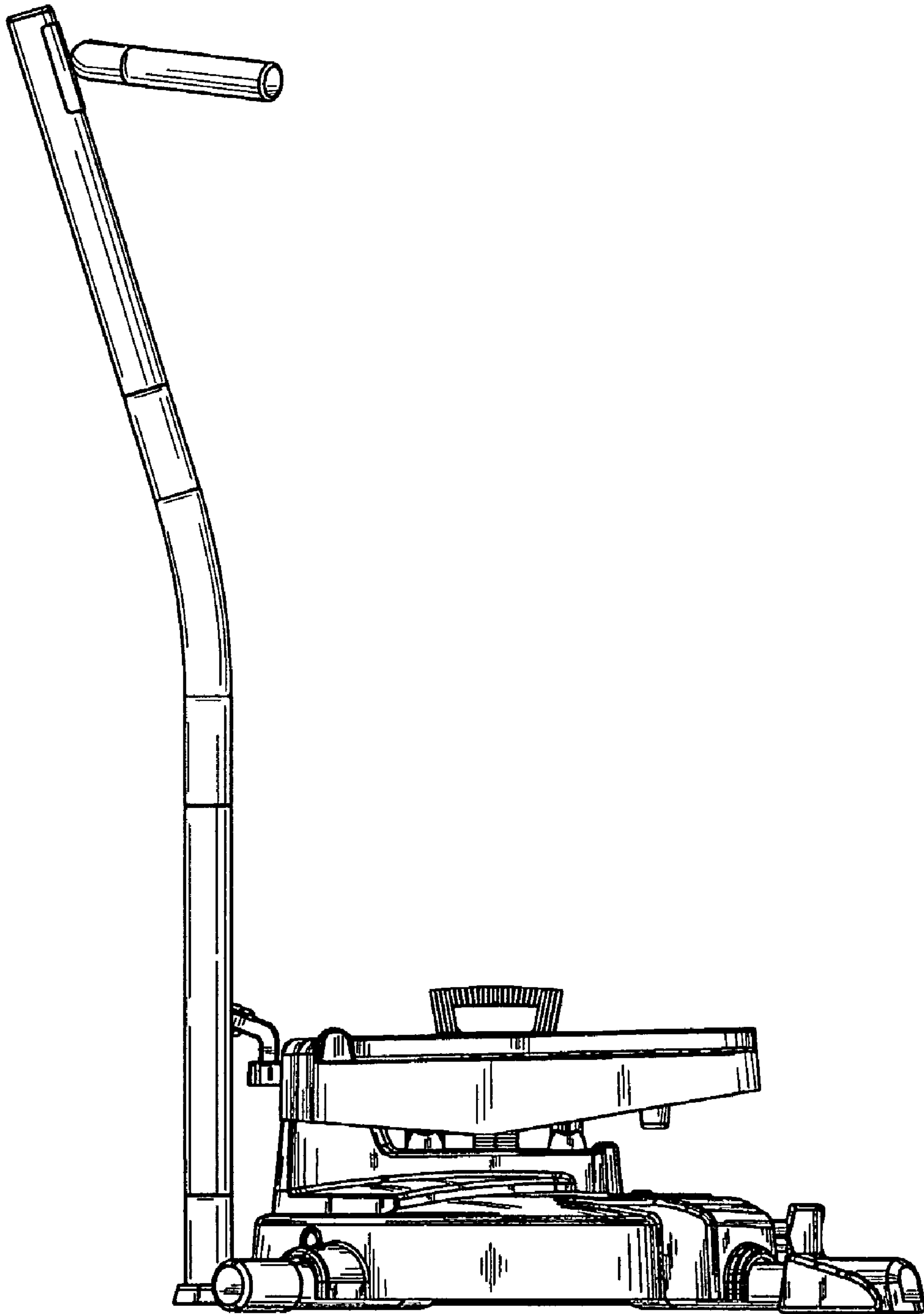


FIG. 3

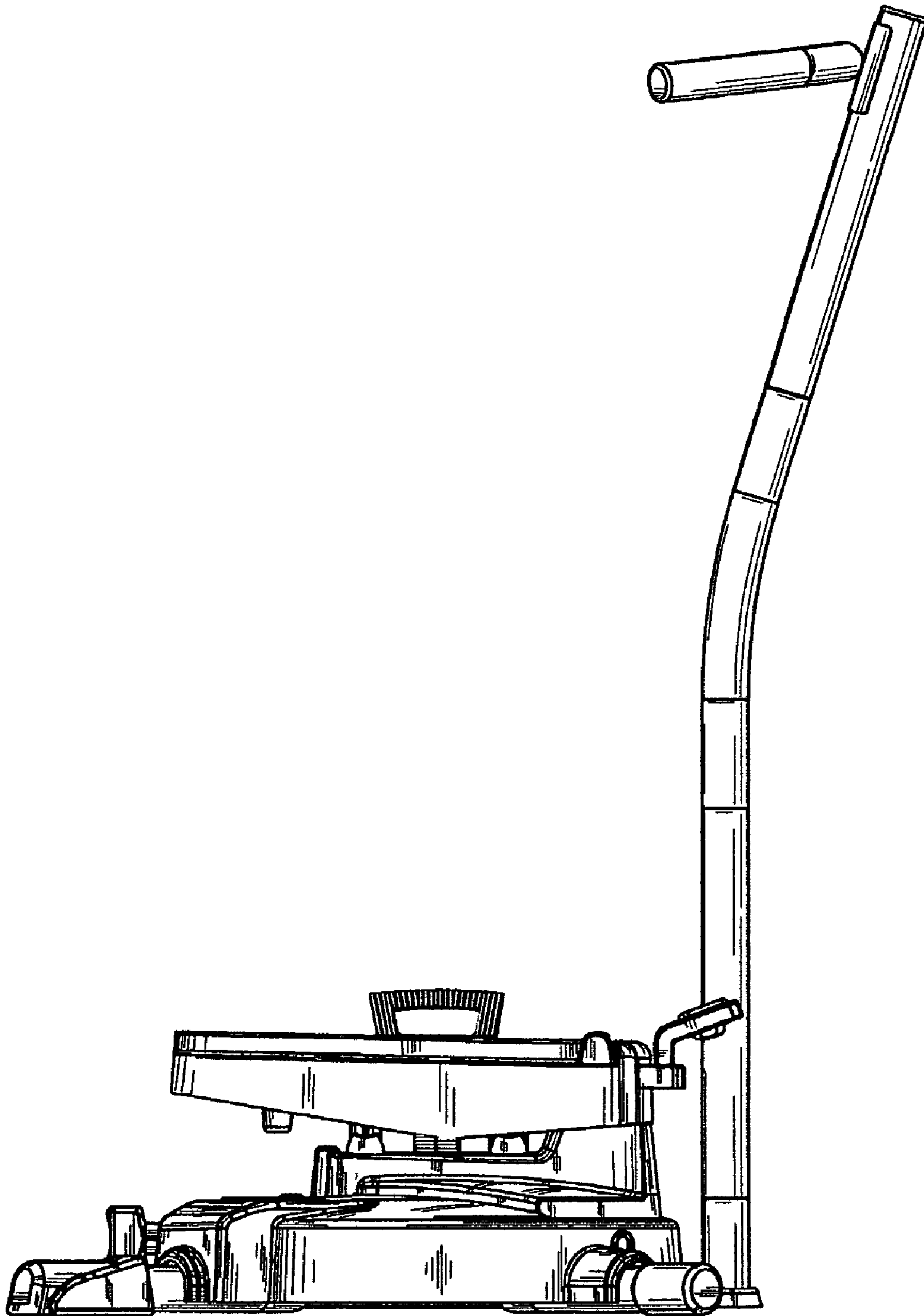


FIG. 4

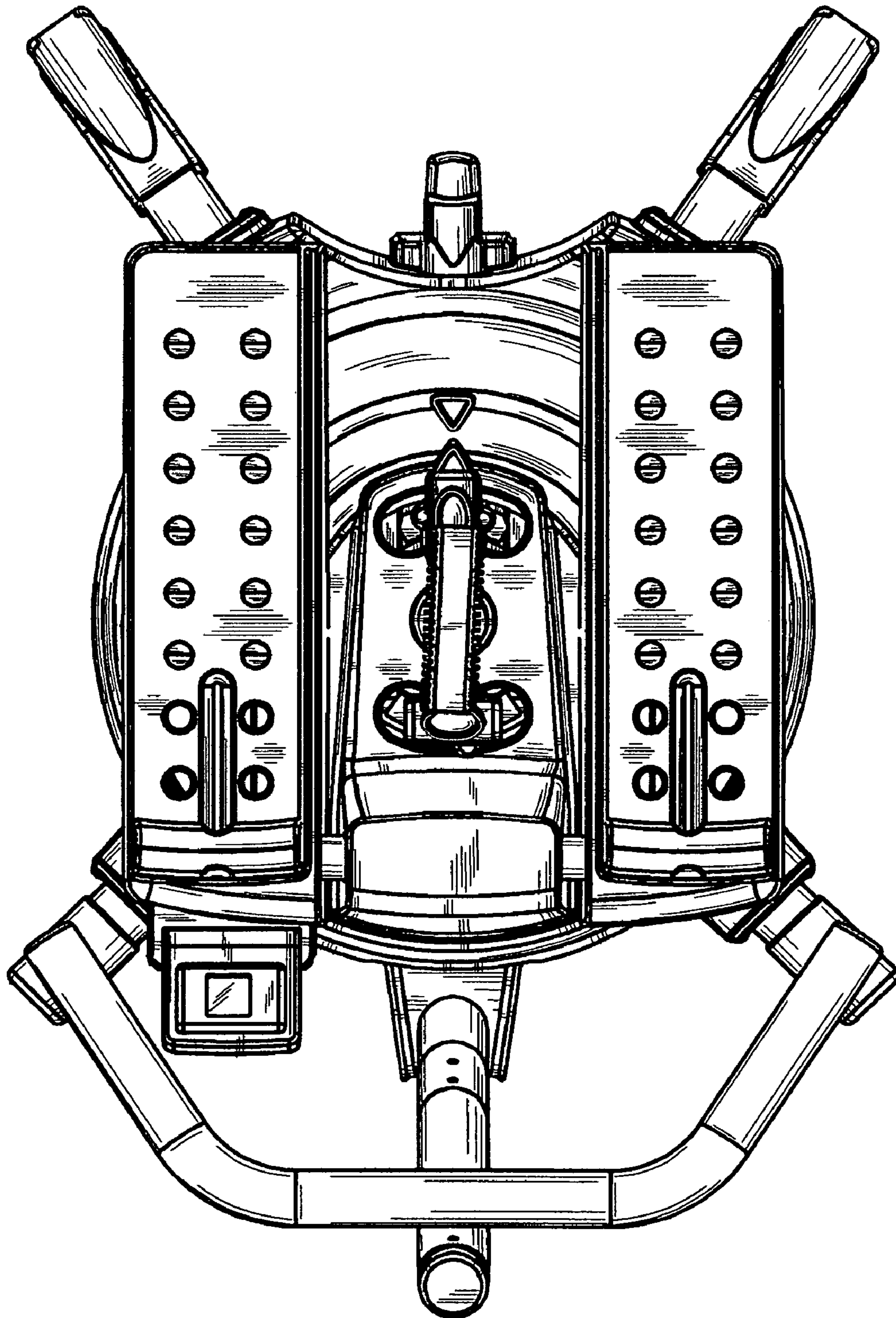


FIG. 5

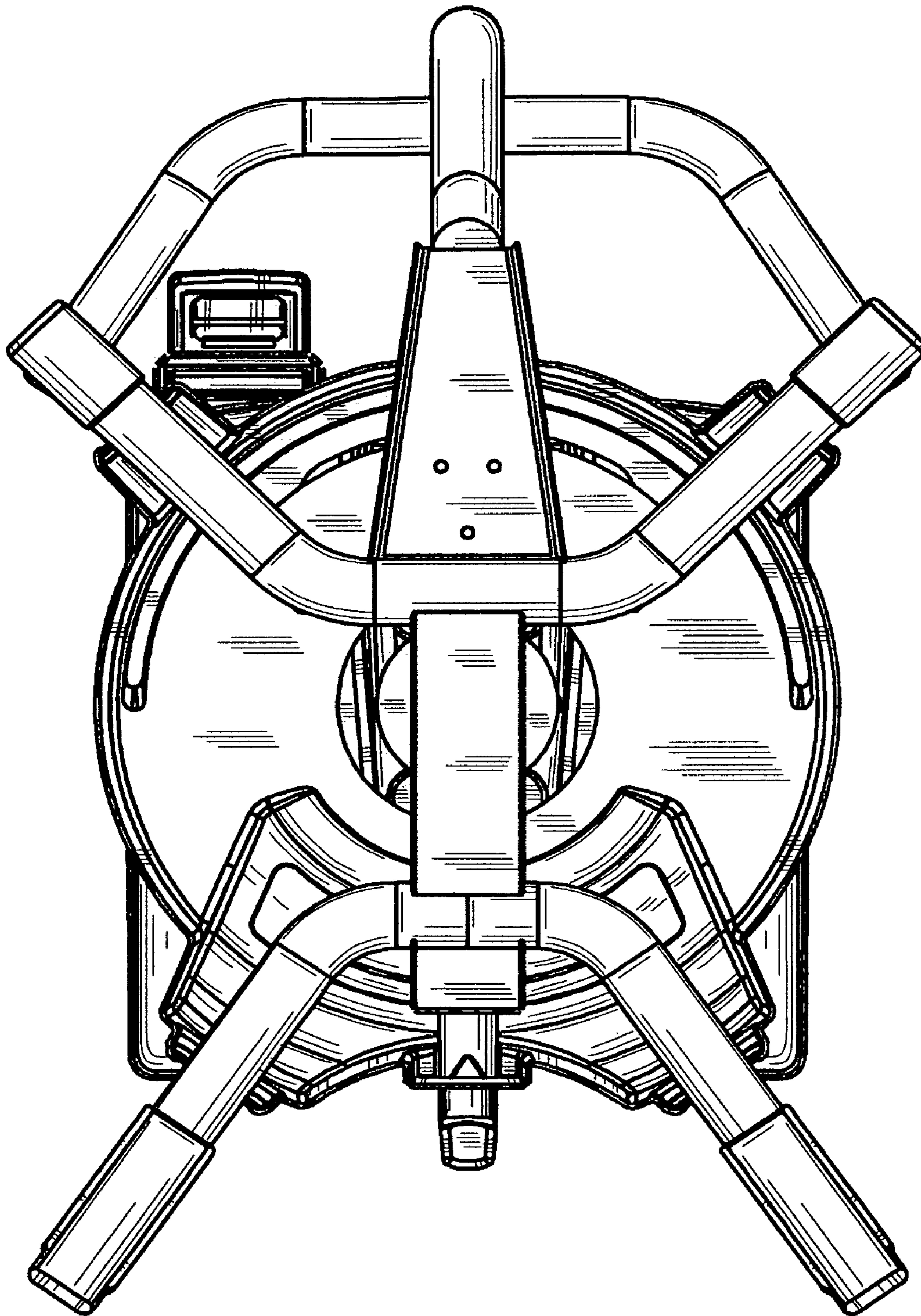


FIG. 6

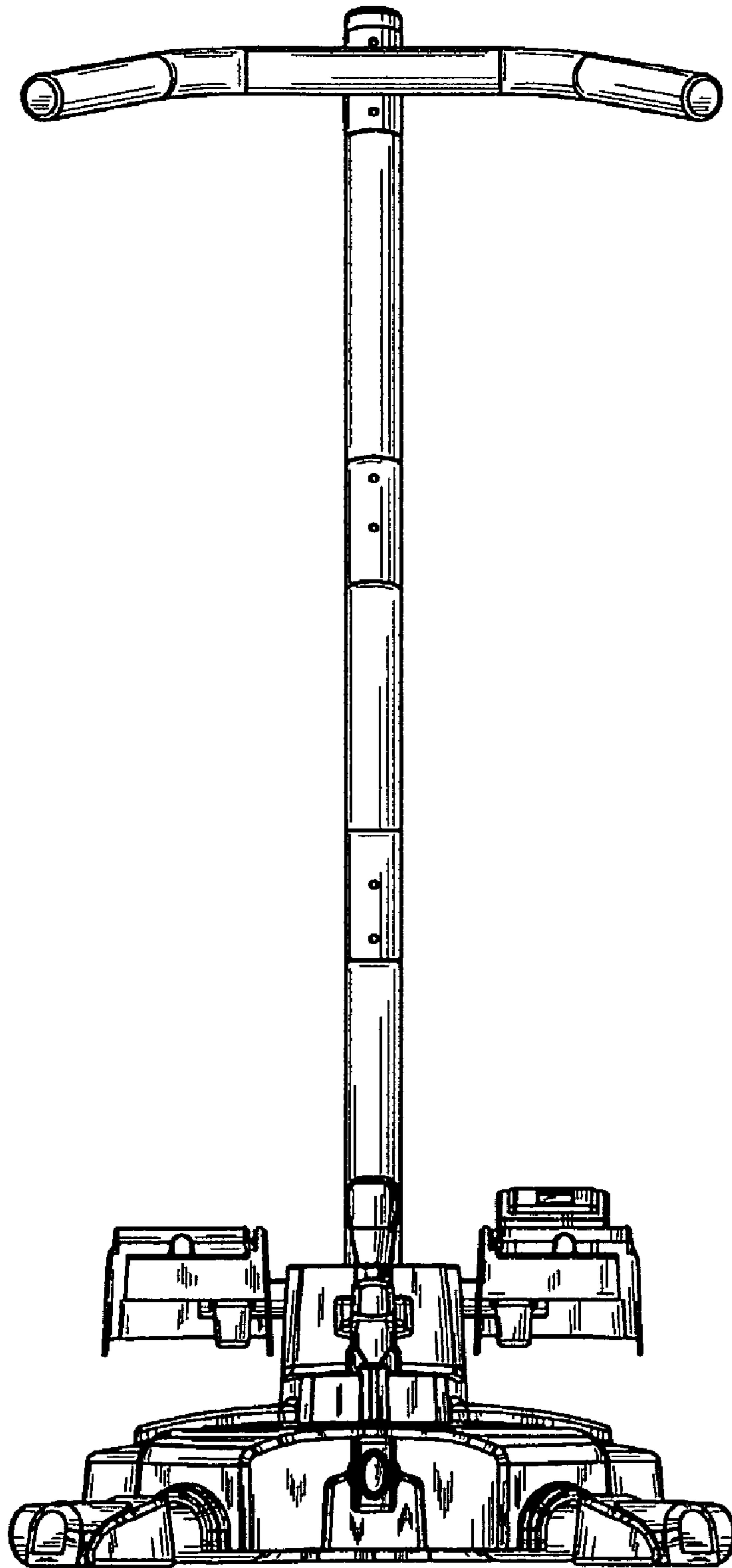


FIG. 7