



US00D569455S

(12) **United States Design Patent**
Dukhande

(10) **Patent No.:** **US D569,455 S**

(45) **Date of Patent:** **** May 20, 2008**

(54) **ELLIPTICAL STATIONARY EXERCISE
DEVICE**

(75) Inventor: **Sandeep Gopal Dukhande**, Homantin
(HK)

(73) Assignee: **Thane International, Inc.**, La Quinta,
CA (US)

(**) Term: **14 Years**

(21) Appl. No.: **29/285,963**

(22) Filed: **Apr. 17, 2007**

(51) **LOC (8) Cl.** **21-02**

(52) **U.S. Cl.** **D21/668**

(58) **Field of Classification Search** D21/662,
D21/663, 665, 666, 667, 668, 670; 482/51,
482/52, 62, 57, 70

See application file for complete search history.

(56) **References Cited**

U.S. PATENT DOCUMENTS

| | | | | | |
|-----------|-----|---------|--------------|-------|---------|
| 5,746,683 | A * | 5/1998 | Lee | | 482/57 |
| 5,779,599 | A * | 7/1998 | Chen | | 482/57 |
| 5,782,722 | A * | 7/1998 | Sands et al. | | 482/52 |
| D397,383 | S * | 8/1998 | Sands et al. | | D21/663 |
| D398,672 | S * | 9/1998 | Sands et al. | | D21/663 |
| D401,645 | S * | 11/1998 | Kuo | | D21/668 |
| D405,852 | S * | 2/1999 | McBride | | D21/670 |
| D406,289 | S * | 3/1999 | Hwang | | D21/668 |
| 6,007,462 | A * | 12/1999 | Chen | | 482/57 |

| | | | | | |
|-----------|------|---------|------------------|-------|---------|
| 6,063,008 | A * | 5/2000 | McBride et al. | | 482/52 |
| 6,159,132 | A | 12/2000 | Chang | | |
| D438,264 | S * | 2/2001 | Hsiung | | D21/670 |
| D458,977 | S * | 6/2002 | Tobias et al. | | D21/668 |
| D459,773 | S * | 7/2002 | Hsiung | | D21/668 |
| 6,450,925 | B1 * | 9/2002 | Kuo | | 482/52 |
| 6,652,423 | B1 * | 11/2003 | Chen | | 482/52 |
| D563,489 | S * | 3/2008 | Giannelli et al. | | D21/668 |

* cited by examiner

Primary Examiner—Philip S Hyder

(74) *Attorney, Agent, or Firm*—Law Offices of Kamran Fattahi

(57) **CLAIM**

The ornamental design for an elliptical stationary exercise device, as shown and described.

DESCRIPTION

FIG. 1 is a perspective view showing an elliptical stationary exercise device embodying my new design;

FIG. 2 is a front end elevation view thereof;

FIG. 3 is a left side elevation view thereof;

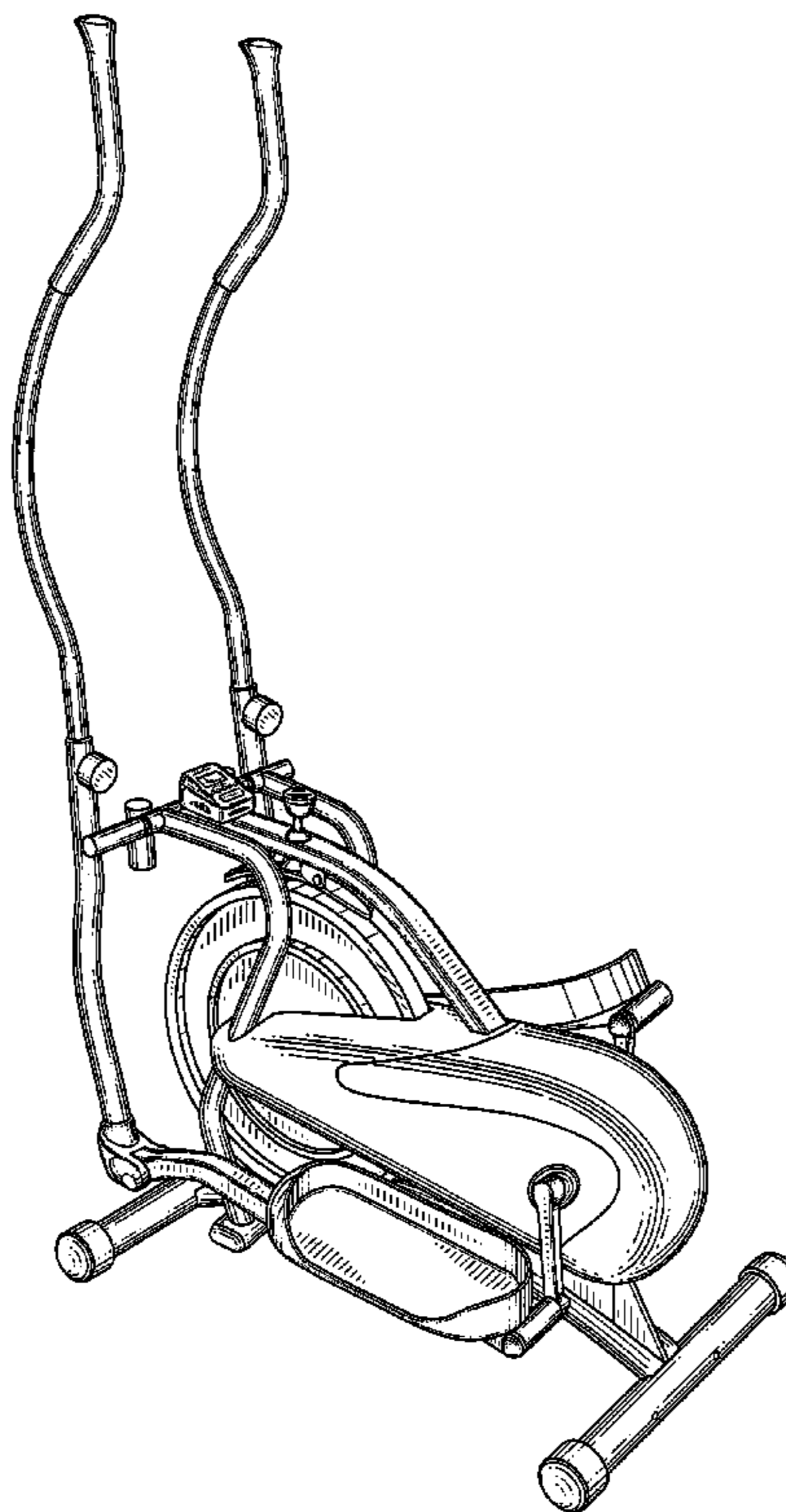
FIG. 4 is a rear end elevation view thereof;

FIG. 5 is a right side elevation view thereof;

FIG. 6 is top plan view thereof; and,

FIG. 7 is a bottom plan view thereof.

1 Claim, 6 Drawing Sheets



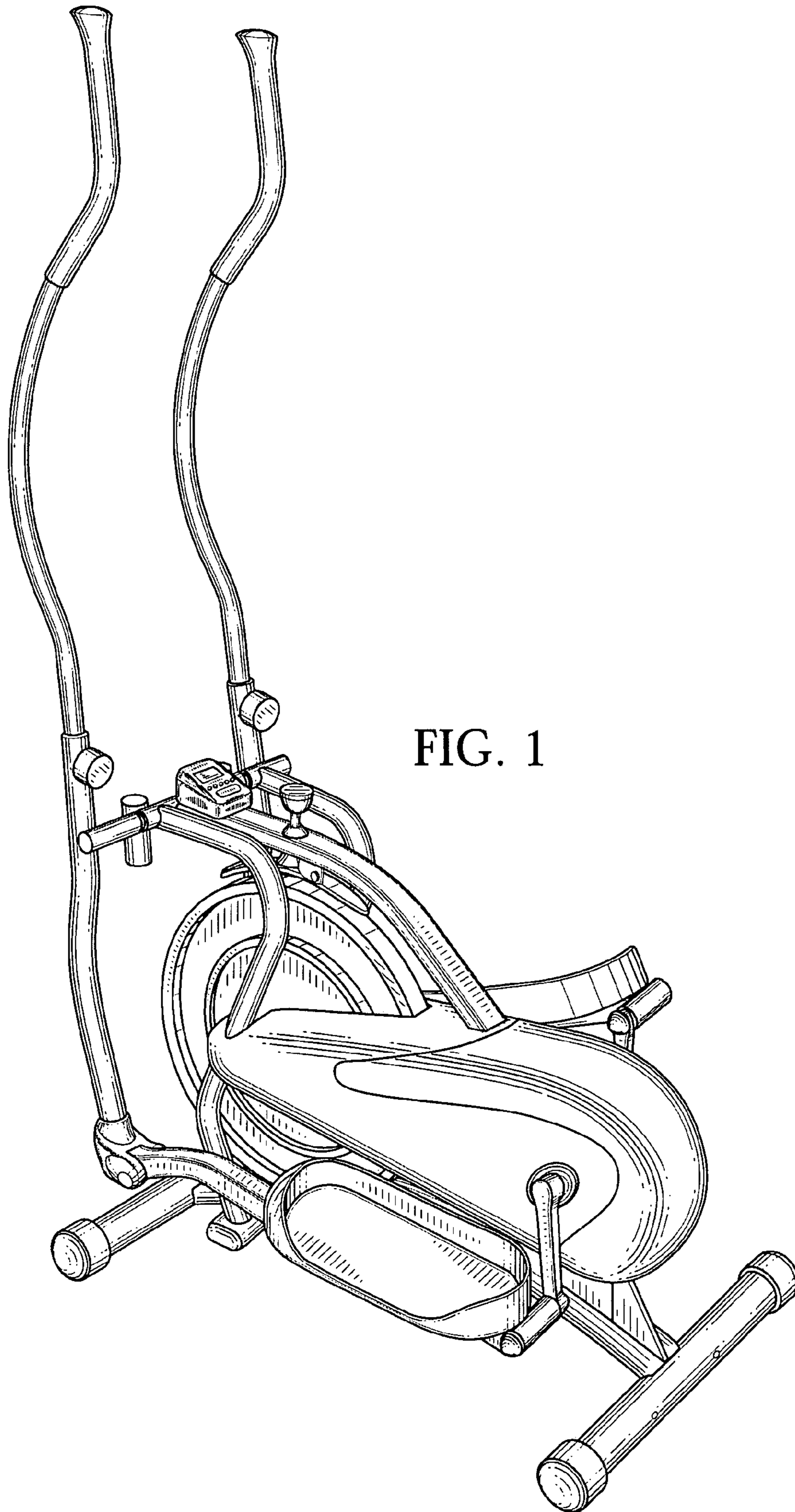


FIG. 1

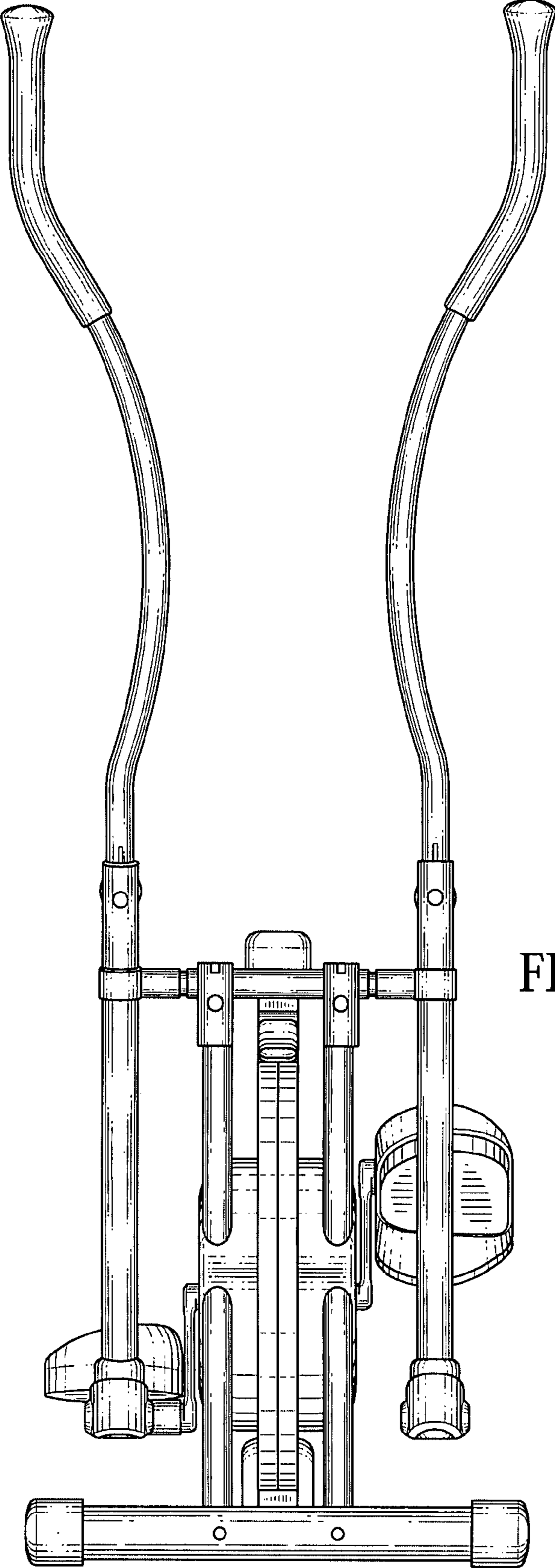


FIG. 2

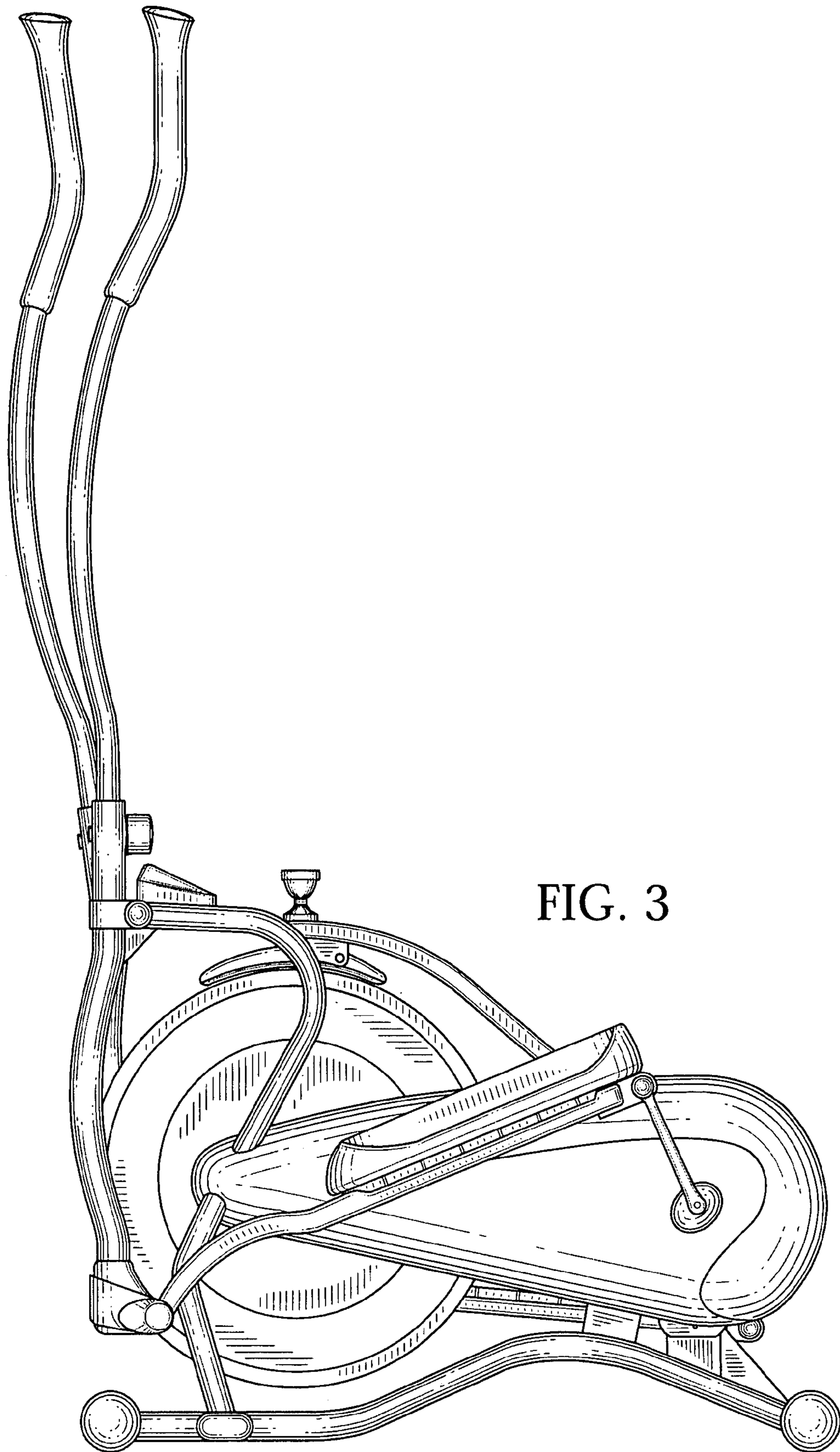


FIG. 3

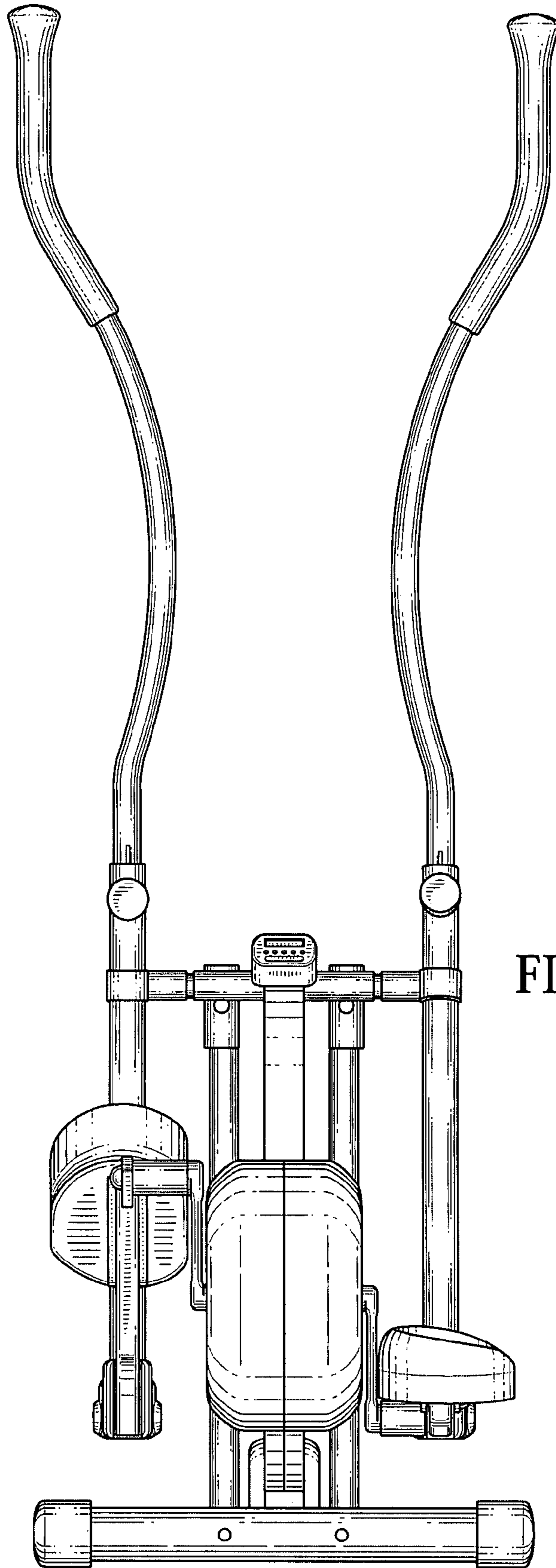


FIG. 4

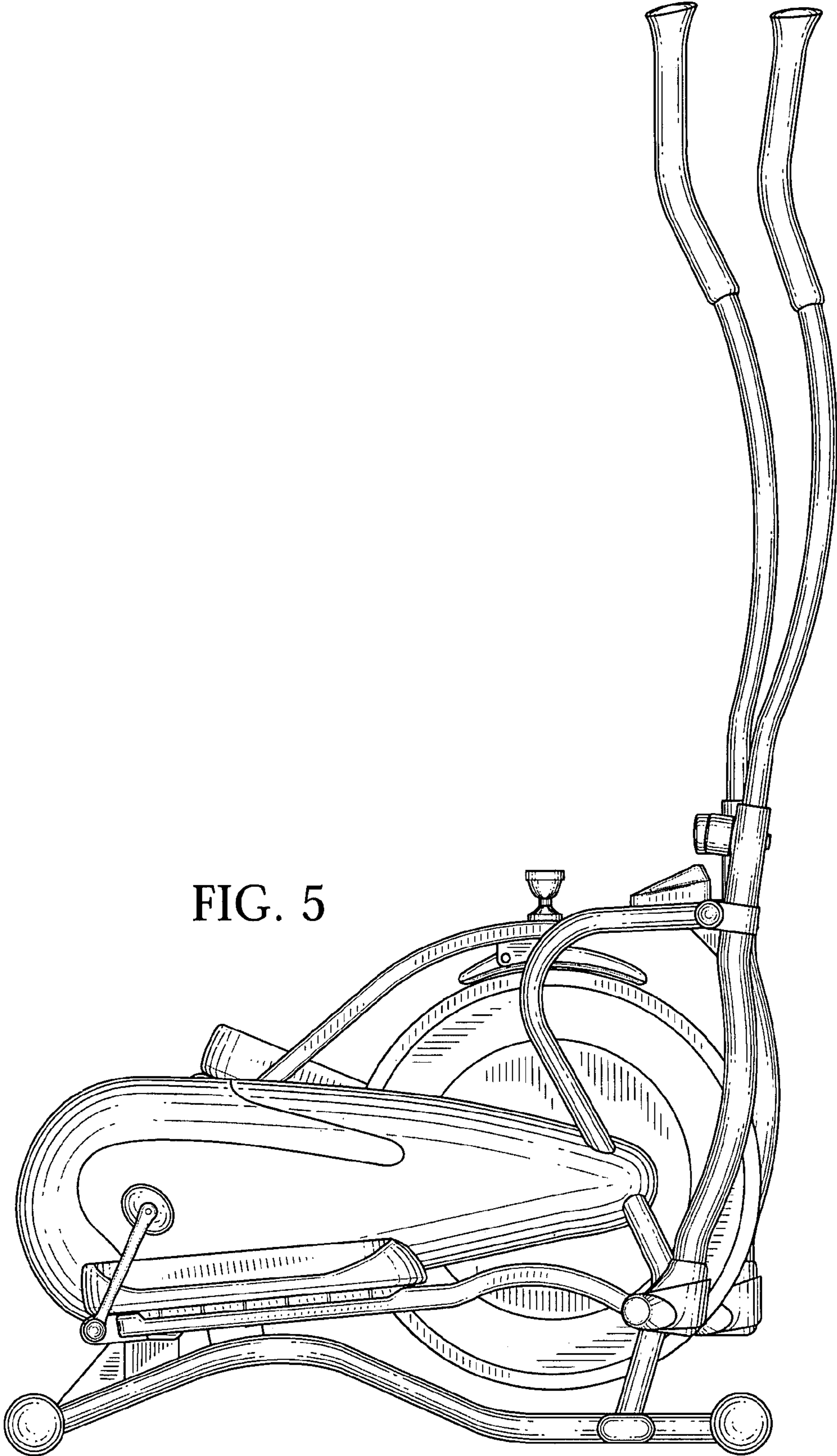


FIG. 5

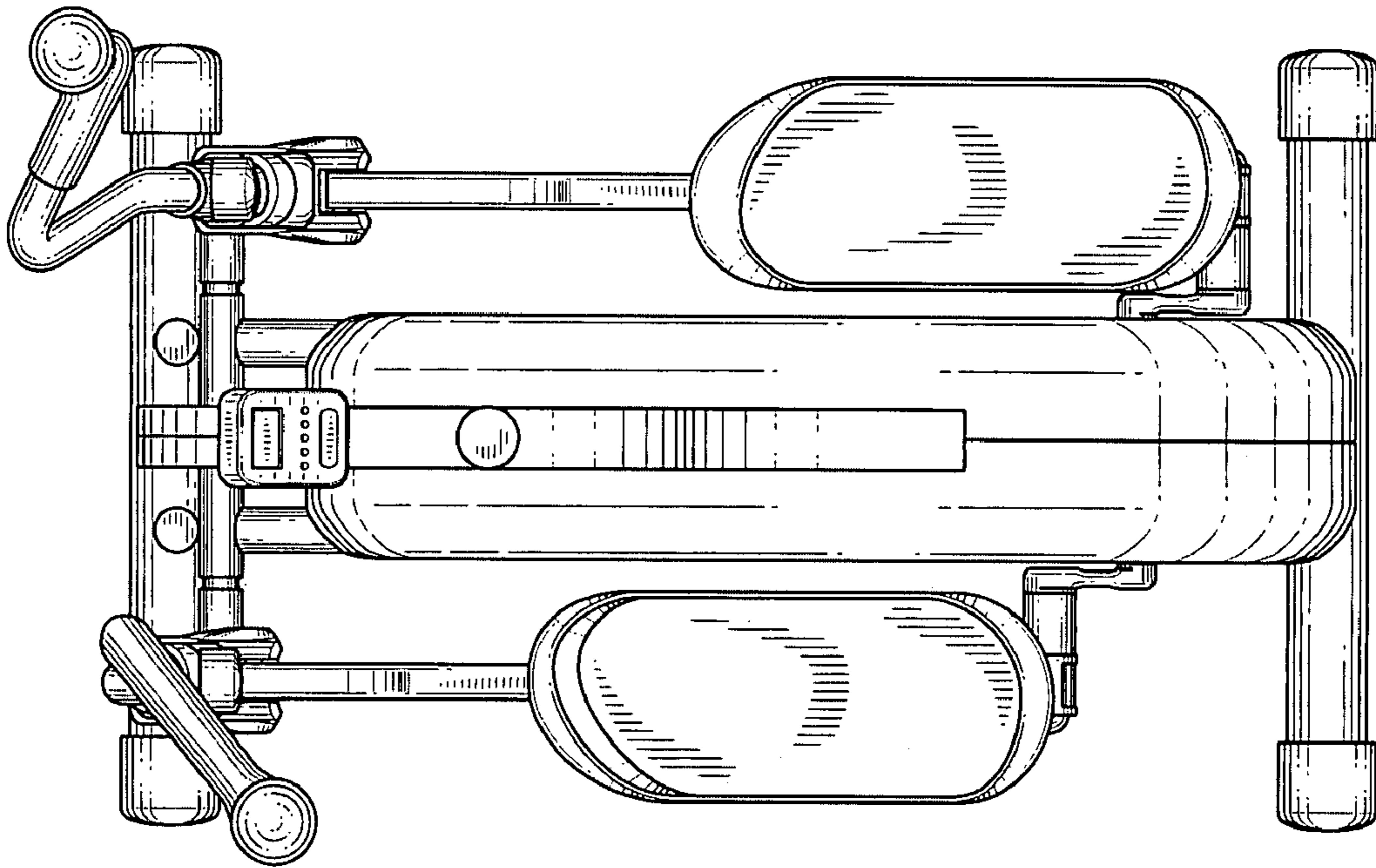


FIG. 6

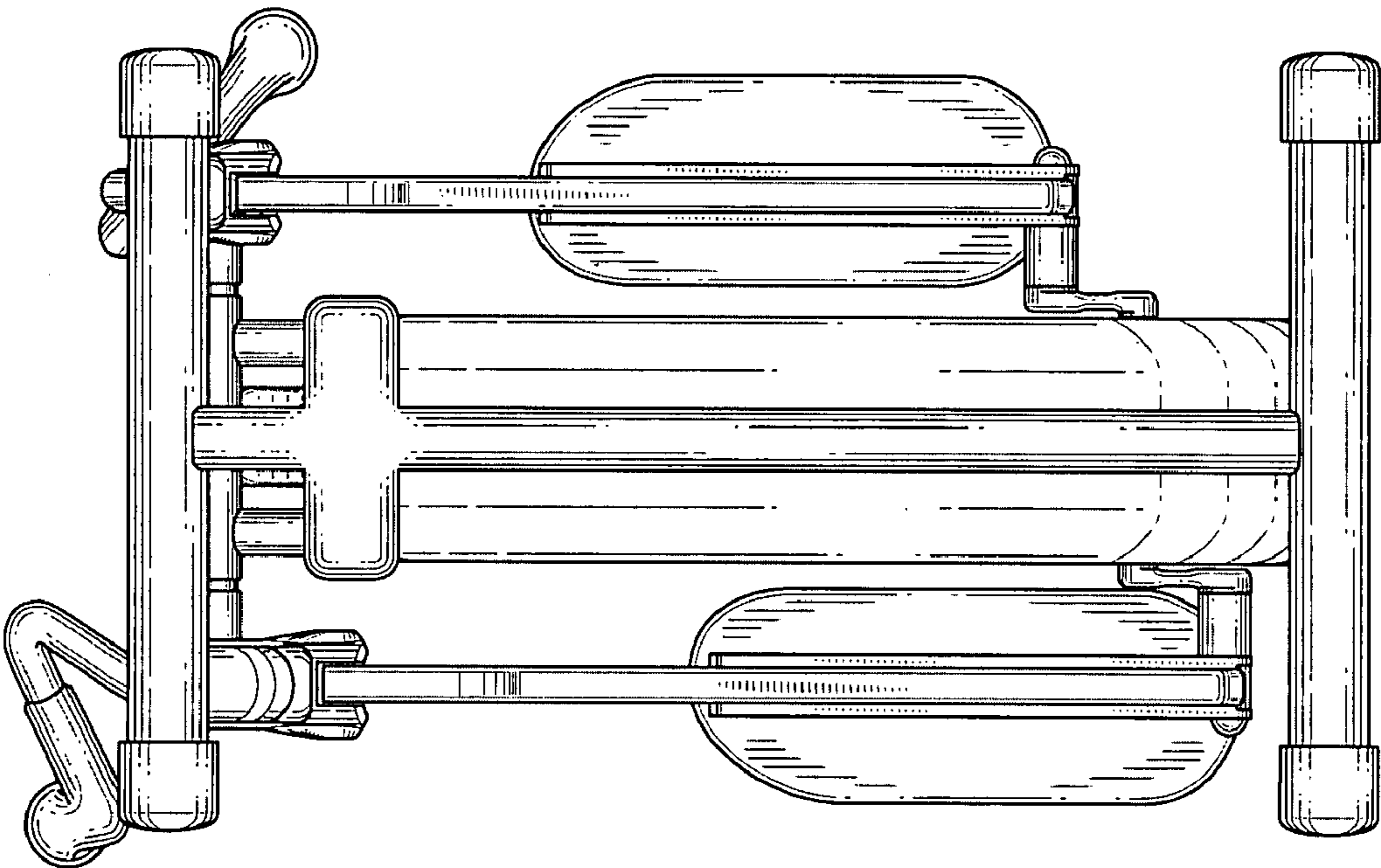


FIG. 7