



US00D569449S

(12) **United States Design Patent**
Chung

(10) **Patent No.:** **US D569,449 S**

(45) **Date of Patent:** **** May 20, 2008**

(54) **TOY TRACTOR**

(76) Inventor: **Li-Ping Chung**, No. 33, Lane 458, She Chung St., Shihlin District, Taipei City 111 (TW)

(**) Term: **14 Years**

(21) Appl. No.: **29/283,501**

(22) Filed: **Aug. 16, 2007**

(51) **LOC (8) Cl.** **21-01**

(52) **U.S. Cl.** **D21/431**

(58) **Field of Classification Search** D21/419, D21/422, 426, 427, 433, 537, 554, 559; D15/10, D15/15, 23, 26; 446/431, 433, 434; 280/827, 280/828, 87.01, 87.021, 87.03, 87.051, 47.37, 280/47.38, 47.4

See application file for complete search history.

(56) **References Cited**

U.S. PATENT DOCUMENTS

- 2,786,305 A * 3/1957 Carter 446/434
- D271,315 S * 11/1983 Nottingham et al. D21/431
- D277,770 S * 2/1985 Mariol D21/431
- D382,024 S * 8/1997 Ewringmann D21/431
- D478,131 S * 8/2003 Schneider D21/431

- D479,565 S * 9/2003 Schneider D21/431
- D484,552 S * 12/2003 Schneider D21/431
- D484,924 S * 1/2004 Schneider D21/431
- 2006/0105669 A1 * 5/2006 Ewringmann 446/434

* cited by examiner

Primary Examiner—Holly H. Baynham

Assistant Examiner—Cynthia M Chin

(74) *Attorney, Agent, or Firm*—Ming Chow; Sinorica, LLC

(57) **CLAIM**

The ornamental design of a toy tractor, as shown and described.

DESCRIPTION

FIG. 1 is a perspective view of a toy tractor showing the new design;

FIG. 2 is a front view thereof;

FIG. 3 is a rear view thereof;

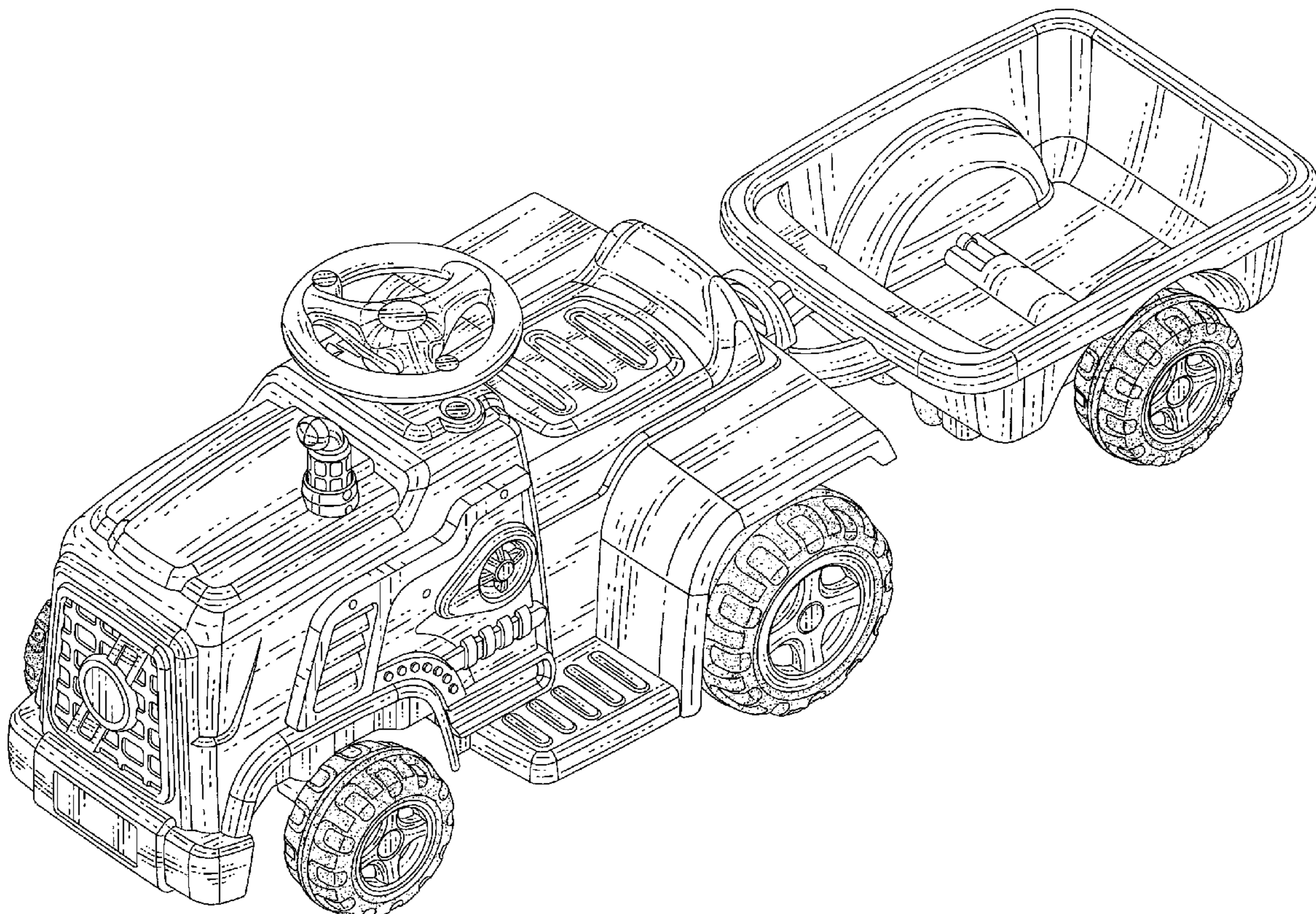
FIG. 4 is a left side view thereof;

FIG. 5 is a right side view thereof;

FIG. 6 is a top view thereof; and,

FIG. 7 is a bottom view thereof.

1 Claim, 6 Drawing Sheets



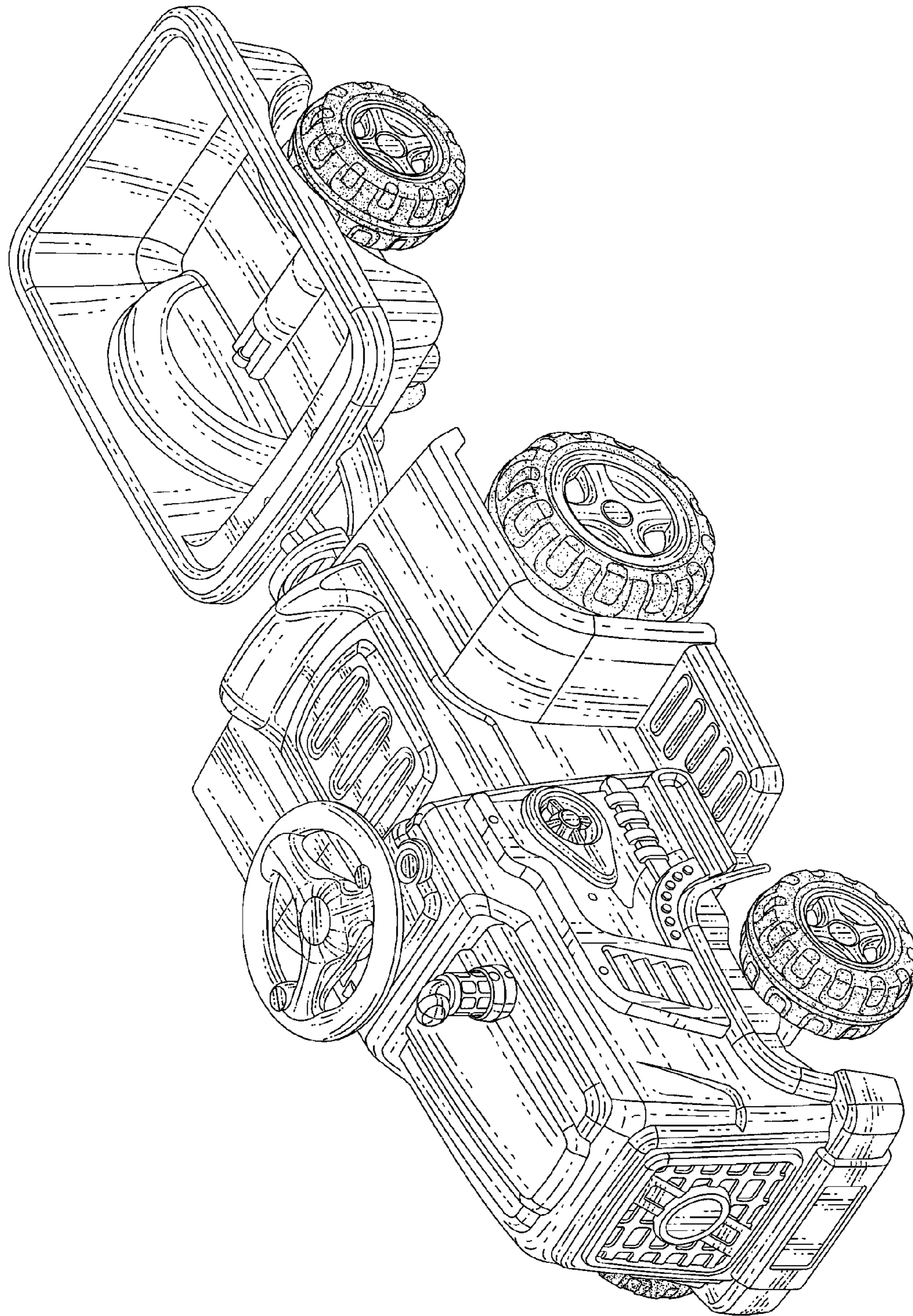


FIG. 1

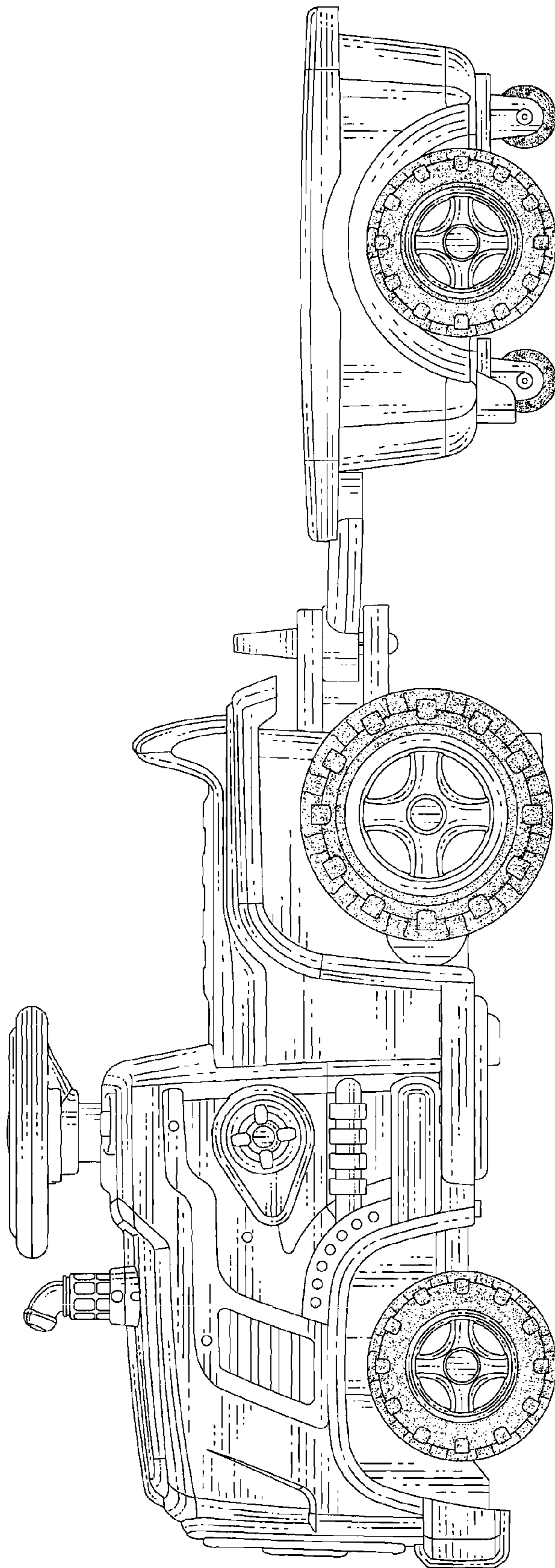


FIG. 2

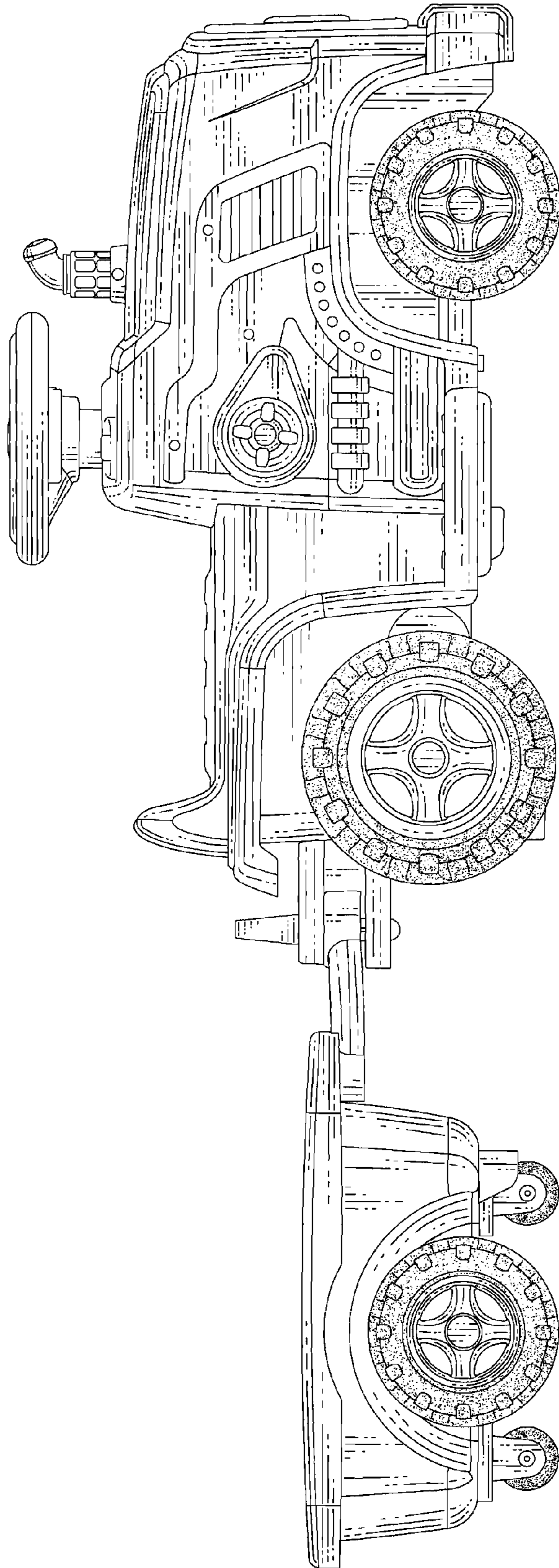


FIG. 3

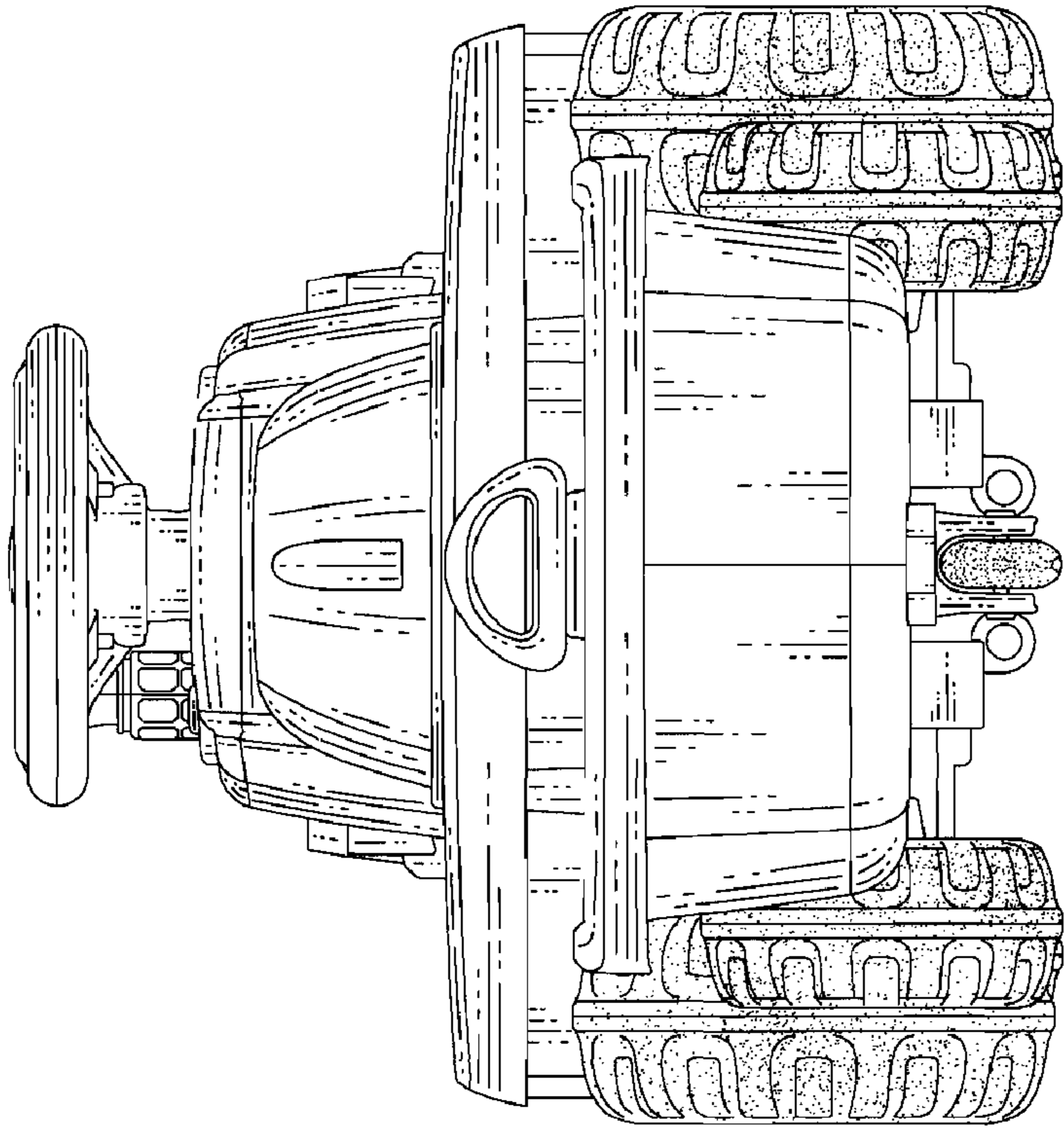


FIG. 5

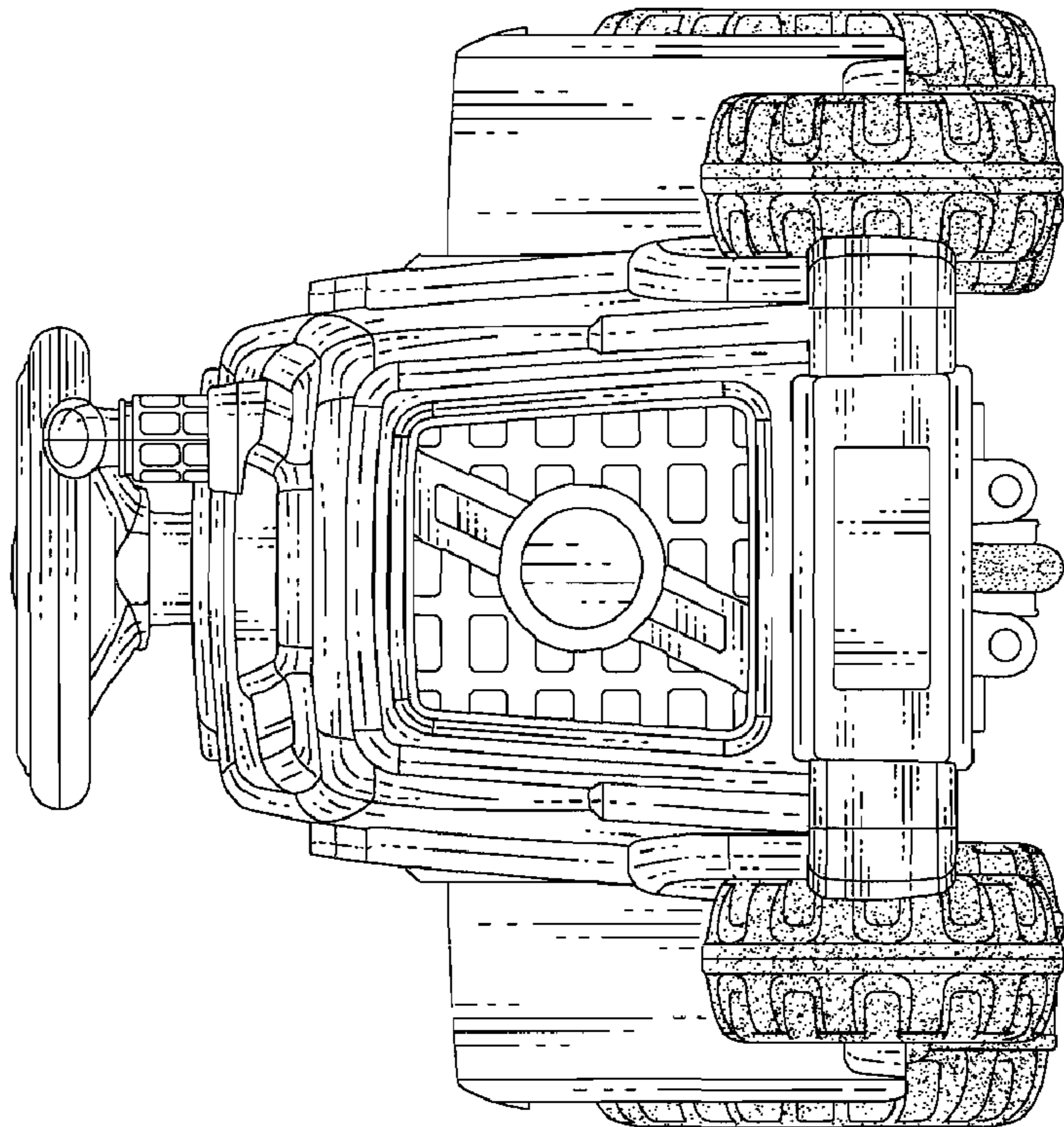


FIG. 4

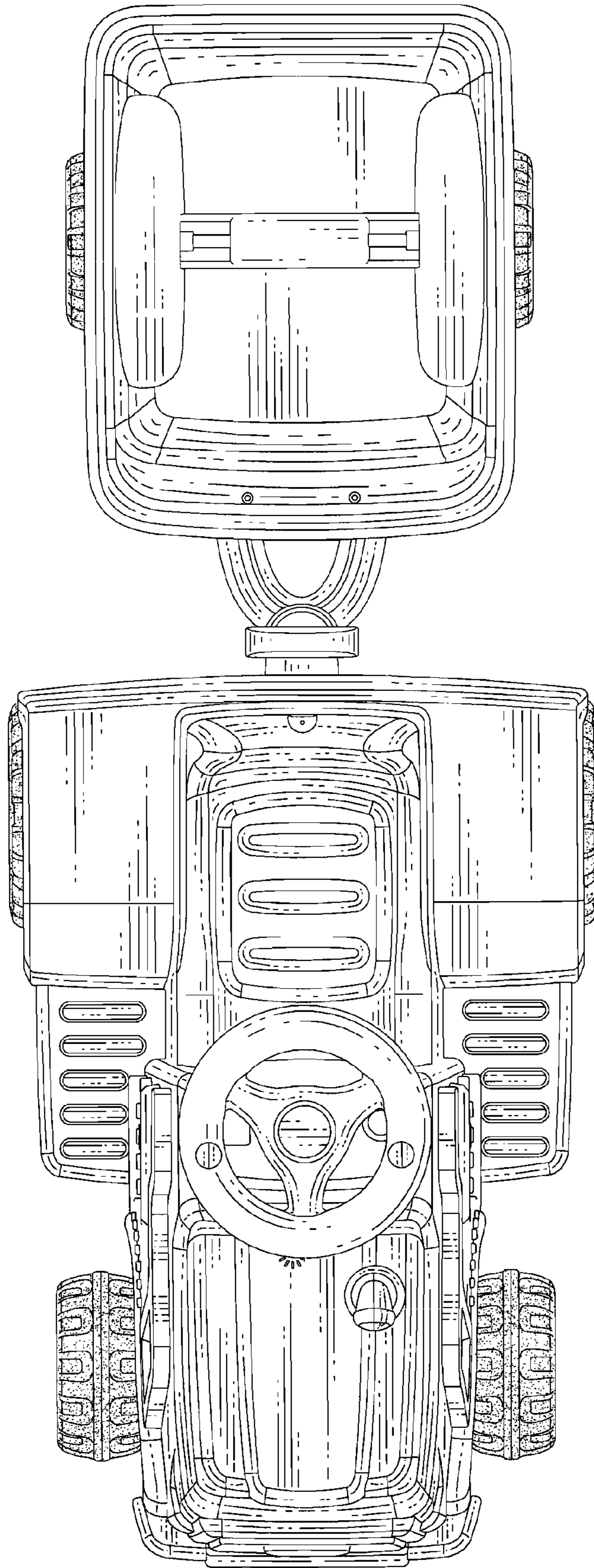


FIG. 6

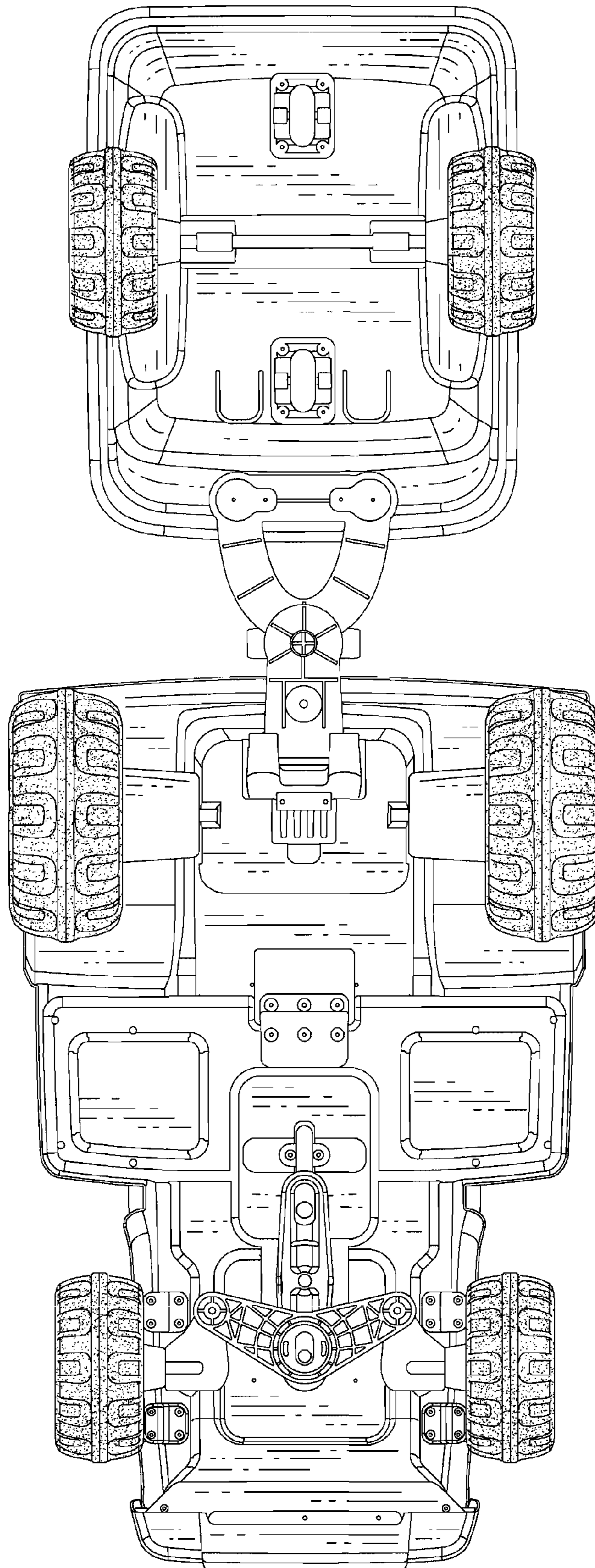


FIG. 7