



US00D569448S

(12) **United States Design Patent**  
**Sramek et al.**

(10) **Patent No.:** **US D569,448 S**

(45) **Date of Patent:** **\*\* May 20, 2008**

(54) **THREE-WHEEL SCOOTER**

(75) Inventors: **Steve Sramek**, Long Beach, CA (US);  
**Robert Hadley**, Yorba Linda, CA (US)

(73) Assignee: **Razor USA LLC**, Cerritos, CA (US)

(\*\*) Term: **14 Years**

(21) Appl. No.: **29/282,296**

(22) Filed: **Jul. 16, 2007**

(51) **LOC (8) Cl.** ..... **21-01**

(52) **U.S. Cl.** ..... **D21/423**

(58) **Field of Classification Search** ..... D21/419,  
D21/421, 423, 424, 426, 433, 435, 533, 538,  
D21/760, 765, 771; D12/107, 111-113, 114,  
D12/117, 118-121; 280/87.021, 87.041,  
280/239, 263, 288.1-288.4; 180/180, 181  
See application file for complete search history.

(56) **References Cited**

U.S. PATENT DOCUMENTS

2,597,748	A *	5/1952	Powell	.....	280/87.041
4,088,338	A *	5/1978	Winchell et al.	.....	280/220
4,165,093	A *	8/1979	Biskup	.....	280/220
D291,211	S *	8/1987	Man	.....	D21/423
5,785,331	A *	7/1998	Rappaport	.....	280/87.041
6,467,781	B1 *	10/2002	Feng	.....	280/87.01
6,554,302	B1 *	4/2003	Liu	.....	280/87.041

D497,957	S *	11/2004	Chuang	.....	D21/423
D553,198	S *	10/2007	Atri	.....	D21/435
2002/0063411	A1 *	5/2002	Feng	.....	280/278
2002/0070519	A1 *	6/2002	Rappaport	.....	280/87.041
2003/0090076	A1 *	5/2003	Beleski, Jr.	.....	280/87.041

\* cited by examiner

*Primary Examiner*—Holly H. Baynham

*Assistant Examiner*—Cynthia M. Chin

(74) *Attorney, Agent, or Firm*—Charles C. H. Wu; Wu & Cheung, LLP

(57) **CLAIM**

The ornamental design for a three-wheel scooter, as shown and described.

**DESCRIPTION**

FIG. 1 is a perspective view of the three-wheel scooter showing the new design;

FIG. 2 is a front elevational view thereof;

FIG. 3 is a top plan view thereof;

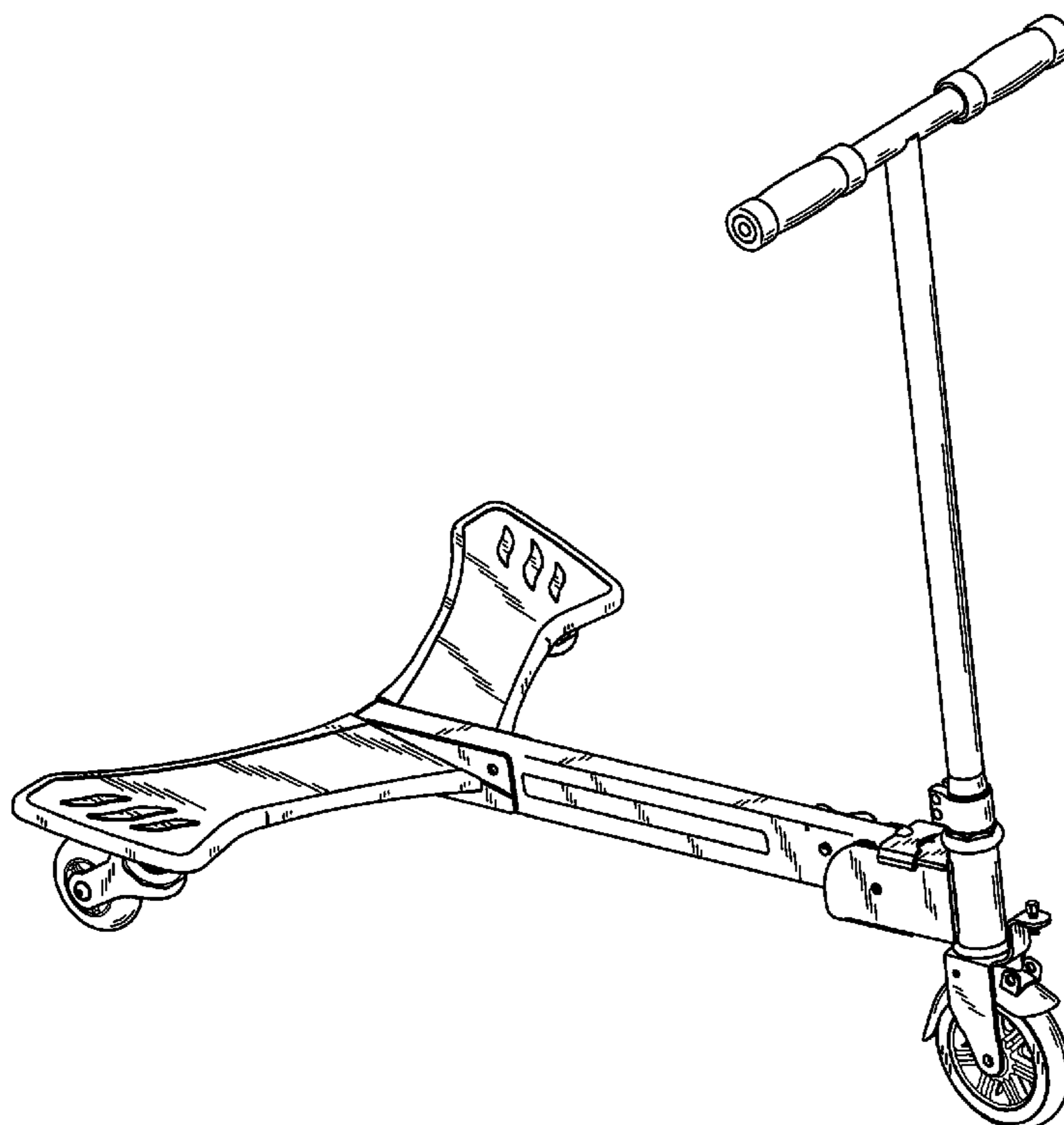
FIG. 4 is a left side elevational view thereof;

FIG. 5 is a bottom plan view thereof;

FIG. 6 is a rear elevational view thereof; and,

FIG. 7 is right side elevational view thereof.

**1 Claim, 7 Drawing Sheets**



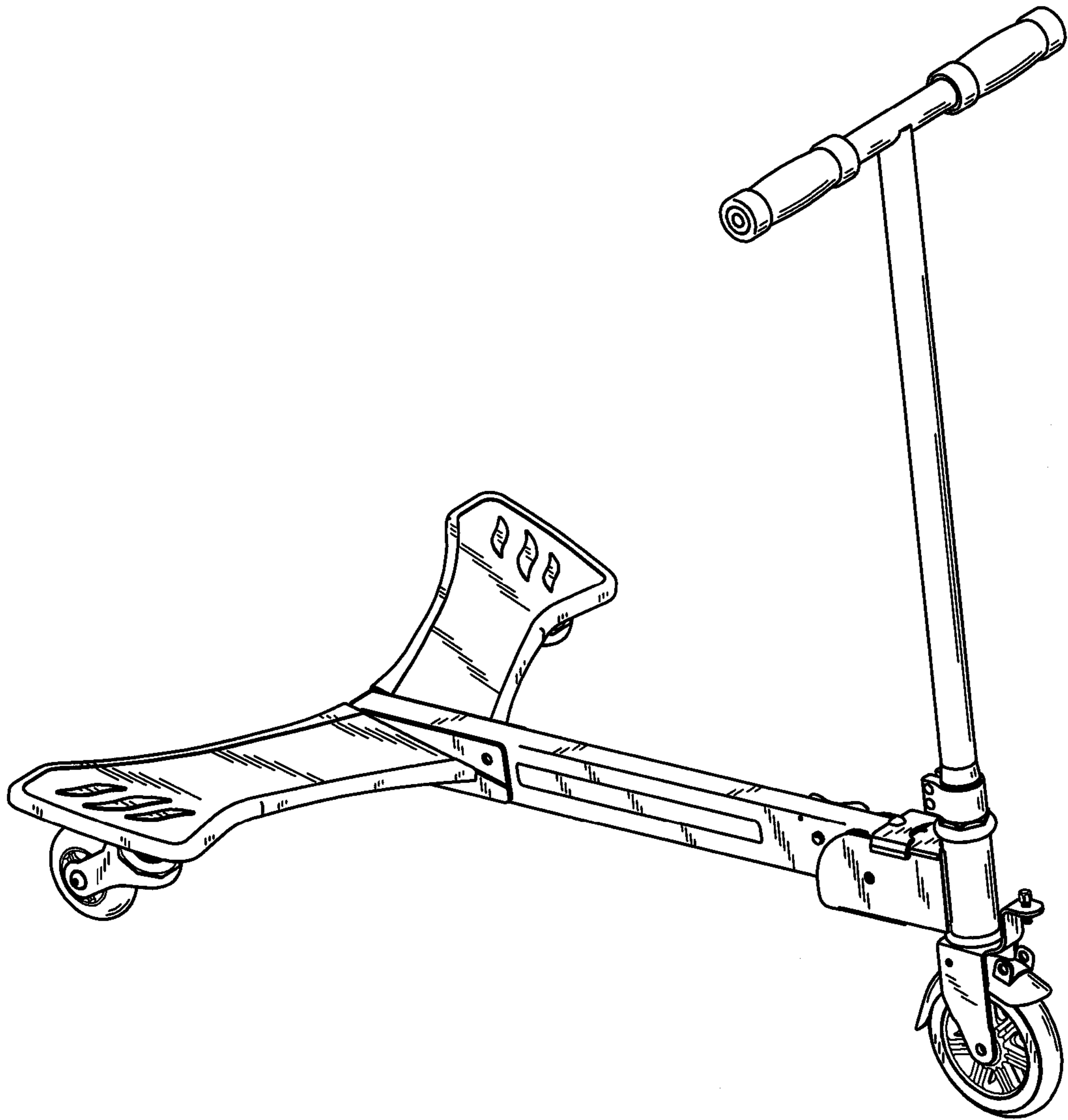


FIG. 1

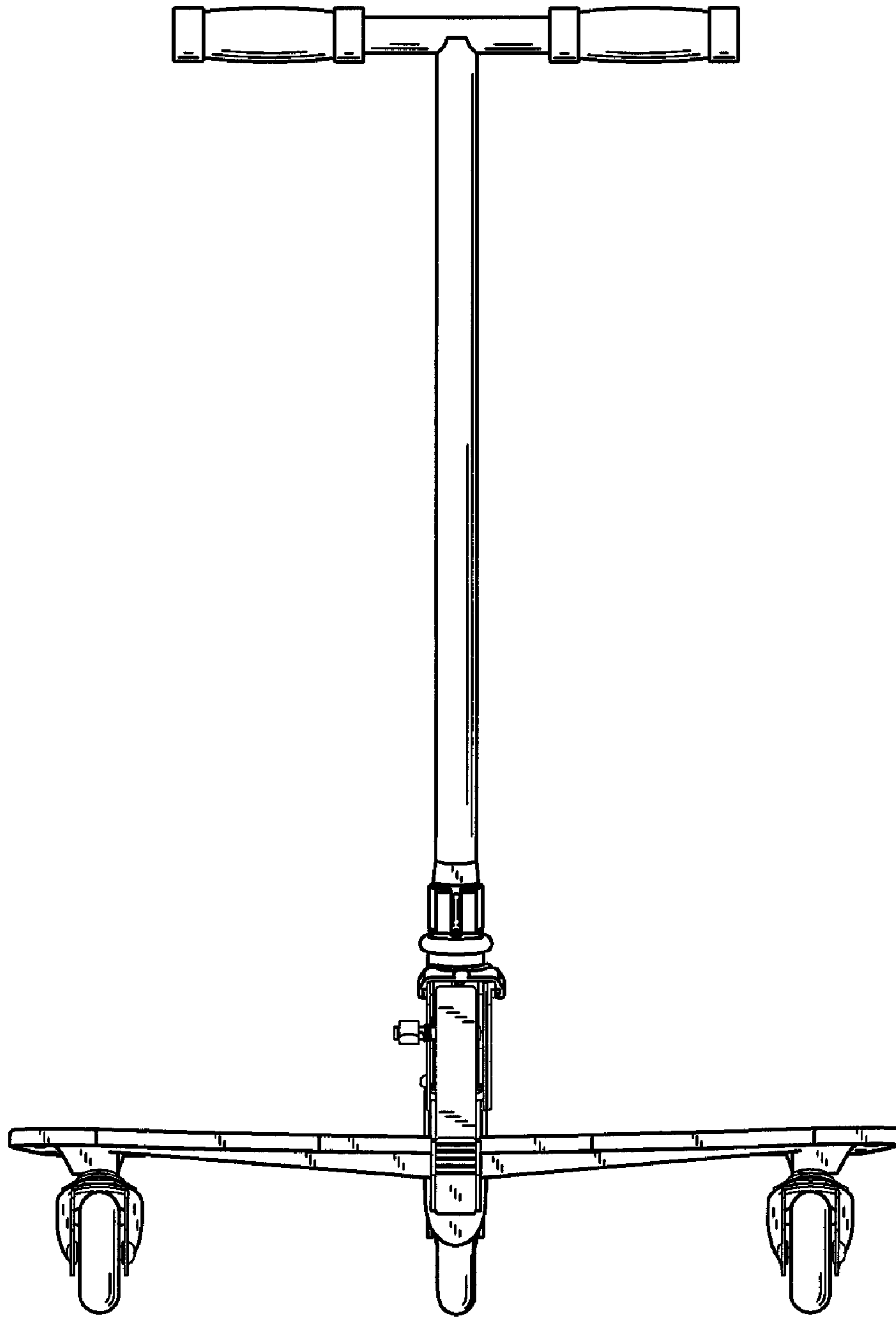


FIG. 2

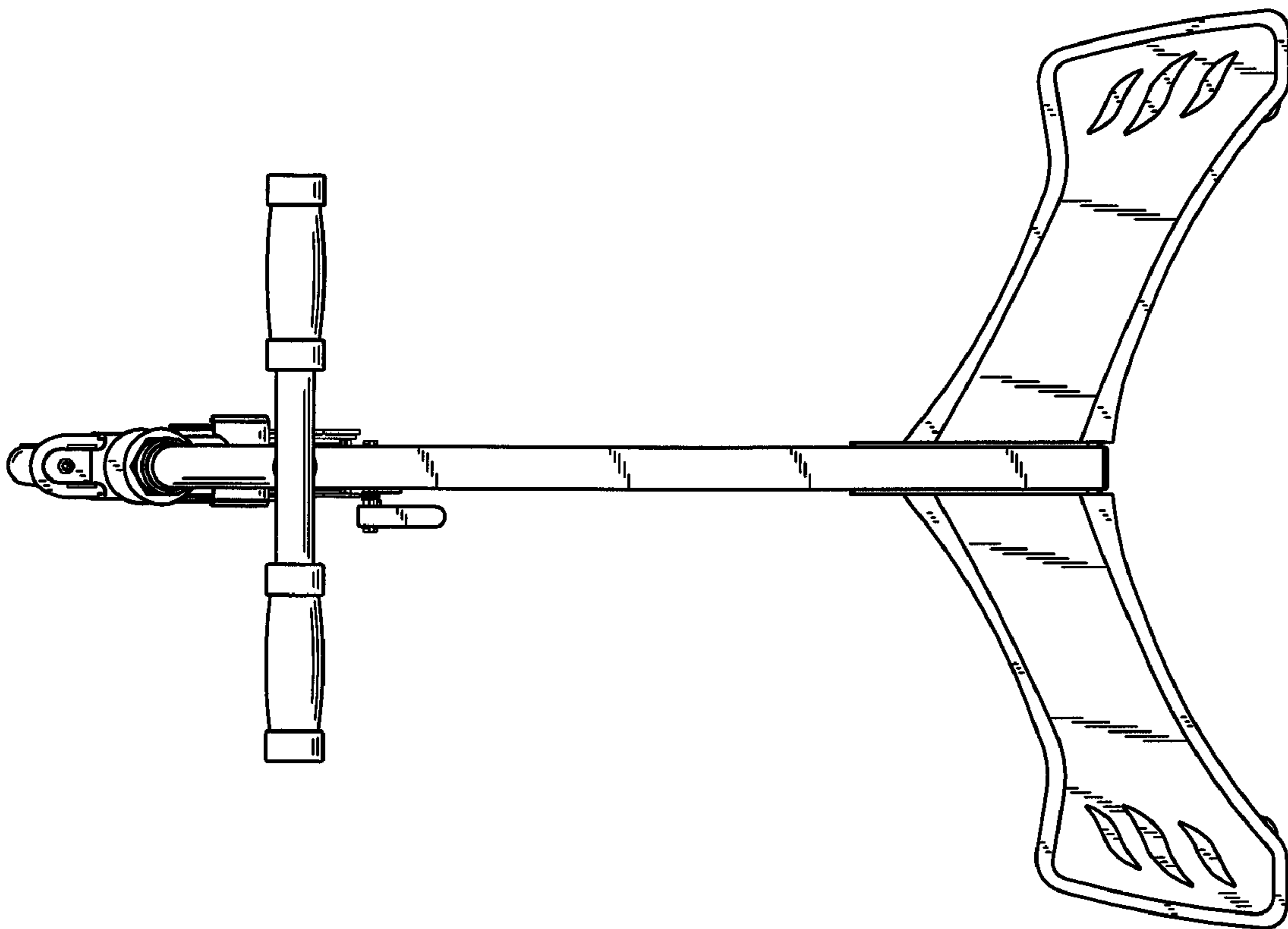


FIG. 3

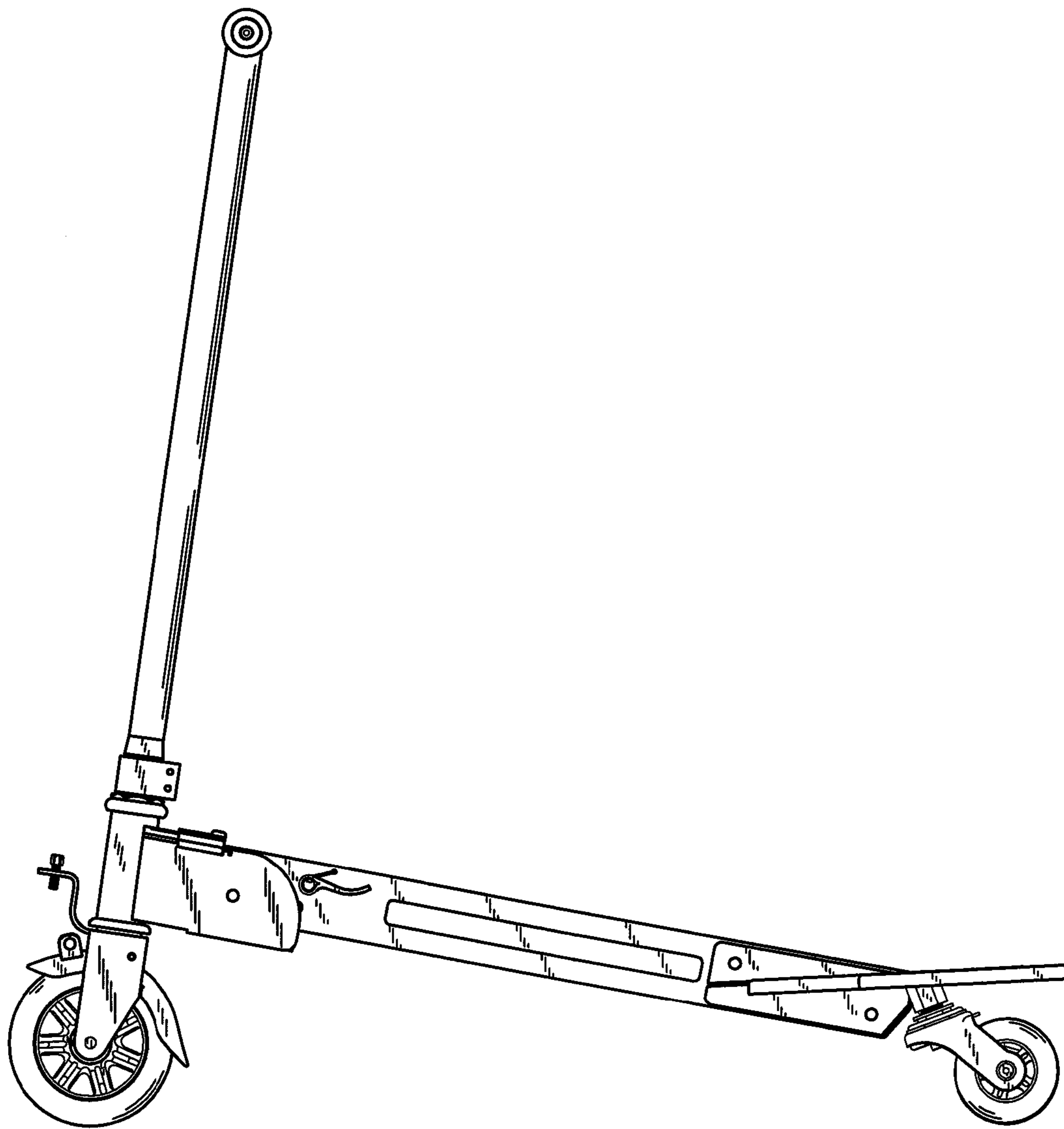


FIG. 4

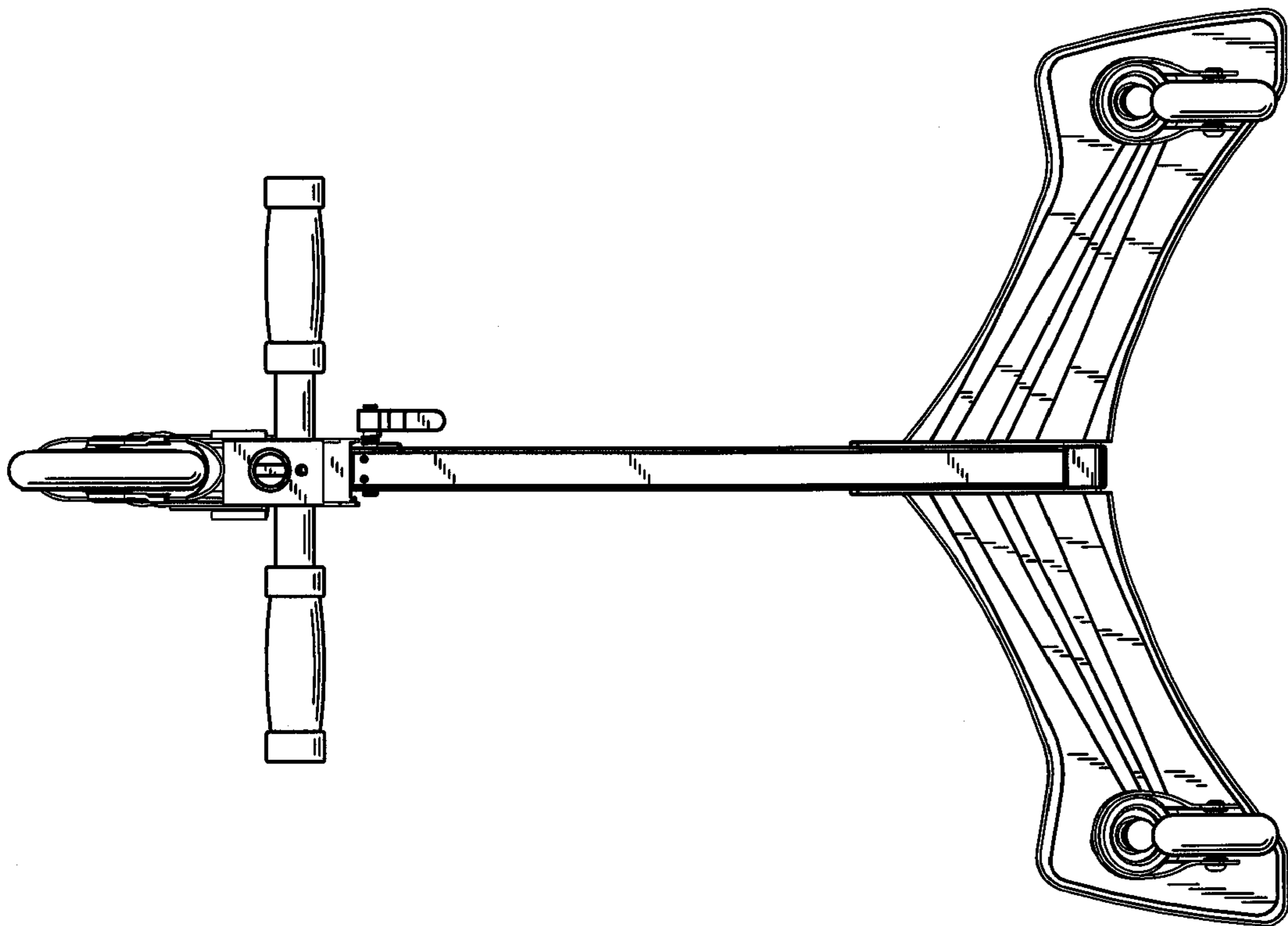


FIG. 5

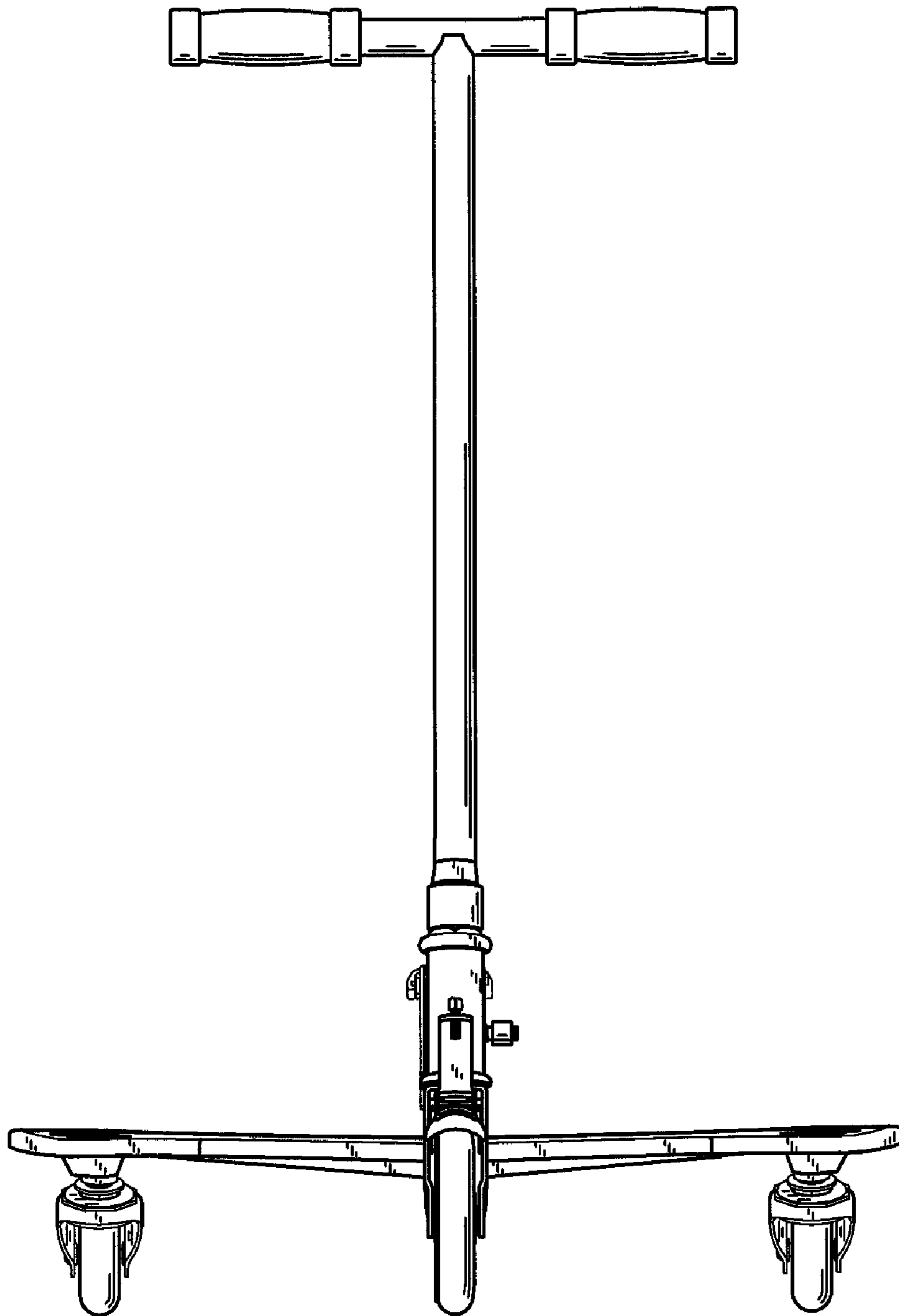


FIG. 6

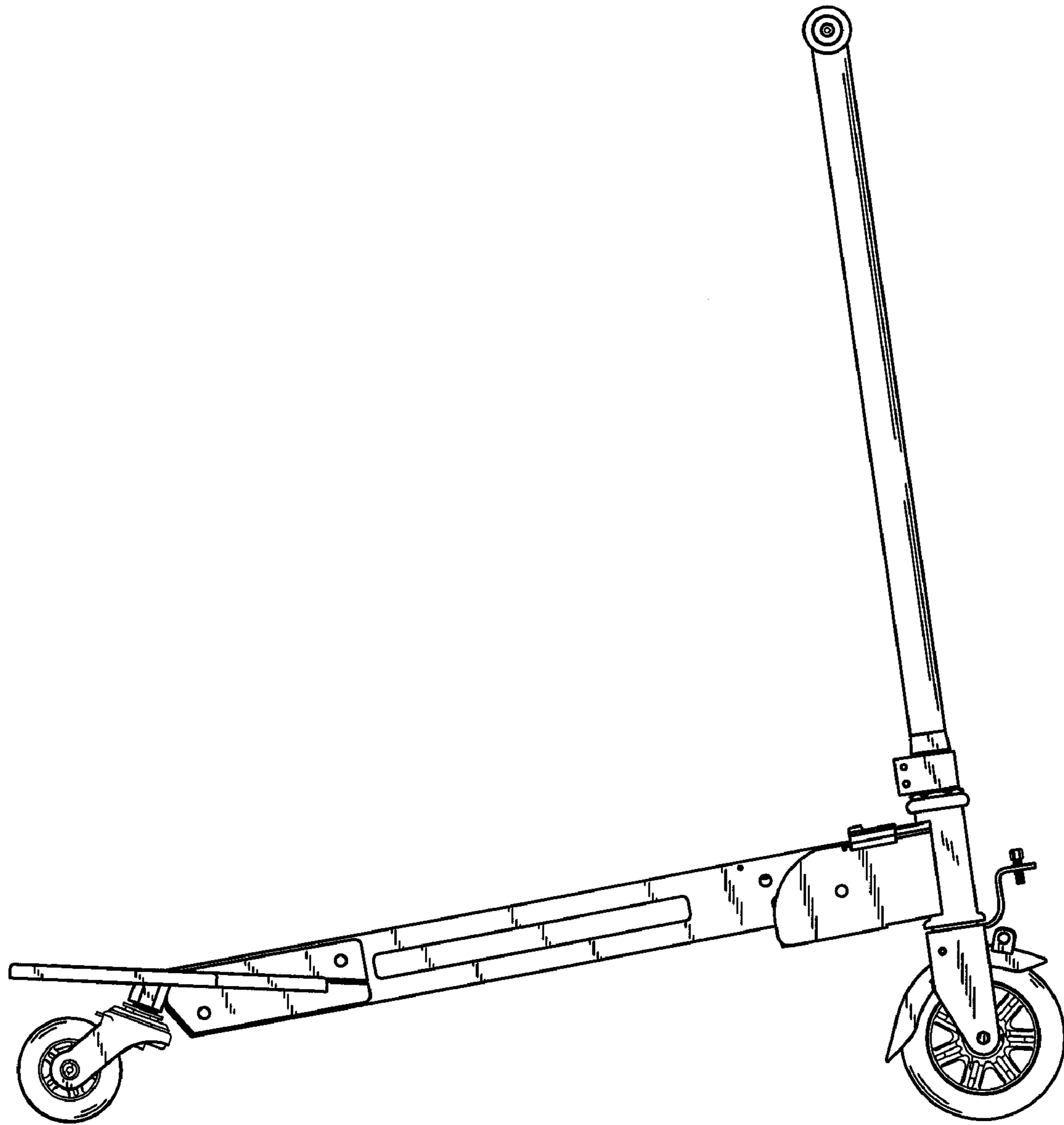


FIG. 7