



US00D569447S

(12) **United States Design Patent**
Thomas

(10) **Patent No.:** **US D569,447 S**
(45) **Date of Patent:** **** May 20, 2008**

(54) **SCOOTER**

(76) Inventor: **Enda Thomas**, 2 Horseshoe, Enfield
(GB) EN2 6PY

(**) Term: **14 Years**

(21) Appl. No.: **29/268,074**

(22) Filed: **Oct. 30, 2006**

(30) **Foreign Application Priority Data**

Apr. 29, 2006 (GB) 3024685
Apr. 29, 2006 (GB) 3024686

(51) **LOC (8) Cl.** **21-01**

(52) **U.S. Cl.** **D21/423**

(58) **Field of Classification Search** D21/419,
D21/421, 423, 424, 426, 435, 533, 538, 760;
D12/1, 107, 111-113, 117; 280/87.021, 87.041,
280/282, 288.1-288.4, 200, 210, 214, 239;
180/180, 181

See application file for complete search history.

(56) **References Cited**

U.S. PATENT DOCUMENTS

1,227,888 A * 5/1917 Converse 280/87.041
2,861,814 A * 11/1958 Rebhun 280/243
6,179,307 B1 * 1/2001 Mao 280/87.041
D533,601 S * 12/2006 Moreira D21/423
D547,388 S * 7/2007 Thomas et al. D21/423

FOREIGN PATENT DOCUMENTS

GB 3018086 7/2004

GB 3018169 7/2004
GB 3019328 11/2004
GB 3019329 11/2004
GB 3019330 11/2004
GB 3019331 11/2004
GB 3019332 11/2004
WO WO 2006/005893 1/2006

* cited by examiner

Primary Examiner—Holly H. Baynham

Assistant Examiner—Cynthia M. Chin

(74) *Attorney, Agent, or Firm*—Young & Thompson

(57) **CLAIM**

The ornamental design for a scooter, as shown.

DESCRIPTION

FIG. 1 is a top, front and side perspective view of a scooter showing my new design;

FIG. 2 is a side elevational view thereof;

FIG. 3 is a side elevational view thereof from the side opposite that shown in FIG. 2;

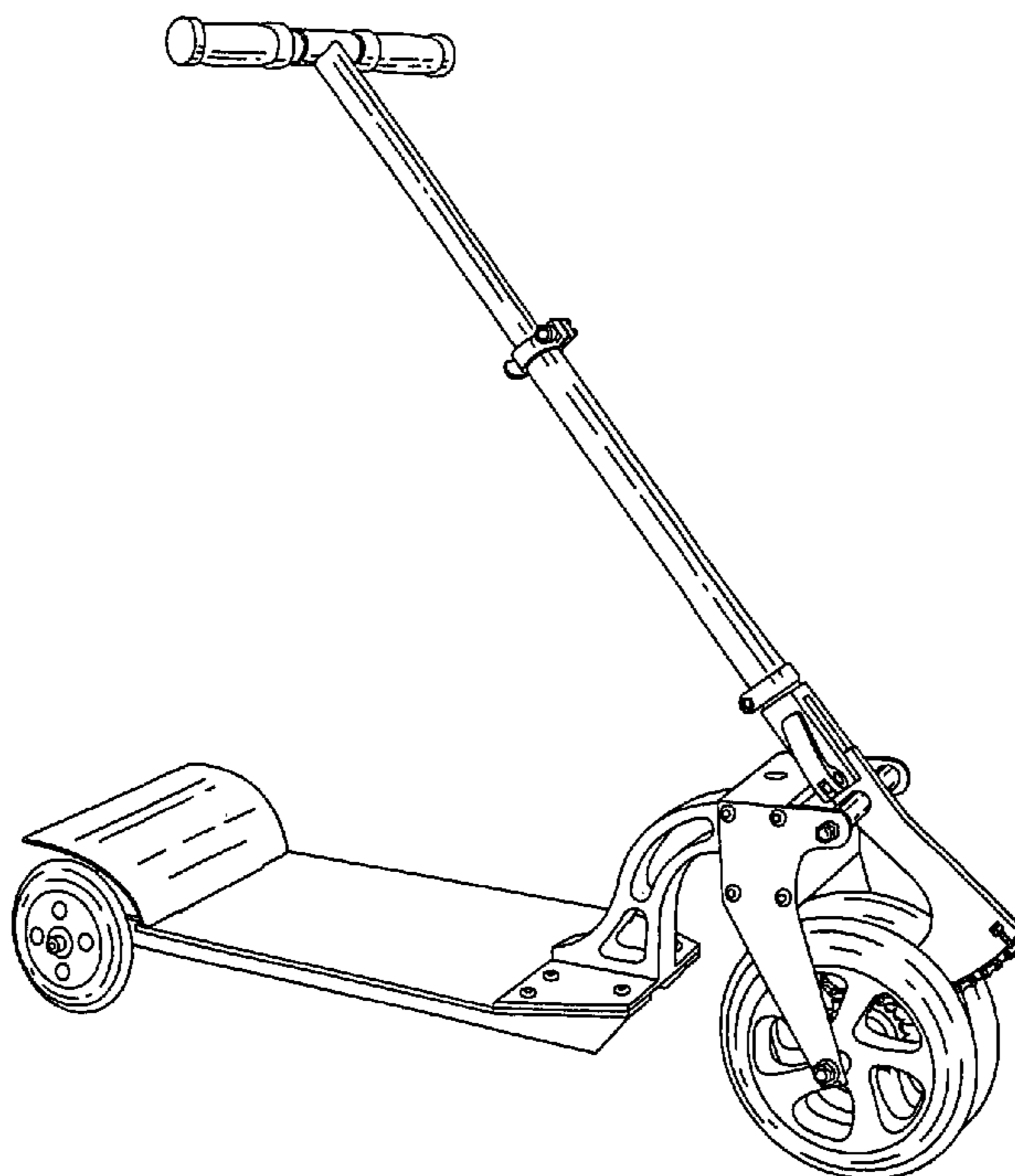
FIG. 4 is a front elevational view thereof;

FIG. 5 is a rear elevational view thereof;

FIG. 6 is a top plan view thereof; and,

FIG. 7 is a bottom plan view thereof.

1 Claim, 7 Drawing Sheets



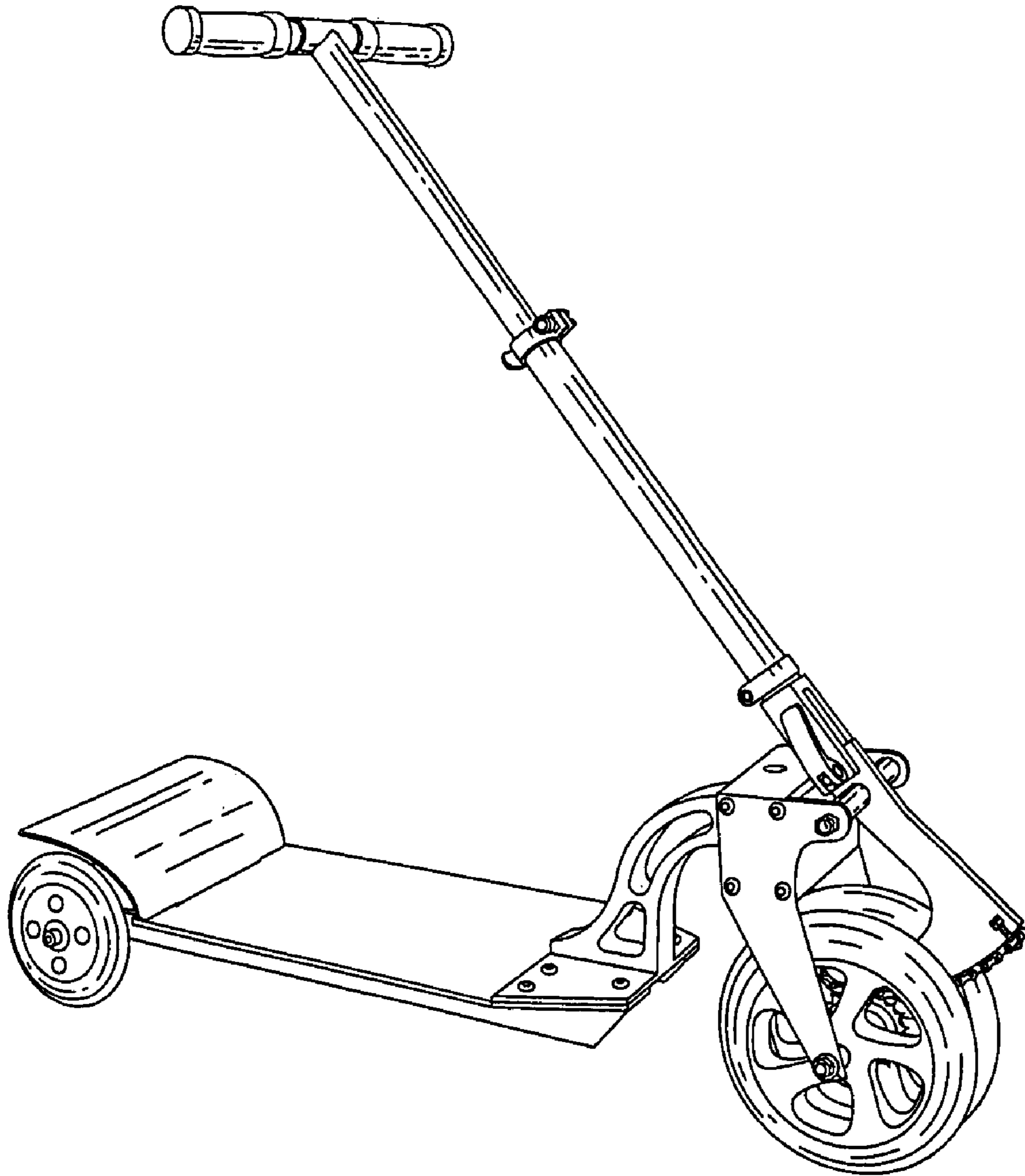


FIG. 1

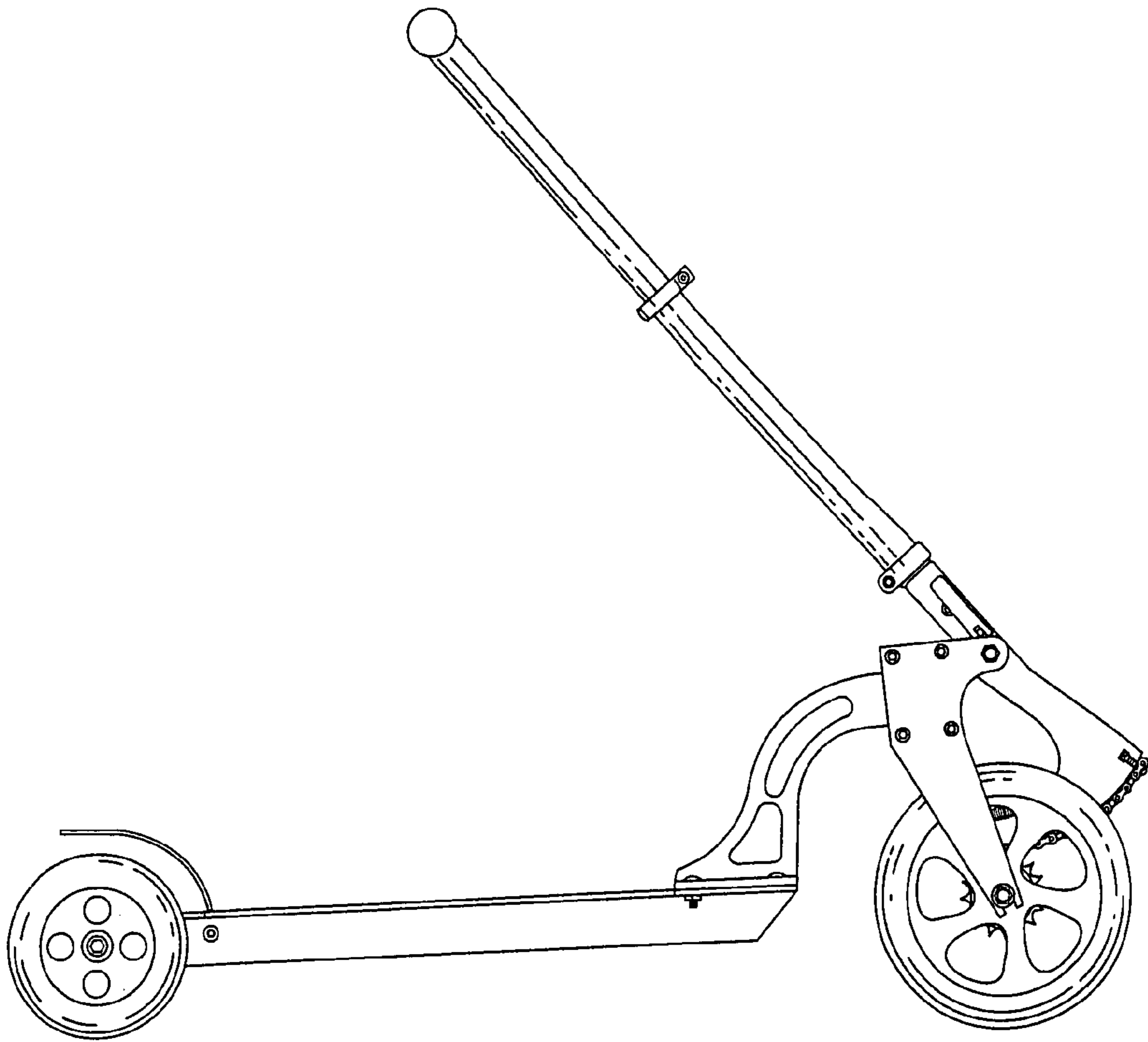


FIG. 2

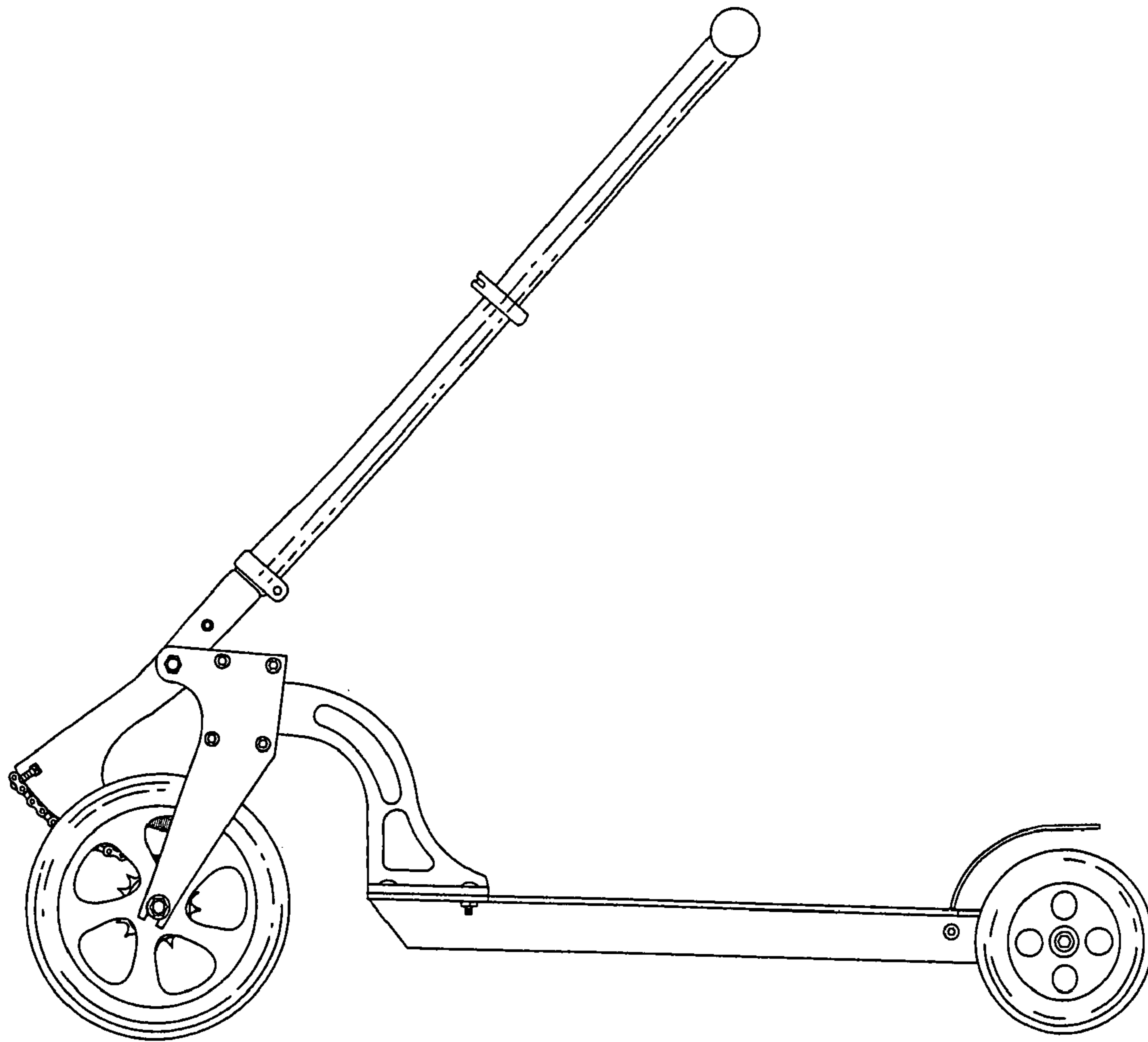


FIG. 3

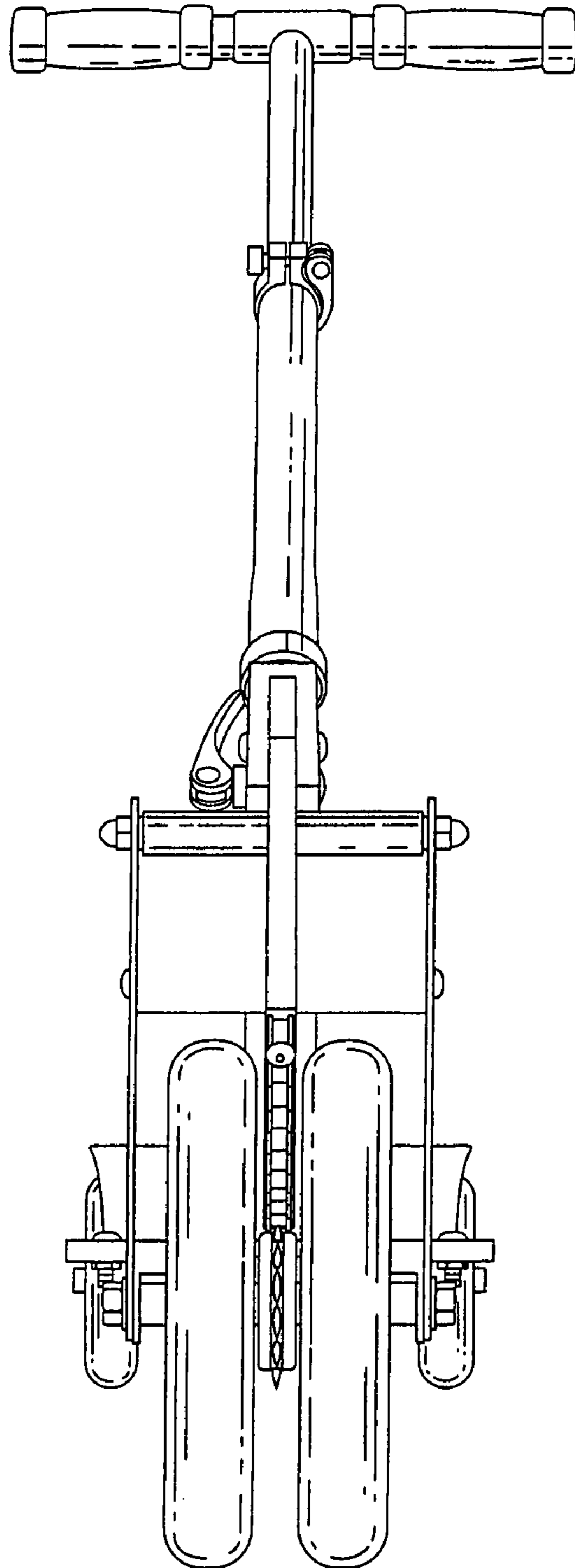


FIG. 4

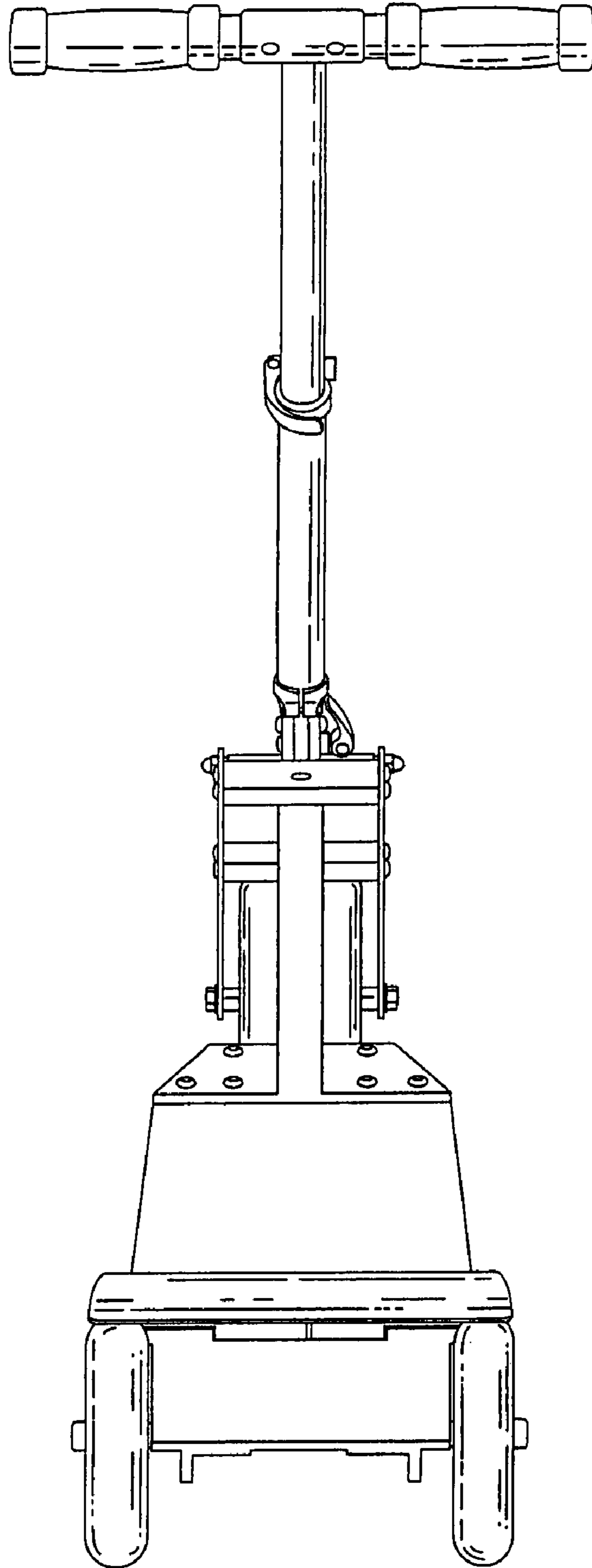


FIG. 5

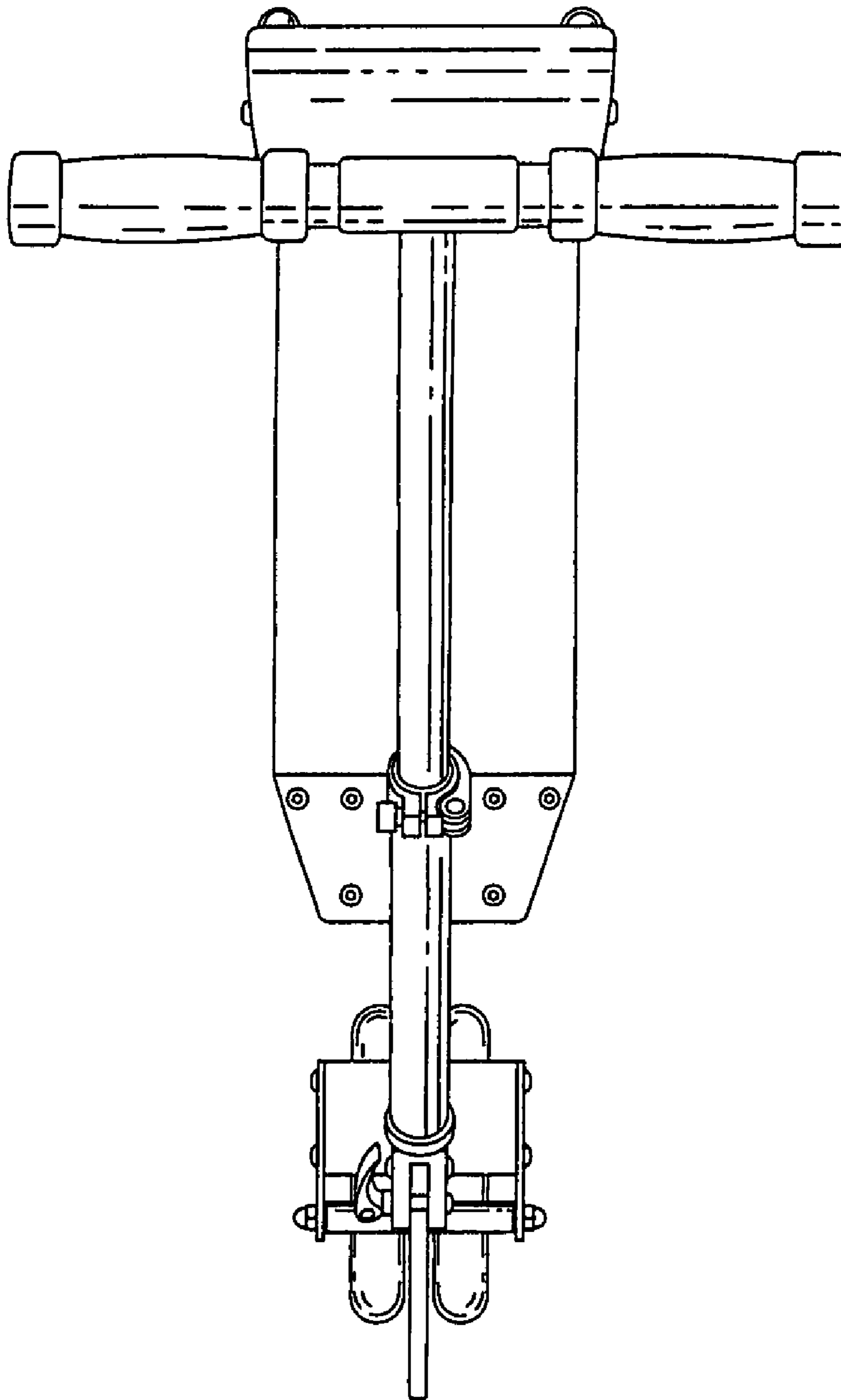


FIG. 6

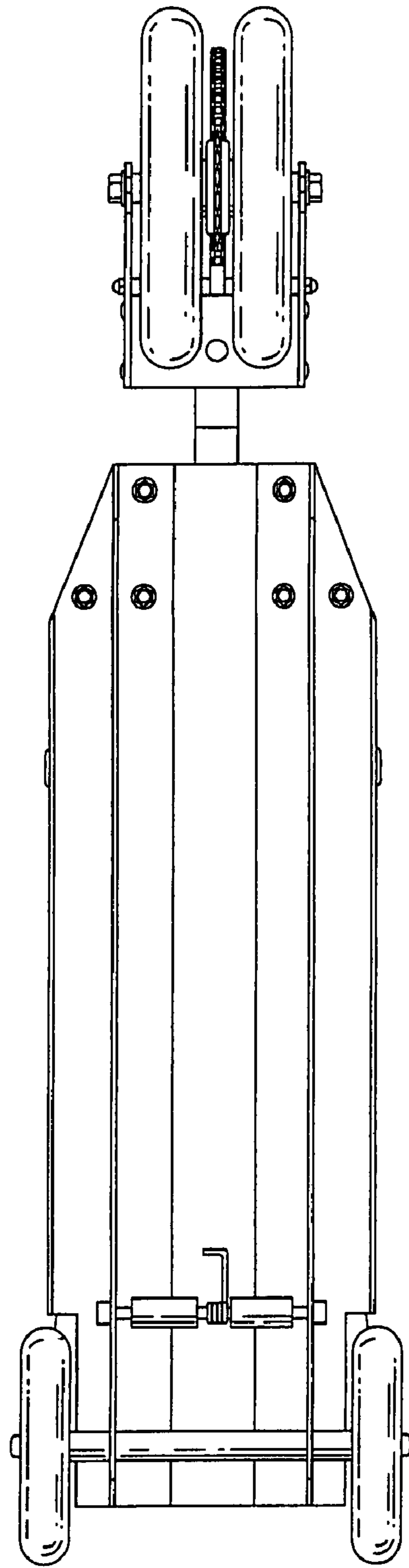


FIG. 7