



US00D569446S

(12) **United States Design Patent** (10) **Patent No.:** **US D569,446 S**
VanElverdinghe (45) **Date of Patent:** **** May 20, 2008**

(54) **TEETER TOTTER**

(76) Inventor: **Jeffry L. VanElverdinghe**, 4537 SW.
164th Pl., Beaverton, OR (US) 97007

(**) Term: **14 Years**

(21) Appl. No.: **29/278,149**

(22) Filed: **Mar. 20, 2007**

(51) **LOC (8) Cl.** **21-01**

(52) **U.S. Cl.** **D21/412**

(58) **Field of Classification Search** D21/412-435,
D21/814-833; 472/1-47, 95-115, 120
See application file for complete search history.

3,836,140 A 9/1974 Ahrens
 3,968,962 A 7/1976 Atkins et al.
 4,046,375 A 9/1977 Lelong
 4,226,411 A 10/1980 Manus
 D261,792 S 11/1981 Ament et al.
 4,341,377 A 7/1982 Ahrens
 D270,558 S 9/1983 Fuller
 4,896,877 A 1/1990 Moomaw et al.
 D312,293 S 11/1990 Wehmeyer
 4,982,949 A 1/1991 Ulferts
 D334,611 S 4/1993 Mariol
 5,505,664 A 4/1996 Nolan et al.
 D377,512 S 1/1997 Lenihan
 5,951,406 A 9/1999 Steane
 6,712,709 B1 3/2004 Henderson et al.
 D512,746 S 12/2005 Habing et al.
 D512,747 S 12/2005 Habing
 2004/0063507 A1 4/2004 Henderson et al.
 2006/0128482 A1 6/2006 Habing
 2006/0160630 A1 7/2006 McGrath

(56) **References Cited**

U.S. PATENT DOCUMENTS

1,014,249 A 1/1912 Ney
 1,254,174 A 1/1918 Thebert
 1,896,796 A 2/1933 Lahey
 2,104,442 A * 1/1938 Szabo 472/5
 2,109,897 A 3/1938 Braunschweig
 2,252,008 A 8/1941 Joncas
 D146,168 S * 1/1947 Buczkowski D21/412
 D148,889 S * 3/1948 Sebel D21/830
 D149,407 S * 4/1948 Evans D21/830
 2,488,889 A * 11/1949 Allie 472/112
 2,558,431 A 6/1951 Grover
 2,560,703 A * 7/1951 Sebel 472/23
 D168,011 S * 10/1952 Wyman et al. D21/830
 2,809,036 A 10/1957 Melxsell
 2,835,491 A 5/1958 Meyers
 D189,670 S * 1/1961 Williams et al. D21/412
 3,107,913 A * 10/1963 Rouse 472/4
 3,151,864 A * 10/1964 Sandusky 472/114
 3,199,868 A 8/1965 Motyka
 3,210,075 A 10/1965 Brookman et al.
 3,339,919 A 9/1967 Jones
 3,675,919 A 7/1972 Ewers

* cited by examiner

Primary Examiner—Catherine Tuttle
 (74) *Attorney, Agent, or Firm*—Joseph P. Curtin, L.L.C.

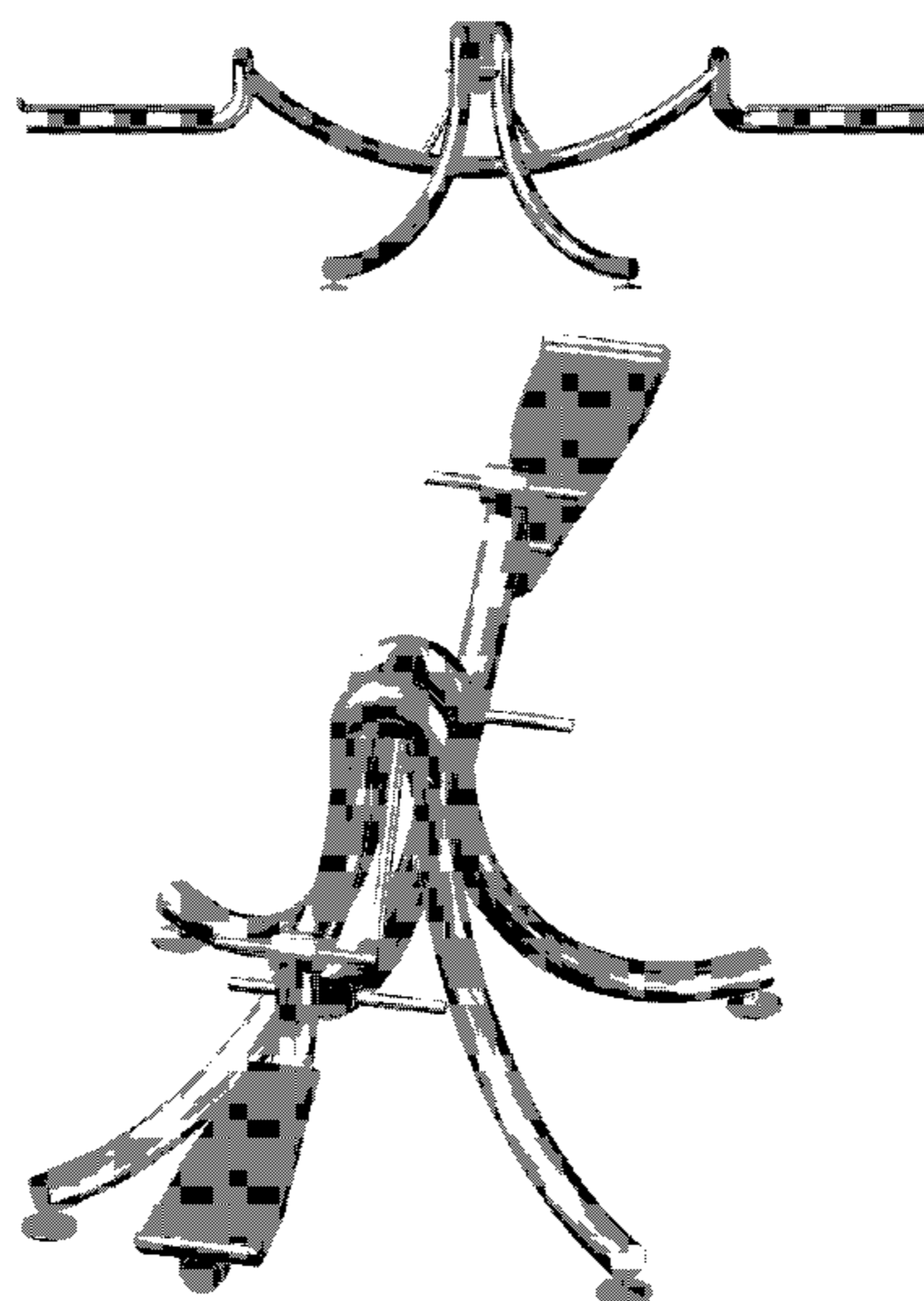
(57) **CLAIM**

The ornamental design for a teeter totter, shown and described.

DESCRIPTION

FIG. 1 is a front view of a teeter totter showing my new design;
 FIG. 2 is an enlarged end view thereof;
 FIG. 3 is a top view on a scale similar to FIG. 1; and,
 FIG. 4 is an isometric view on a scale that is enlarged with respect to FIGS. 1 and 2.

1 Claim, 4 Drawing Sheets



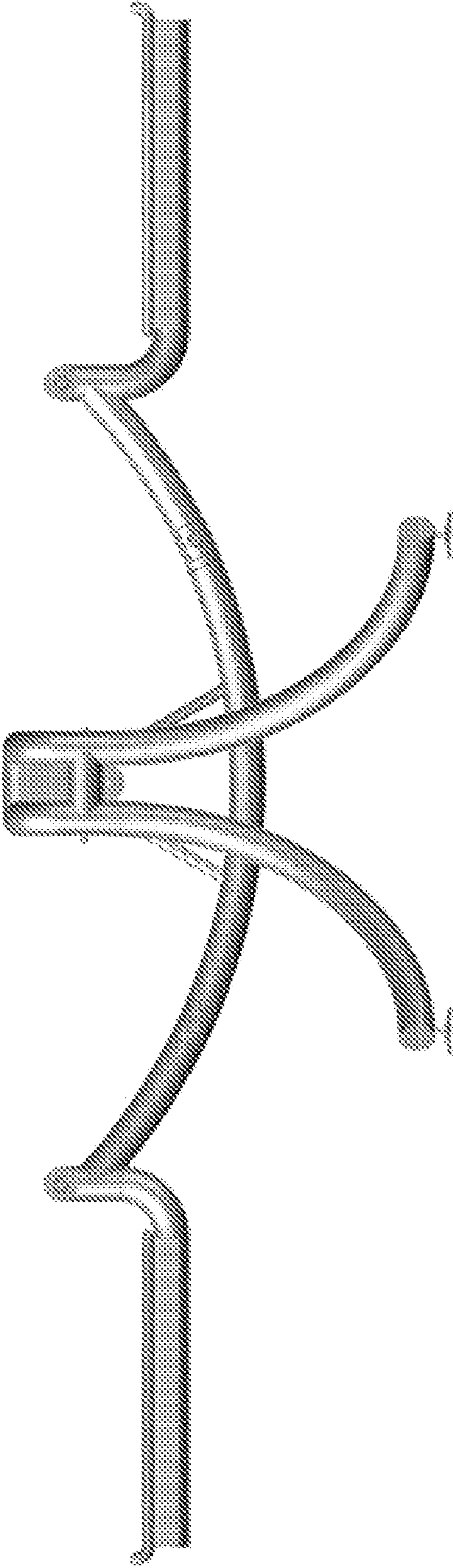


FIG. 1

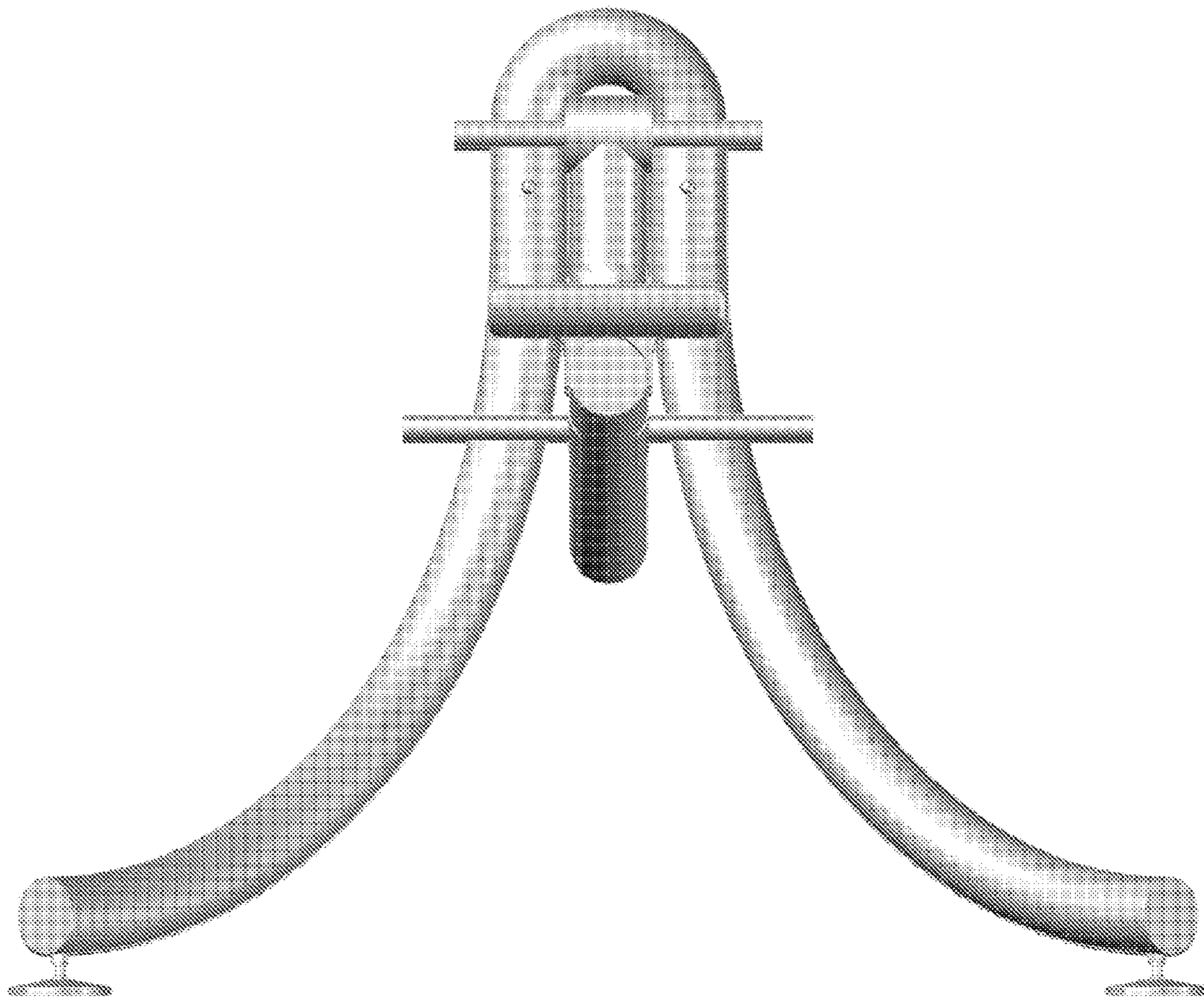


FIG. 2

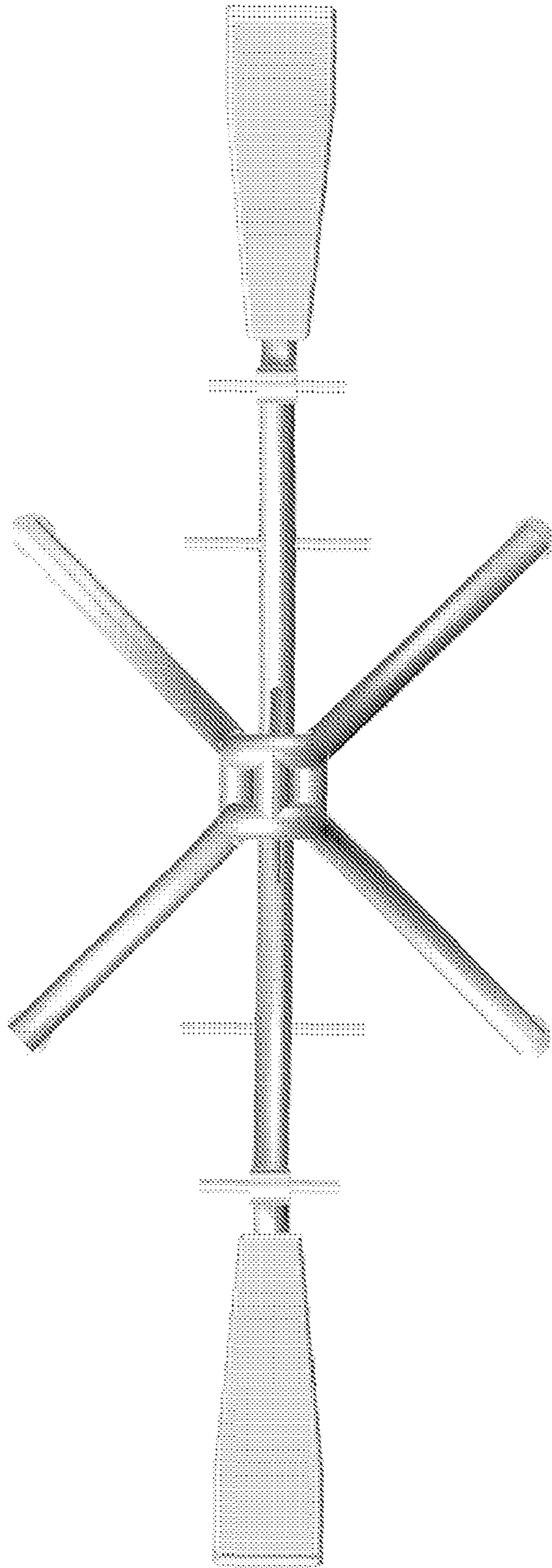


FIG. 3

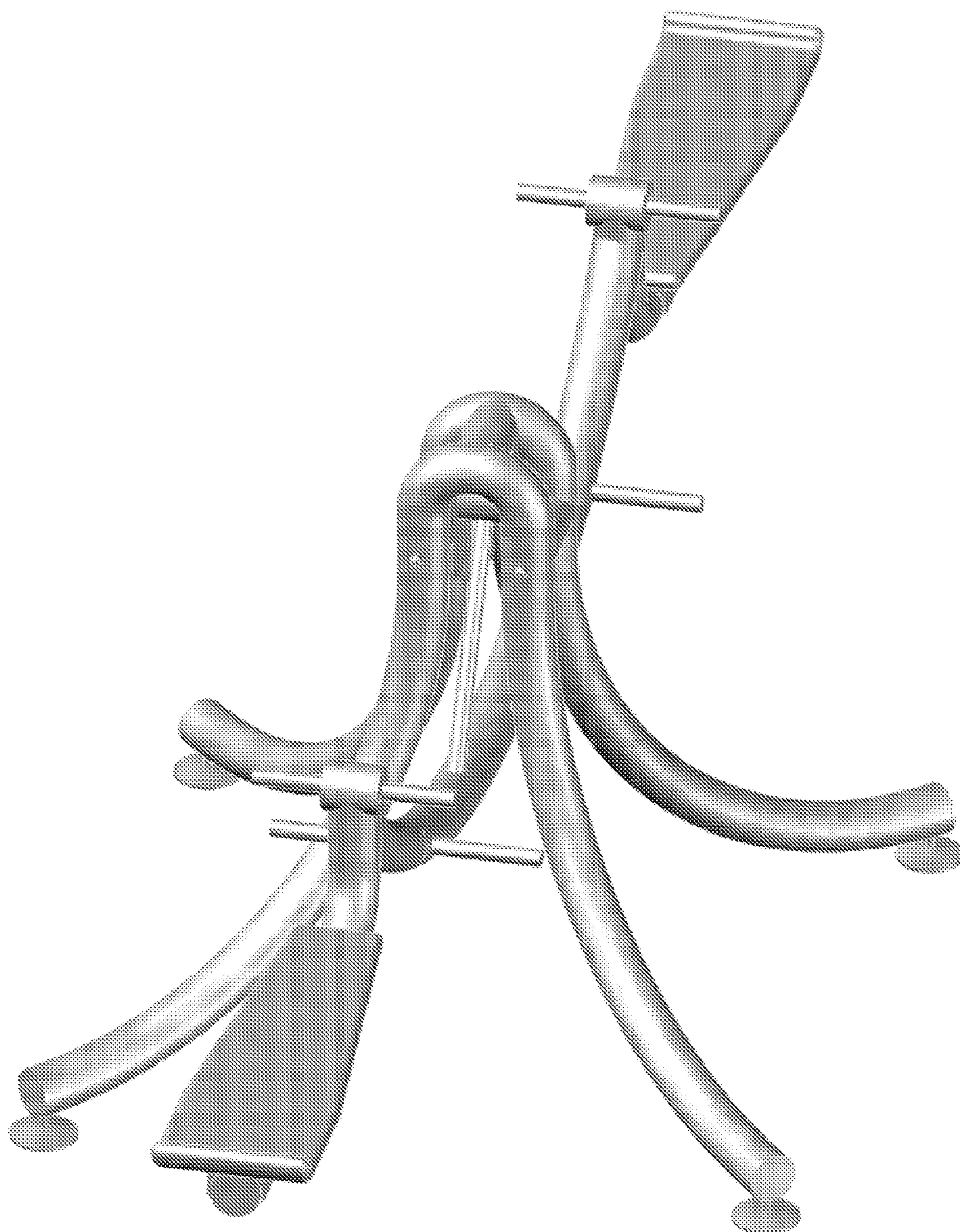


FIG. 4