

US00D569444S

(12) **United States Design Patent**
Moore

(10) **Patent No.:** **US D569,444 S**

(45) **Date of Patent:** **** May 20, 2008**

(54) **NOISE MAKER**

(75) **Inventor:** **Terry P. Moore**, Newtown Square, PA (US)

(73) **Assignee:** **Uniqueko LLC**, Newtown Square, PA (US)

(**) **Term:** **14 Years**

(21) **Appl. No.:** **29/296,911**

(22) **Filed:** **Oct. 31, 2007**

Related U.S. Application Data

(63) Continuation-in-part of application No. 29/224,018, filed on Feb. 23, 2005.

(51) **LOC (8) Cl.** **21-01**

(52) **U.S. Cl.** **D21/405**

(58) **Field of Classification Search** D21/405-408, D21/466; D17/22, 99; 446/418-422; 84/402-420
See application file for complete search history.

(56) **References Cited**

U.S. PATENT DOCUMENTS

479,636	A *	7/1892	Droop	84/422.1
823,713	A *	6/1906	Chein	446/422
1,562,721	A *	11/1925	Pierce	446/252
2,066,799	A *	1/1937	Reynolds	273/329
2,105,379	A *	1/1938	Smith	273/329
2,159,817	A *	5/1939	Pierce	446/421
2,280,582	A *	4/1942	Hoeflich	156/253

2,326,305	A *	8/1943	Morarre	84/411 R
4,045,264	A *	8/1977	Ludwig et al.	156/63
4,266,459	A *	5/1981	Seregely	84/402
5,177,310	A *	1/1993	Davies	84/404
5,217,222	A *	6/1993	Rudell et al.	473/528
D337,621	S *	7/1993	Wong	D21/466
D339,602	S *	9/1993	Davies	D17/22
6,613,970	B2 *	9/2003	Davies	84/402

* cited by examiner

Primary Examiner—Catherine Tuttle

(74) *Attorney, Agent, or Firm*—Fish & Richardson P.C.; Richard C. Weinblatt

(57) **CLAIM**

The ornamental design for a noise maker, as shown and described.

DESCRIPTION

FIG. 1 is a rear perspective view of the noise maker.

FIG. 2 is a rear view of the noise maker of FIG. 1.

FIG. 3 is a front view of the noise maker of FIG. 1.

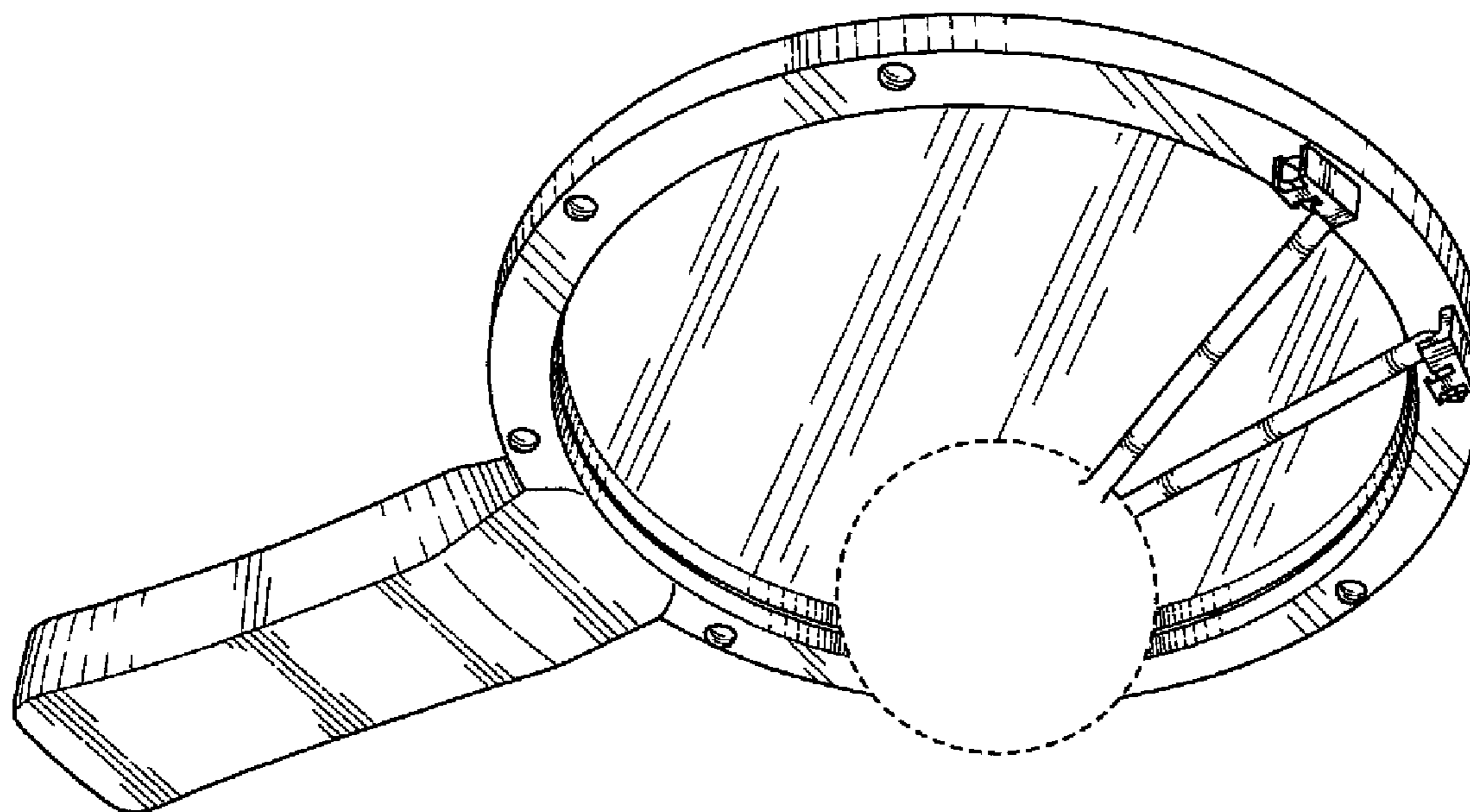
FIG. 4 is a right-side view of the noise maker of FIG. 1, the left-side view being a mirror image thereof.

FIG. 5 is a top view of the noise maker of FIG. 1; and,

FIG. 6 is a bottom view of the noise maker of FIG. 1.

The broken lines are included for the purpose of illustrating a portion of the noise maker that forms no part of the claimed design.

1 Claim, 5 Drawing Sheets



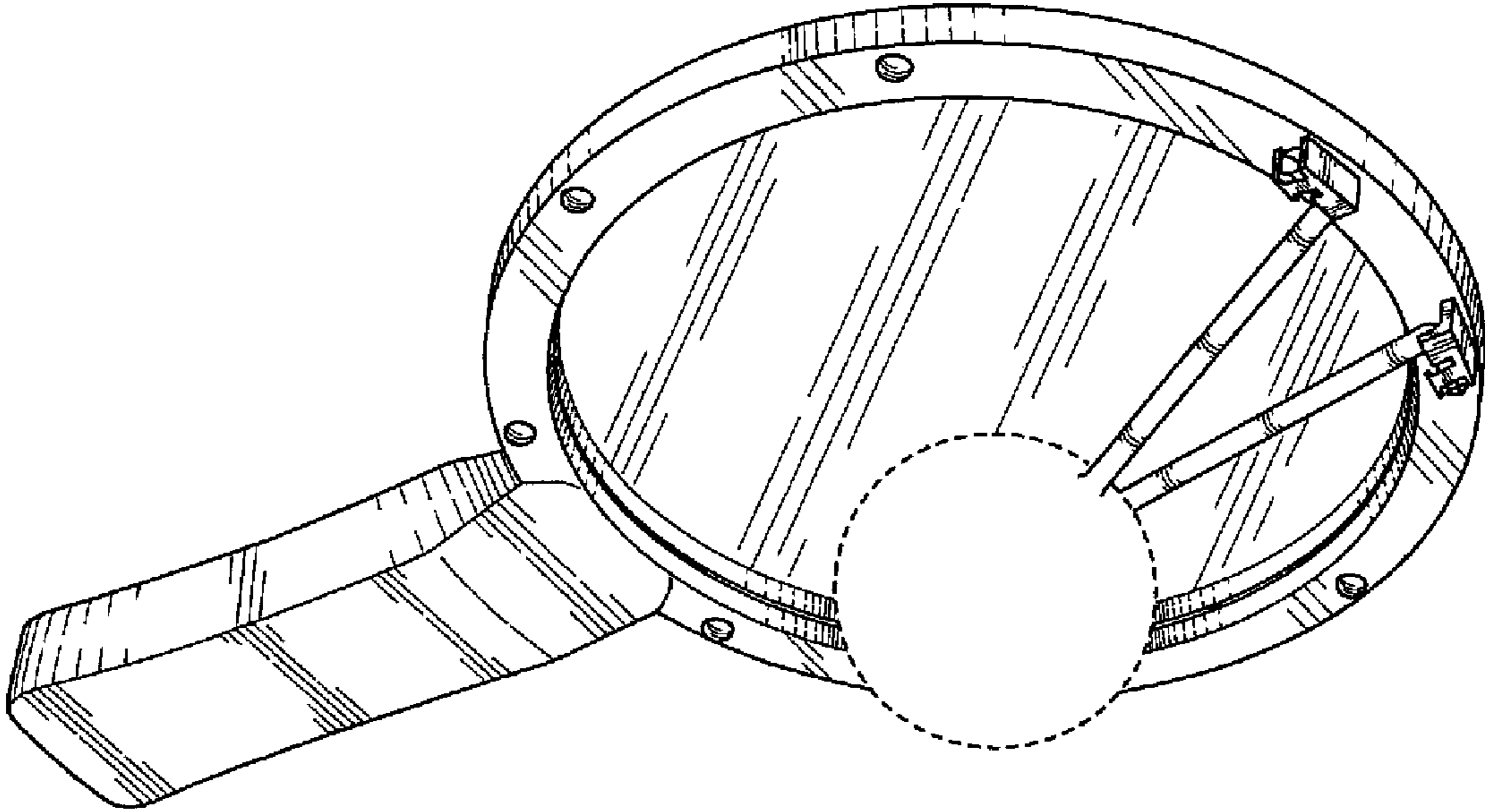


FIG. 1

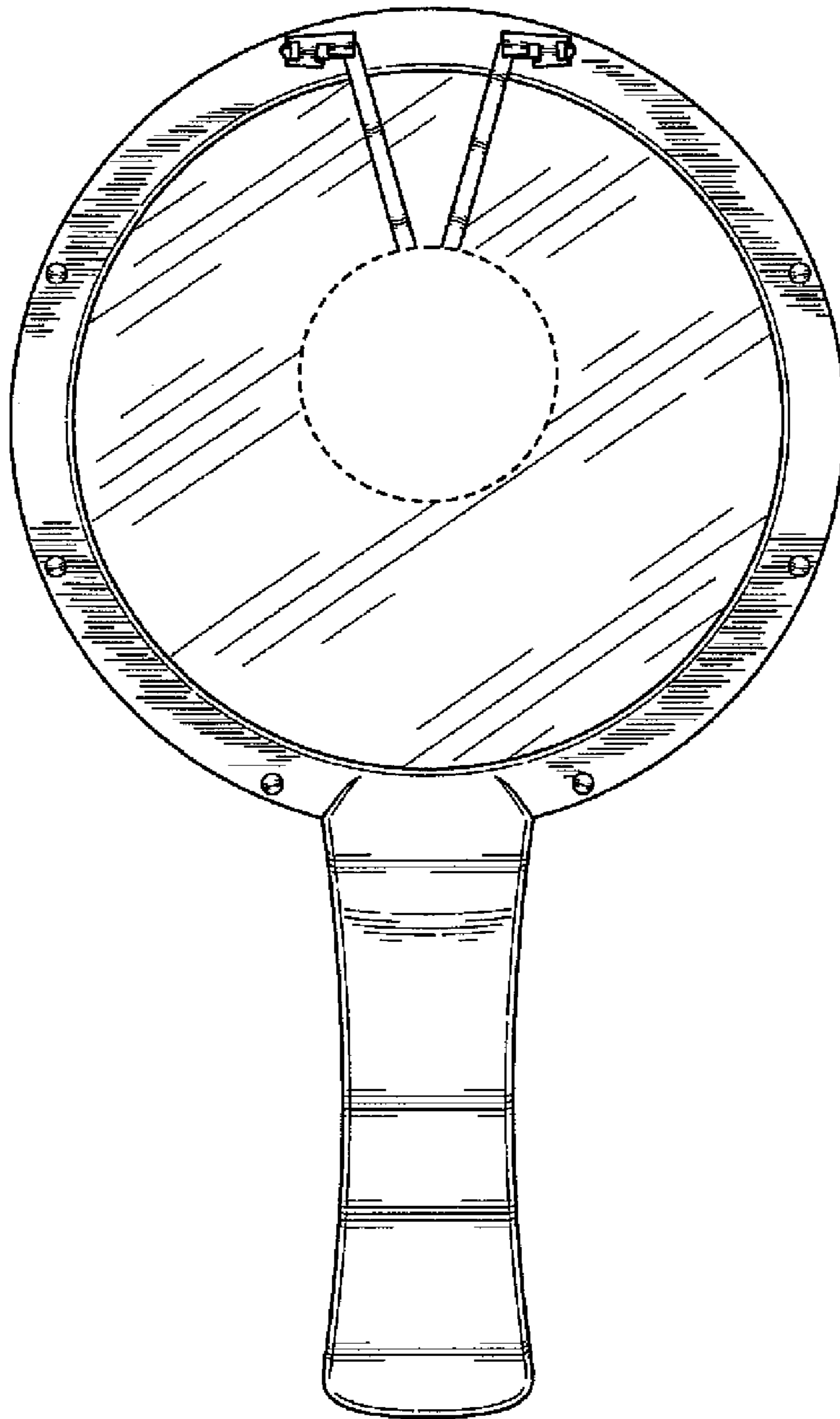


FIG. 2

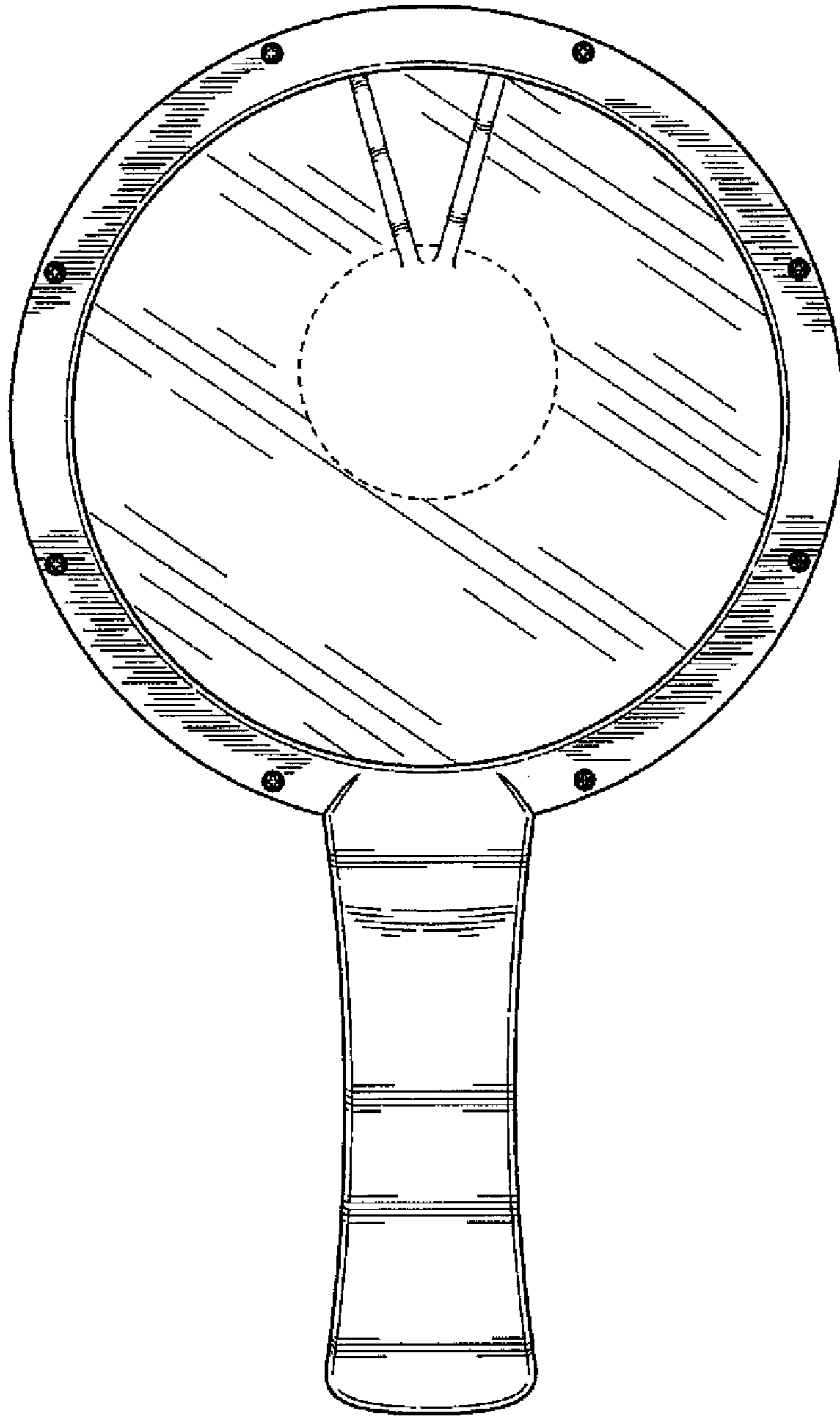


FIG. 3

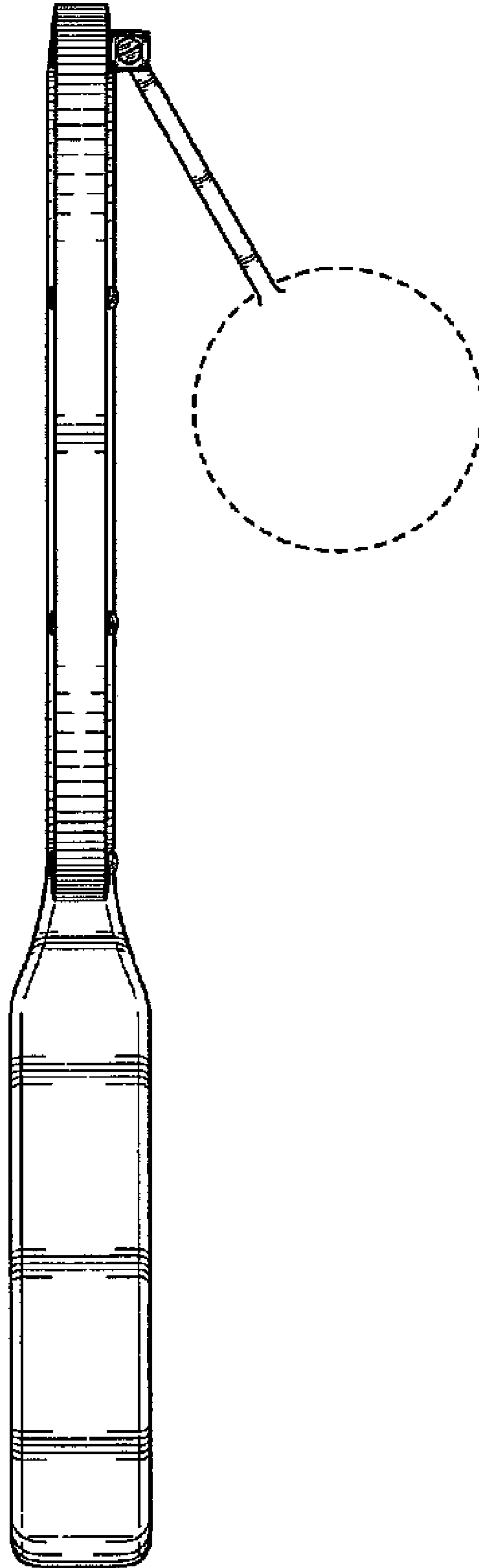


FIG. 4

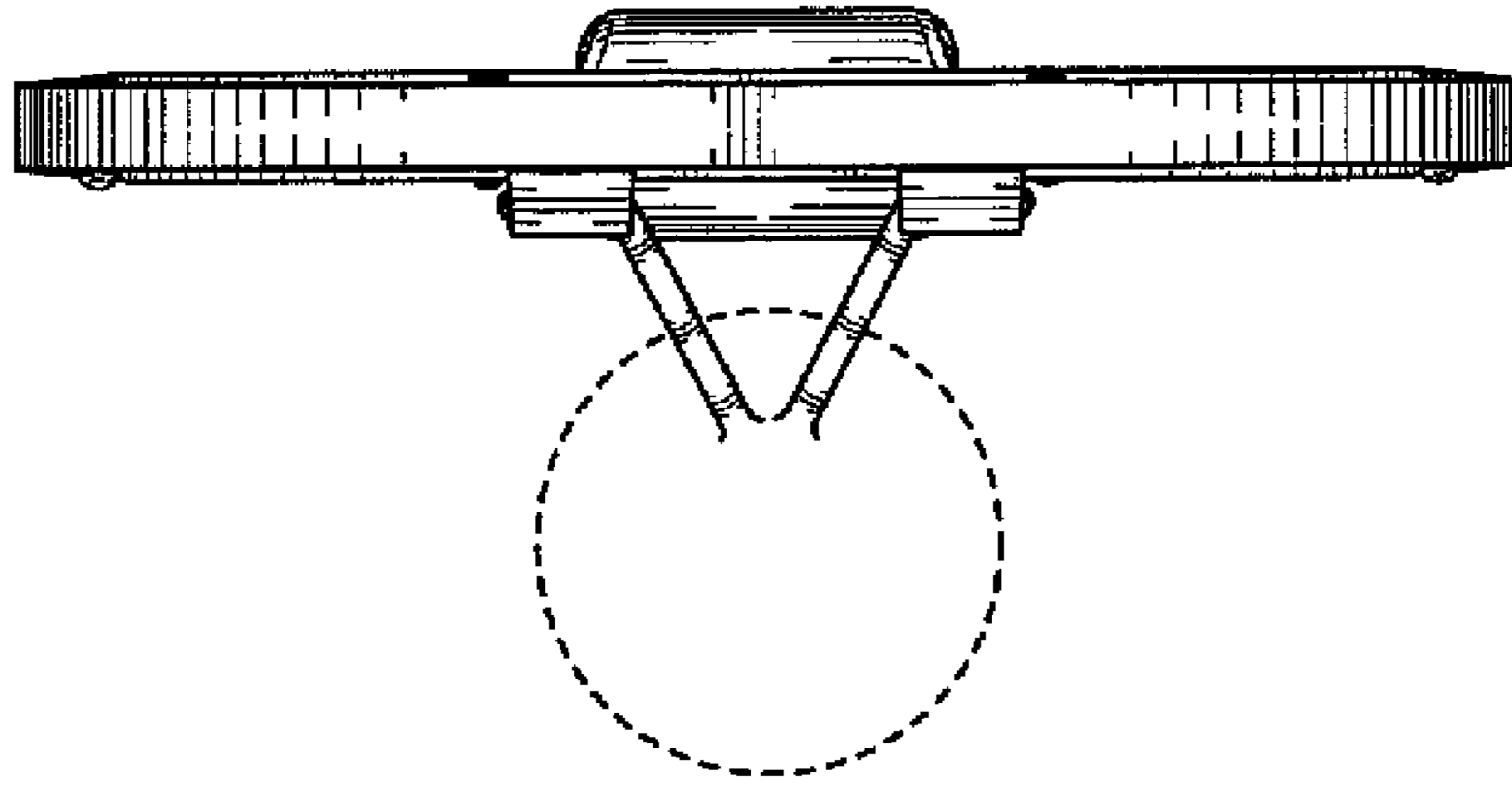


FIG. 5

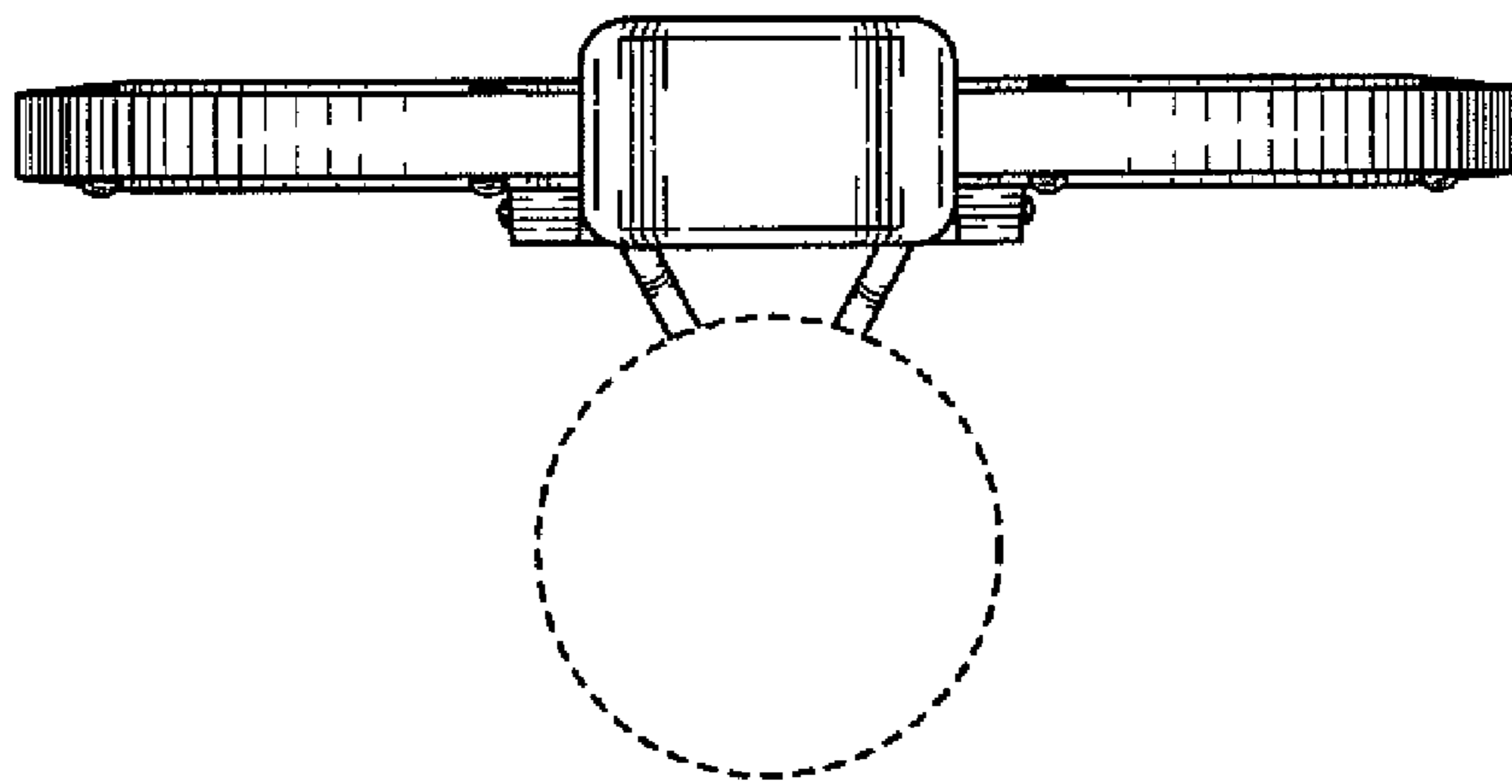


FIG. 6