



US00D569442S

(12) **United States Design Patent**
Sato et al.

(10) **Patent No.:** **US D569,442 S**
(45) **Date of Patent:** **** May 20, 2008**

(54) **GAME DEVICE**

(75) Inventors: **Takahide Sato**, Tokyo (JP); **Naoki Arikawa**, Tokyo (JP)

(73) Assignee: **Kabushiki Kaisha Sega**, Tokyo (JP)

(**) Term: **14 Years**

(21) Appl. No.: **29/287,634**

(22) Filed: **Aug. 30, 2007**

(51) **LOC (8) Cl.** **21-01**

(52) **U.S. Cl.** **D21/325**

(58) **Field of Classification Search** D21/324–328, D21/333, 385, 453, 573, 574; D14/418, D14/432; 273/317, 317.1, 348, 349, 148 B, 273/355, 459–461, 356, 407; 463/1–5, 46, 463/47, 47.2, 49, 51; 434/16, 18–20, 24
See application file for complete search history.

(56) **References Cited**

U.S. PATENT DOCUMENTS

- 5,584,763 A * 12/1996 Kelly et al. 463/16
- 5,713,794 A * 2/1998 Shimojima et al. 463/36
- D399,881 S * 10/1998 Muraki et al. D21/325
- D411,258 S * 6/1999 Isetani et al. D21/328
- D457,570 S * 5/2002 Brinson D21/325
- 6,739,974 B2 * 5/2004 Kanno et al. 463/36

- D544,043 S * 6/2007 Yamanaka et al. D21/325
- D546,893 S * 7/2007 Yamashita D21/325
- D548,287 S * 8/2007 Yamanaka et al. D21/325

* cited by examiner

Primary Examiner—Prabhakar Deshmukh

(74) *Attorney, Agent, or Firm*—Dickstein Shapiro LLP

(57) **CLAIM**

The ornamental design for a game device, as shown and described.

DESCRIPTION

FIG. 1 is a front, top and right side perspective view of our new design for a game device;

FIG. 2 is a front elevational view of the game device of FIG. 1;

FIG. 3 is a rear elevational view of the game device of FIG. 1;

FIG. 4 is a top plan view of the game device of FIG. 1;

FIG. 5 is a bottom plan view of the game device of FIG. 1;

FIG. 6 is a right side elevational view of the game device of FIG. 1; and,

FIG. 7 is a left side elevational view of the game device of FIG. 1.

1 Claim, 7 Drawing Sheets

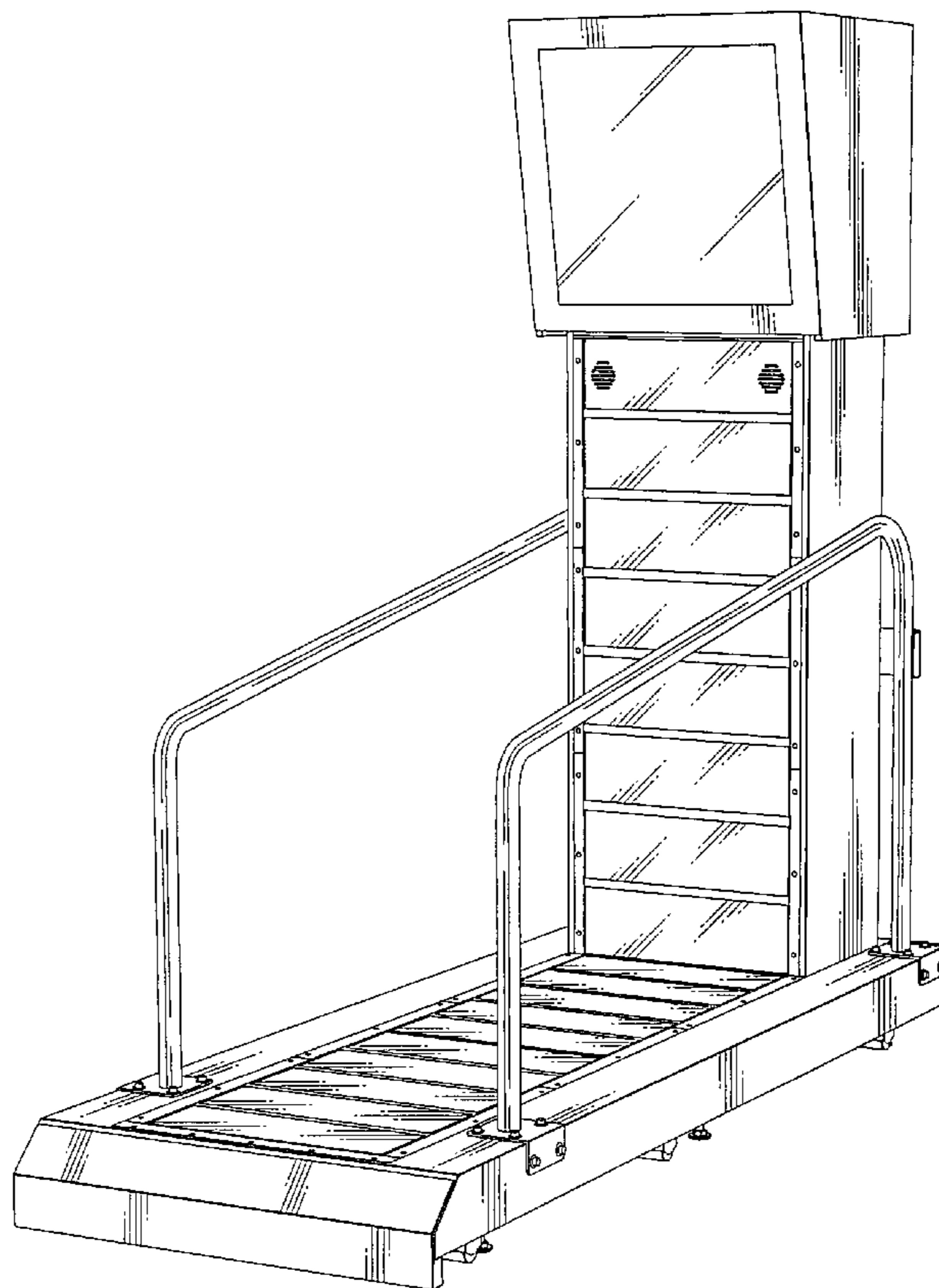


FIG.1

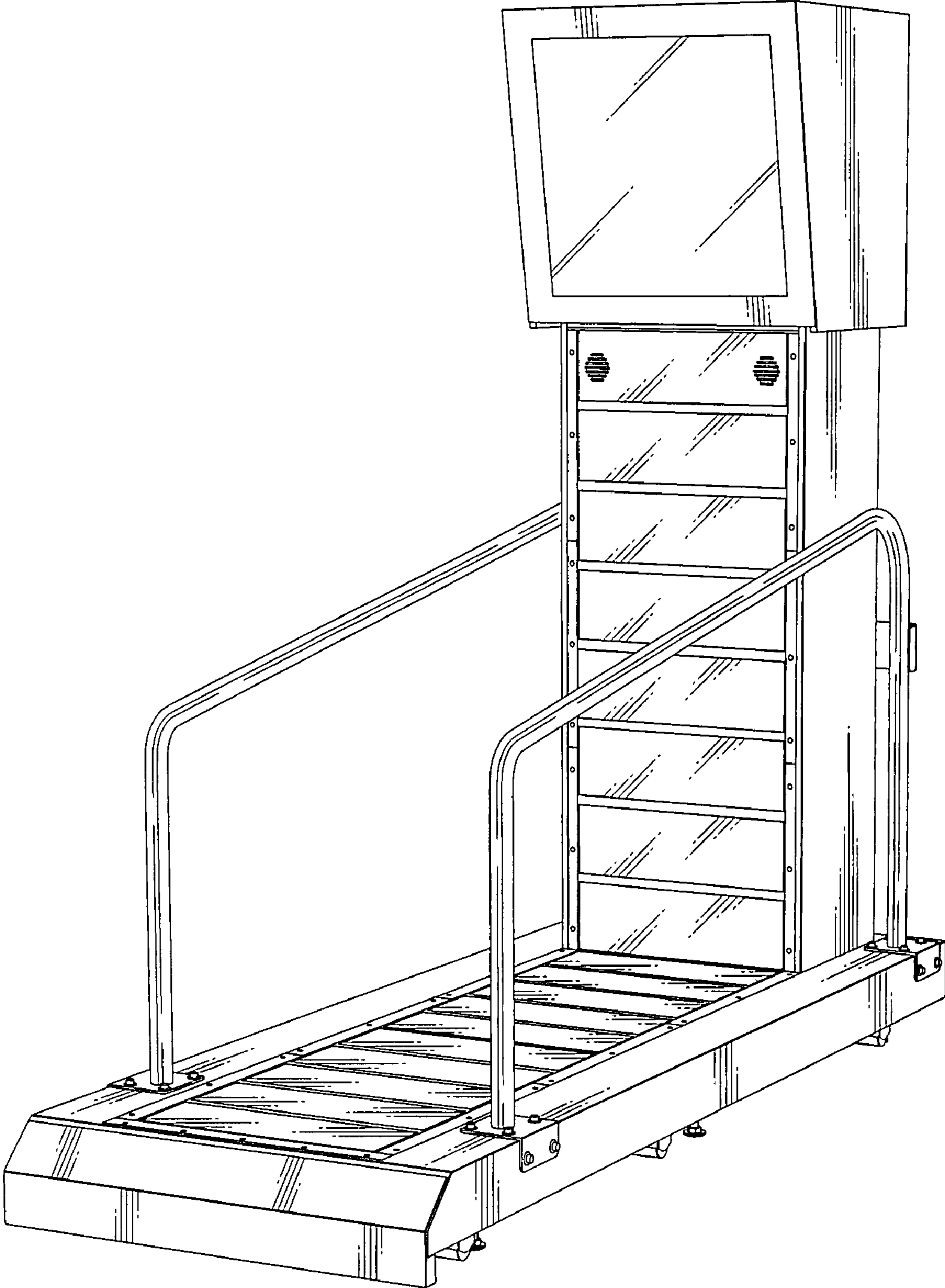


FIG.2

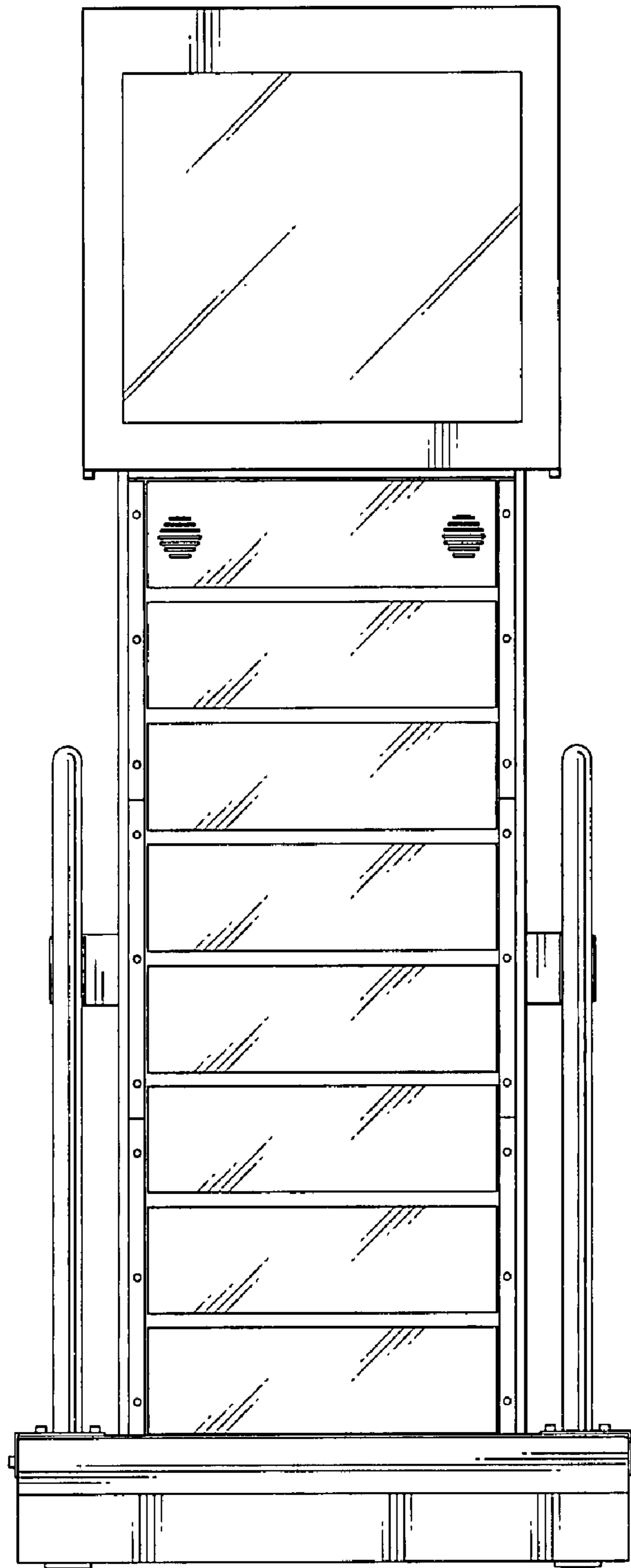


FIG.3

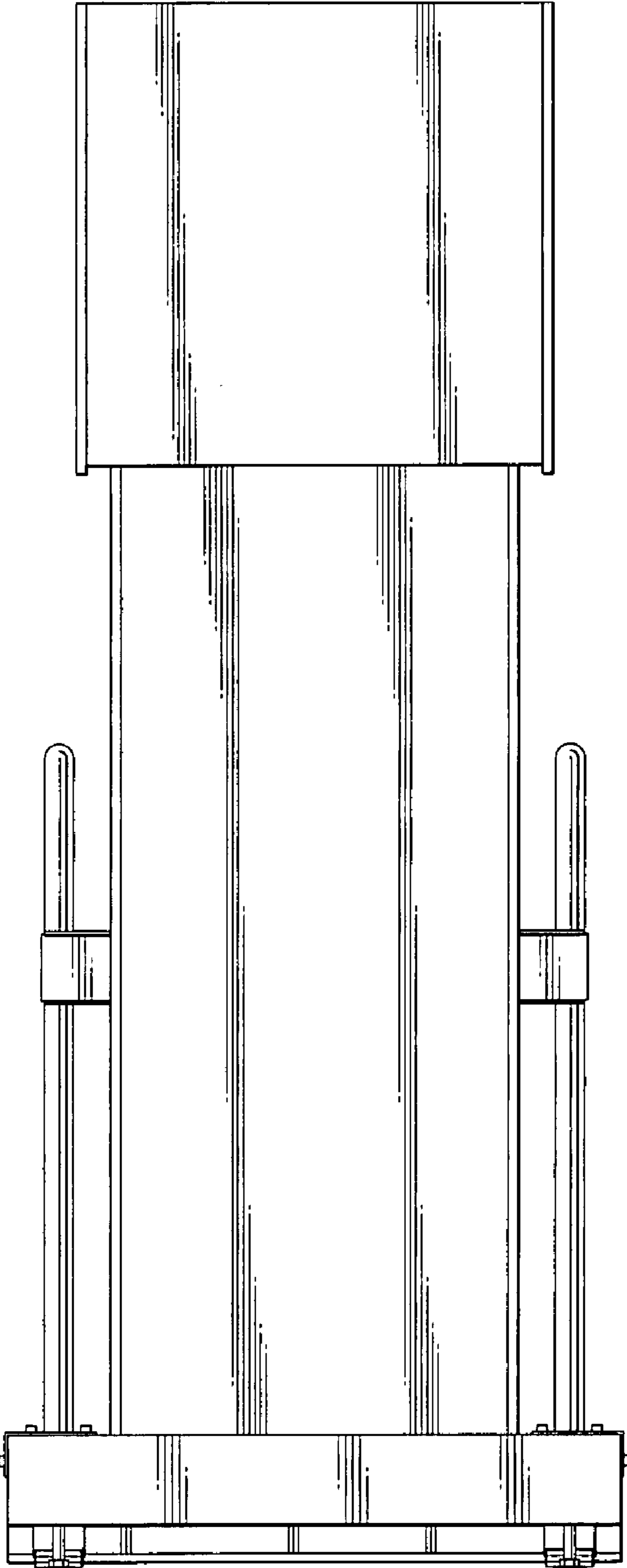


FIG.4

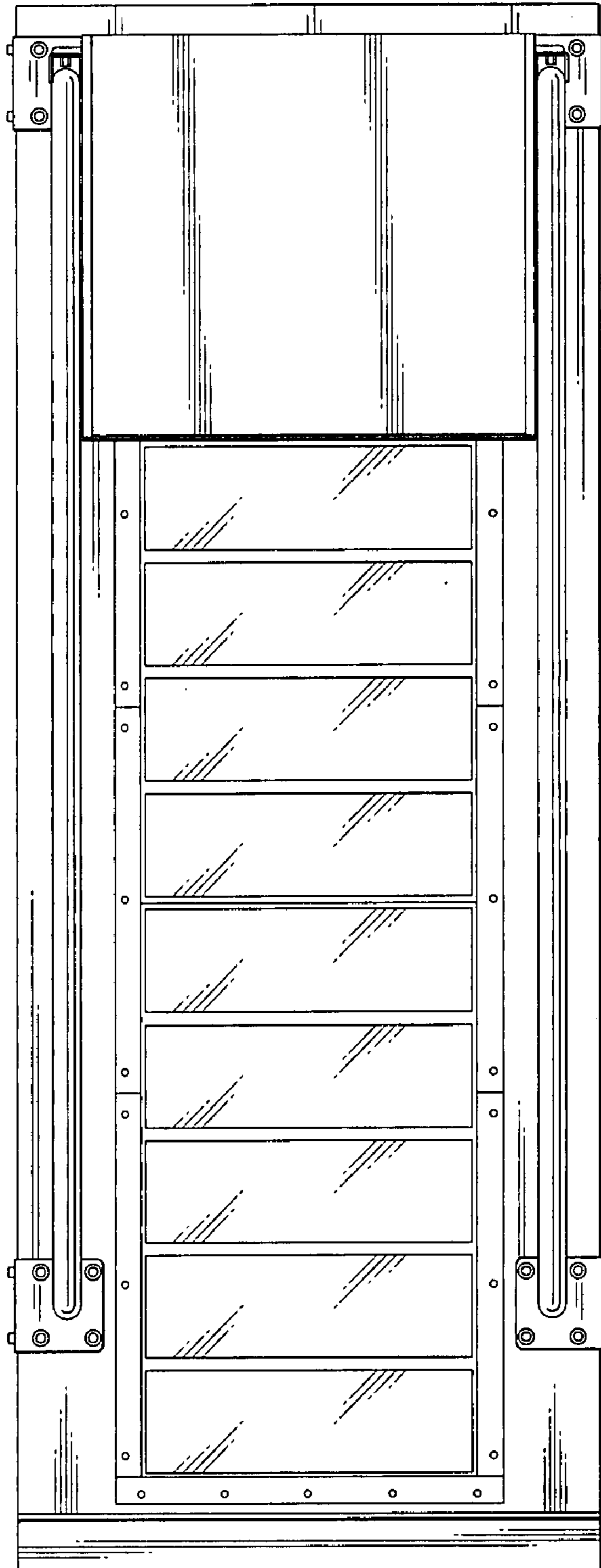
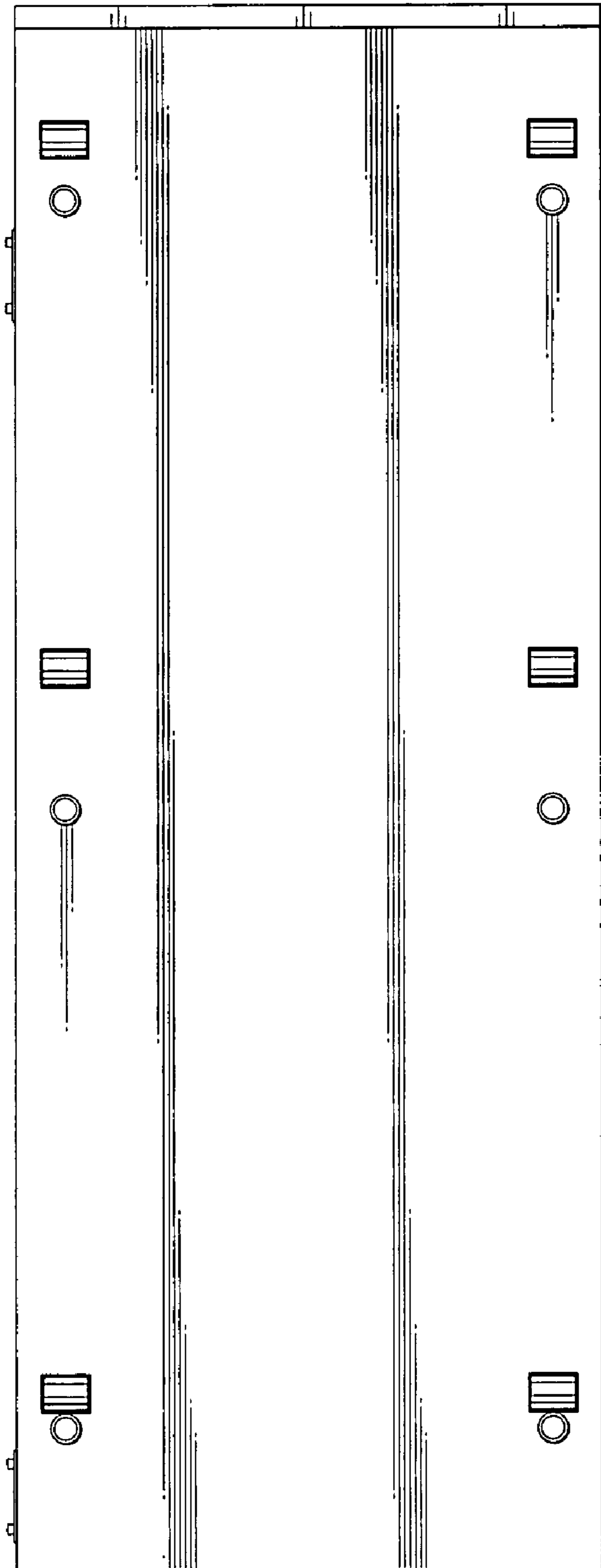


FIG.5



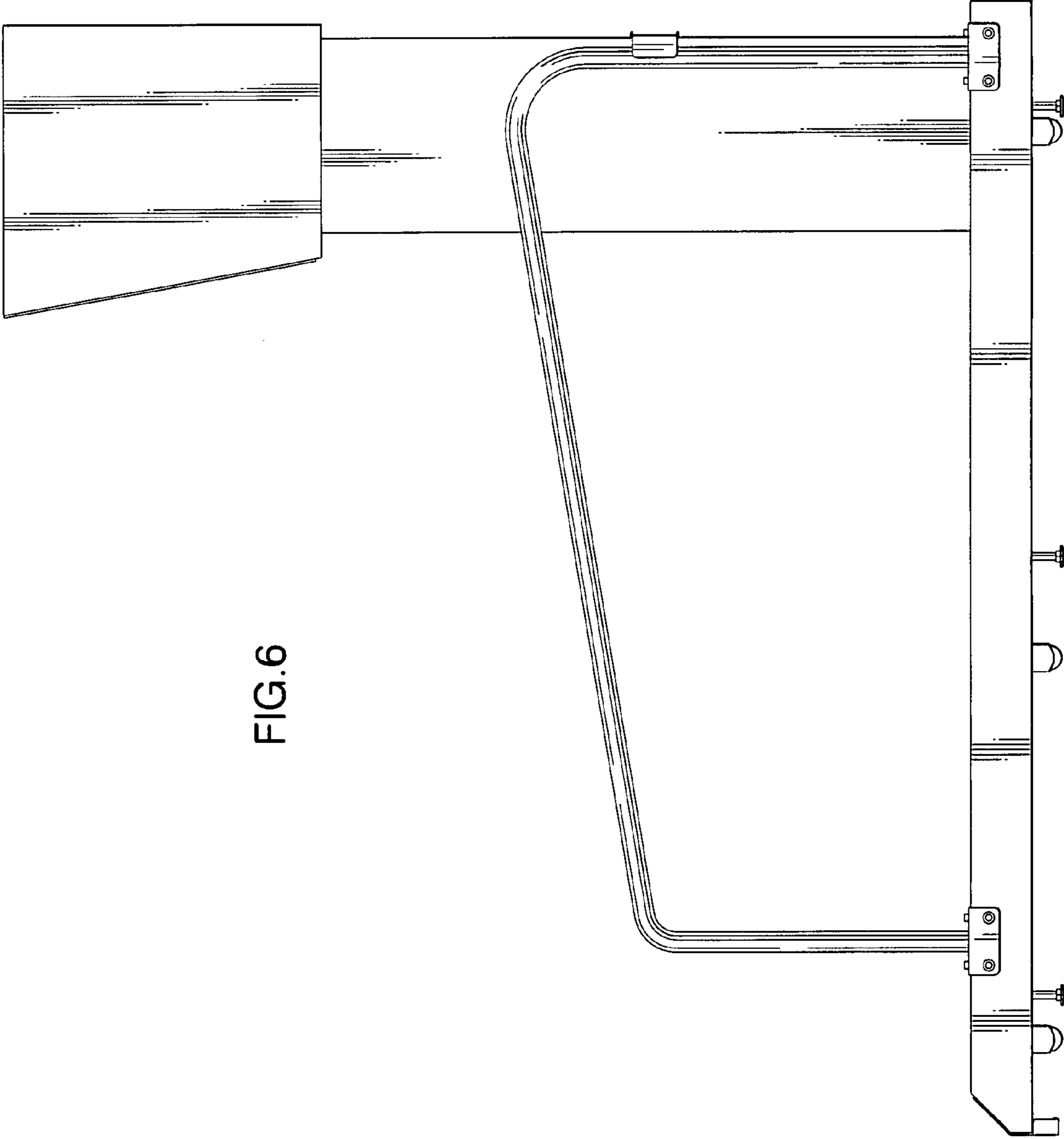


FIG.6

FIG.7

