

US00D569438S

(12) **United States Design Patent**
Bhavnani

(10) **Patent No.:** **US D569,438 S**

(45) **Date of Patent:** **** May 20, 2008**

(54) **PEN CAP AND CLIP**

(75) Inventor: **Dilip Bhavnani**, Beverly Hills, CA
(US)

(73) Assignee: **Sun Coast Merchandise Corporation**,
Commerce, CA (US)

(**) Term: **14 Years**

(21) Appl. No.: **29/284,102**

(22) Filed: **Aug. 30, 2007**

Related U.S. Application Data

(62) Division of application No. 29/283,161, filed on Aug.
7, 2007.

(51) **LOC (8) Cl.** **19-06**

(52) **U.S. Cl.** **D19/57**

(58) **Field of Classification Search** D19/35,
D19/36, 41-51, 53-57; 24/11 F, 11 P, 11 R;
401/52, 99, 100, 104-109, 192, 195, 196
See application file for complete search history.

(56) **References Cited**

U.S. PATENT DOCUMENTS

D312,096 S *	11/1990	Vitrac	D19/51
D325,931 S *	5/1992	Sekiguchi	D19/43
D330,911 S *	11/1992	Tu	D19/51
D331,070 S *	11/1992	Hu Huang	D19/43
D336,923 S *	6/1993	Lin	D19/57
D355,442 S *	2/1995	Chuang	D19/53
D366,901 S *	2/1996	Takahashi	D19/51
D384,105 S *	9/1997	Robert et al.	D19/57
5,897,266 A *	4/1999	Robert	401/202
D423,576 S *	4/2000	Stevens et al.	D19/43
D430,609 S *	9/2000	Keda	D19/57

D444,502 S *	7/2001	Luntz	D19/84
D484,188 S *	12/2003	Cetera	D19/51
D487,776 S *	3/2004	Keda	D19/57
D489,407 S *	5/2004	Keda	D19/51
D503,741 S *	4/2005	Pellissa Beneyto	D19/51
D509,536 S *	9/2005	Nishida	D19/43
D523,083 S *	6/2006	Furlong et al.	D19/57
D547,802 S *	7/2007	Jeon	D19/43

OTHER PUBLICATIONS

U.S. Appl. No. 29/284,104, Bhavnani.

U.S. Appl. 29/295,641, Bhavnani

* cited by examiner

Primary Examiner—Elizabeth A Albert

(74) *Attorney, Agent, or Firm*—The Soni Law Firm

(57) **CLAIM**

The ornamental design for a pen cap and clip, as shown and described.

DESCRIPTION

FIG. 1 is a front bottom side perspective view of the pen cap and clip showing my new design;

FIG. 2 is a front elevational view thereof;

FIG. 3 is a right elevational view thereof;

FIG. 4 is a left elevational view thereof;

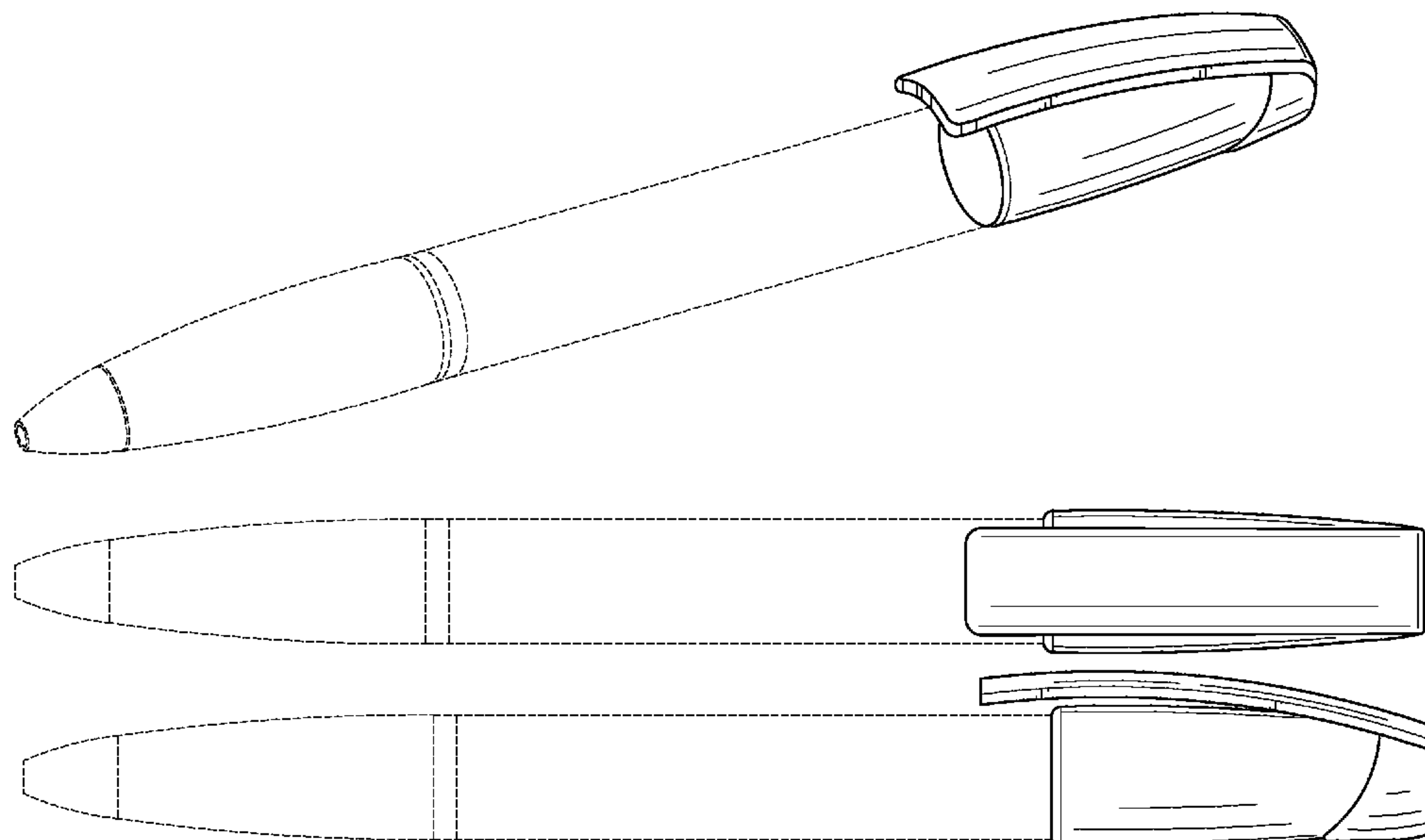
FIG. 5 is a back elevational view thereof;

FIG. 6 is a bottom plan view thereof; and,

FIG. 7 is a top plan view thereof.

The broken lines depicting environmental structure are for illustrative purposes only and form no part of the claimed design.

1 Claim, 2 Drawing Sheets



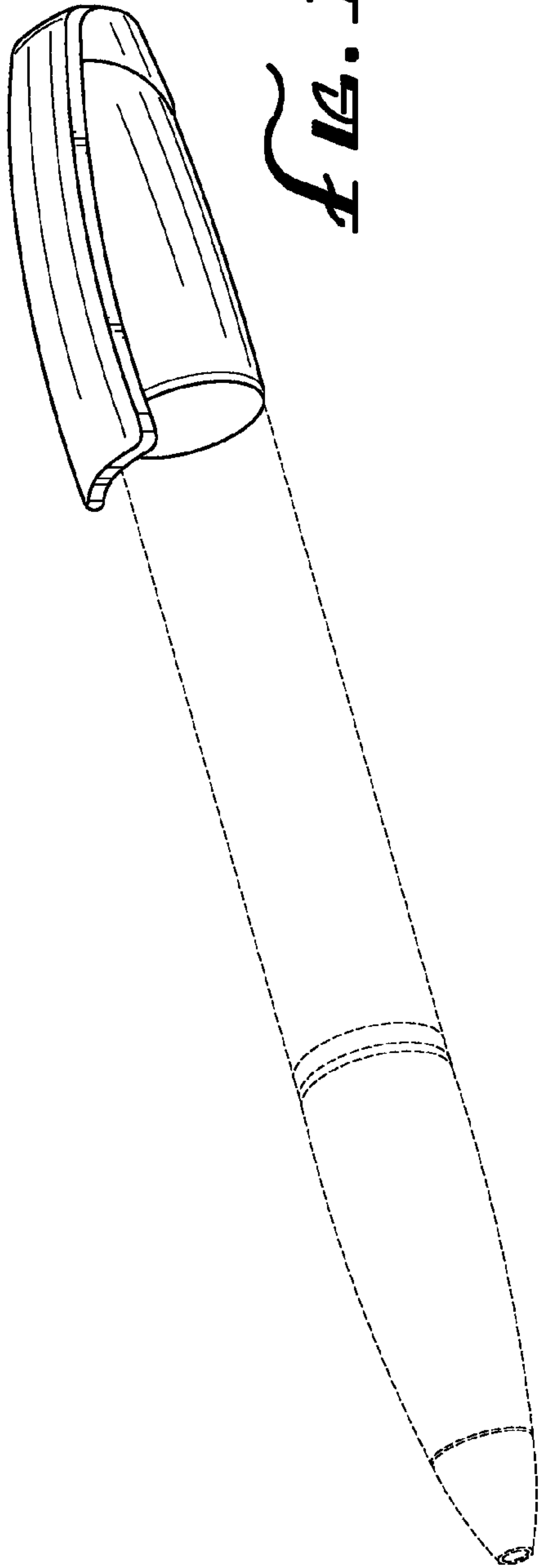


FIG. 1

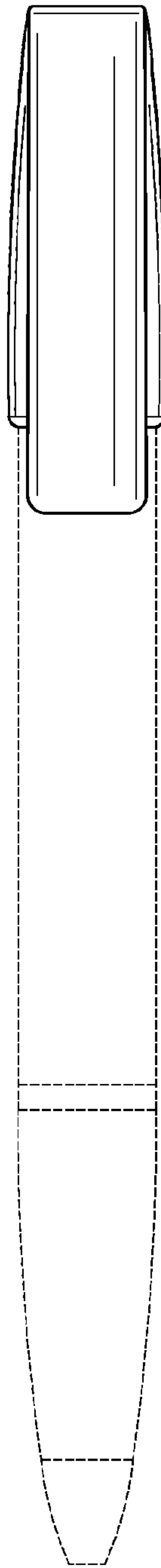


FIG. 2

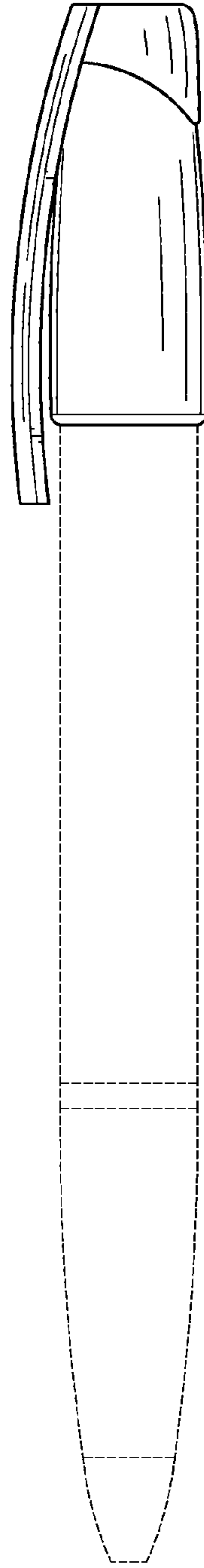


FIG. 3



FIG. 1

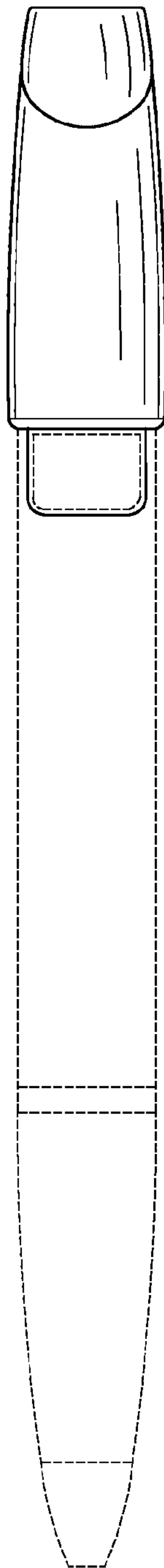


FIG. 5

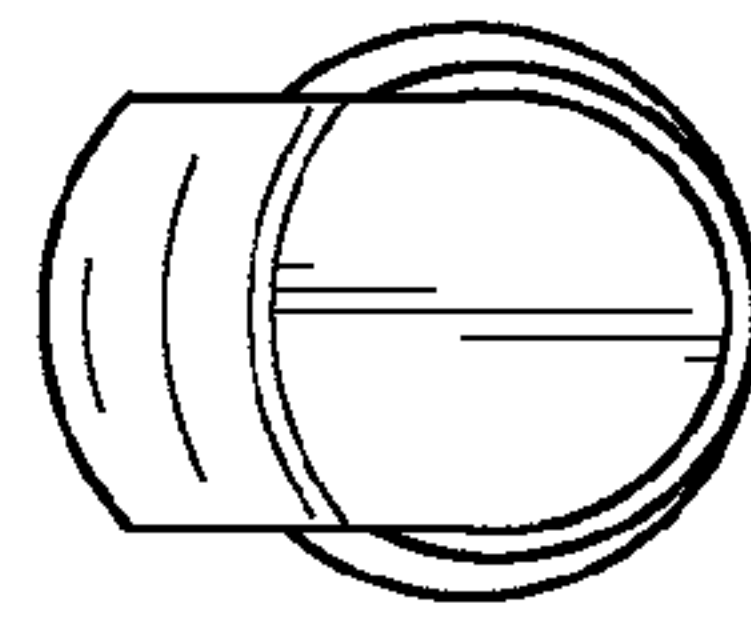


FIG. 7

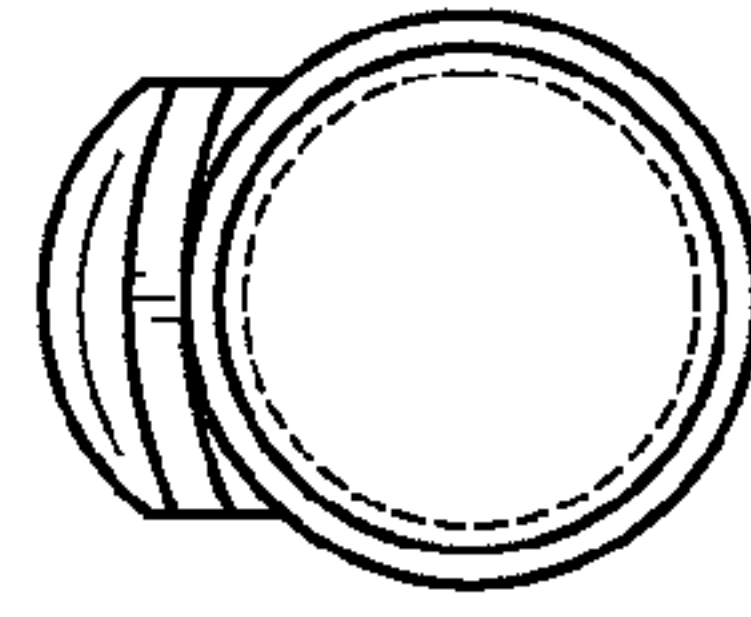


FIG. 8