



US00D569435S

(12) **United States Design Patent**
Cetera

(10) **Patent No.:** **US D569,435 S**

(45) **Date of Patent:** **** May 20, 2008**

(54) **PEN CLIP**

(75) Inventor: **Carl Cetera**, Tenafly, NJ (US)

(73) Assignee: **Cotapaxi Custom Design and Manufacturing, LLC**, Carlstadt, NJ (US)

(**) Term: **14 Years**

(21) Appl. No.: **29/249,573**

(22) Filed: **Oct. 12, 2006**

Related U.S. Application Data

(62) Division of application No. 29/246,281, filed on Mar. 29, 2006, now Pat. No. Des. 553,681.

(51) **LOC (8) Cl.** **19-06**

(52) **U.S. Cl.** **D19/56**

(58) **Field of Classification Search** D19/35, D19/36, 41-51, 53-57; 24/11 R, 11 F, 11 P; 401/52, 99, 100, 104, 105, 106, 107, 108, 401/109, 192, 195, 196

See application file for complete search history.

(56) **References Cited**

U.S. PATENT DOCUMENTS

D366,498 S *	1/1996	Abe et al.	D19/51
D400,581 S *	11/1998	Hasegawa	D19/51
D401,967 S *	12/1998	Tam	D19/36
D430,210 S *	8/2000	Shimizu	D19/51
D436,127 S *	1/2001	Hung	D19/43
D441,793 S *	5/2001	Takemura	D19/51
D482,067 S *	11/2003	Yang	D19/50
D495,003 S	8/2004	Cetera		
D499,762 S *	12/2004	Shova et al.	D19/43
D501,030 S *	1/2005	Lecce	D19/51
D501,509 S *	2/2005	Lecce	D19/51
D501,512 S *	2/2005	Shova et al.	D19/66

D504,153 S *	4/2005	Yang	D19/43
D509,536 S *	9/2005	Nishida	D19/43
D532,821 S *	11/2006	Banderet	D19/51
D536,035 S	1/2007	Cetera		
D540,383 S *	4/2007	Nishida	D19/43

FOREIGN PATENT DOCUMENTS

DE DM/047097 * 12/1998

* cited by examiner

Primary Examiner—Elizabeth A. Albert

(74) *Attorney, Agent, or Firm*—The Soni Law Firm

(57) **CLAIM**

The ornamental design for a pen clip, as shown and described.

DESCRIPTION

FIG. 1 is a front bottom side perspective view of a pen clip showing my new design, with the phantom lines depicting environmental structure and forming no part of the claimed design;

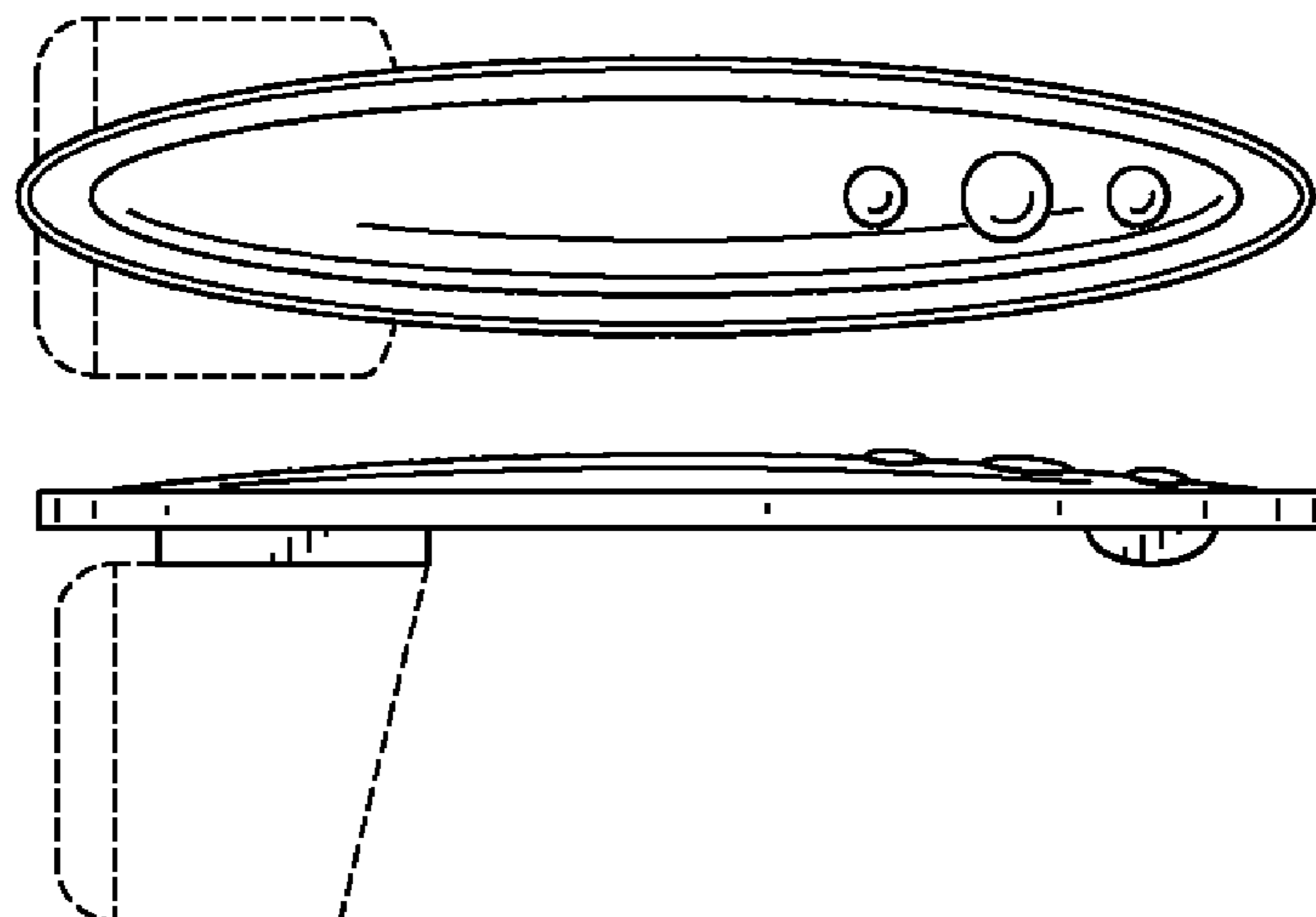
FIG. 2 is a front elevational view thereof with the phantom lines depicting environmental structure and forming no part of the claimed design;

FIG. 3 is a left side elevational view thereof which is a mirror image of the right side thereof with the phantom lines depicting environmental structure and forming no part of the claimed design;

FIG. 4 is a bottom plan view thereof with the phantom lines depicting environmental structure and forming no part of the claimed design; and,

FIG. 5 is a top plan view thereof with the phantom lines depicting environmental structure and forming no part of the claimed design.

1 Claim, 1 Drawing Sheet



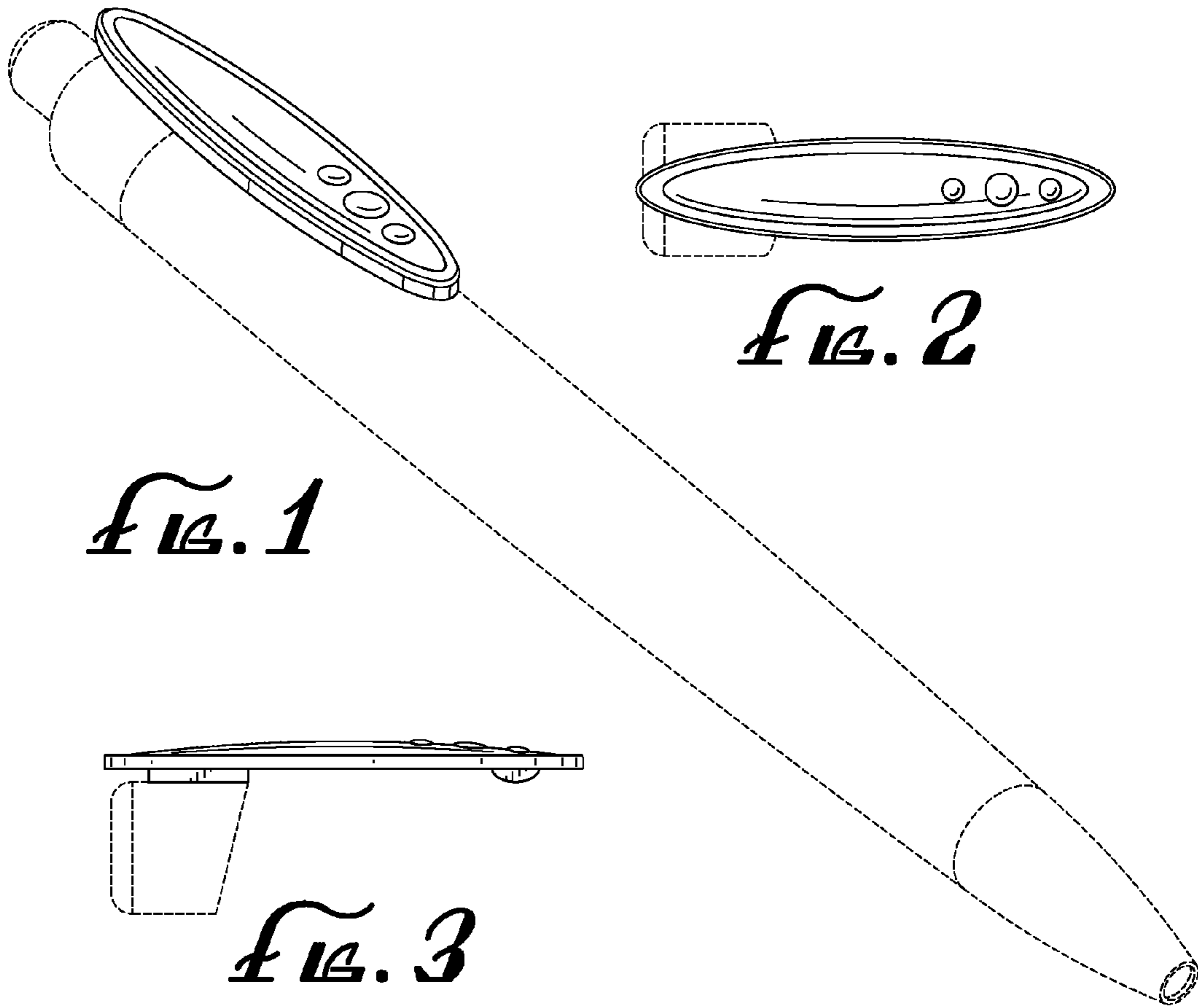


FIG. 1

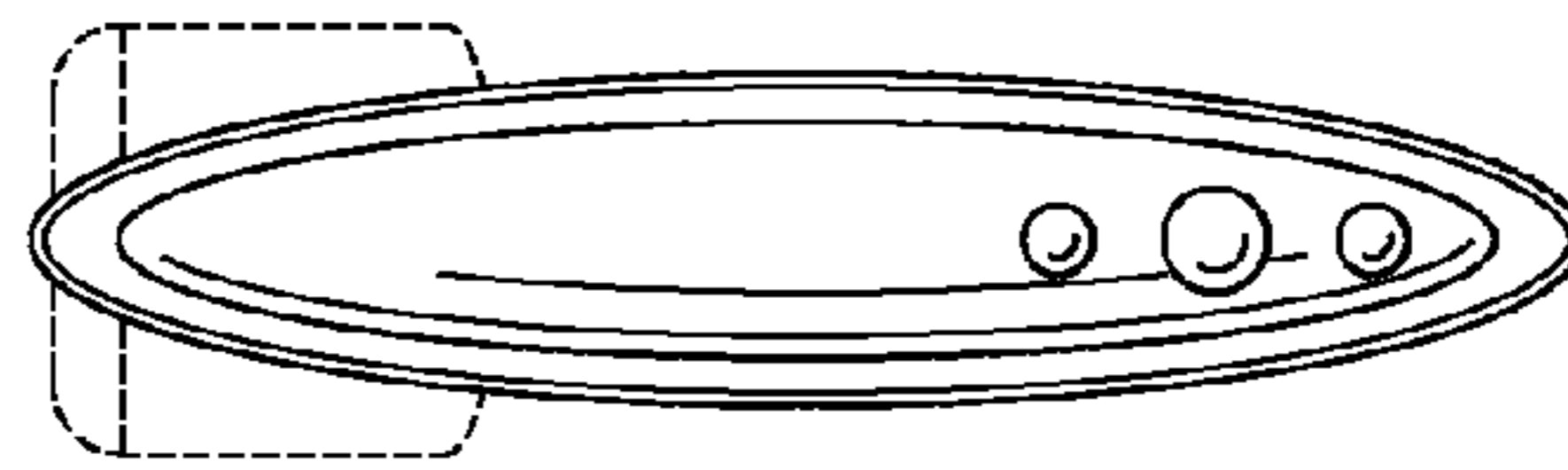


FIG. 2

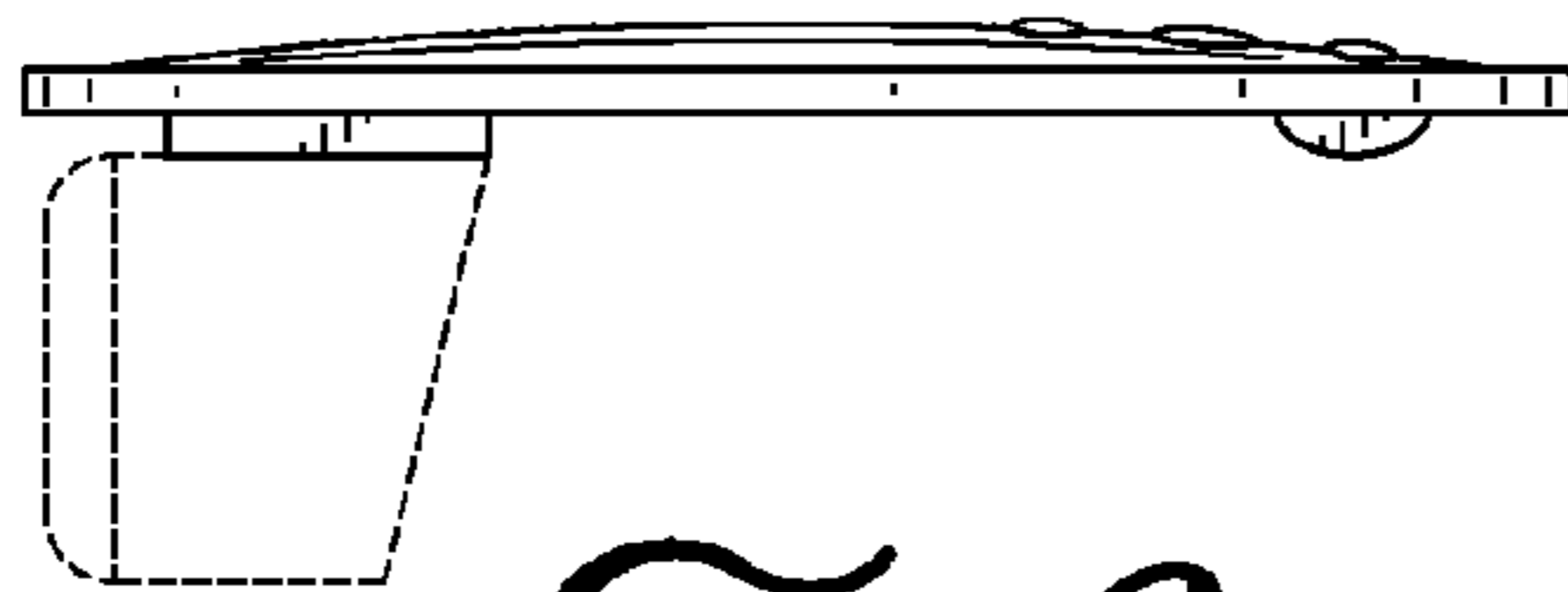


FIG. 3

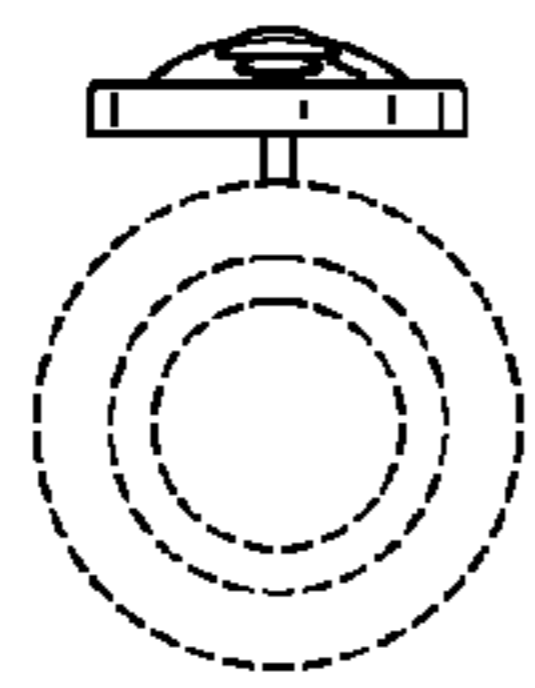


FIG. 4

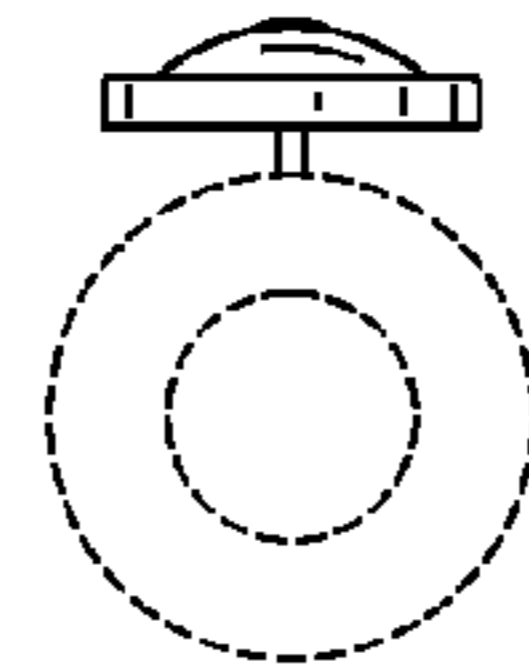


FIG. 5